



US00D360403S

United States Patent [19]

[11] Patent Number: **Des. 360,403**

Jaag et al.

[45] Date of Patent: **** Jul. 18, 1995**

[54] **ADAPTER**

4,379,609 4/1983 Hardesty 430/344
5,328,390 7/1994 Johnston et al. 439/676 X

[75] Inventors: **Dietr Jaag**, Villingen; **Karl Müller**,
Donaueschingen; **Hermann Stadler**,
Bad Dürkheim, all of Germany

FOREIGN PATENT DOCUMENTS

256850 11/1986 Japan 439/620

[73] Assignee: **BTR Blumberger Telefon-und
Relaisbau Albert Metz**, Blumberg,
Germany

Primary Examiner—Joel Sincavage
Attorney, Agent, or Firm—Eugene E. Renz, Jr.

[**] Term: **14 Years**

[57] **CLAIM**

The ornamental design for an adapter, as shown and described.

[21] Appl. No.: **20,676**

[22] Filed: **Mar. 30, 1994**

DESCRIPTION

[30] **Foreign Application Priority Data**

Oct. 8, 1993 [DE] Germany M9307813.7

FIG. 1 is a perspective view of my design for an adapter all in accordance with the invention;

[52] U.S. Cl. **D13/147; D14/256**

FIG. 2 is a top plan view of my design for an adapter all in accordance with the invention;

[58] Field of Search **D13/133, 146, 147;
D14/256; 439/344, 620, 676**

FIG. 3 is a front elevational view of the adapter shown in FIG. 1, the back elevational view being the same due to the symmetrical design of the adapter.

[56] **References Cited**

U.S. PATENT DOCUMENTS

D. 290,457 6/1987 Clark et al. D14/256
D. 293,433 12/1987 Brooks et al. D13/146
D. 313,970 1/1991 Reeves D13/147
D. 321,503 11/1991 Ditzig D13/133

FIG. 4 is a bottom plan view of the adapter shown in FIG. 1;

FIG. 5 is a rear elevational plan view of the adapter shown in FIG. 1; and,

FIG. 6 is a front elevational view of the adapter shown in FIG. 1.

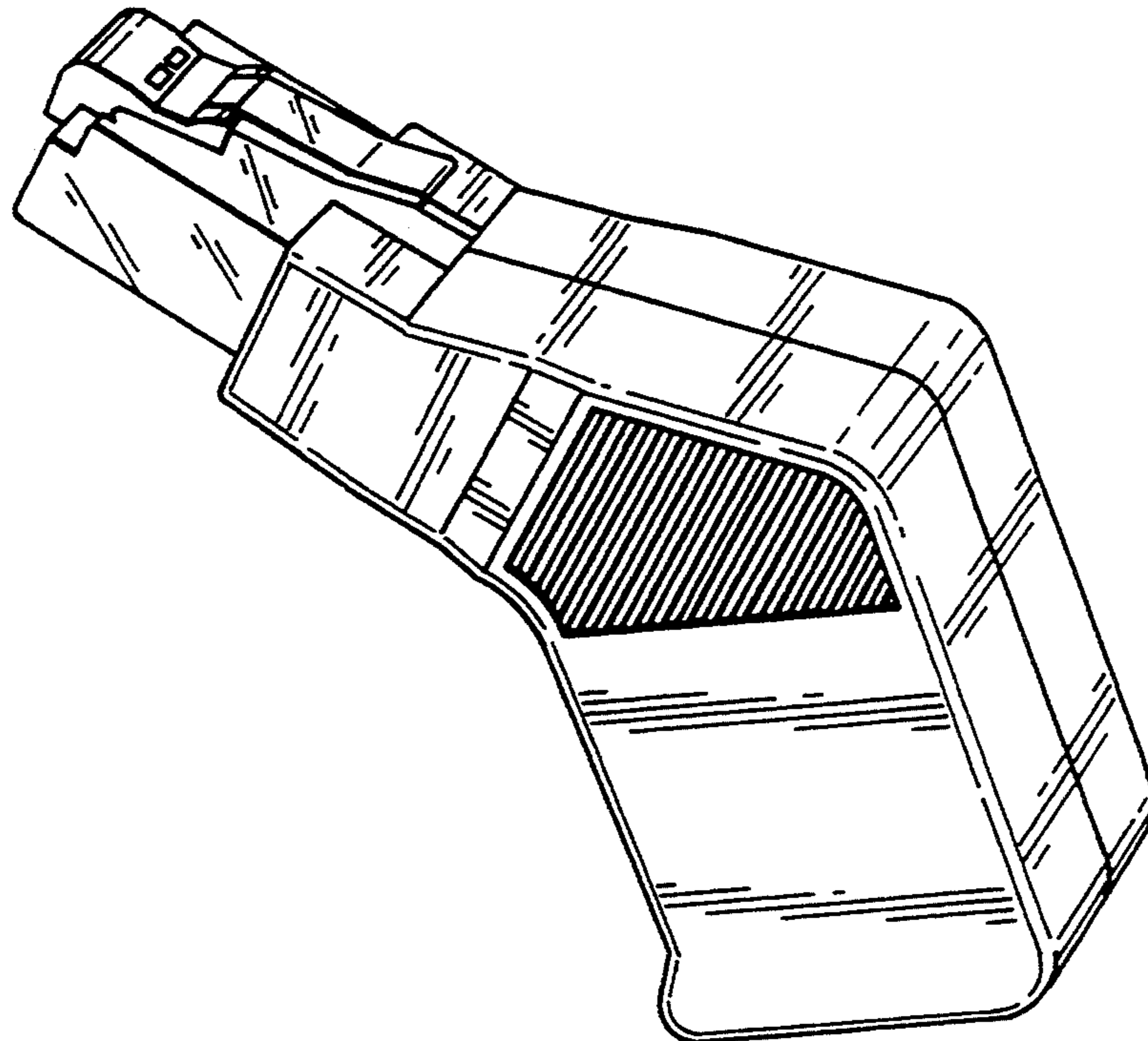
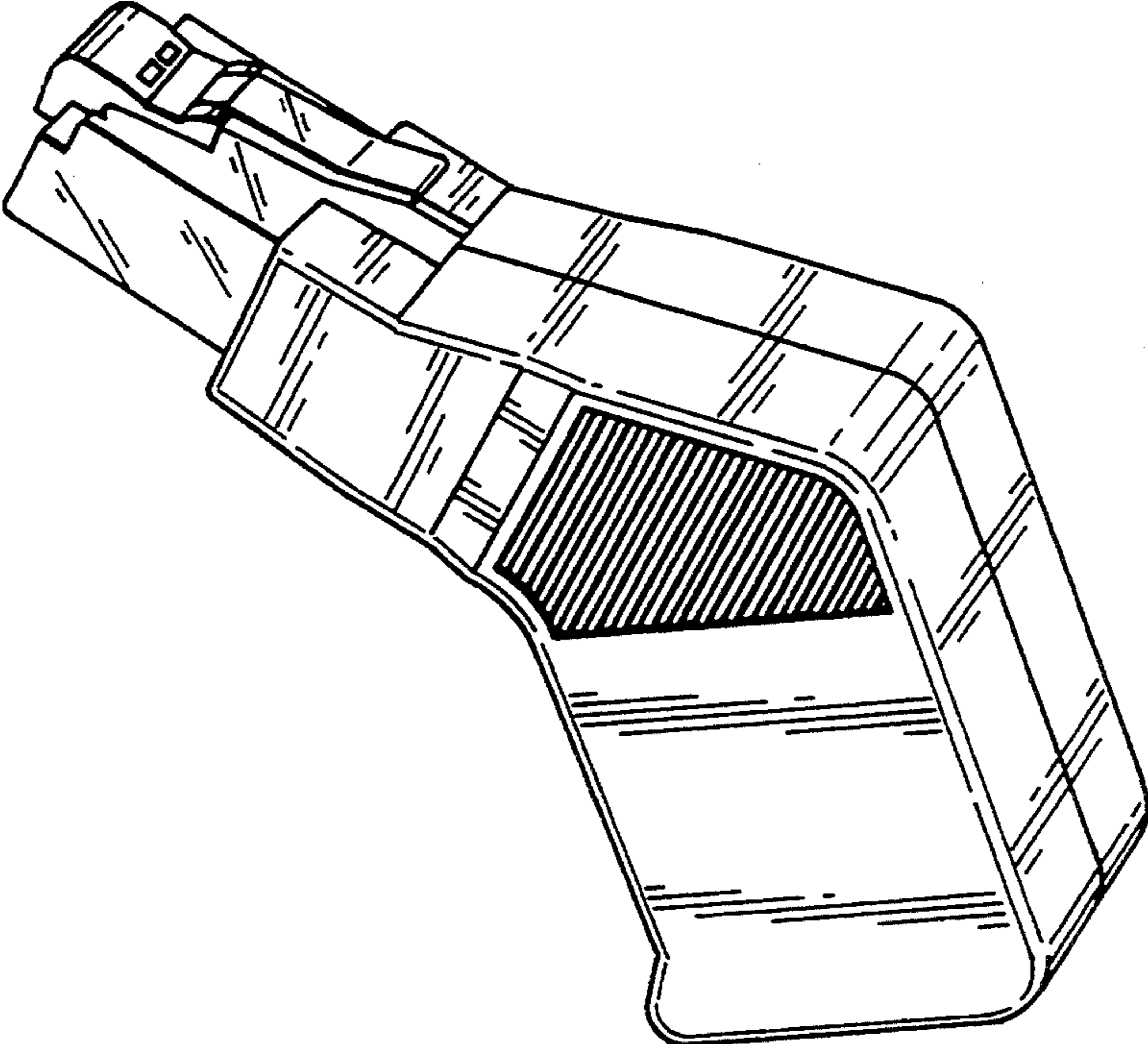


FIG. 1



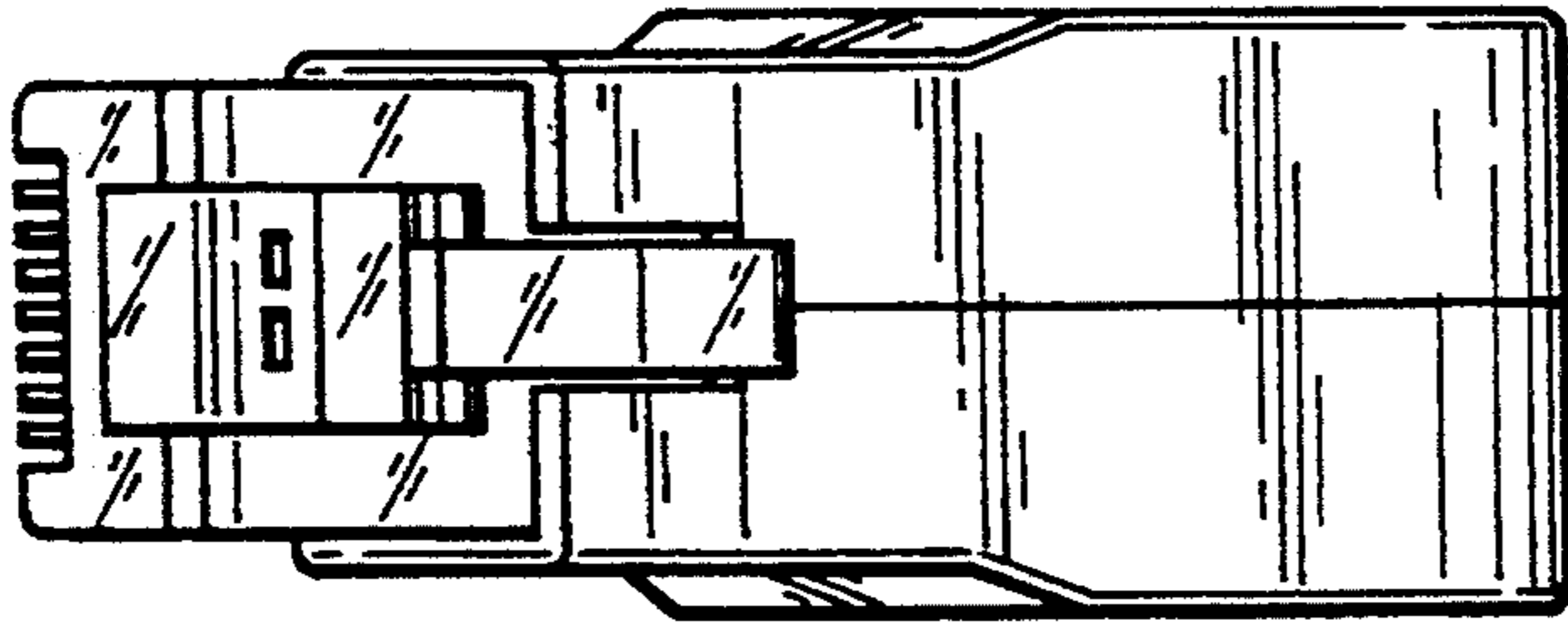


FIG. 2

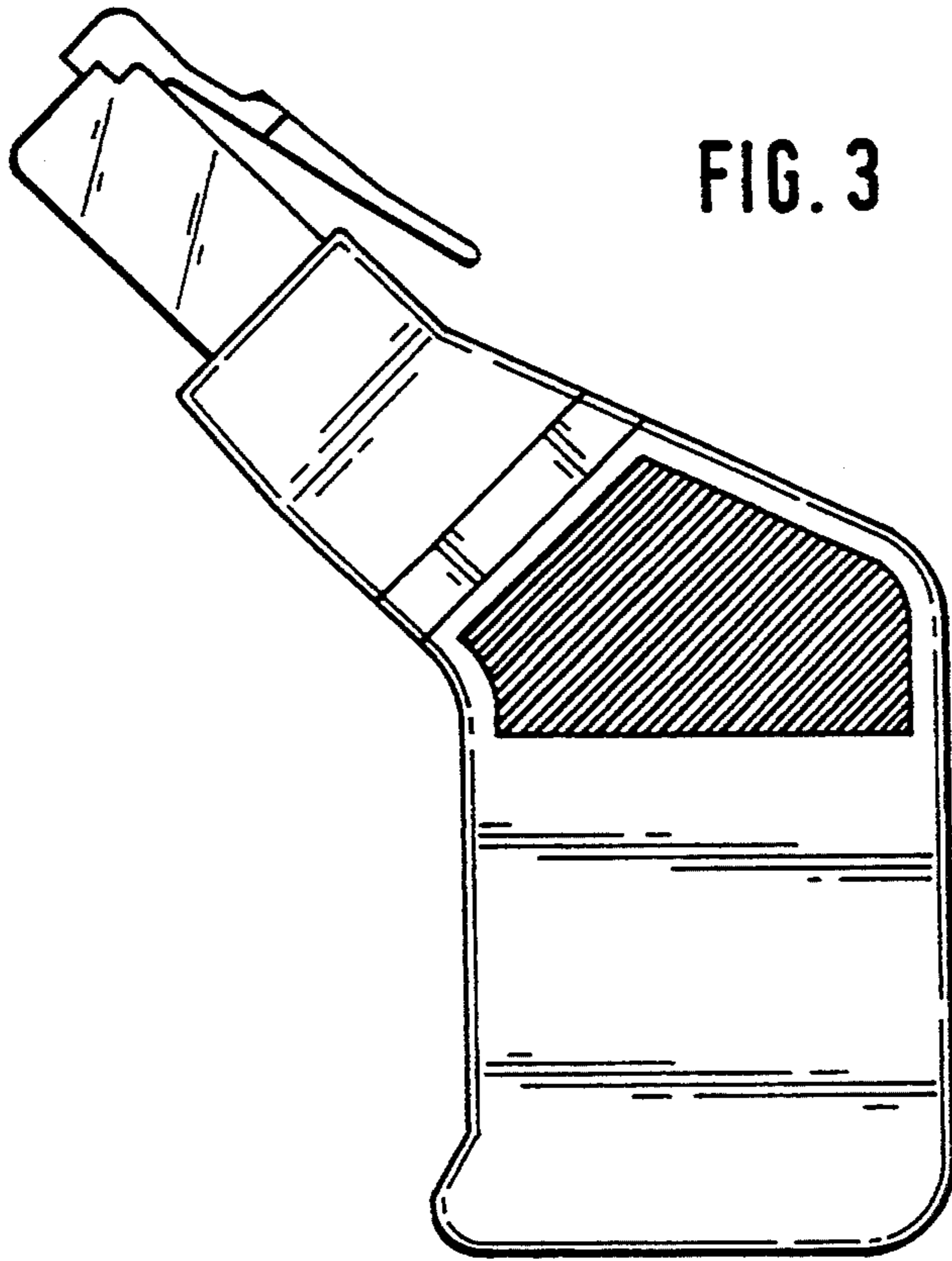


FIG. 3

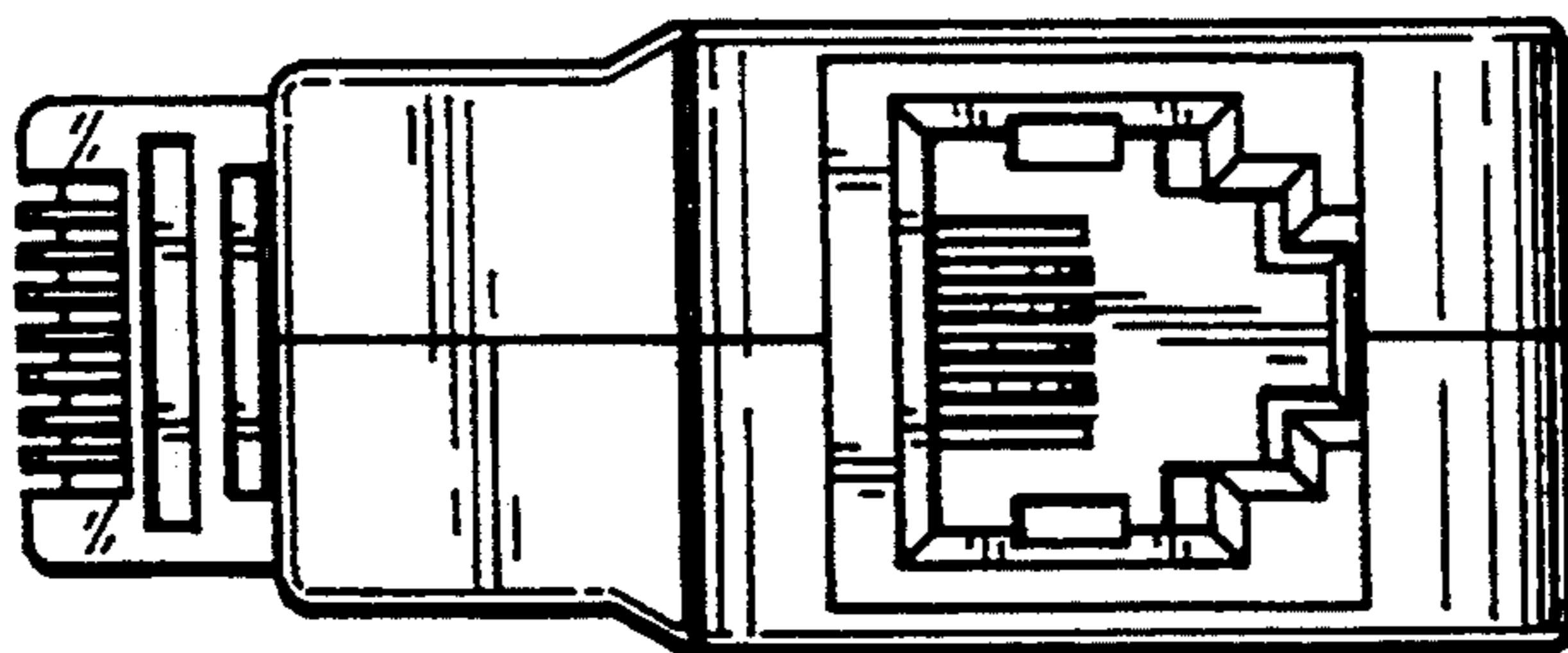


FIG. 4

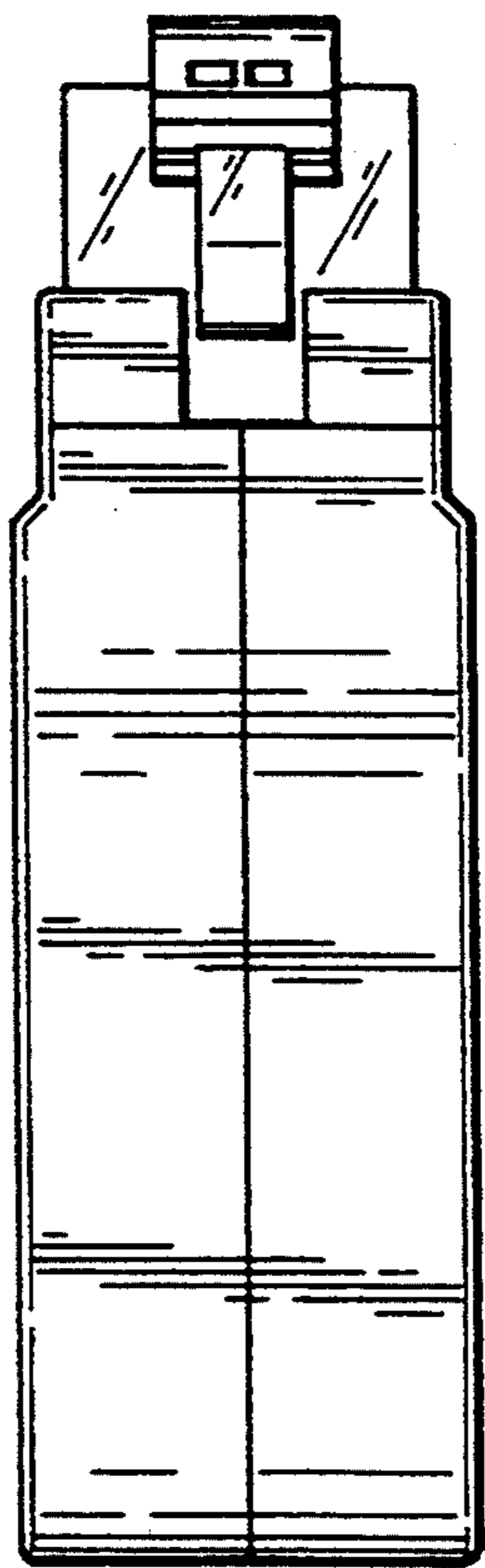


FIG. 5

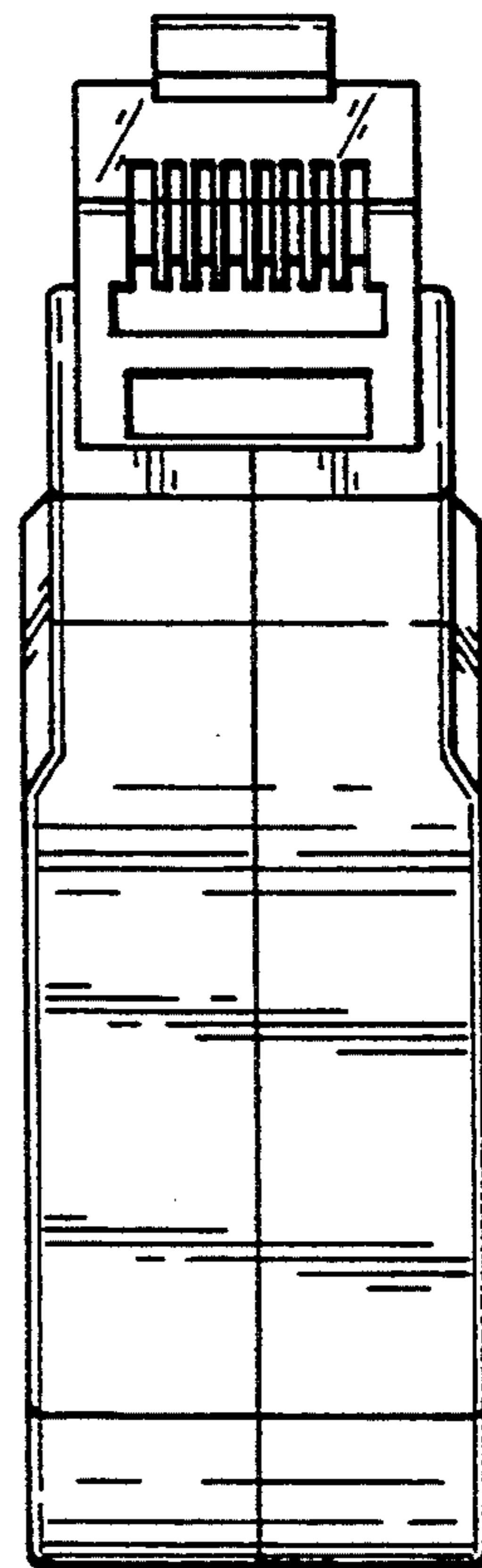


FIG. 6

UNITED STATES PATENT AND TRADEMARK OFFICE
CERTIFICATE OF CORRECTION

PATENT NO. : Des. 360,403
DATED : July 18, 1995
INVENTOR(S) : Dieter Jaag, et al.

It is certified that error appears in the above-identified patent and that said Letters Patent is hereby corrected as shown below:

On the Title page, item [75];

Inventors: "Dietr Jaag" should be --Dieter Jaag--

Signed and Sealed this
Tenth Day of October, 1995



BRUCE LEHMAN

Commissioner of Patents and Trademarks

Attest:

Attesting Officer