



US00D360398S

# United States Patent [19]

[11] Patent Number: **Des. 360,398**

Nagele et al.

[45] Date of Patent: **\* Jul. 18, 1995**

[54] **CHARGING BASE FOR A CORDLESS TELEPHONE**

[75] Inventors: **Albert L. Nagele, Wilmette; Terrance N. Taylor, Cary, both of Ill.**

[73] Assignee: **Motorola, Inc., Schaumburg, Ill.**

[\*] Notice: The portion of the term of this patent subsequent to Nov. 2, 2007 has been disclaimed.

[\*\*] Term: **14 Years**

[21] Appl. No.: **4,473**

[22] Filed: **Jan. 11, 1993**

### Related U.S. Application Data

[63] Continuation-in-part of Ser. No. 684,345, Apr. 11, 1991, Pat. No. Des. 340,906.

[52] U.S. Cl. .... **D13/108; D14/149**

[58] Field of Search ..... **D13/107, 108; D14/137, D14/138, 140, 142, 149-151, 240, 241; 320/2-5; 379/58-61, 419, 420, 428, 434, 440**

### References Cited

#### U.S. PATENT DOCUMENTS

- D. 285,555 9/1986 Fukutani ..... D14/138
- D. 288,561 3/1987 Bond ..... D14/138
- D. 305,119 12/1989 Pfeifer et al. .... D14/142
- D. 307,008 4/1990 Shaanan et al. .... D14/149 X

- D. 322,436 12/1991 Myoga ..... D14/138
- D. 327,247 6/1992 Higuchi et al. .... D13/108
- D. 339,564 9/1993 Nagele et al. .... D13/108
- D. 340,906 11/1993 Nagele et al. .... D13/108

### OTHER PUBLICATIONS

Cordless phone bases on p. 348 of *B. A. Pargh Company, Inc.* 1989 catalog.

Chicago Tribune; Jun. 3, 1991; section 4, p. 10. Northwestern Bell Excursion 3100, AT & T Cordless Telephone 4600, and Code-A-Phone #7210 Cordless Telephone/Answering Machine.

Primary Examiner—Jeffrey Asch

Attorney, Agent, or Firm—Rolland R. Hackbart; John J. King

### [57] CLAIM

The ornamental design for a charging base for a cordless telephone, as shown and described.

### DESCRIPTION

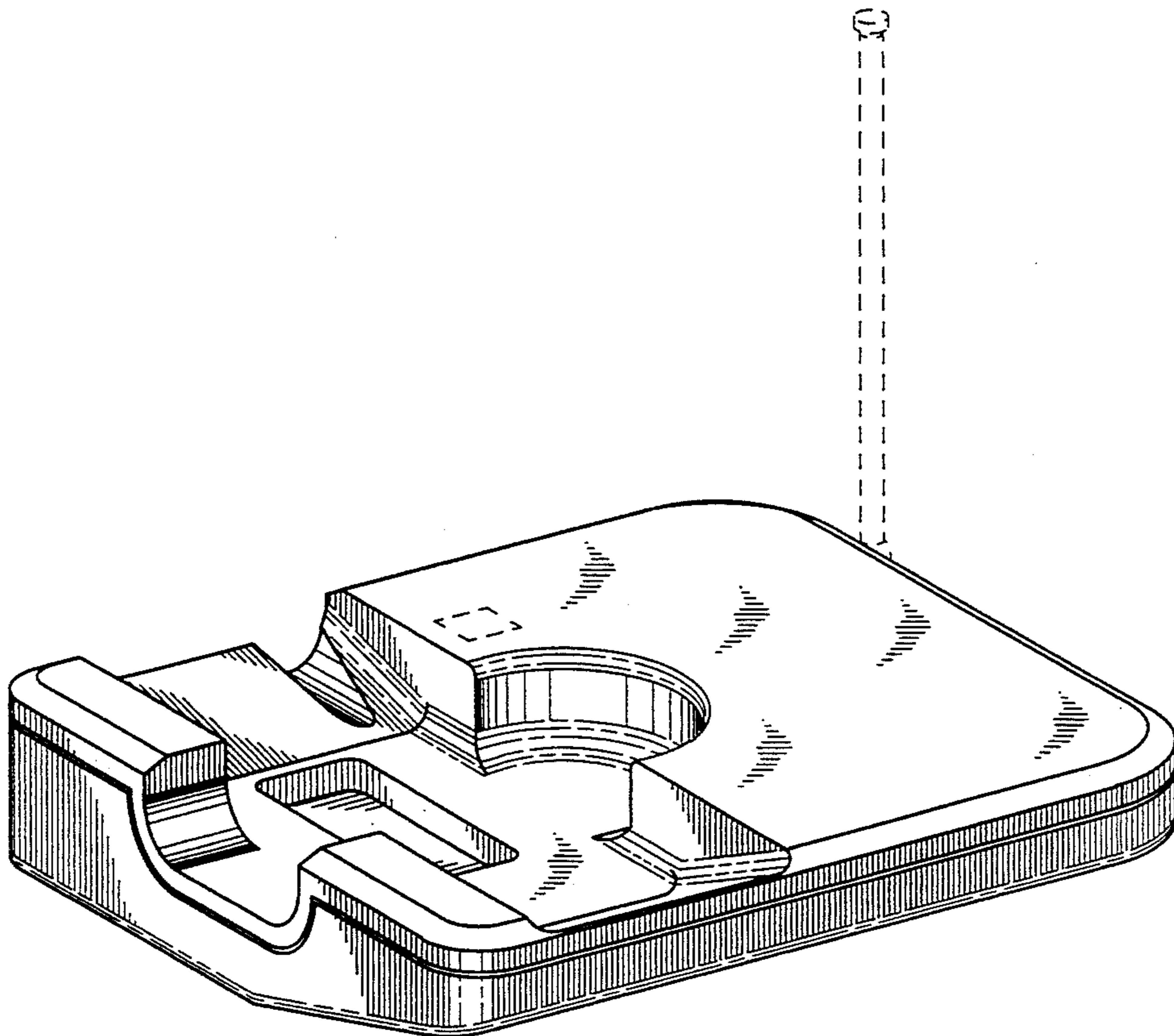
FIG. 1 is a front and upper left perspective view of a charging base for a cordless telephone showing our new design;

FIG. 2 is a right side elevational view;

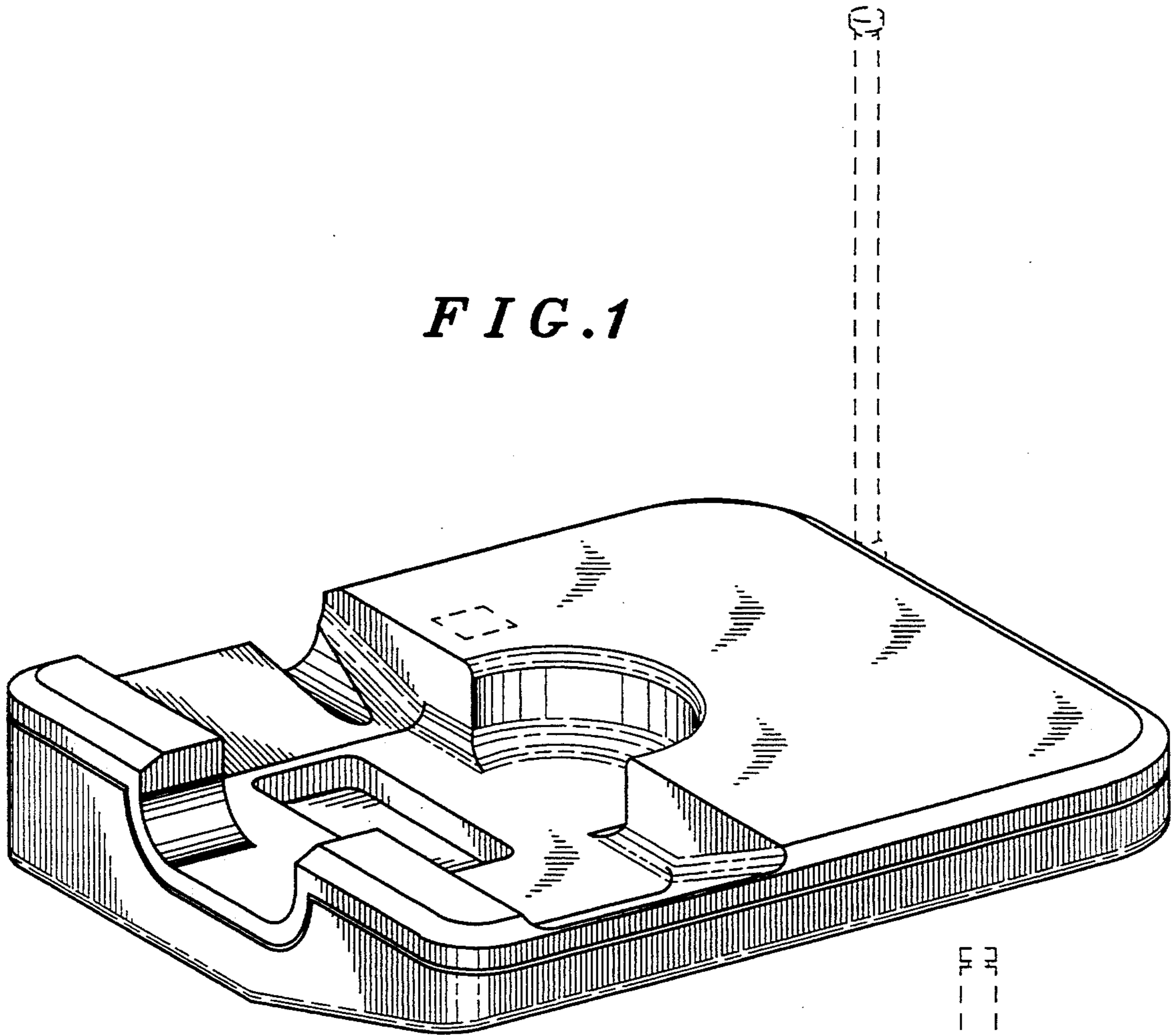
FIG. 3 is a rear elevational view; and,

FIG. 4 is a bottom plan view thereof.

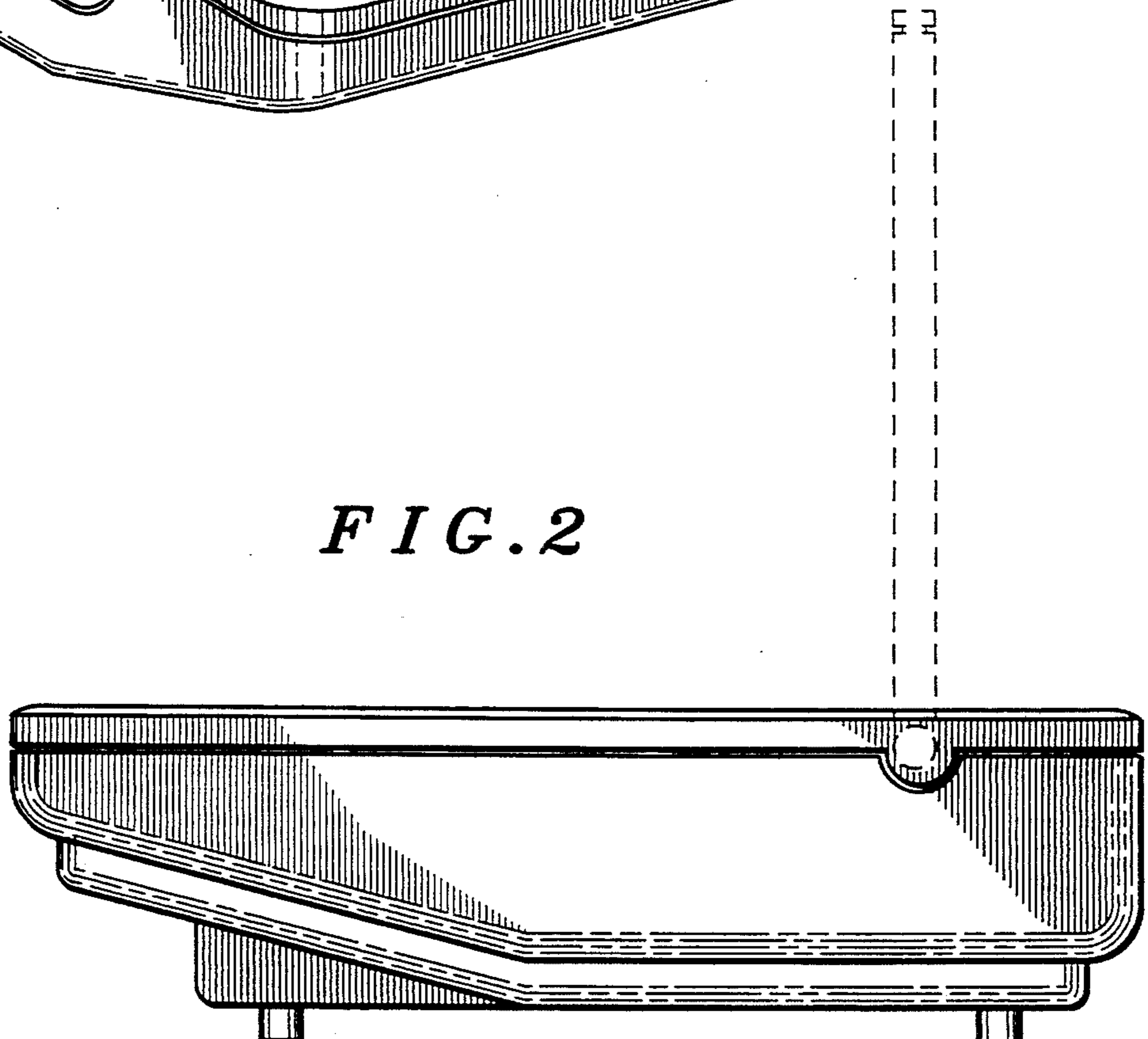
The broken lines shown throughout the views are for illustrative purposes only and form no part of the claimed design.



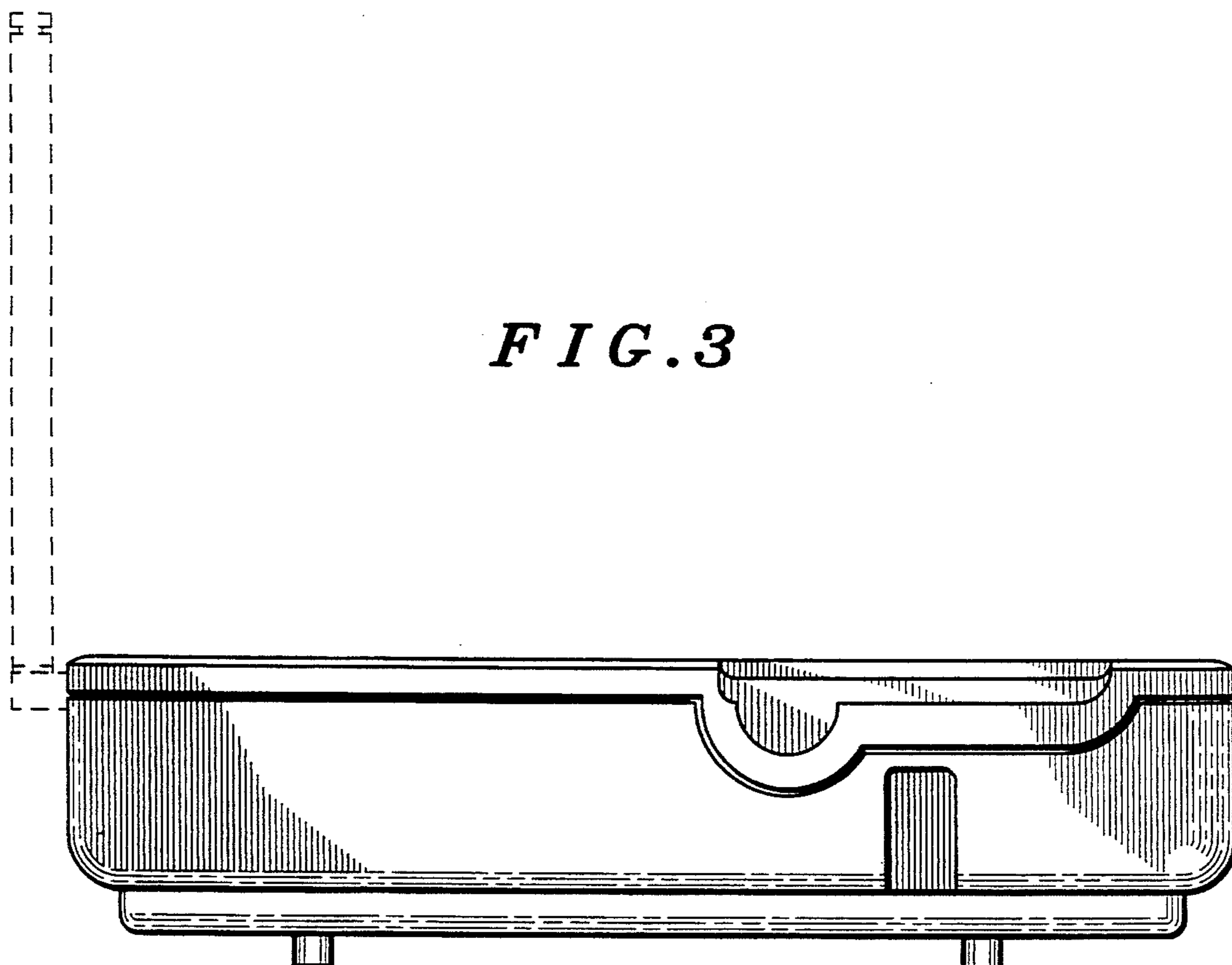
*FIG. 1*



*FIG. 2*



*FIG. 3*



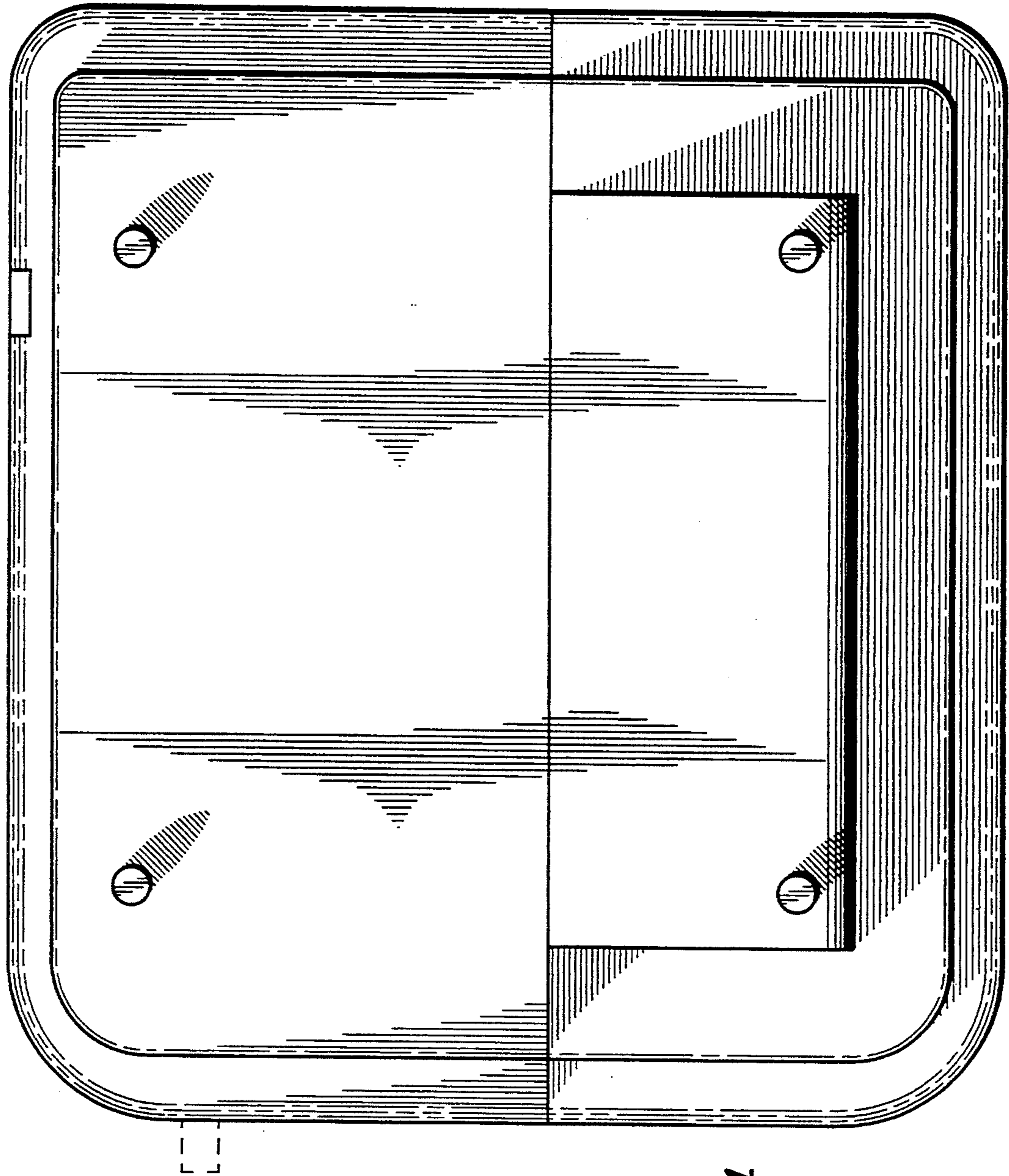


FIG. 4