



US00D360392S

United States Patent [19]

[11] Patent Number: **Des. 360,392**

Lewandowski

[45] Date of Patent: **** Jul. 18, 1995**

[54] **DOUBLE STROLLER**

[75] Inventor: **Mark S. Lewandowski**, White Bear Lake, Minn.

[73] Assignee: **Smarte Carte, Inc.**, St. Paul, Minn.

[**] Term: **14 Years**

[21] Appl. No.: **21,571**

[22] Filed: **Apr. 28, 1994**

[52] U.S. Cl. **D12/129; D34/20**

[58] Field of Search **D12/128, 129; D34/17-22; 280/47.35, DIG. 4, 3, 33, 993, 79.3, 648, 650, 643, 642, 42**

FOREIGN PATENT DOCUMENTS

2615155A 11/1988 France .

OTHER PUBLICATIONS

Stretch™ Tandem Stroller Product Literature (#51) (1992).

Primary Examiner—Kay H. Chin
Attorney, Agent, or Firm—Merchant, Gould, Smith, Edell, Welter & Schmidt

[57] **CLAIM**

The ornamental design for double stroller, as shown and described.

[56] **References Cited**

U.S. PATENT DOCUMENTS

| | | | | |
|------------|---------|---------------------|-------|------------|
| D. 321,850 | 11/1991 | Mong-Hsing | | D12/129 |
| 2,443,236 | 6/1948 | Gallagher | | 280/50 |
| 2,993,702 | 7/1961 | Gill | | 280/41 |
| 3,612,603 | 10/1971 | Snyder | | 297/130 |
| 4,542,915 | 9/1985 | Wheeler, III et al. | | 280/642 |
| 5,018,754 | 5/1991 | Cheng | | 280/47.4 |
| 5,184,835 | 2/1993 | Huang | | 280/47.371 |

DESCRIPTION

FIG. 1 is a perspective view of a double stroller showing my new design;
FIG. 2 is a front elevational view;
FIG. 3 is a rear elevational view;
FIG. 4 is a top plan view;
FIG. 5 is a bottom plan view; and,
FIG. 6 is a left side elevational view, the right side elevational view being a mirror image thereof.





FIG. 1

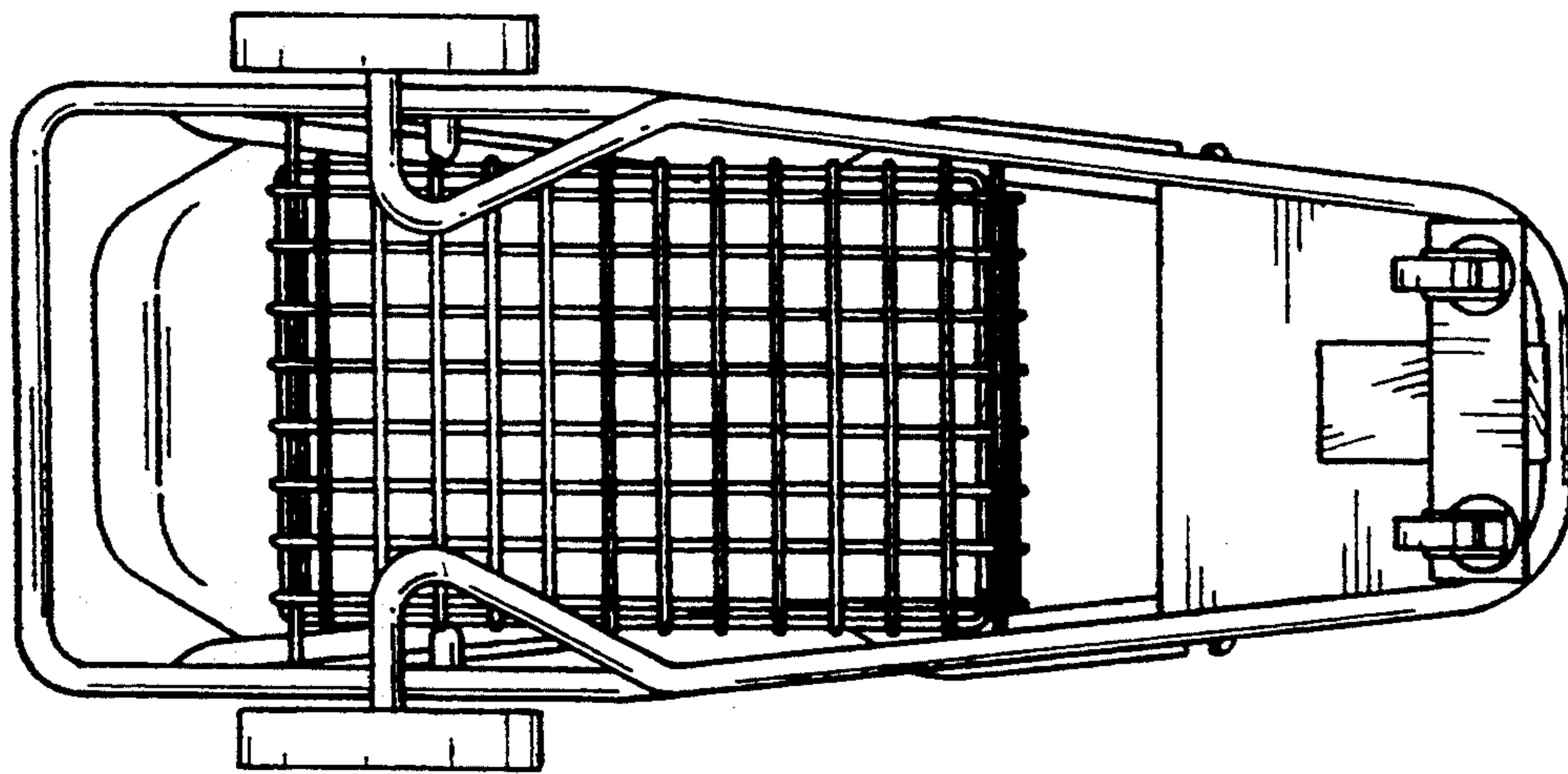


FIG. 5

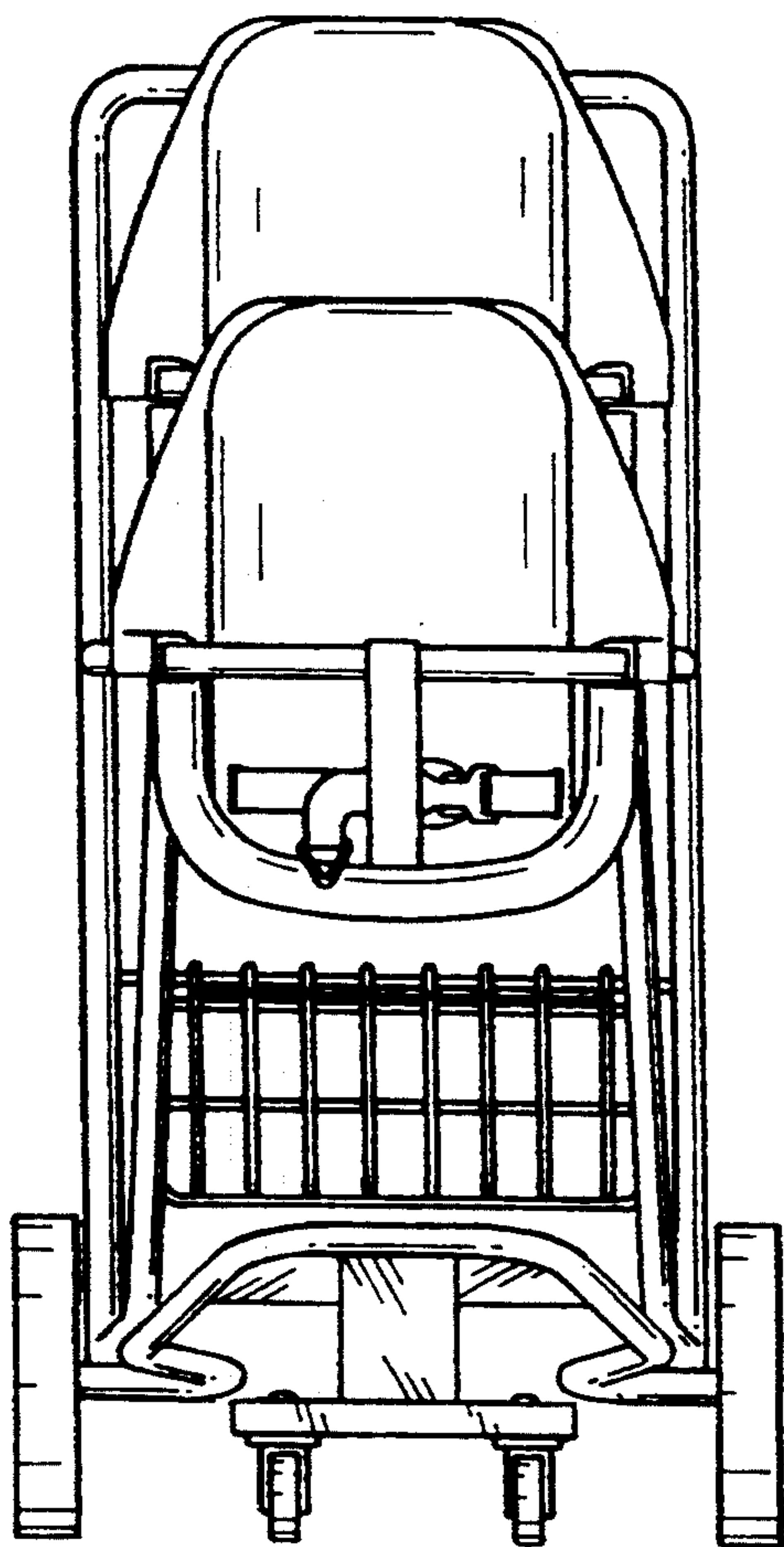


FIG. 2

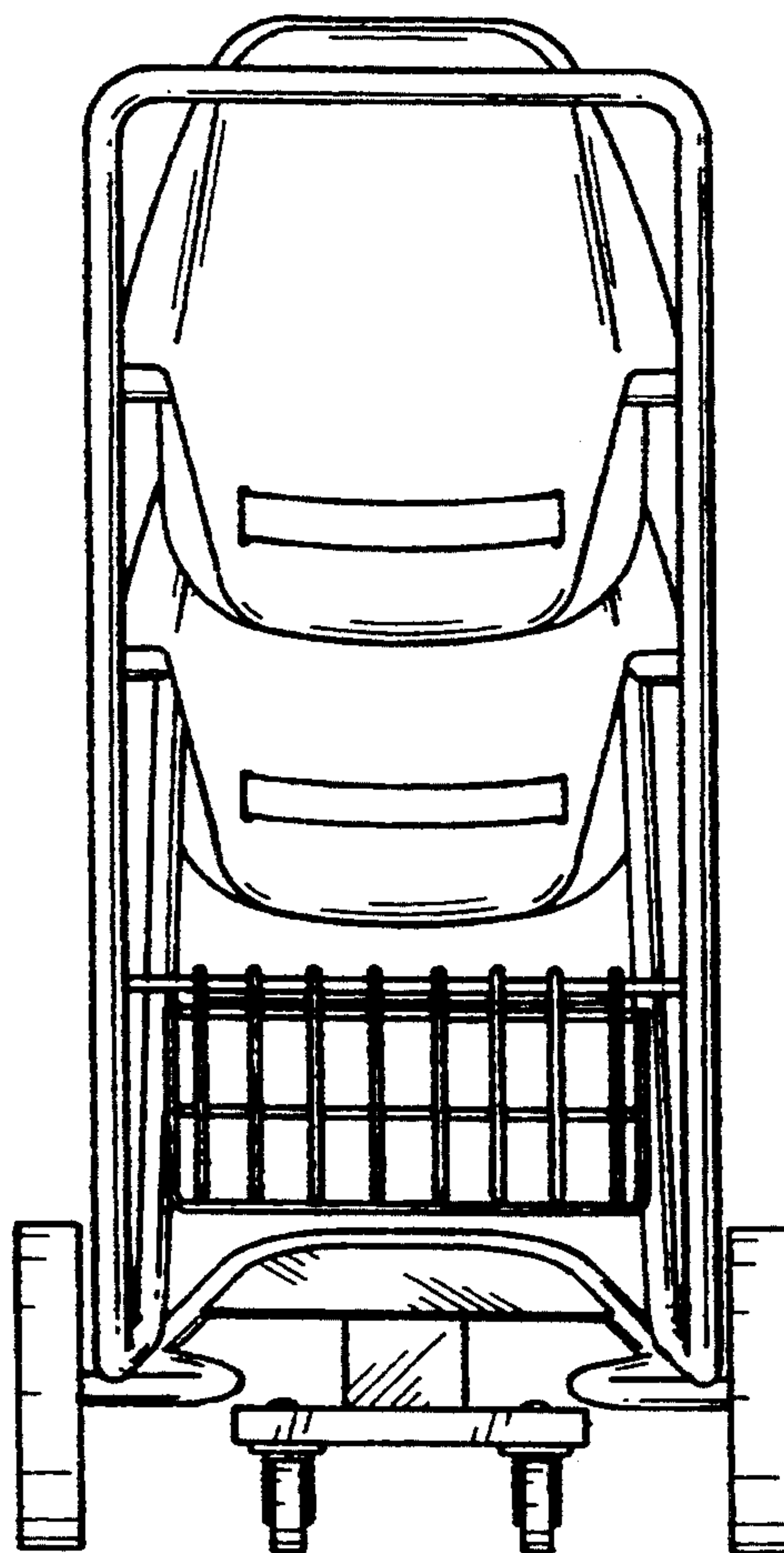


FIG. 3

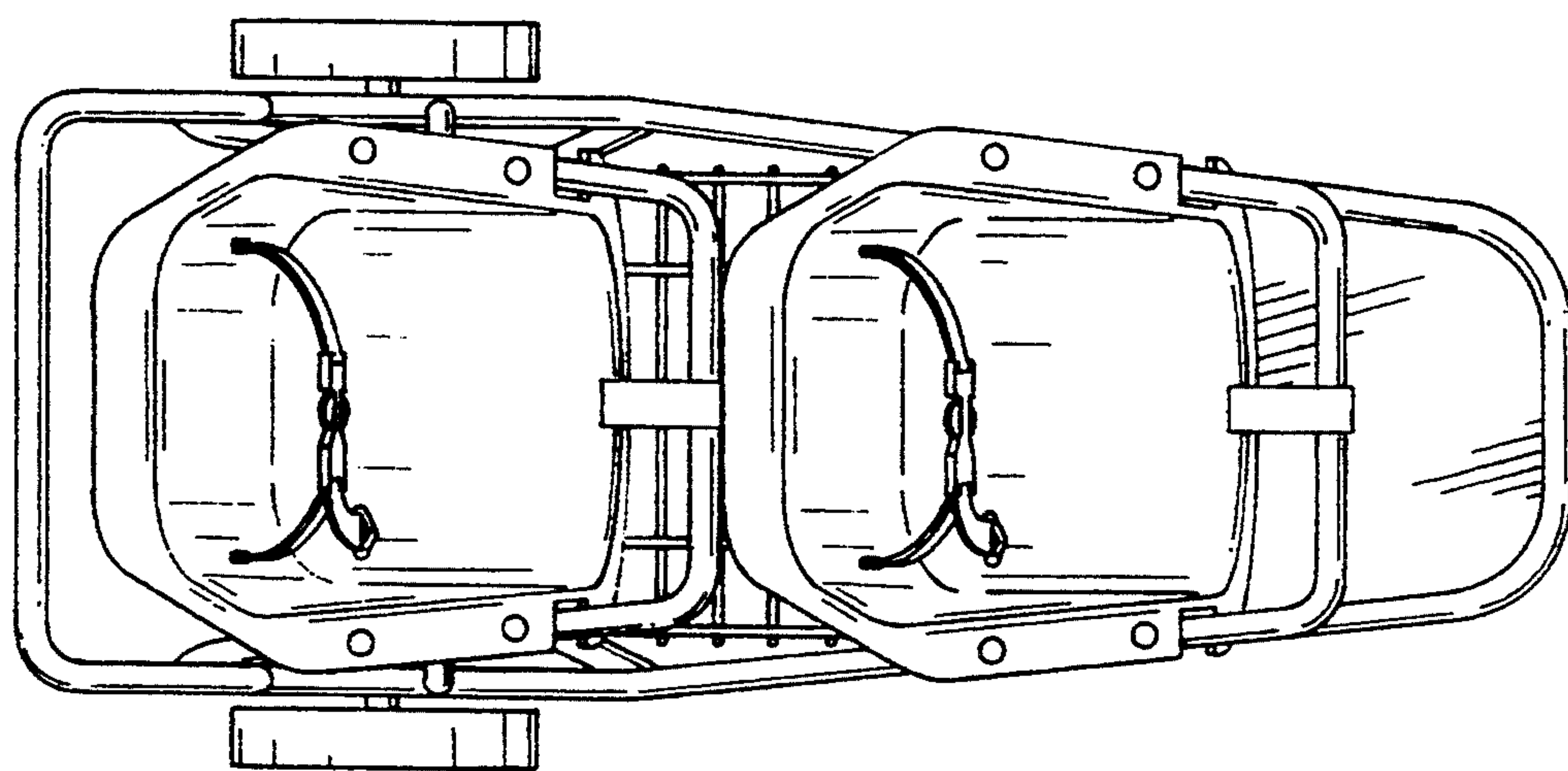


FIG. 4



FIG. 6