



US00D360390S

United States Patent [19]

[11] Patent Number: **Des. 360,390**

Murai

[45] Date of Patent: **** Jul. 18, 1995**

[54] BUCKLE

[75] Inventor: **Ryukichi Murai, Toyama, Japan**

[73] Assignee: **Yoshida Kogyo K.K., Tokyo, Japan**

[**] Term: **14 Years**

[21] Appl. No.: **16,753**

[22] Filed: **Dec. 23, 1993**

[30] Foreign Application Priority Data

Jun. 28, 1993 [JP] Japan 5-19544

[52] U.S. Cl. **D11/216; D11/200**

[58] Field of Search D11/200, 201, 208, 215-218, D11/231-232, 241; 24/631, 633, 641, 616, 170, 305, 69 CT, 69 R, 60 ST, 69 SB

[56] References Cited

U.S. PATENT DOCUMENTS

D. 312,986	12/1990	Bianchi	D11/216
D. 329,210	9/1992	Cullmann	D11/216
D. 343,144	1/1994	Matoba	D11/216
D. 349,871	8/1994	Murai	D11/200
D. 352,680	11/1994	Matoba	D11/200
5,319,836	6/1994	Ida	24/616

Primary Examiner—Ralf T. Seifert

Attorney, Agent, or Firm—Hill, Steadman & Simpson

[57] CLAIM

The ornamental design for buckle, as shown.

DESCRIPTION

FIG. 1 is a front view of a buckle showing my new design;

FIG. 2 is a rear view;

FIG. 3 is a top plan view;

FIG. 4 is a bottom plan view;

FIG. 5 is a right side elevational view;

FIG. 6 is a cross-sectional view taken along the line 6—6 of FIG. 1;

FIG. 7 is a cross-sectional view taken along the line 7—7 of FIG. 2;

FIG. 8 is a front view of the male element of the buckle, the female member being removed for ease of illustration;

FIG. 9 is a rear view of FIG. 8;

FIG. 10 is a top plan view of FIG. 8;

FIG. 11 is a rear view of FIG. 8;

FIG. 12 is a cross-sectional view taken along the line 12—12 of FIG. 8;

FIG. 13 is a right side view of FIG. 8;

FIG. 14 is a cross-sectional view taken along the line 14—14 of FIG. 8;

FIG. 15 is a front view the female element of the buckle in FIG. 1, the male element being removed for ease of illustration;

FIG. 16 is a rear view of FIG. 15;

FIG. 17 is a top plan view of FIG. 15;

FIG. 18 is a bottom plan view of FIG. 15;

FIG. 19 is a right side view of FIG. 15;

FIG. 20 is a cross-sectional view taken along the line 20—20 of FIG. 15;

FIG. 21 is a cross-sectional view taken along the line 21—21 of FIG. 19;

FIG. 22 is a front view of the buckle of FIG. 1 showing the male member angularly moved on the female member; and,

FIG. 23 is an explanatory view of FIG. 6 whereby belt straps have been included, it being understood that the broken line showing of the belt straps are for illustrative purposes only and form no part of the claimed design.

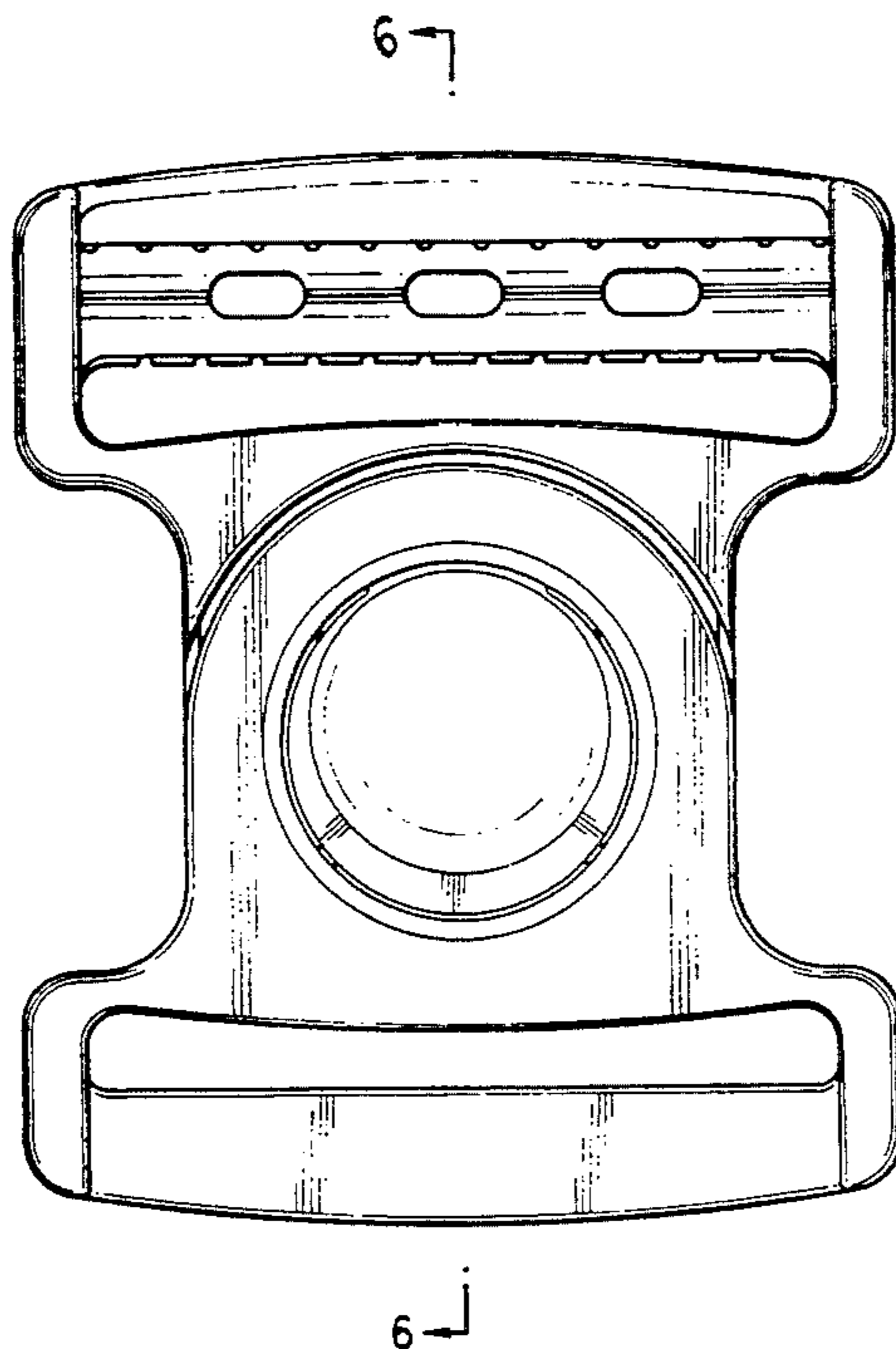


FIG. 1

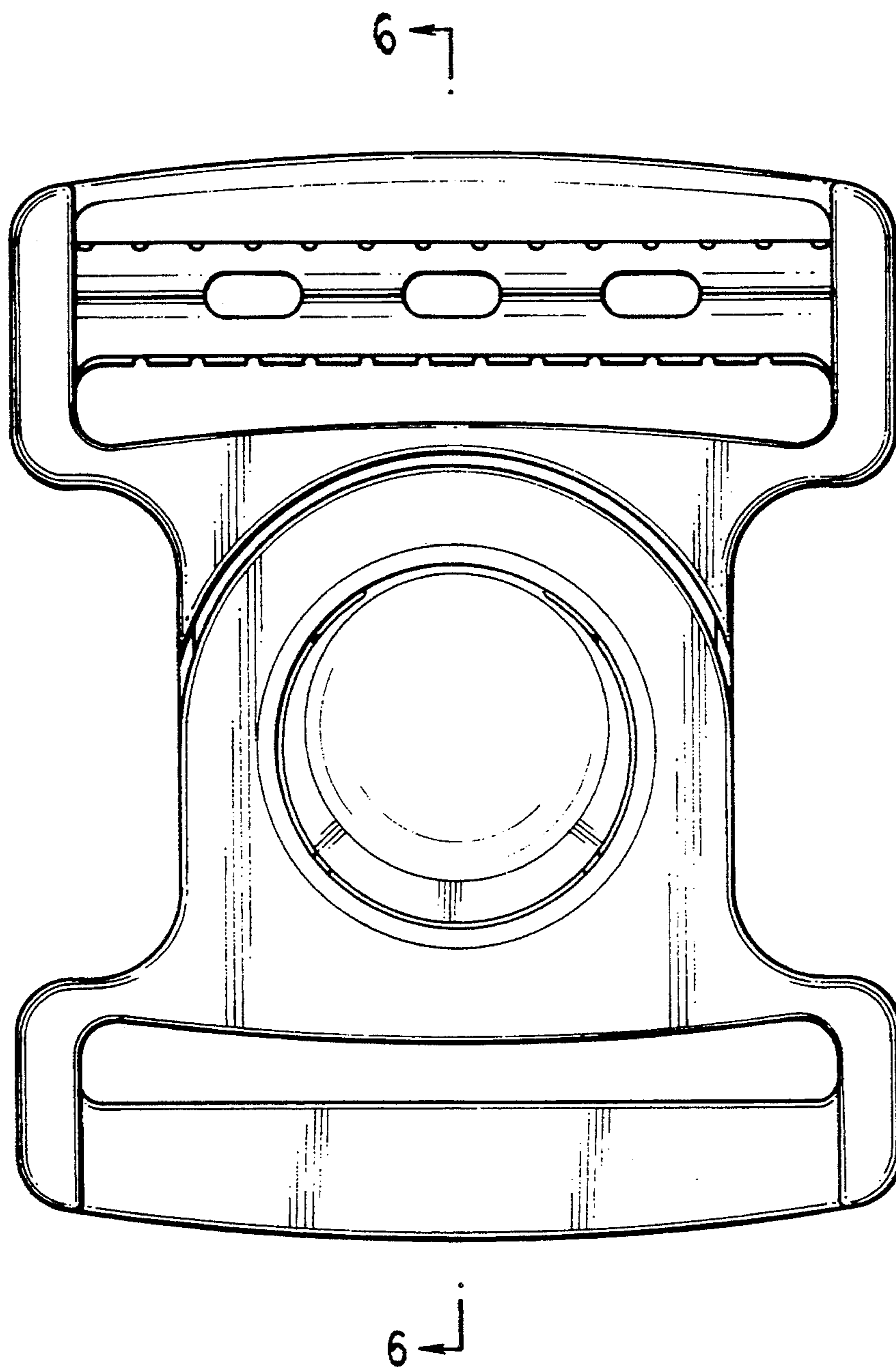


FIG. 2

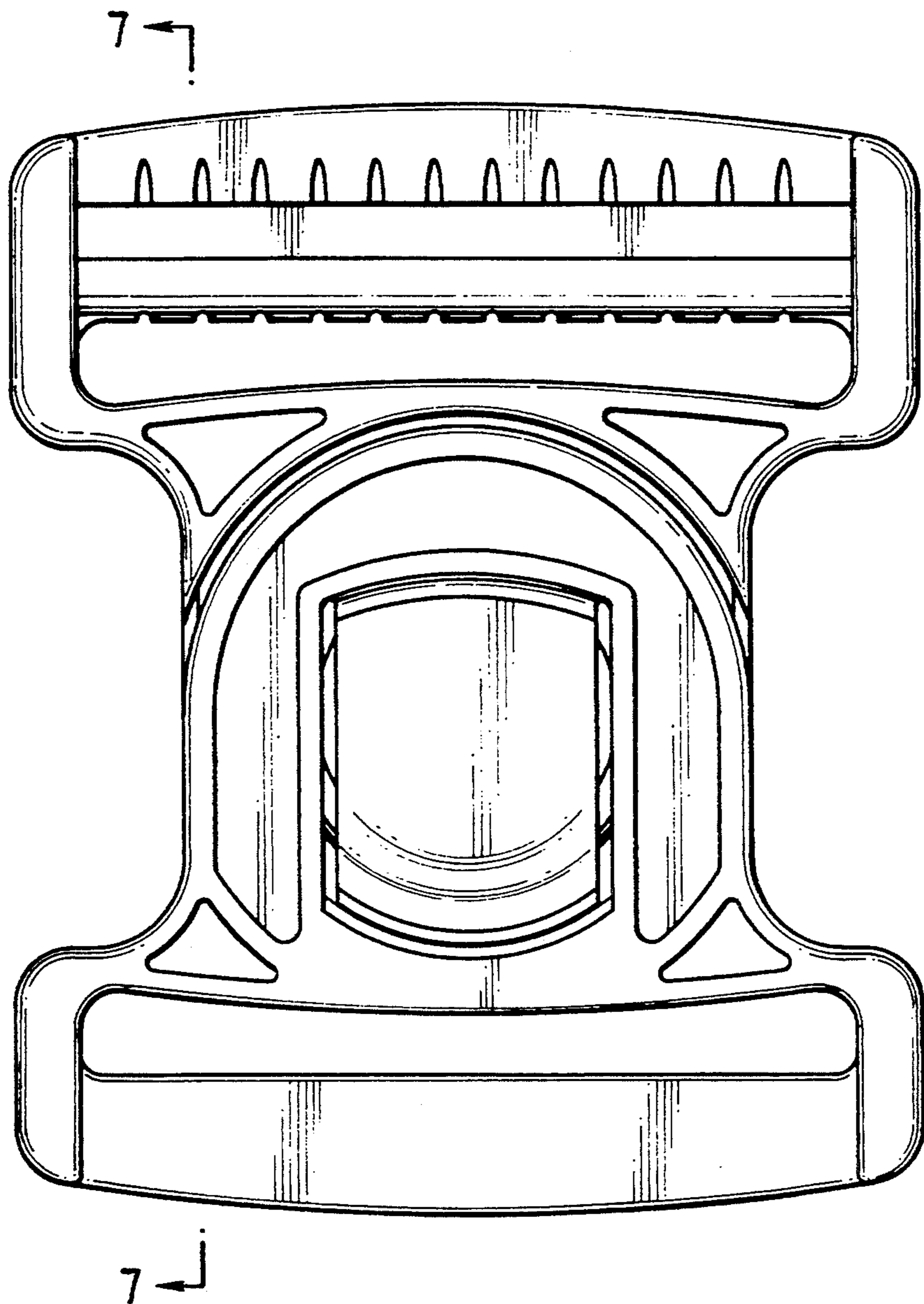


FIG. 3

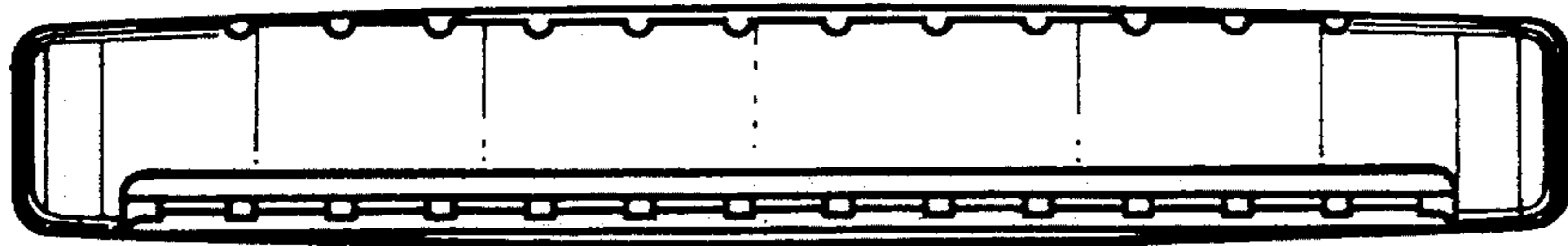


FIG. 4

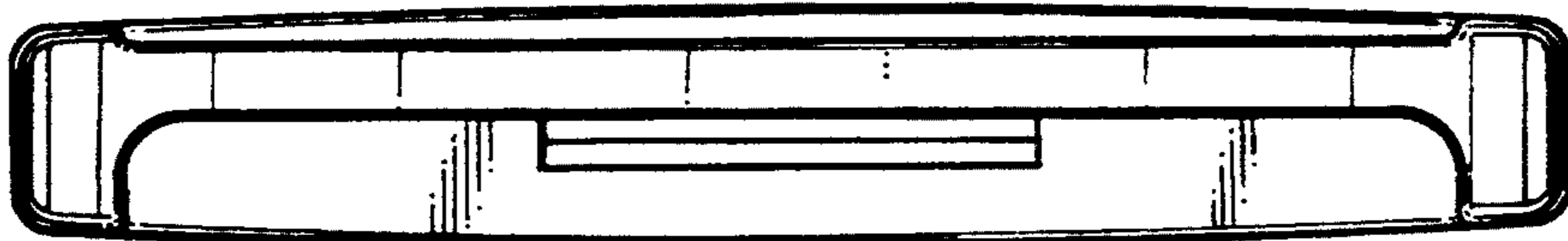


FIG. 5



FIG. 6

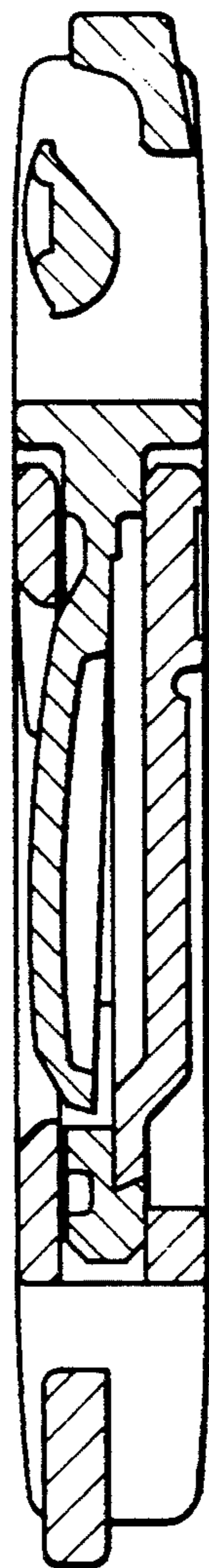


FIG. 7

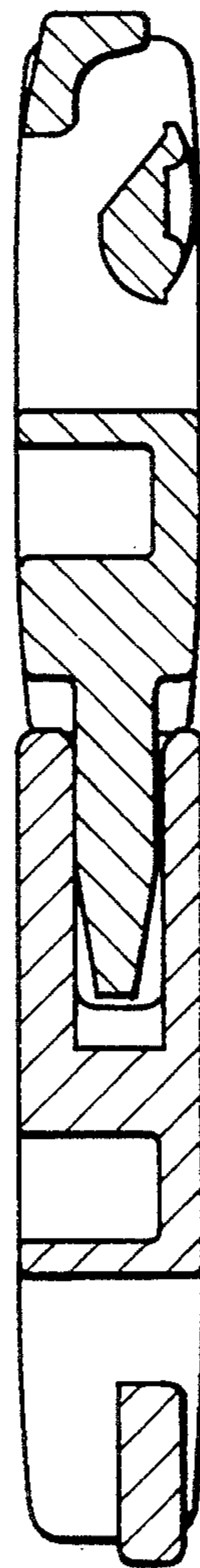


FIG. 8

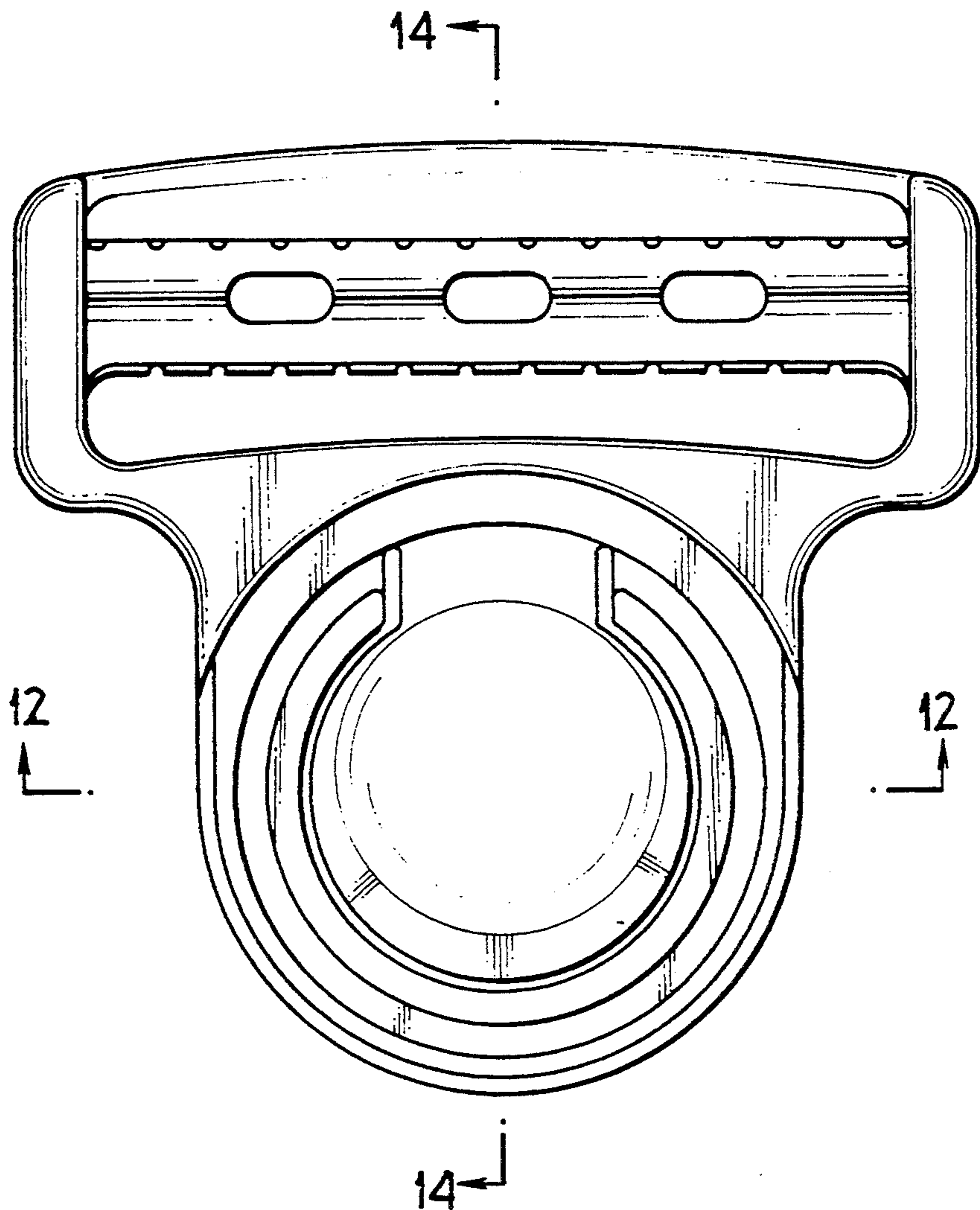


FIG. 9

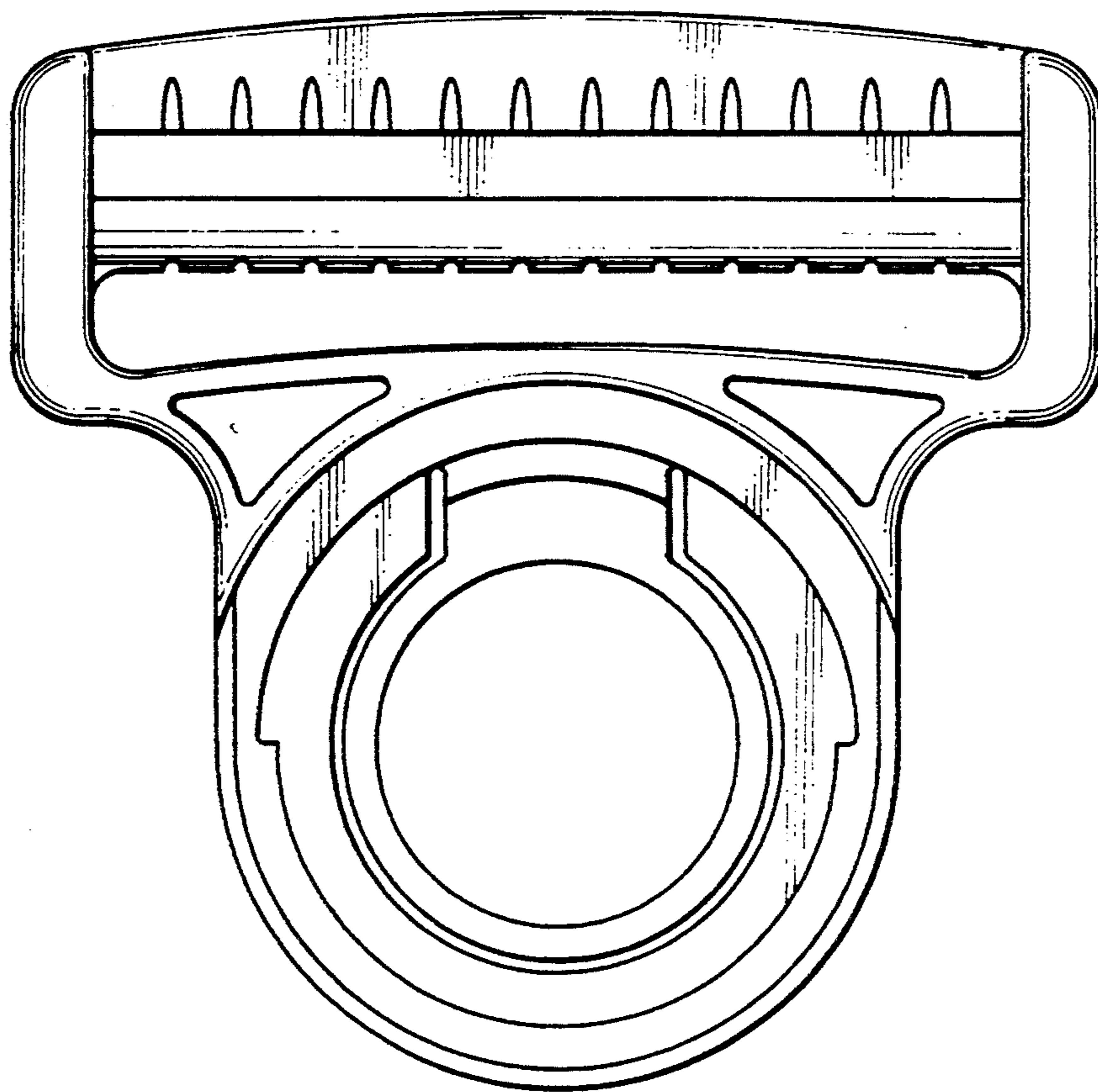


FIG. 10

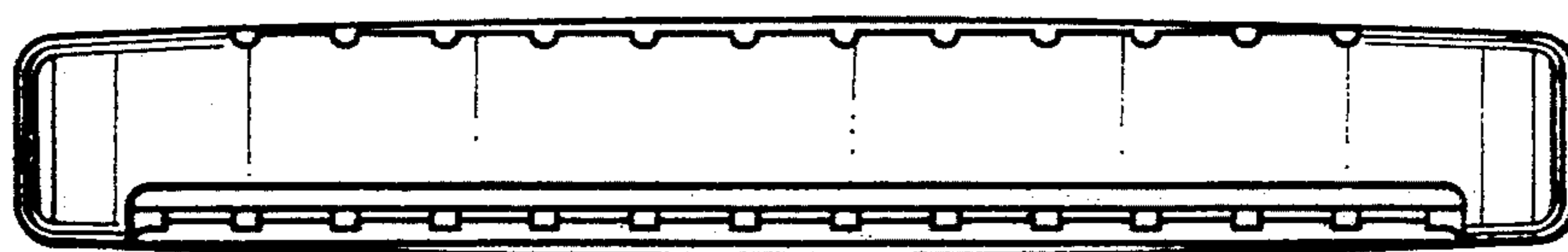


FIG. 11

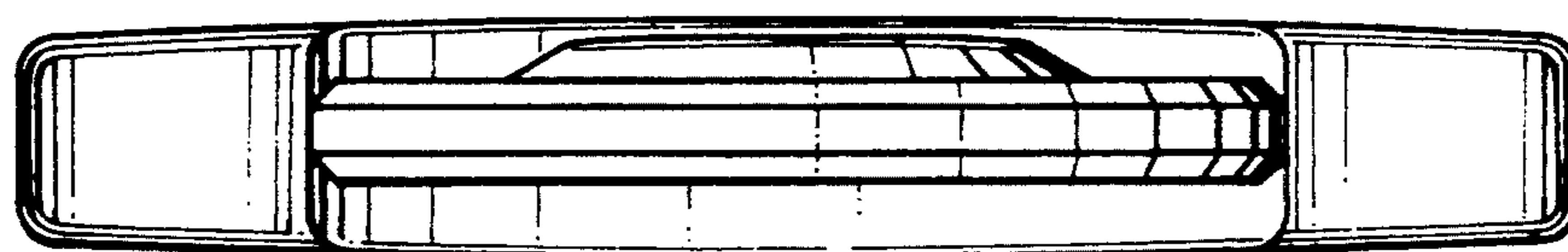


FIG. 12

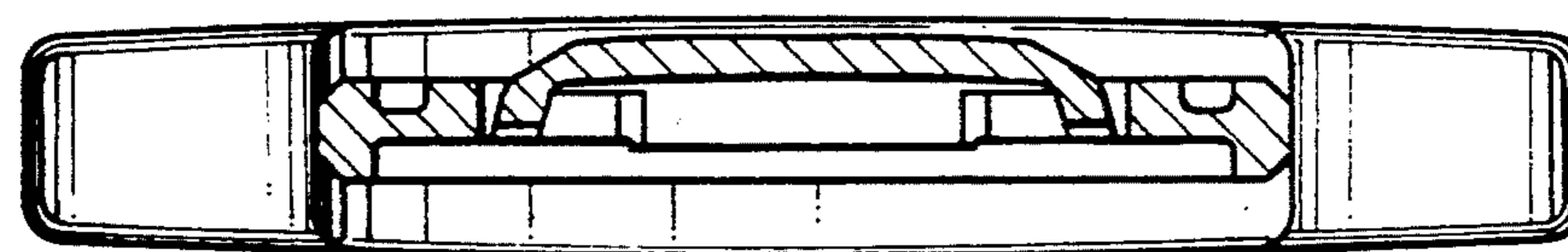


FIG. 13

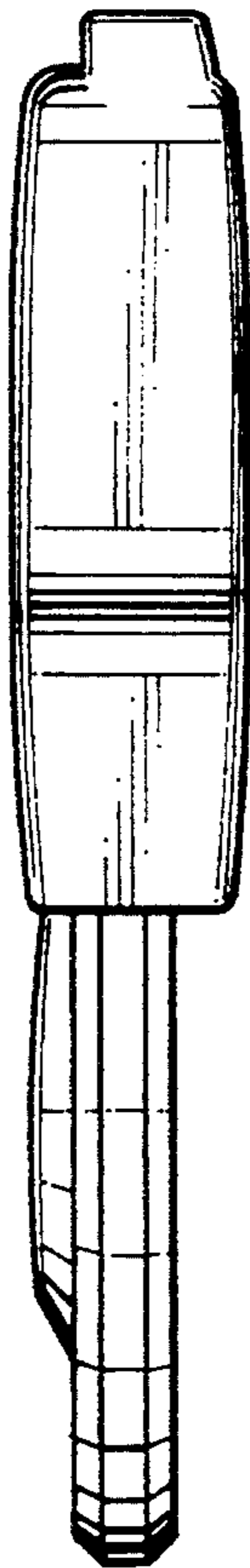


FIG. 14

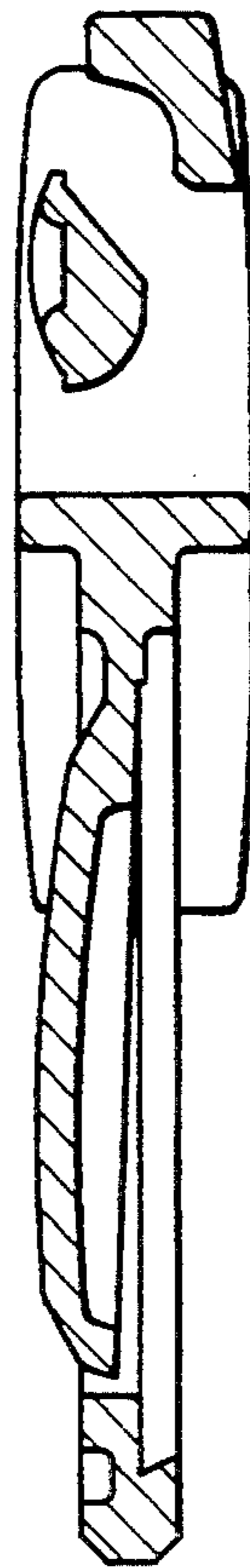
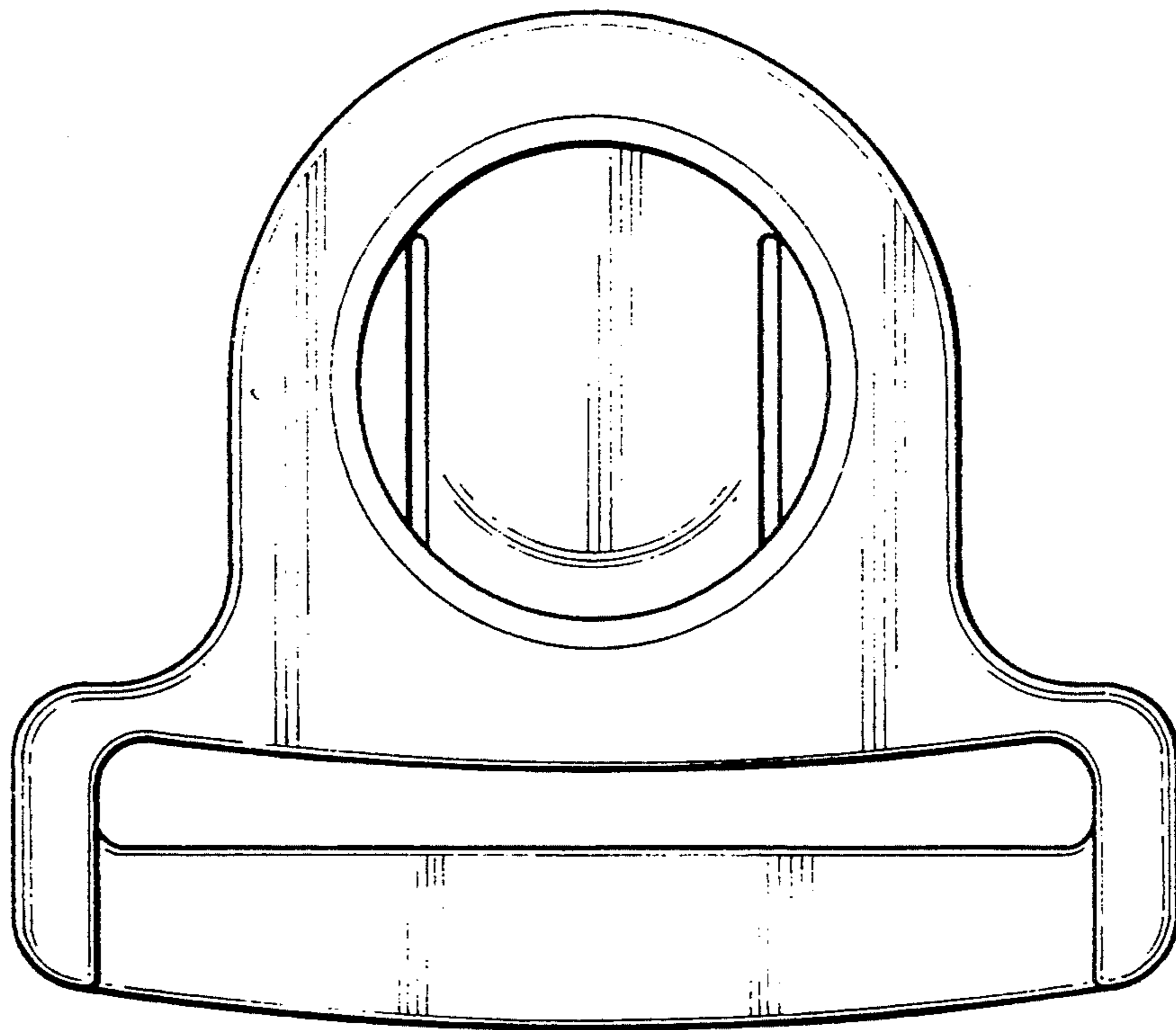


FIG. 15

20 ↙



20 ↘

FIG. 16

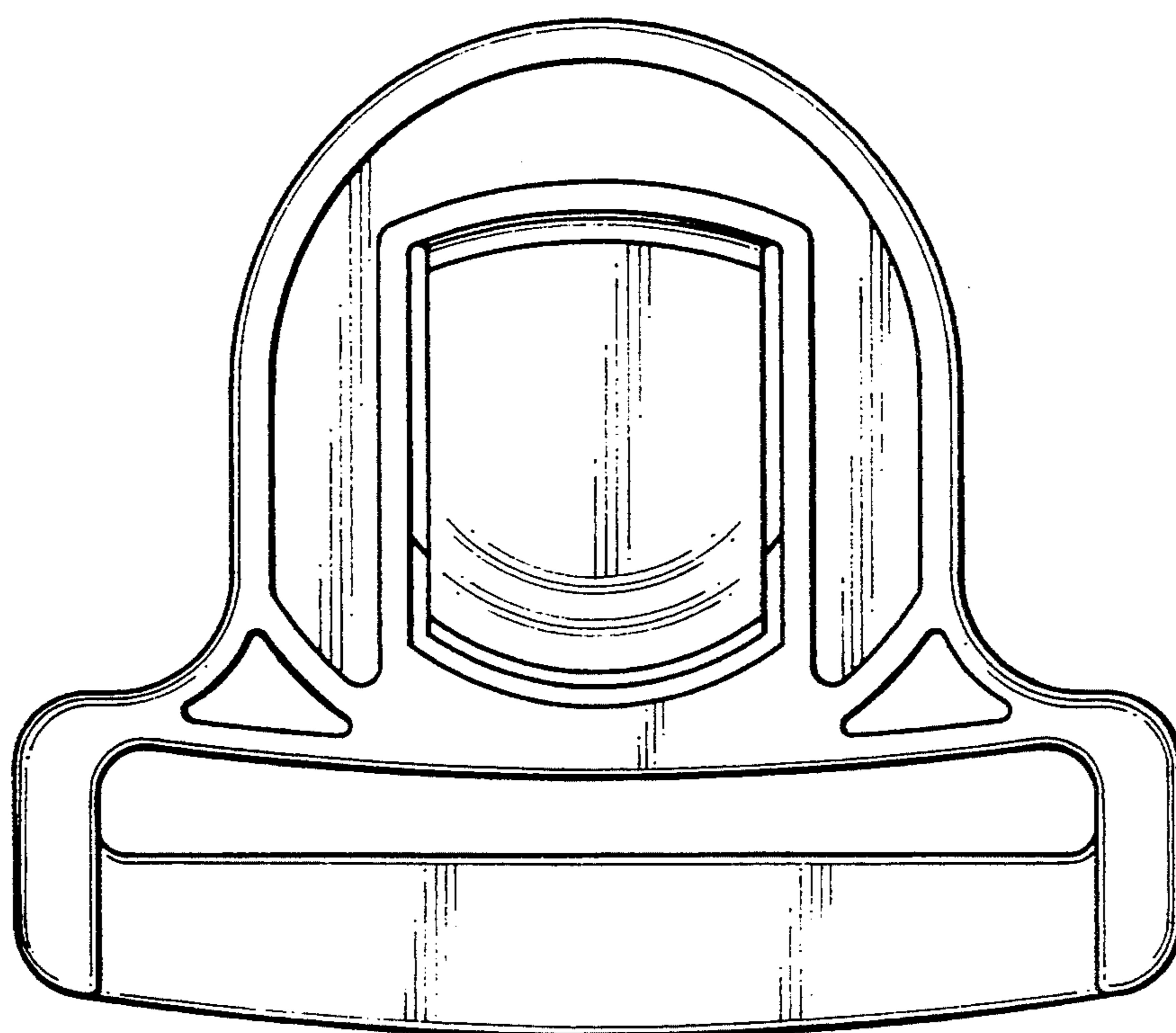


FIG. 17

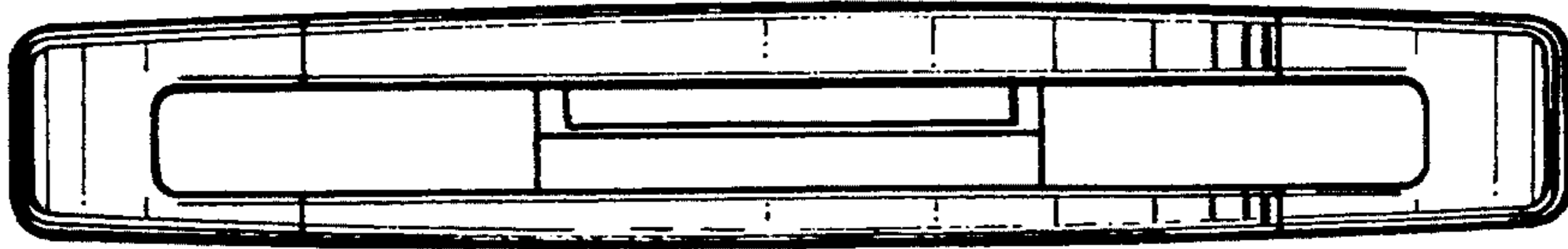


FIG. 18

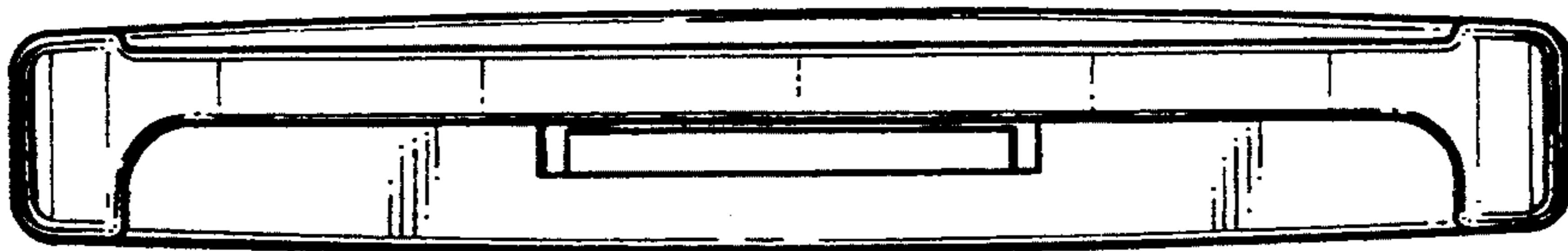


FIG. 19

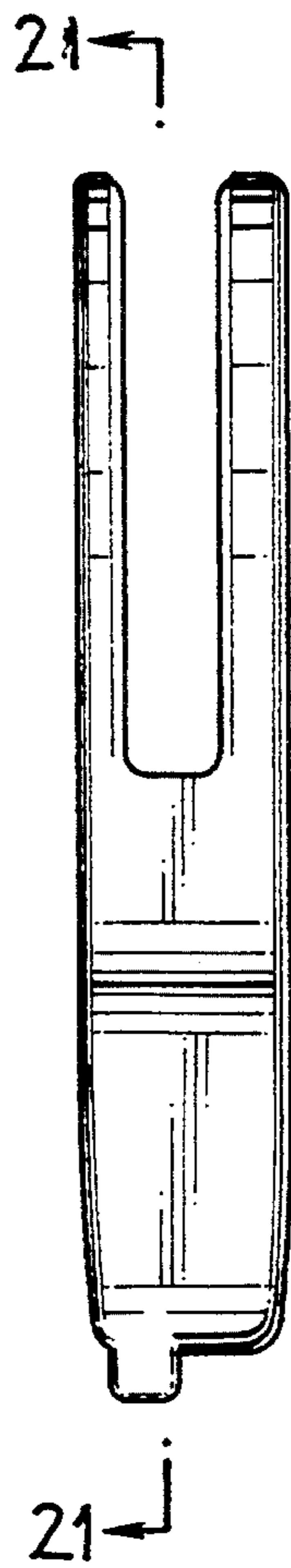


FIG. 20

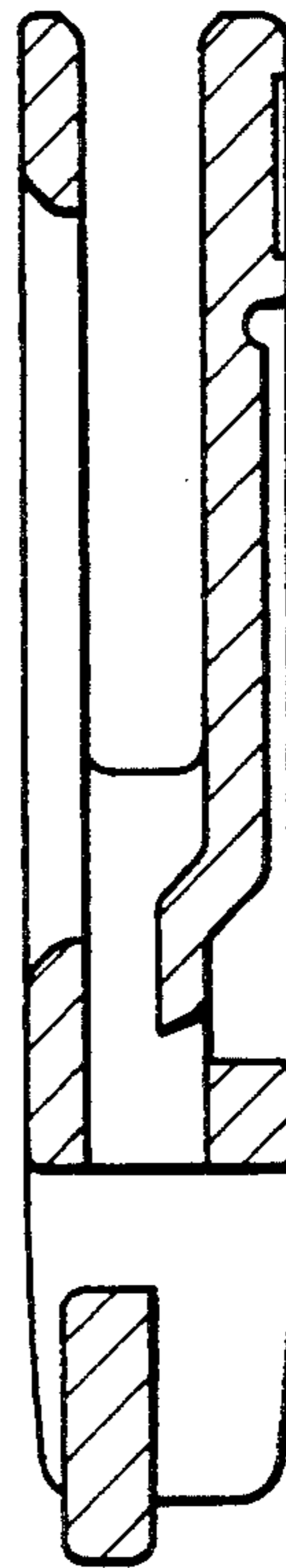


FIG. 21

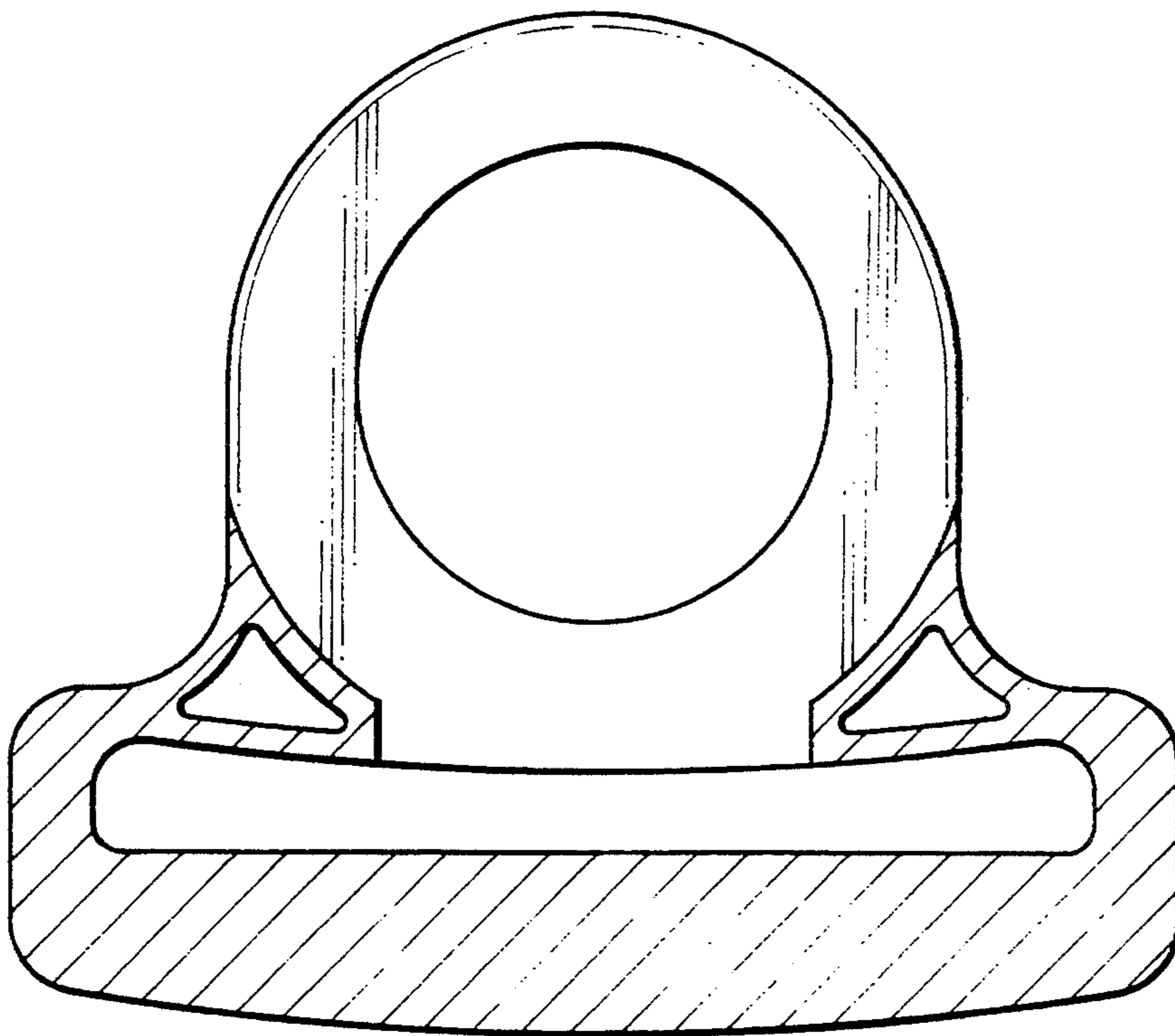


FIG. 22

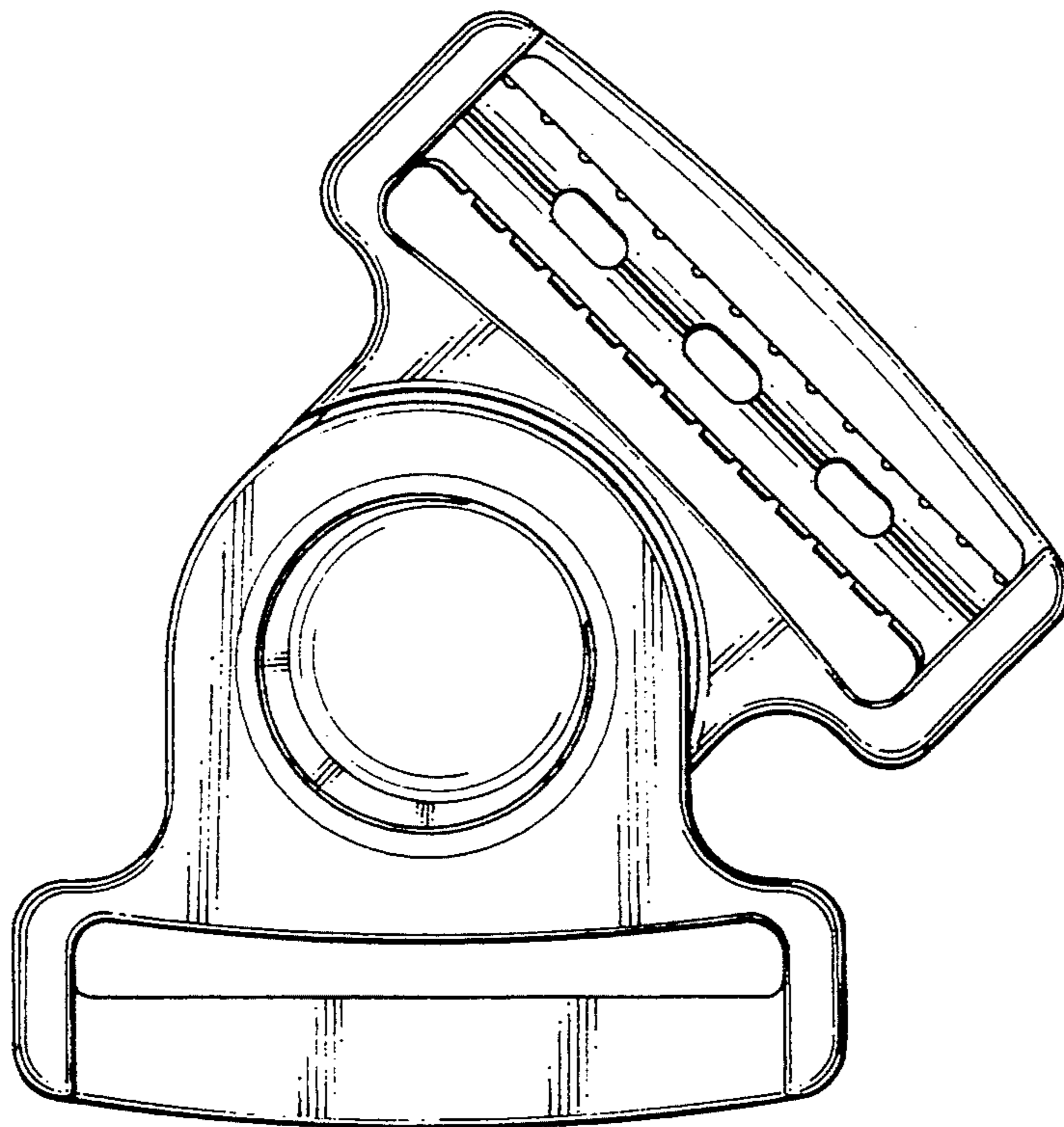


FIG. 23

