



US00D360371S

United States Patent [19]

[11] Patent Number: **Des. 360,371**

O'Hare et al.

[45] Date of Patent: **** Jul. 18, 1995**

[54] LEVEL

[75] Inventors: **William J. O'Hare**, Oklahoma City;
Stephen Rhodes, Mustang, both of Okla.

[73] Assignee: **Macklanburg-Duncan Co.**, Oklahoma City, Okla.

[**] Term: **14 Years**

[21] Appl. No.: **23,534**

[22] Filed: **May 26, 1994**

[52] U.S. Cl. **D10/62; D10/69; D10/71**

[58] Field of Search **D10/62, 69, 71; 33/365-390, 483-494**

825,934 7/1906 Pierson .
1,691,776 11/1928 Mayes .
2,633,640 4/1953 Bucsko 33/88
2,736,097 2/1956 Coleman, Jr. 33/107
3,311,990 4/1967 Wright 33/211
3,561,128 2/1971 Ostrager 33/383
4,208,803 6/1980 Brown et al. 33/379 X
4,912,662 3/1990 Butler et al. 364/559
4,972,603 11/1990 Meyer 33/810

FOREIGN PATENT DOCUMENTS

357110 3/1930 United Kingdom .

Primary Examiner—Antoine Duval Davis
Attorney, Agent, or Firm—McKinney, Stringer & Webster

CLAIM

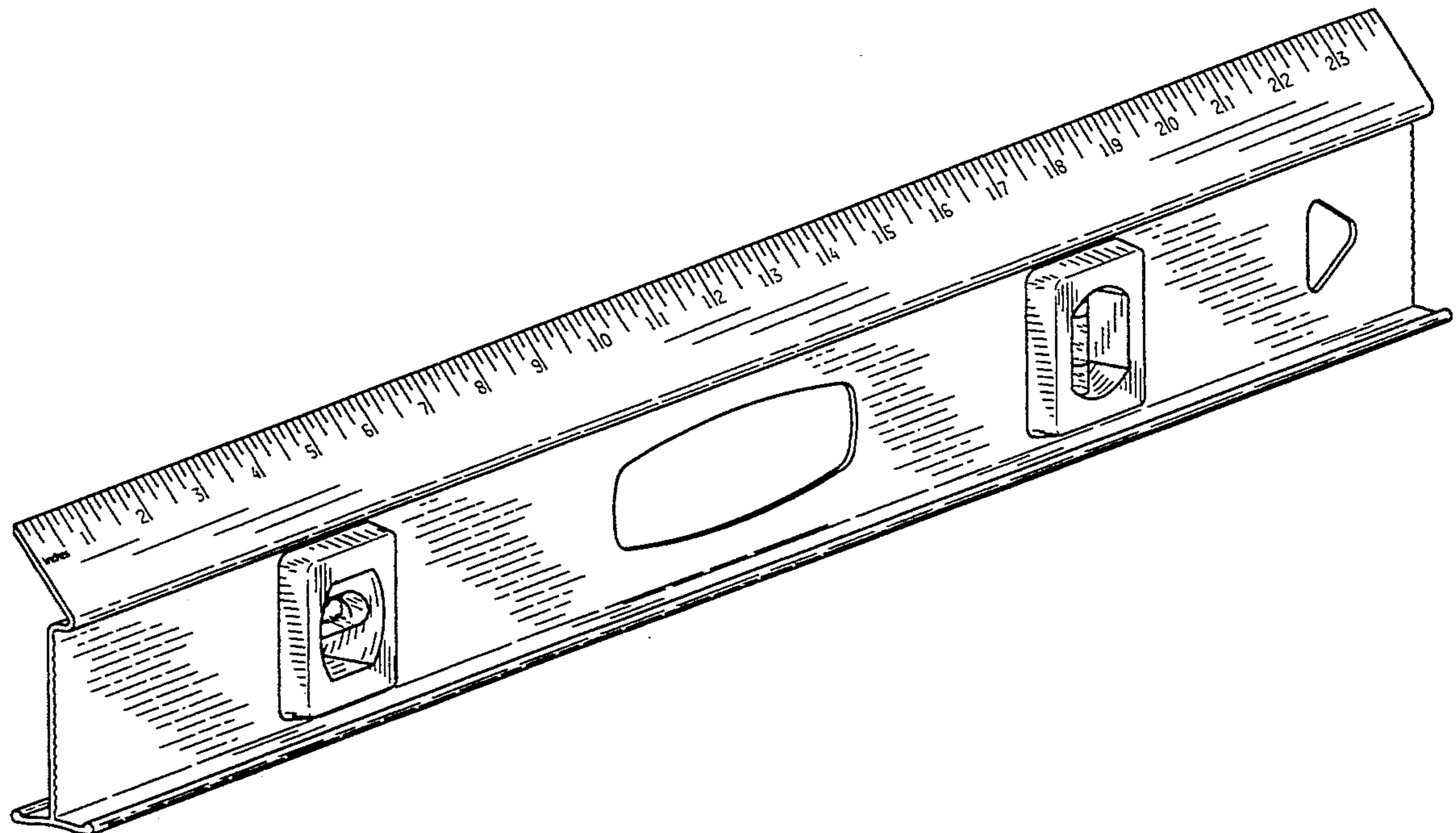
[57] The ornamental design for a level, as shown.

DESCRIPTION

FIG. 1 is a perspective view showing my new design for a level;
FIG. 2 is a front elevational view of the level shown in FIG. 1;
FIG. 3 is a back elevational view of the level shown in FIG. 1;
FIG. 4 is an elevational view of the right end of the level shown in FIG. 1;
FIG. 5 is an elevational view of the left end of the level shown in FIG. 1;
FIG. 6 is a plan view of the level shown in FIG. 1; and,
FIG. 7 is a bottom view of the level shown in FIG. 1.

[56] **References Cited**
U.S. PATENT DOCUMENTS

14,043 7/1883 Stephens .
D. 189,590 1/1961 White D52/1
D. 212,340 10/1968 Hull D52/6
D. 229,341 11/1973 West et al. D52/6
D. 238,056 12/1975 Foster et al. D10/69
D. 267,552 1/1983 Seeley, Jr. et al. D10/71
D. 284,199 6/1986 Li D18/2
D. 285,094 8/1986 Li D18/2
D. 285,780 9/1986 Wright et al. D10/62
D. 308,644 6/1990 Butler et al. D10/69
D. 330,682 11/1992 Butler et al. D10/69
D. 348,619 7/1994 Hansen D10/69



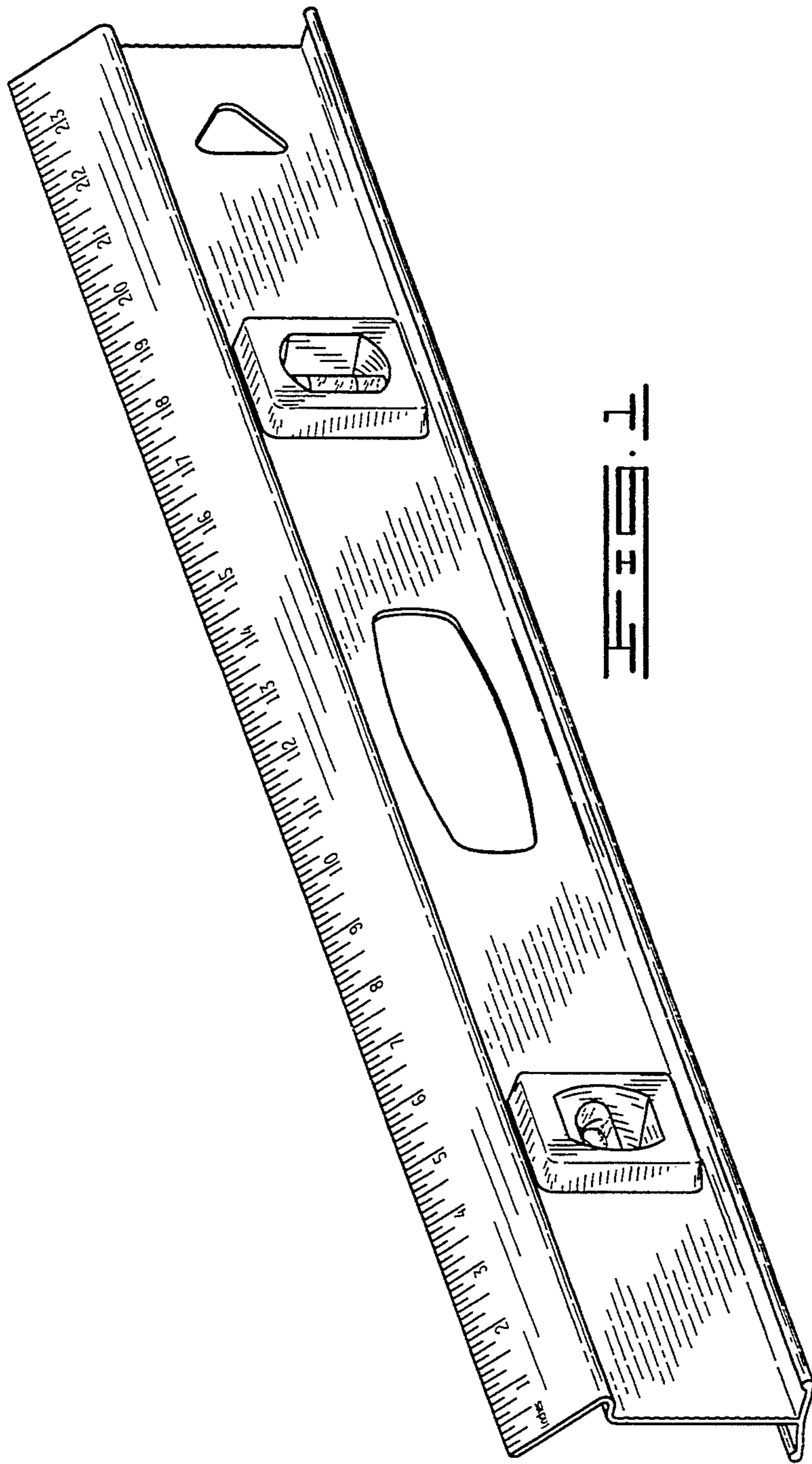


FIG. 1

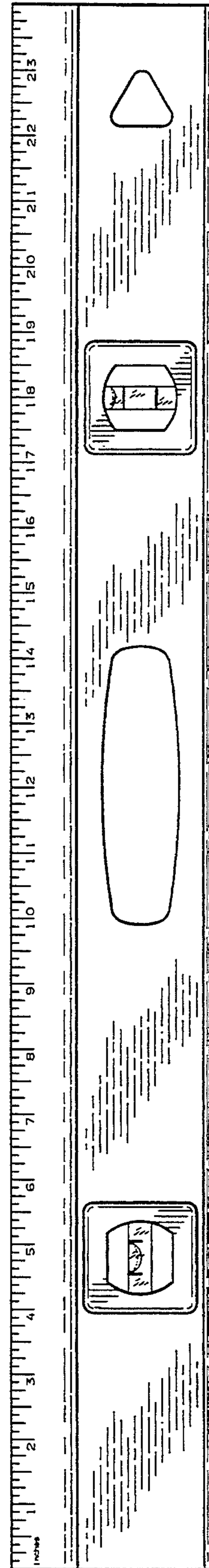


FIG. 2

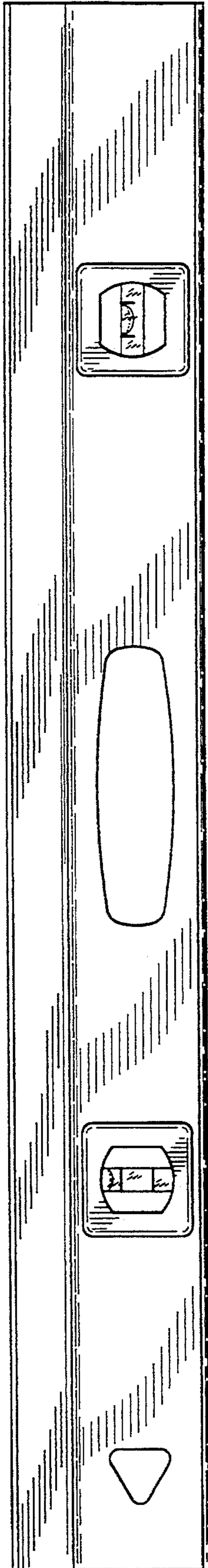


FIG. 3

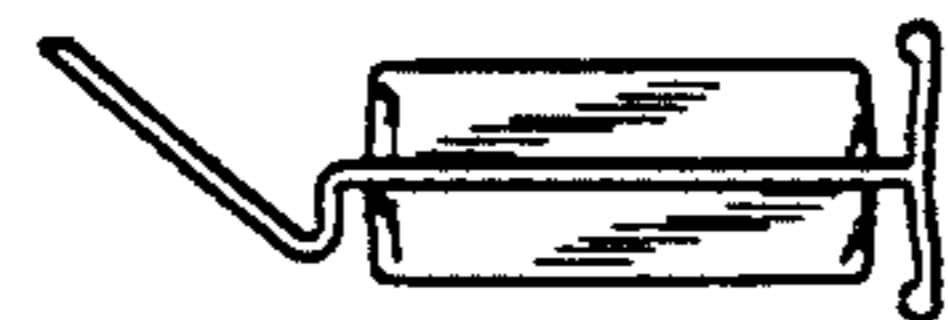


FIG. 4

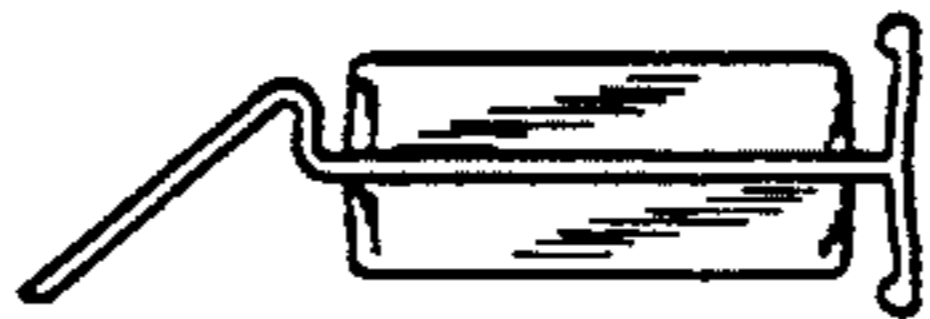


FIG. 5



FIG. 6

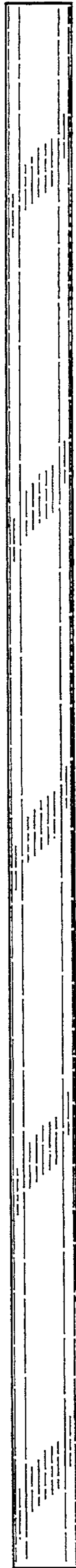


FIG. 7