



US00D360369S

United States Patent [19]

Wong et al.

[11] Patent Number: **Des. 360,369**

[45] Date of Patent: **** Jul. 18, 1995**

[54] WATCH

[75] Inventors: **Shew Y. Wong, Elegant Garden; Chi K. Chan, Ap Lei Chau, both of Hong Kong**

[73] Assignee: **Kompas Technologies Limited, Hong Kong, Hong Kong**

[**] Term: **14 Years**

[21] Appl. No.: **23,279**

[22] Filed: **May 23, 1994**

[52] U.S. Cl. **D10/38; D10/30**

[58] Field of Search **D10/1-40, D10/122-132; 368/223, 228-229, 232, 280-282, 285, 239-242, 82-84**

[56] **References Cited**

U.S. PATENT DOCUMENTS

D. 295,729 5/1988 Suzuki D10/39
D. 329,388 9/1992 Takahashi D10/30

D. 345,926 4/1994 Houlihan D10/32
D. 353,105 12/1994 Houlihan D10/30

OTHER PUBLICATIONS

Best Cat 1986/1987 p. 97-Watches #16-18 at top-right.

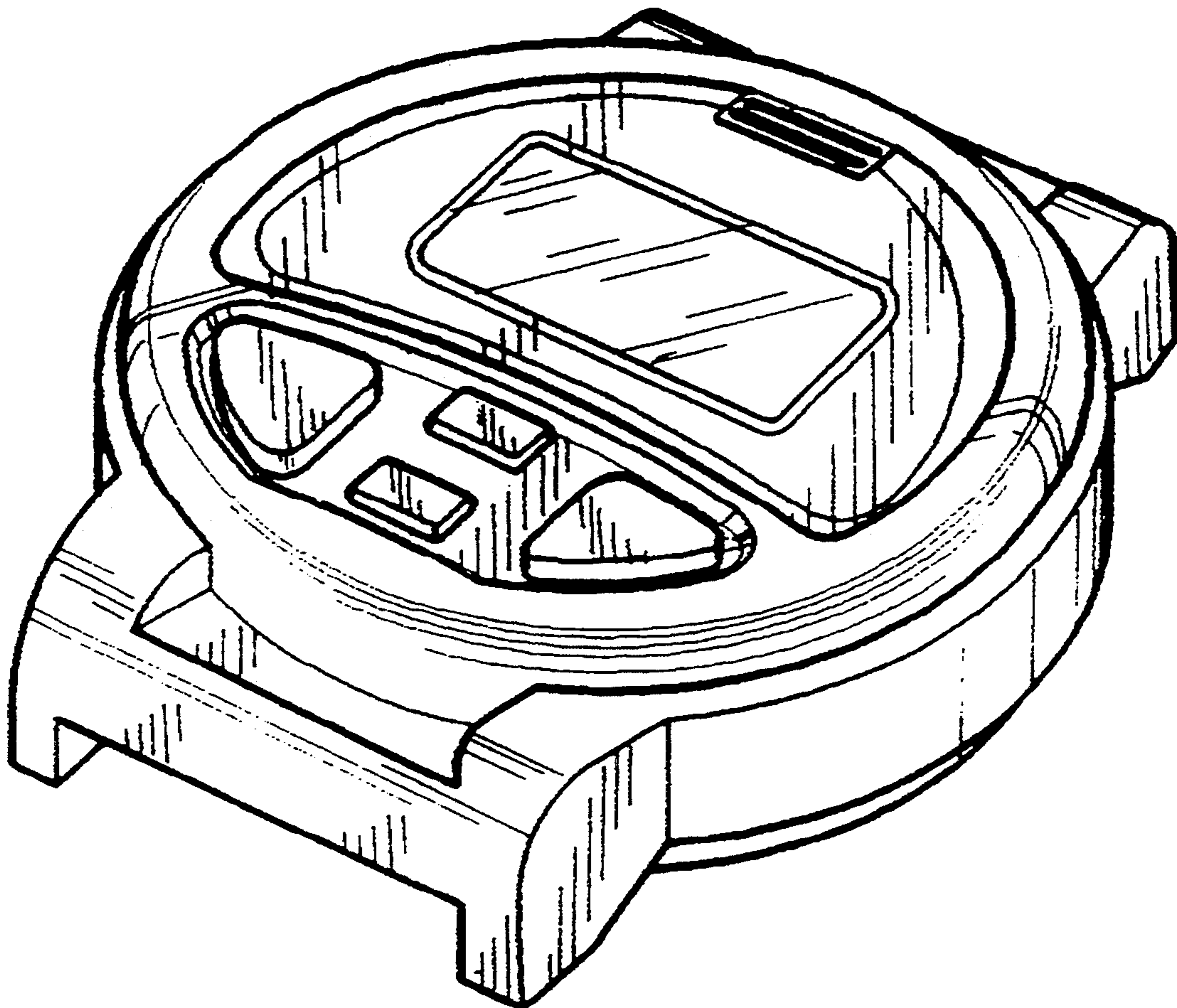
Primary Examiner—Nelson C. Holtje
Attorney, Agent, or Firm—Rosen, Dainow & Jacobs

[57] **CLAIM**

The ornamental design for a watch, as shown and described.

DESCRIPTION

FIG. 1 front view;
FIG. 2 view from one side;
FIG. 3 view from other side;
FIG. 4 view from one end;
FIG. 5 view from other end;
FIG. 6 rear view; and,
FIG. 7 perspective view on an enlarged scale from front, other side and other end.



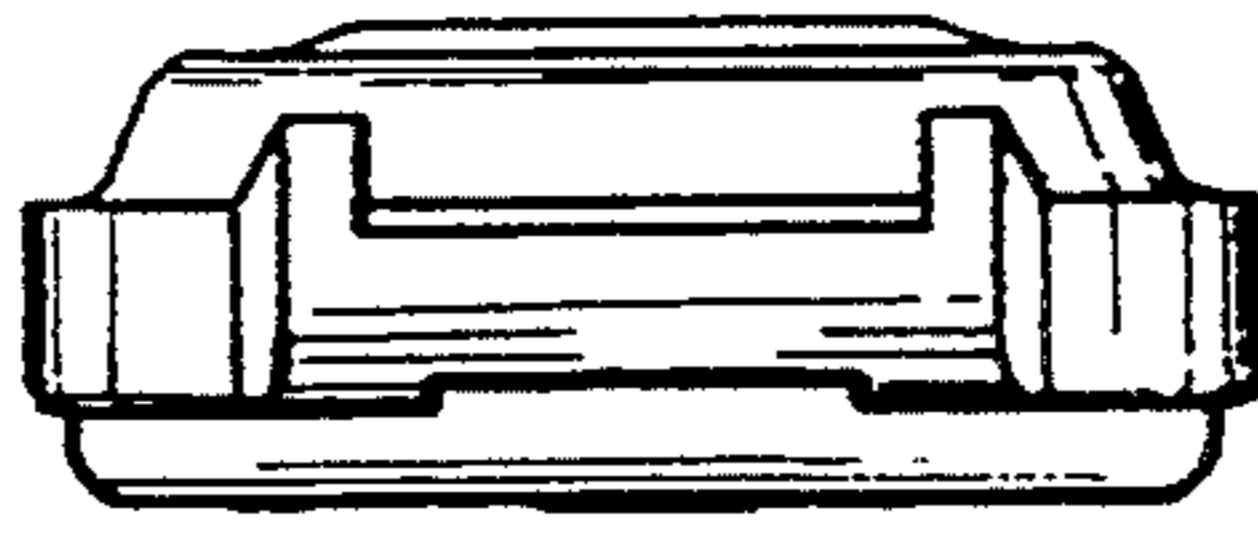


Figure 4

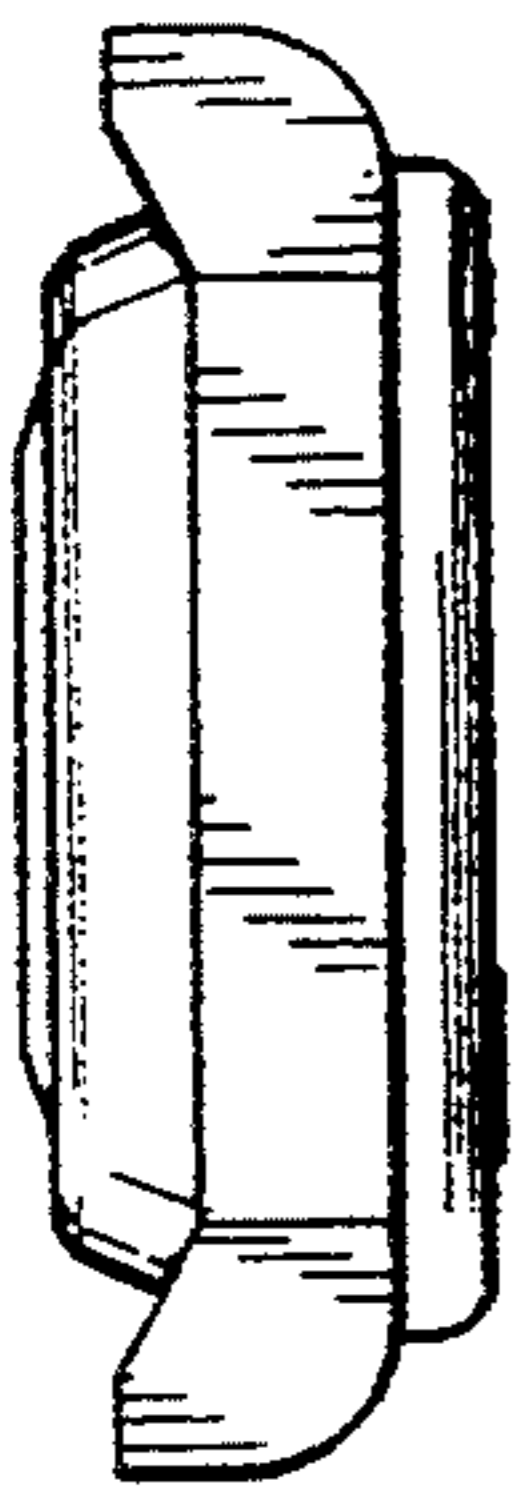


Figure 2

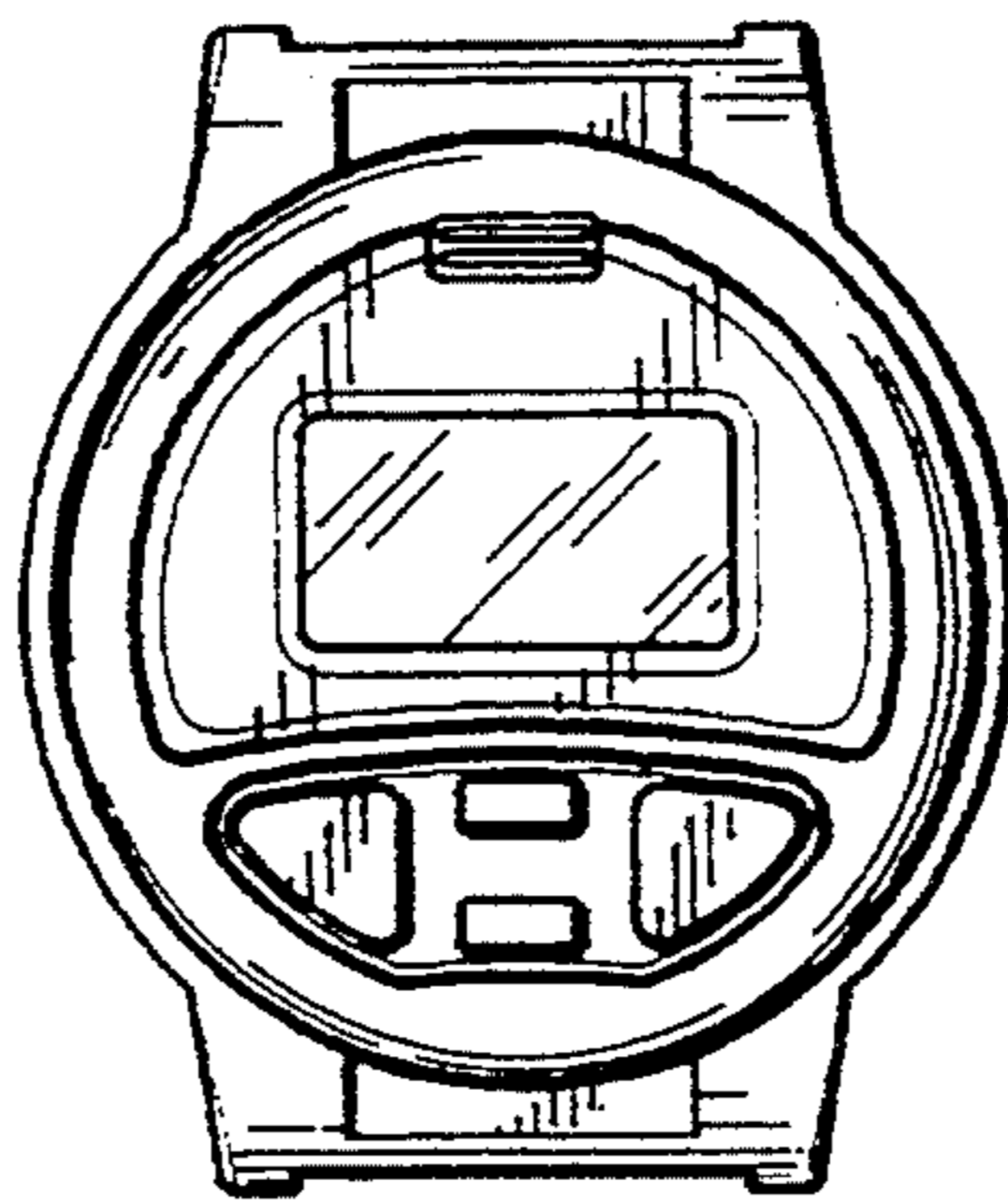


Figure 1

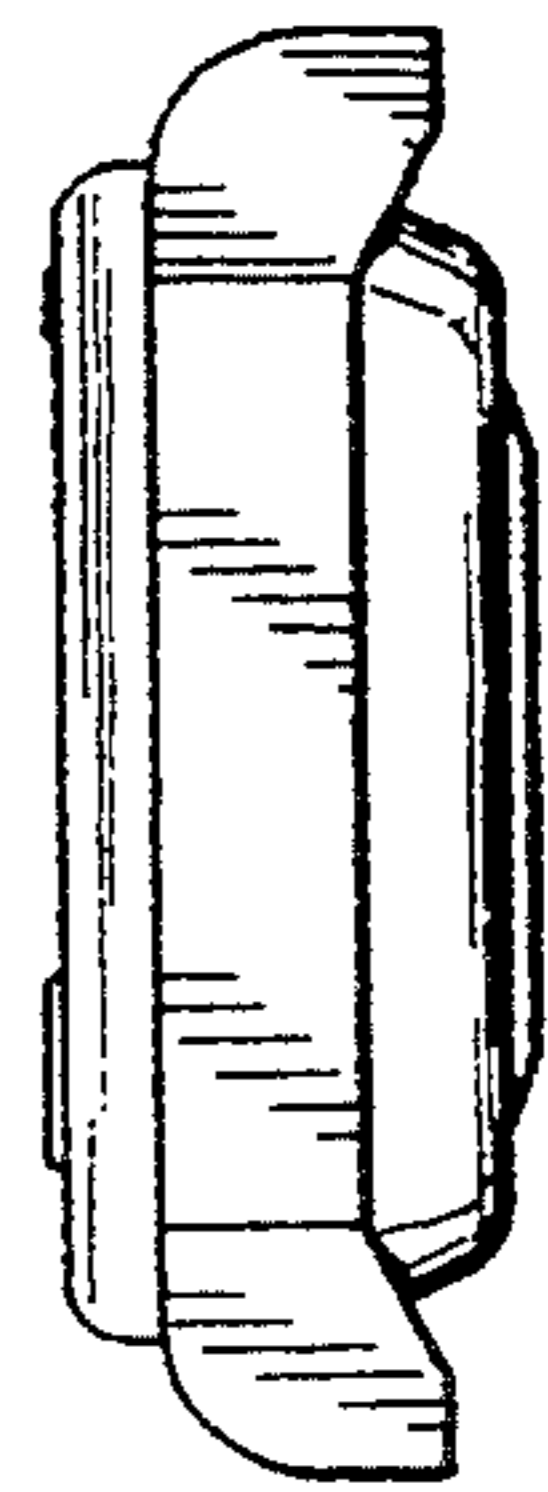


Figure 3

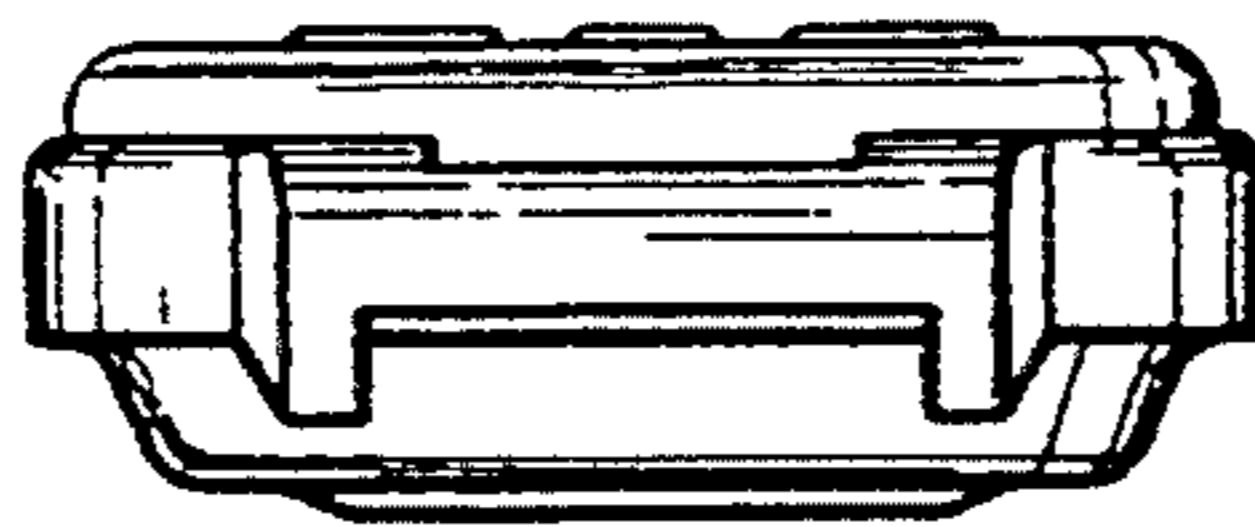


Figure 5

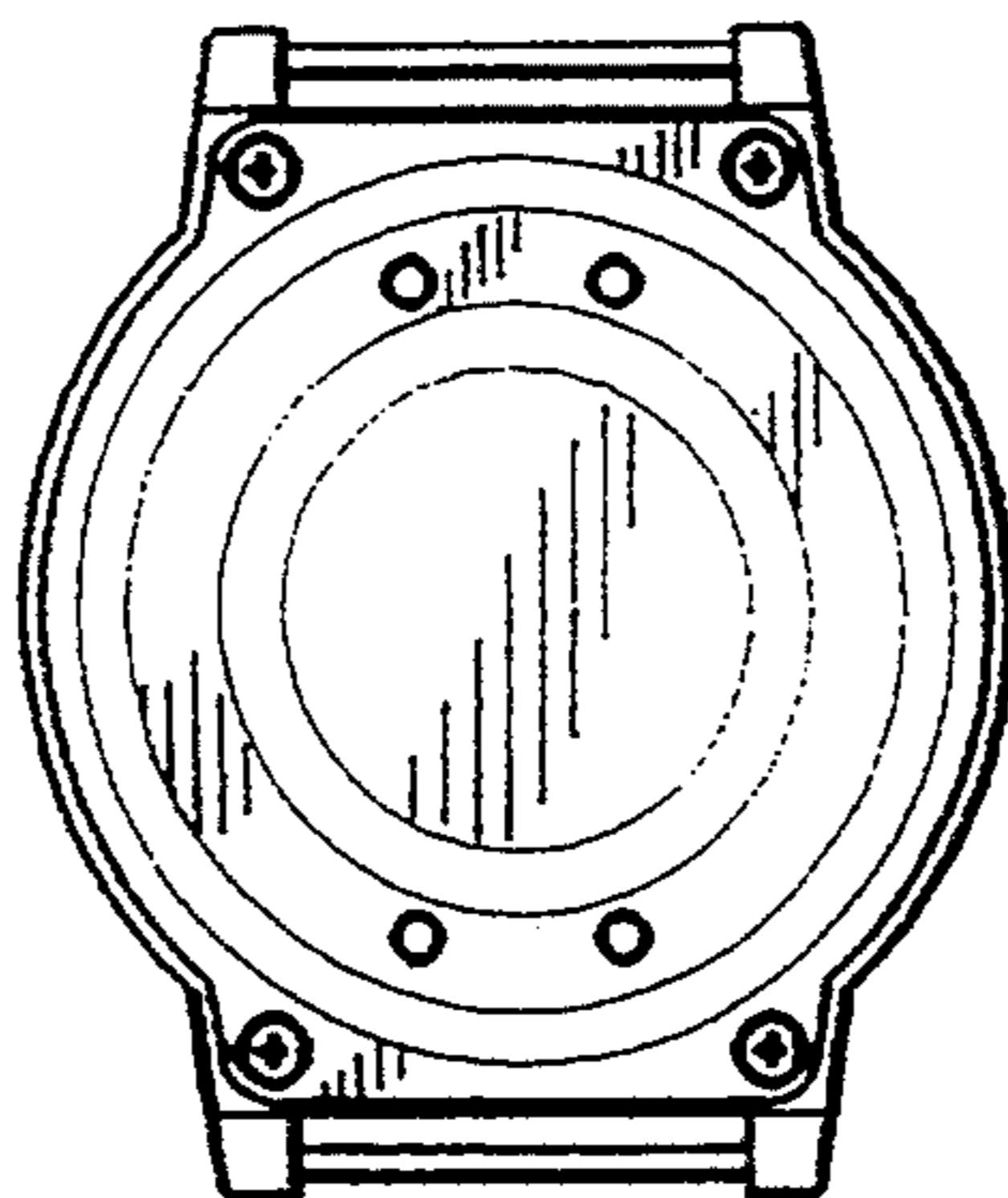


Figure 6

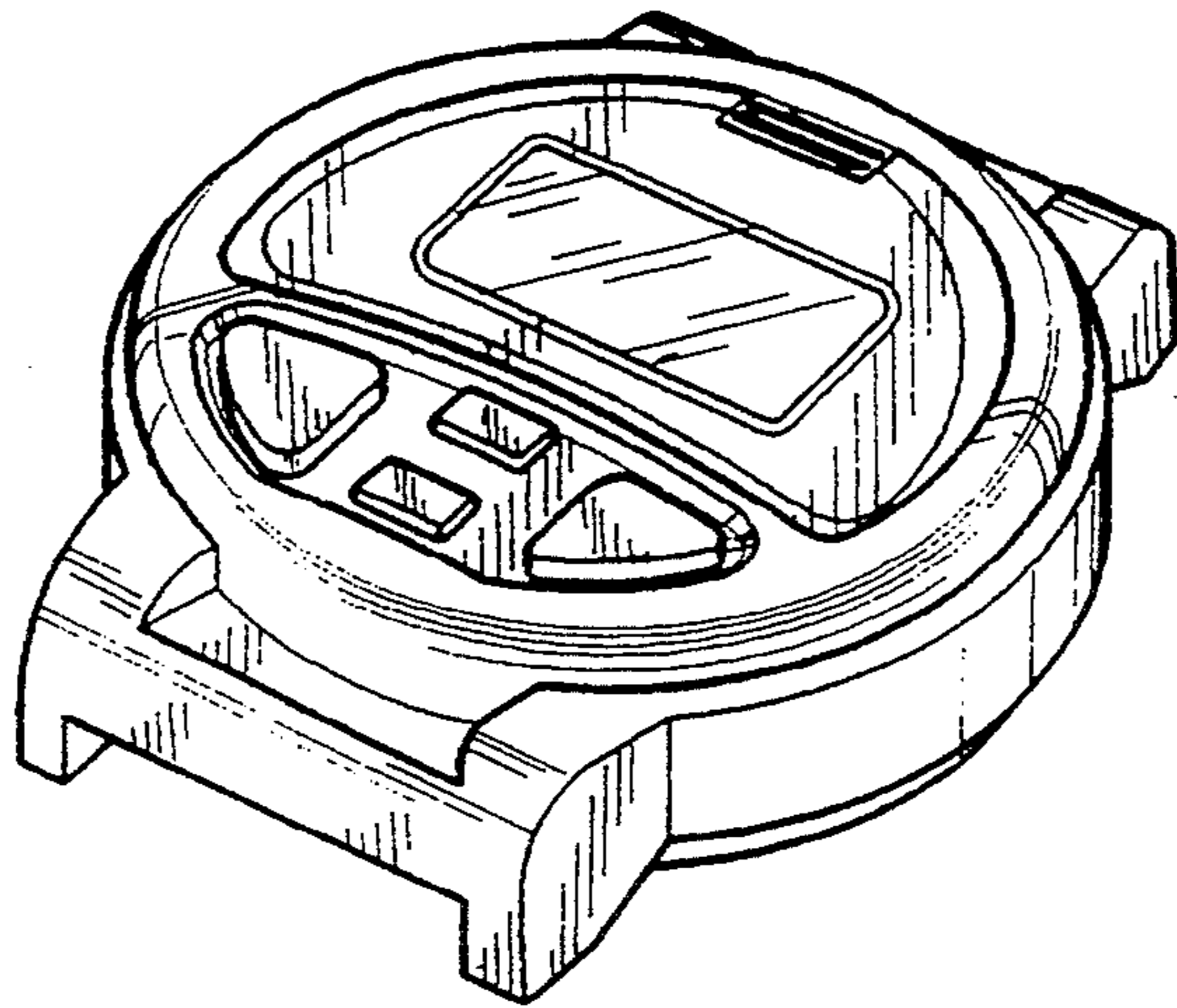


Figure 7