



US00D360367S

United States Patent [19]

[11] Patent Number: **Des. 360,367**

Petruzzi

[45] Date of Patent: **** Jul. 18, 1995**

[54] **REPLICA BATTERY CLOCK**

5,130,955 7/1992 Luerker 368/10 X

[76] Inventor: **Thomas G. Petruzzi**, 5118 Belleville Ave., Orlando, Fla. 32812

[**] Term: **14 Years**

[21] Appl. No.: **27,231**

[22] Filed: **Aug. 16, 1994**

[52] U.S. Cl. **D10/6; D10/15; D13/119; D14/189**

[58] Field of Search **D10/1-40, D10/122-132; 368/10, 276-277, 285; D13/119; D14/189**

[56] **References Cited**

U.S. PATENT DOCUMENTS

D. 240,856	8/1976	Taguchi	D10/15 X
D. 255,101	5/1980	Booty	D10/15
D. 259,723	6/1981	van de Ven	D10/15 X
D. 277,556	2/1985	Pappas	D10/15 X
D. 279,868	7/1985	Boffo	D10/15 X
D. 349,243	8/1994	Hersch	D10/6 X
D. 349,244	8/1994	Hersch	D10/6 X

OTHER PUBLICATIONS

Allied Electronics Cat. 1990-p. 15-Batteries.

Primary Examiner—Nelson C. Holtje
Attorney, Agent, or Firm—Allen, Dyer, Doppelt, Franjola & Milbrath

[57] **CLAIM**

The ornamental design for a replica battery clock, as shown and described.

DESCRIPTION

FIG. 1 is a top, left perspective view of a replica battery clock showing my new design; FIG. 2 is a rear elevational view thereof; FIG. 3 is a front elevational view thereof; FIG. 4 is a top plan view thereof; FIG. 5 is a bottom plan view thereof; FIG. 6 is a right side view thereof, the left side view being a mirror image; and, FIG. 7 is a top, left front perspective view thereof with the case in an open position.

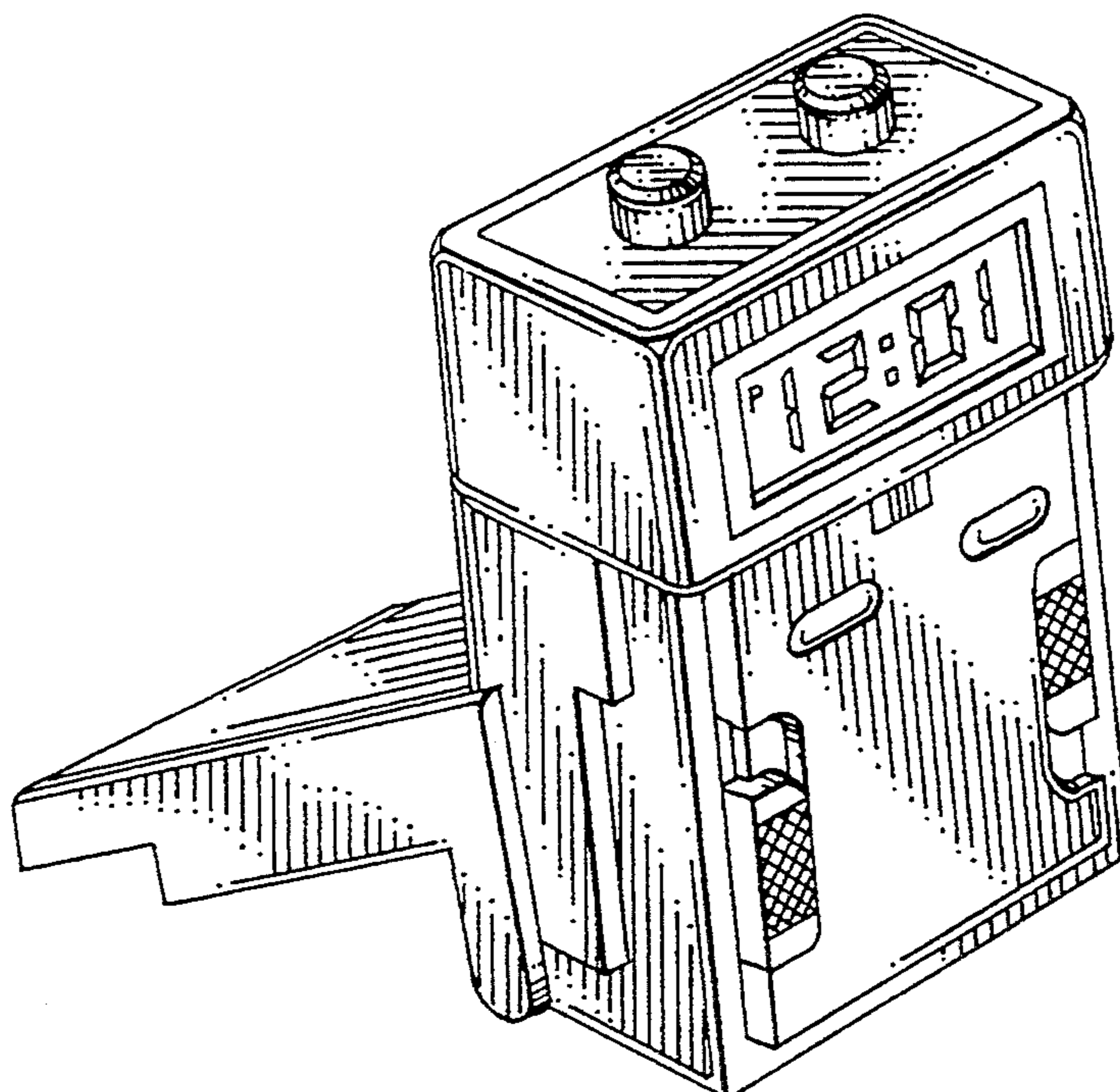


FIG. 1

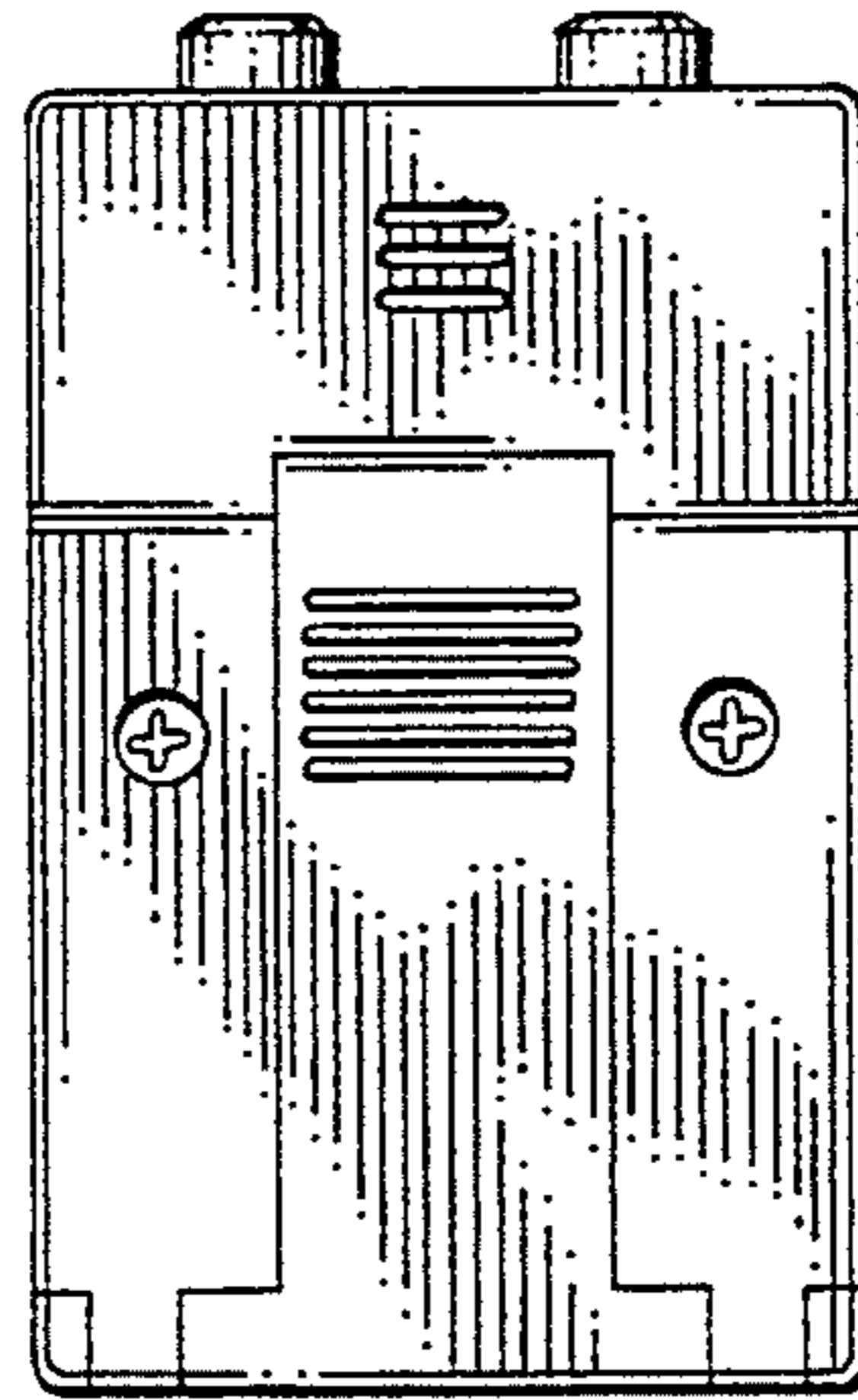
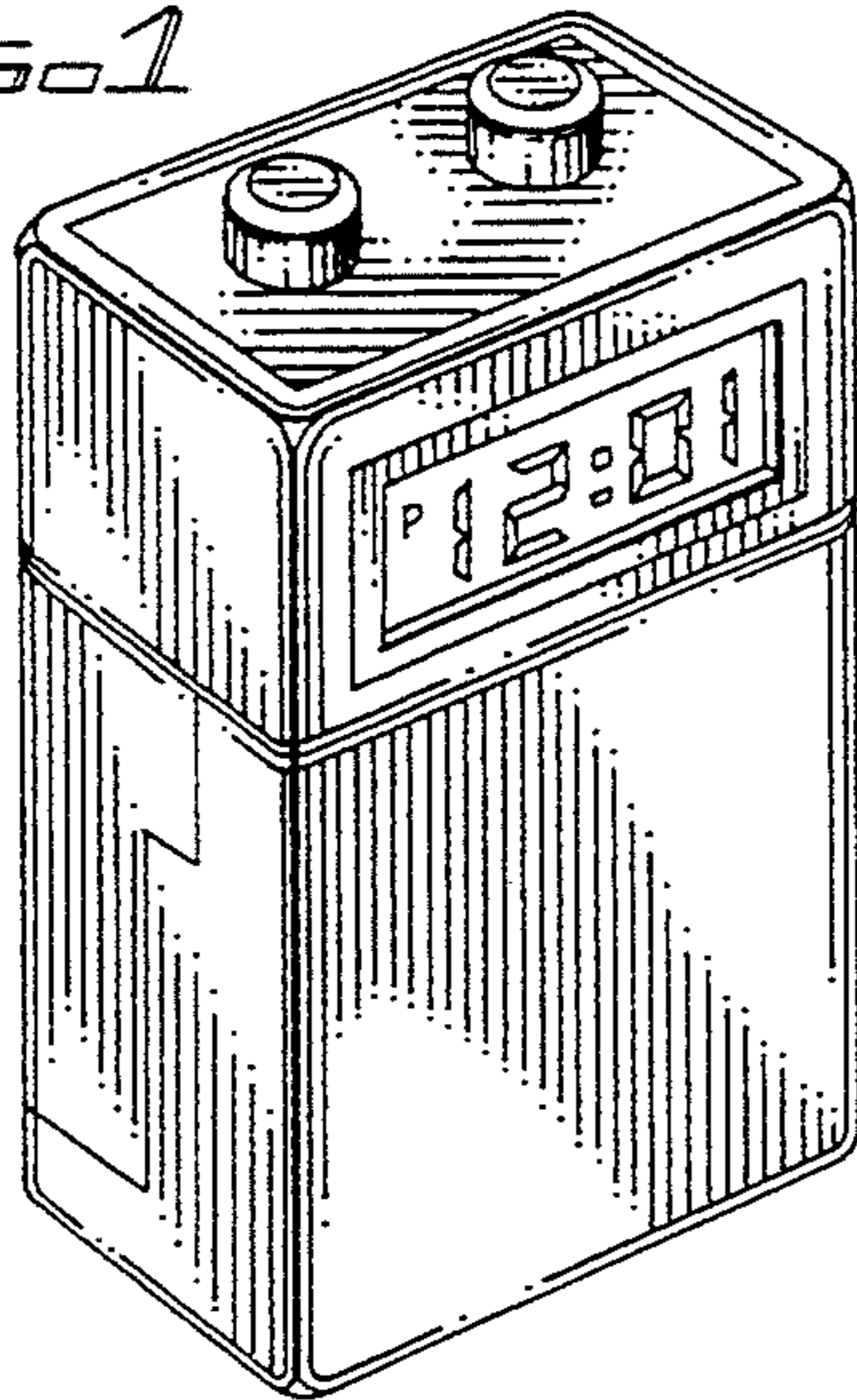


FIG. 2

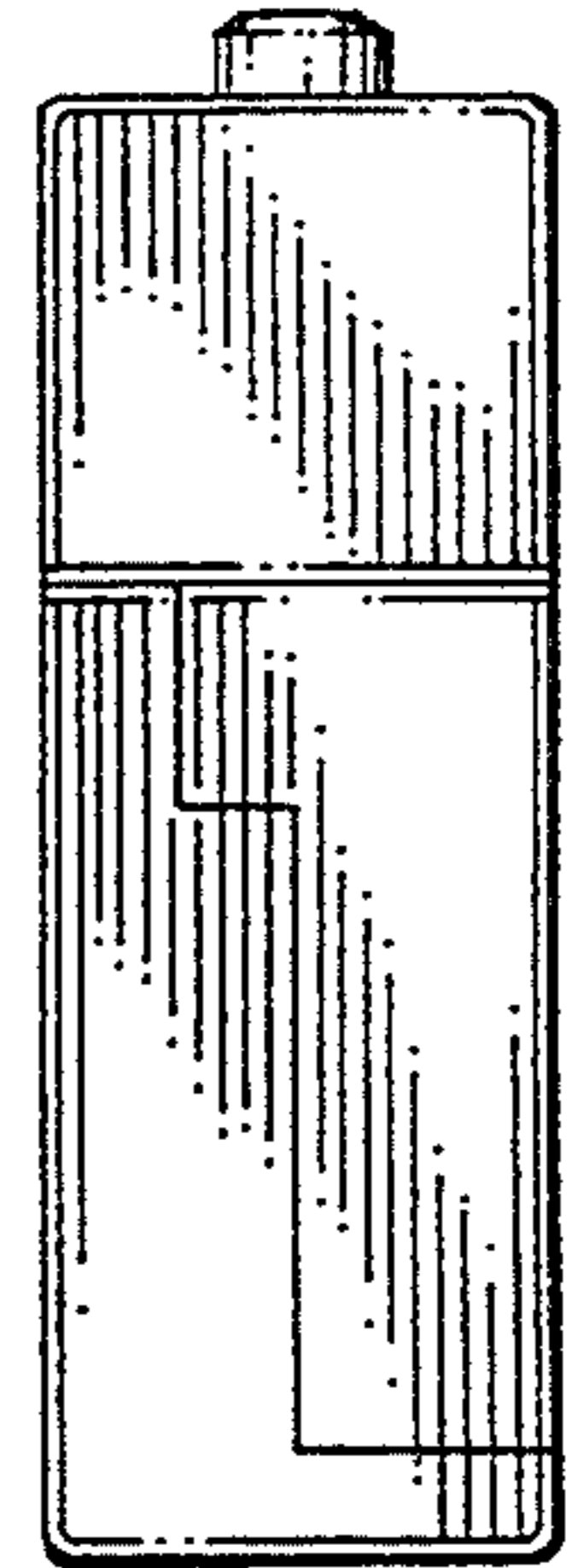


FIG. 6

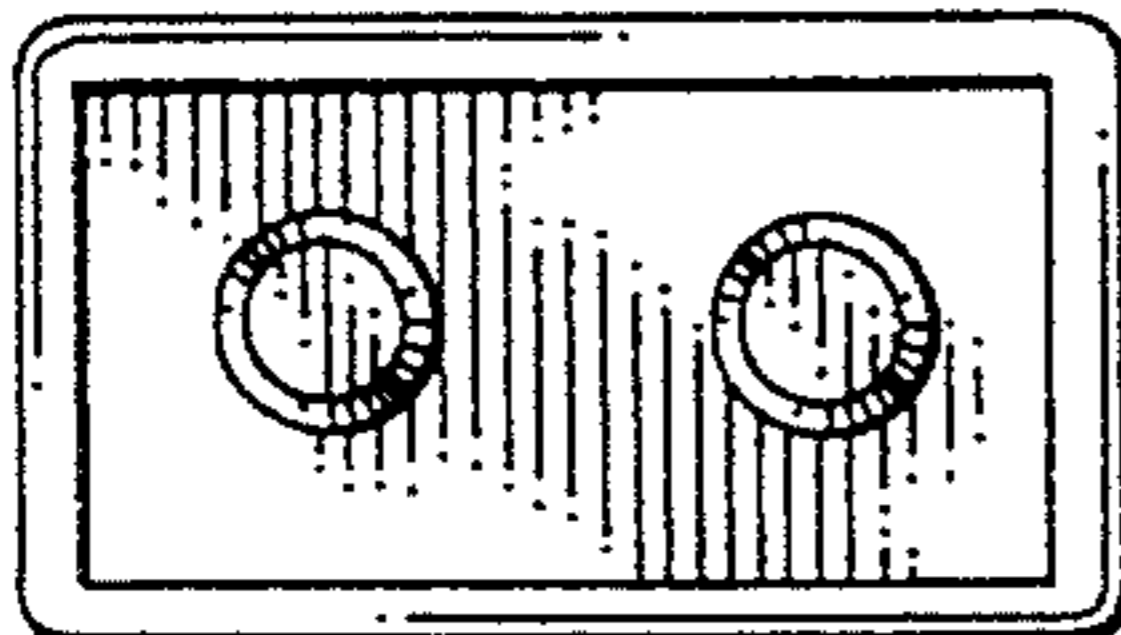


FIG. 4

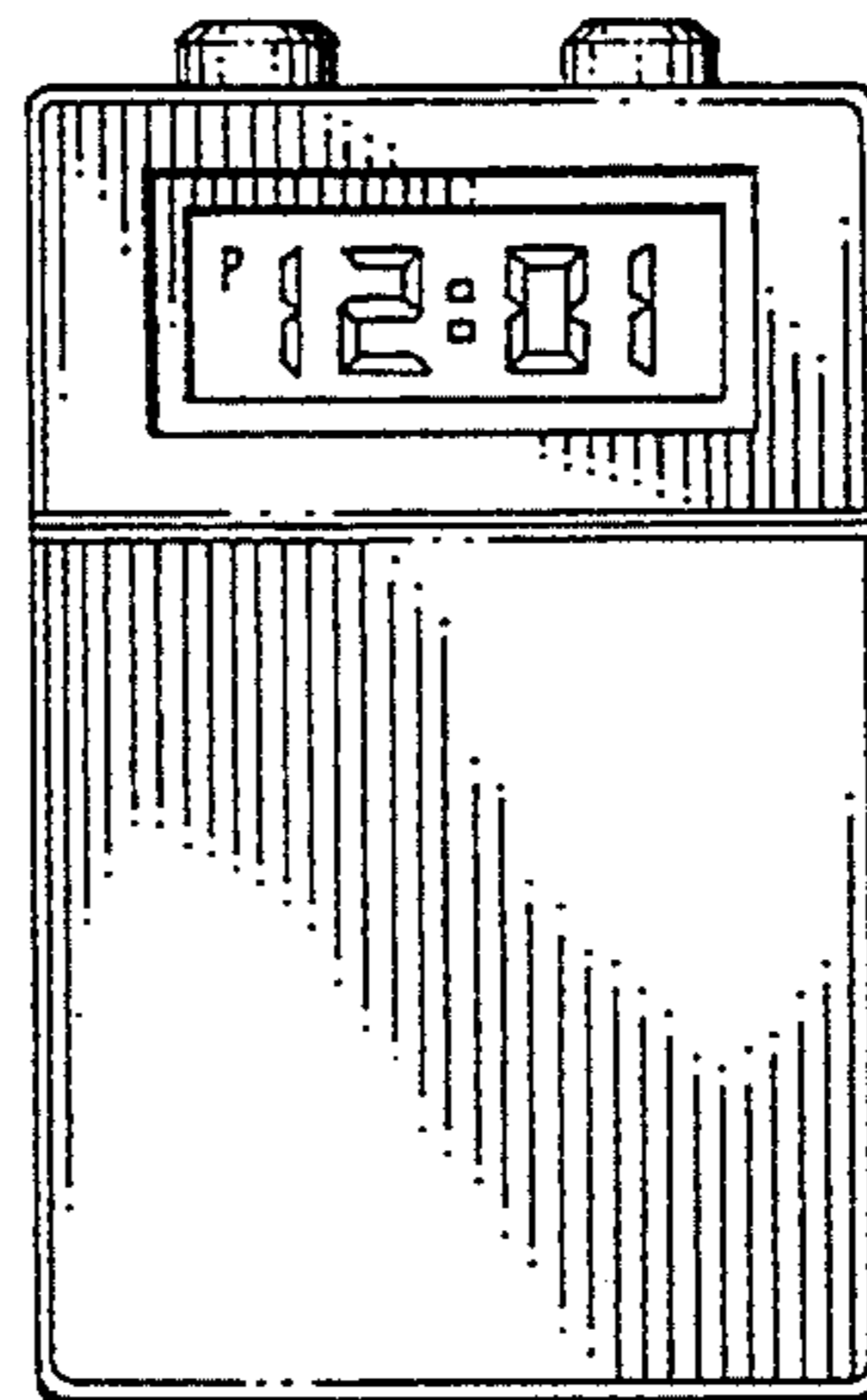


FIG. 3

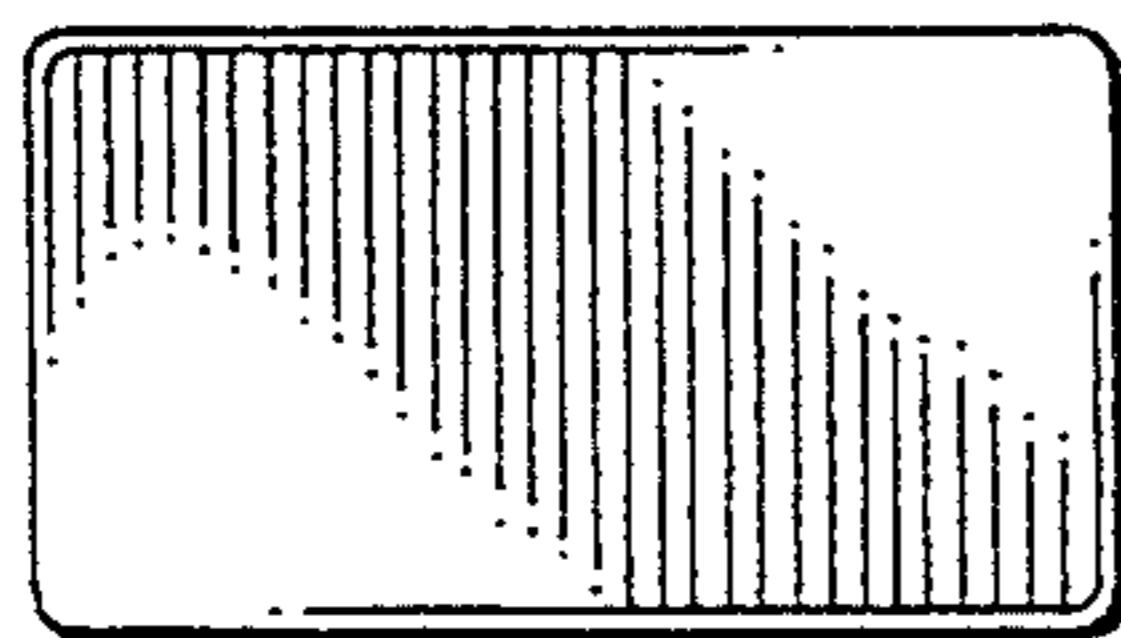


FIG. 5

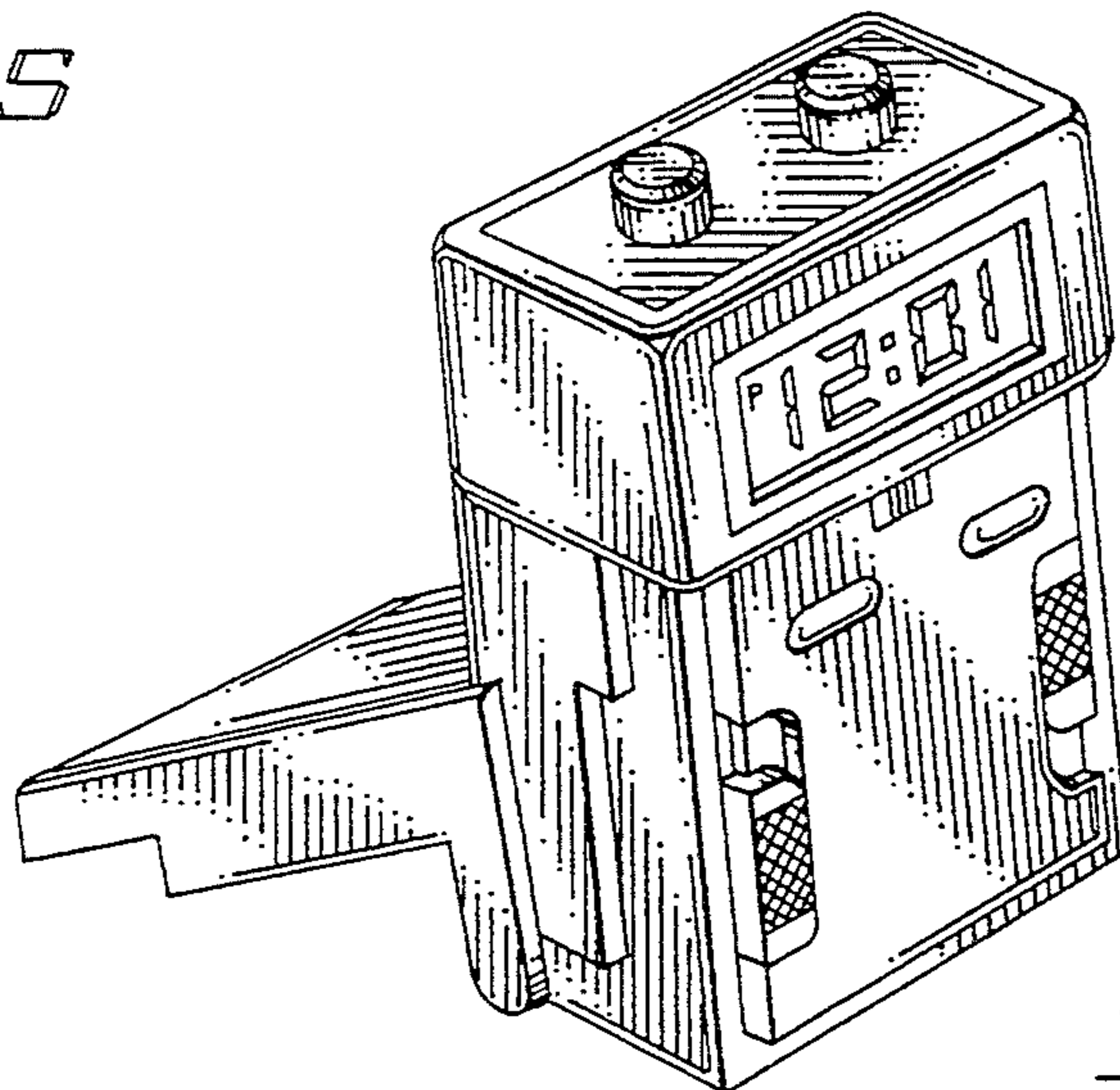


FIG. 7