



US00D360364S

United States Patent [19]

[11] Patent Number: **Des. 360,364**

Pijlman

[45] Date of Patent: **** Jul. 18, 1995**

[54] **COMBINED CLOCK AND PICTURE FRAME**

D. 323,468 1/1992 Peersmann D10/33
D. 326,055 5/1992 Africk D10/2
D. 352,664 11/1994 Peersmann D10/2

[75] Inventor: **Ron Pijlman**, Queensway, Hong Kong

Primary Examiner—Nelson C. Holtje
Attorney, Agent, or Firm—Cooper & Dunham

[73] Assignee: **I.D. Traders Limited**, Hong Kong

[**] Term: **14 Years**

[57] **CLAIM**

[21] Appl. No.: **11,068**

The ornamental design for a combined clock and picture frame, as shown and described.

[22] Filed: **Jul. 26, 1993**

DESCRIPTION

[30] **Foreign Application Priority Data**

FIG. 1 is a left front perspective view of a combined clock and picture frame showing my new design;
FIG. 2 is a left front perspective view showing the combined clock and picture frame in an open position;
FIG. 3 is a front elevational view;
FIG. 4 is a rear elevational view;
FIG. 5 is a top plan view;
FIG. 6 is a bottom view;
FIG. 7 is a right front elevational view;
FIG. 8 is a right front elevational view showing the combined clock and picture frame in its open position;
FIG. 9 is a view showing the inside upper body portion; and,
FIG. 10 is a view showing the inside lower body portion.

Feb. 8, 1993 [NL] Netherlands 23275

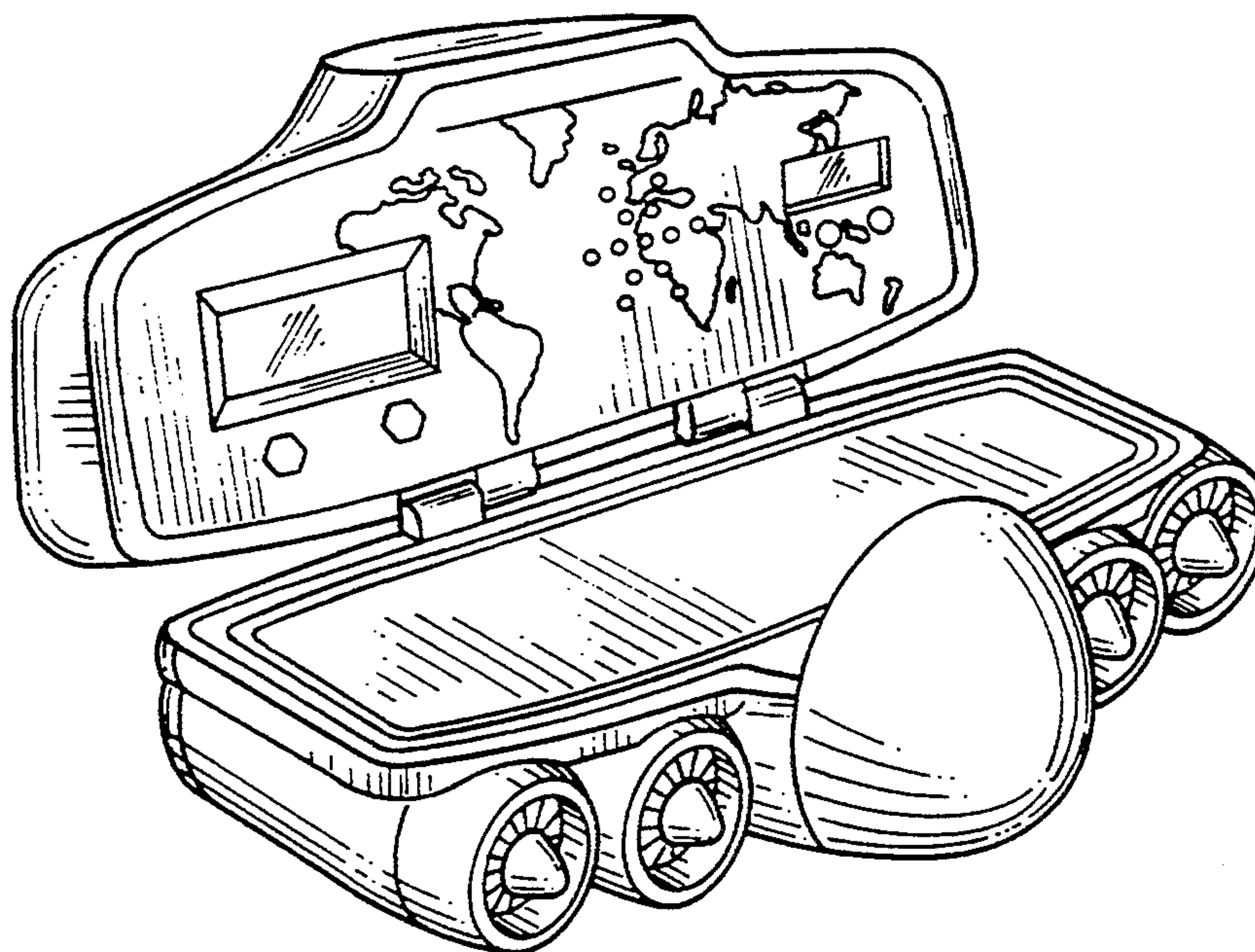
[52] U.S. Cl. **D10/2; D10/10; D10/12**

[58] Field of Search **D10/1-40, D10/122-126; D6/300, 303; 368/10, 21-26**

[56] **References Cited**

U.S. PATENT DOCUMENTS

D. 120,380 5/1940 Gordon D10/12
D. 120,865 6/1940 Lerman D10/12
D. 147,504 9/1947 Miller D10/12 X
D. 266,436 10/1982 Smith D10/2 X
D. 266,992 11/1982 Powell D10/2



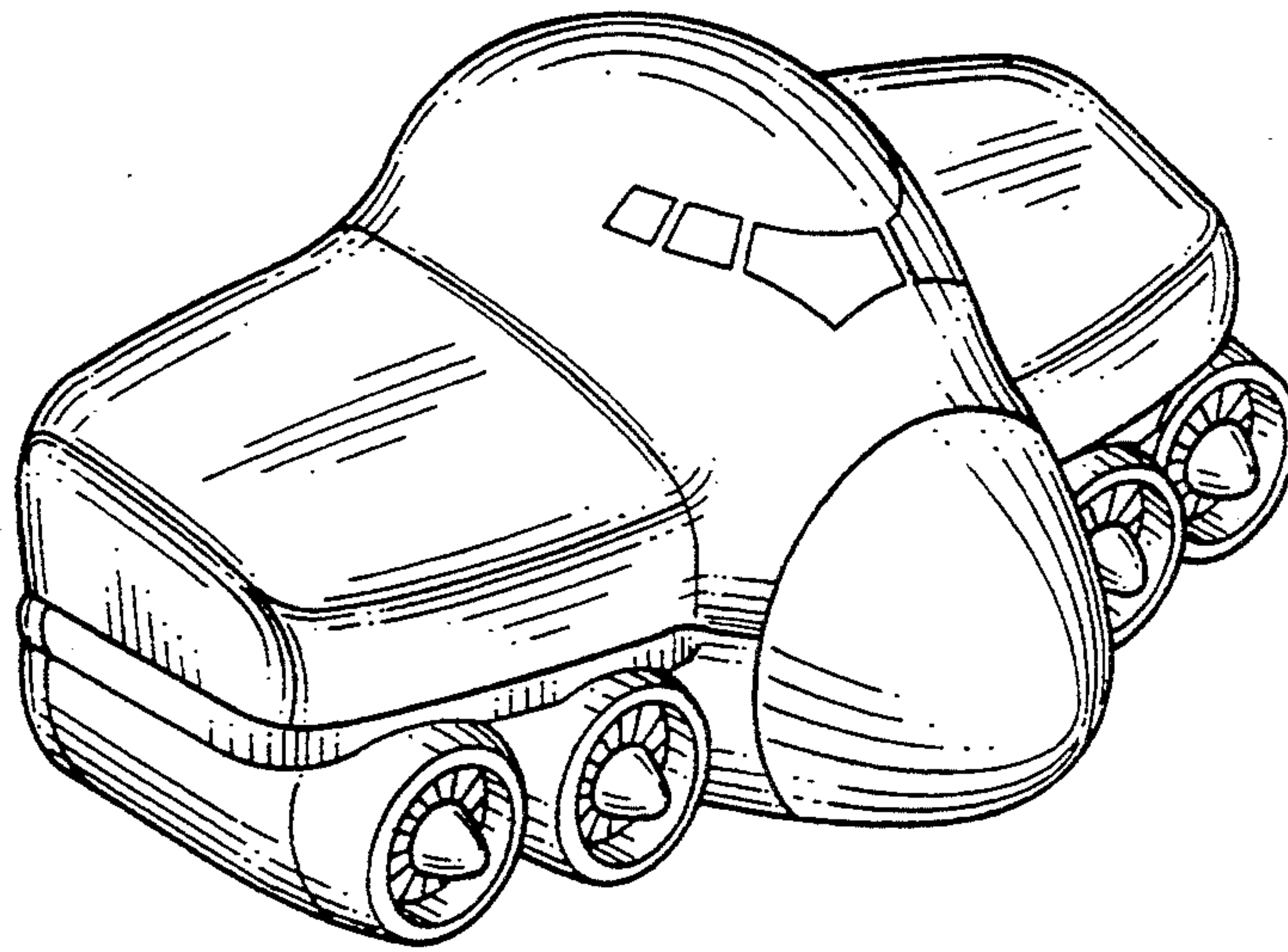


FIG. 1

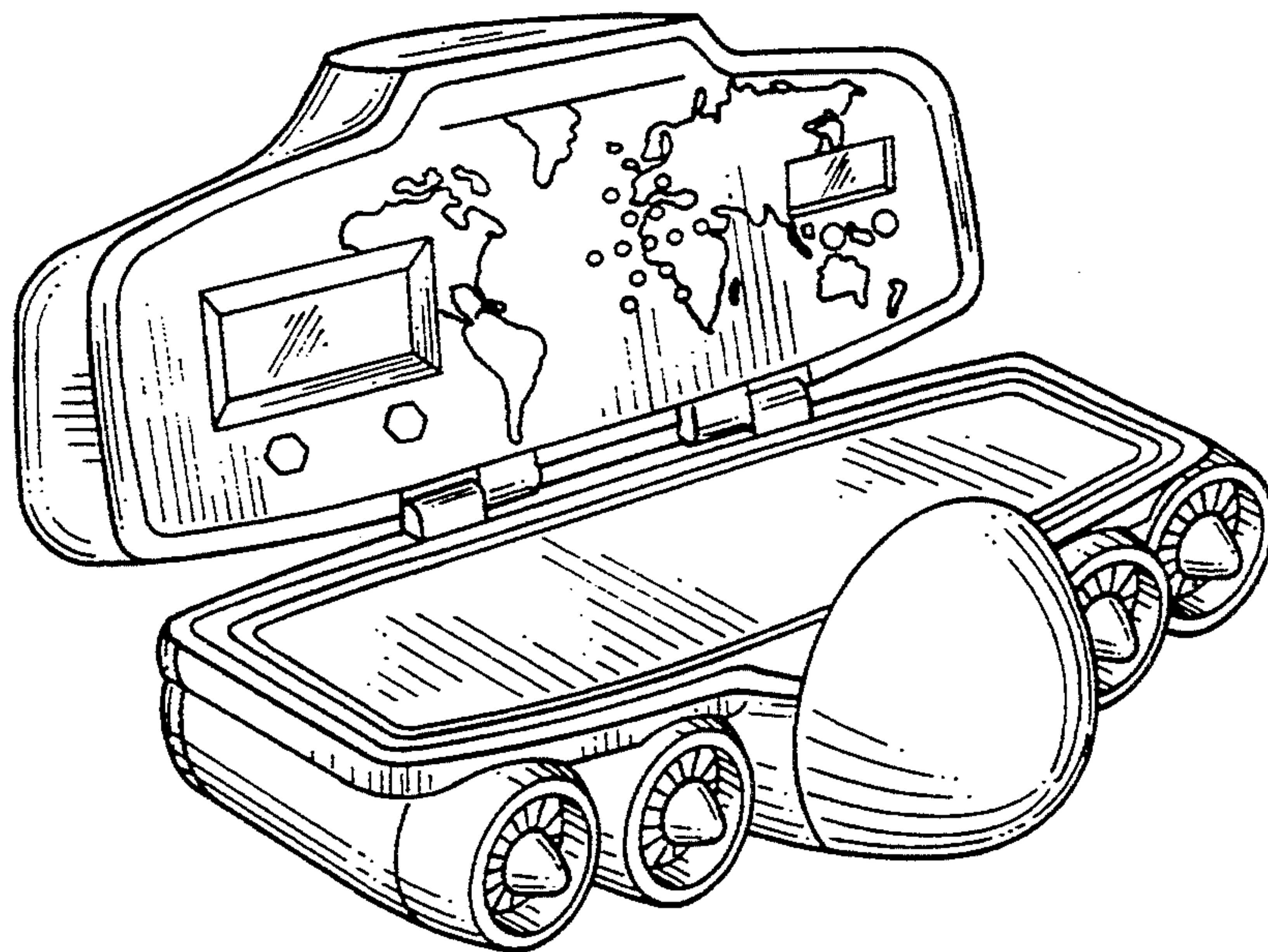


FIG. 2

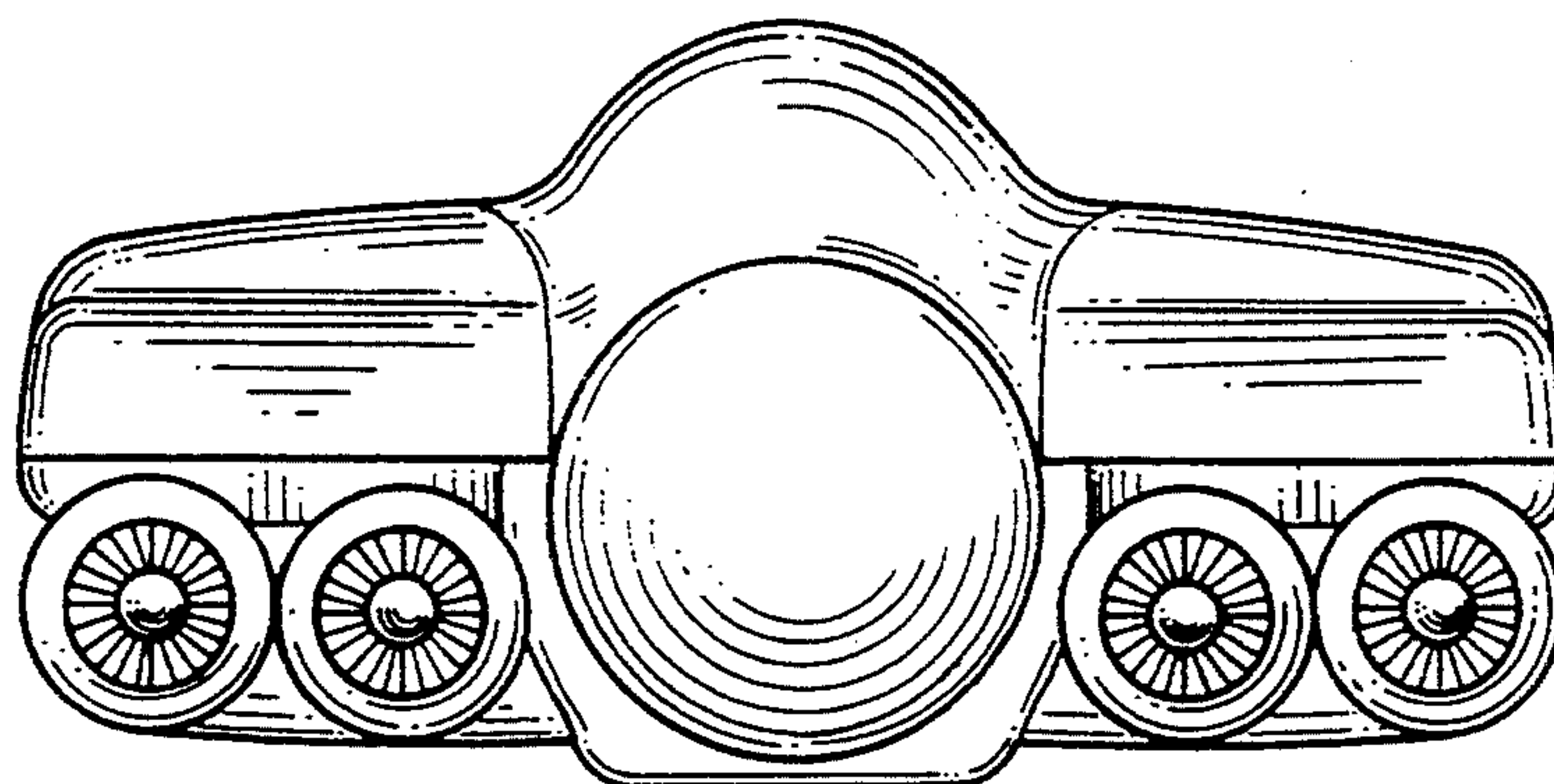


FIG. 3

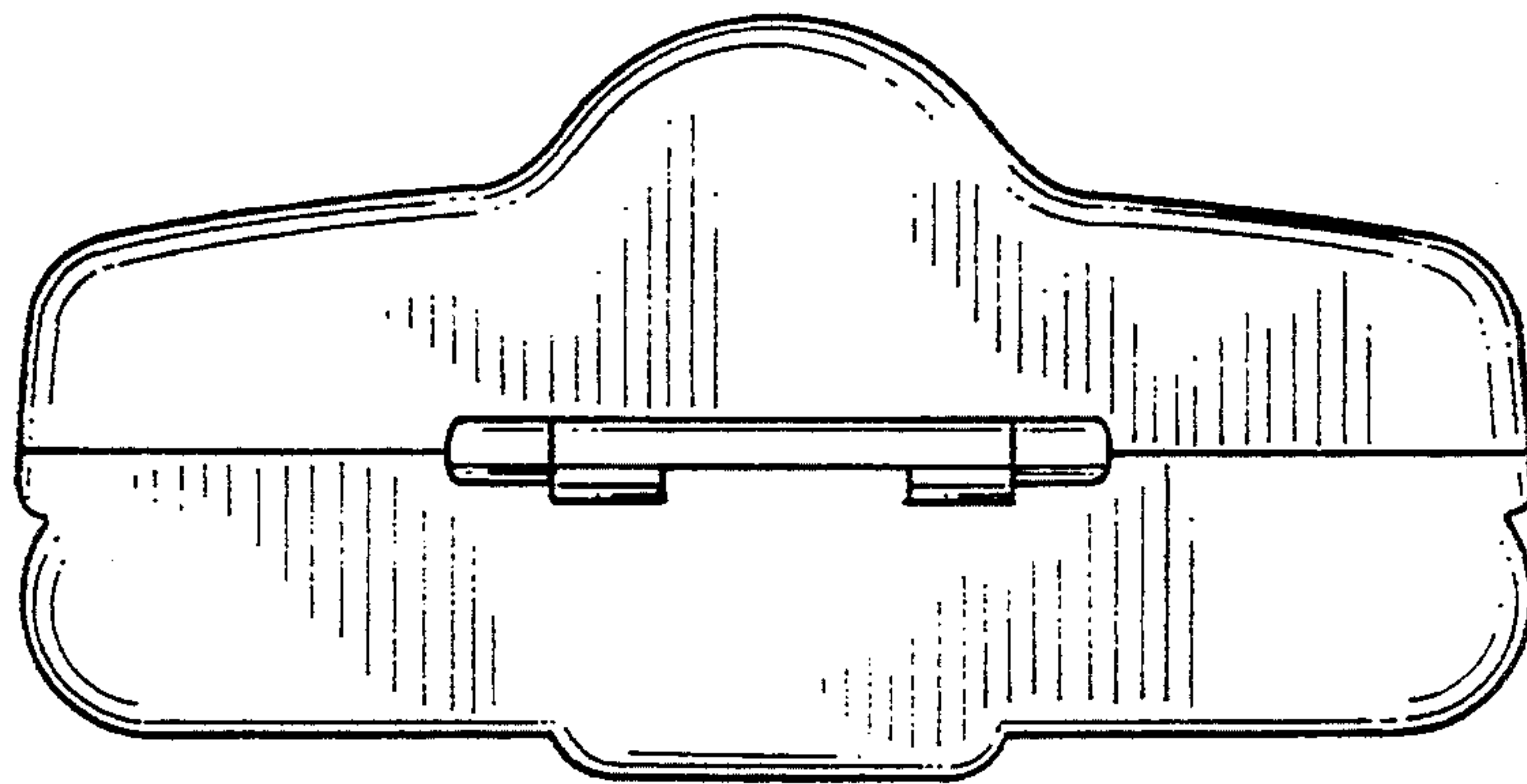


FIG. 4

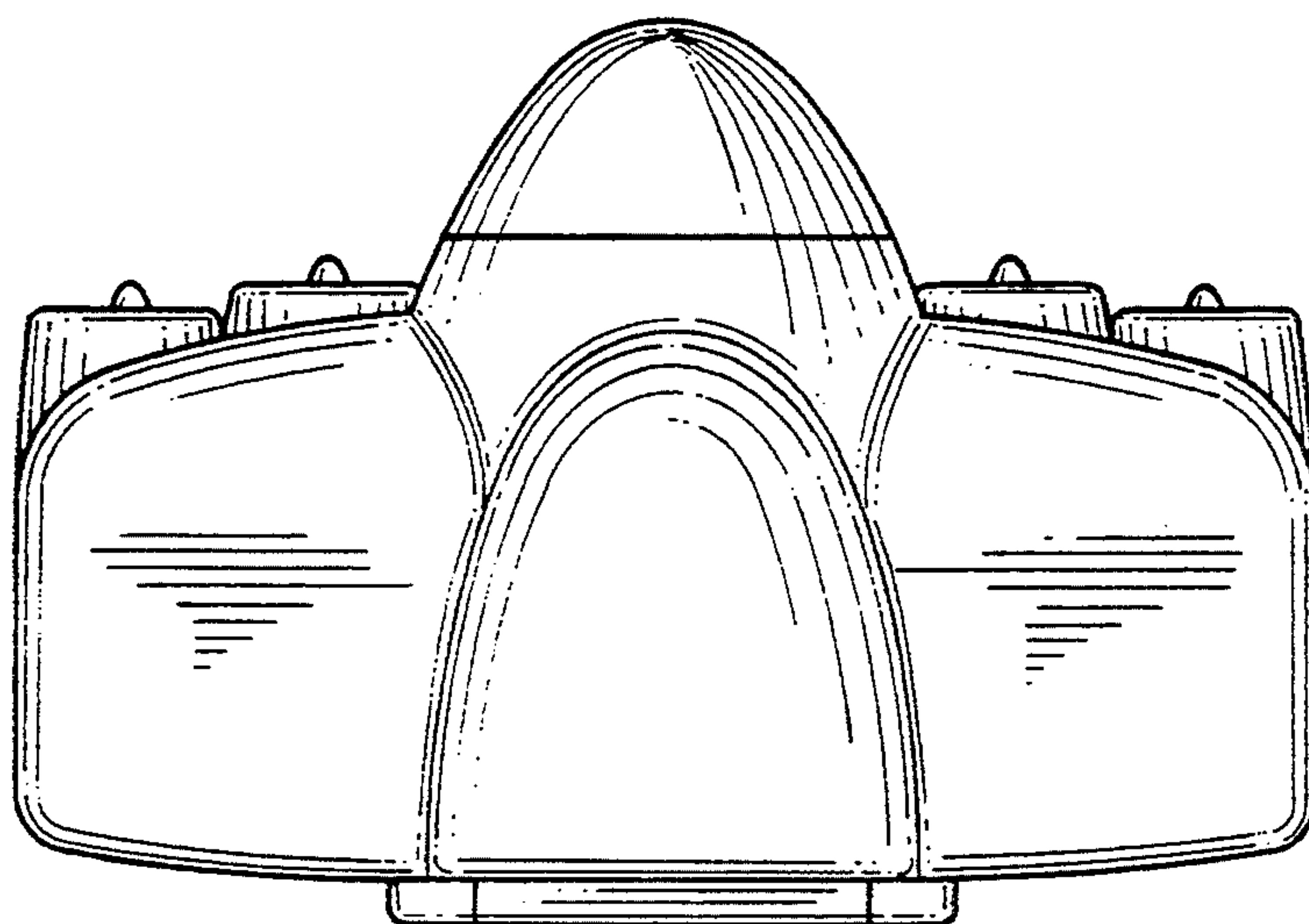


FIG. 5

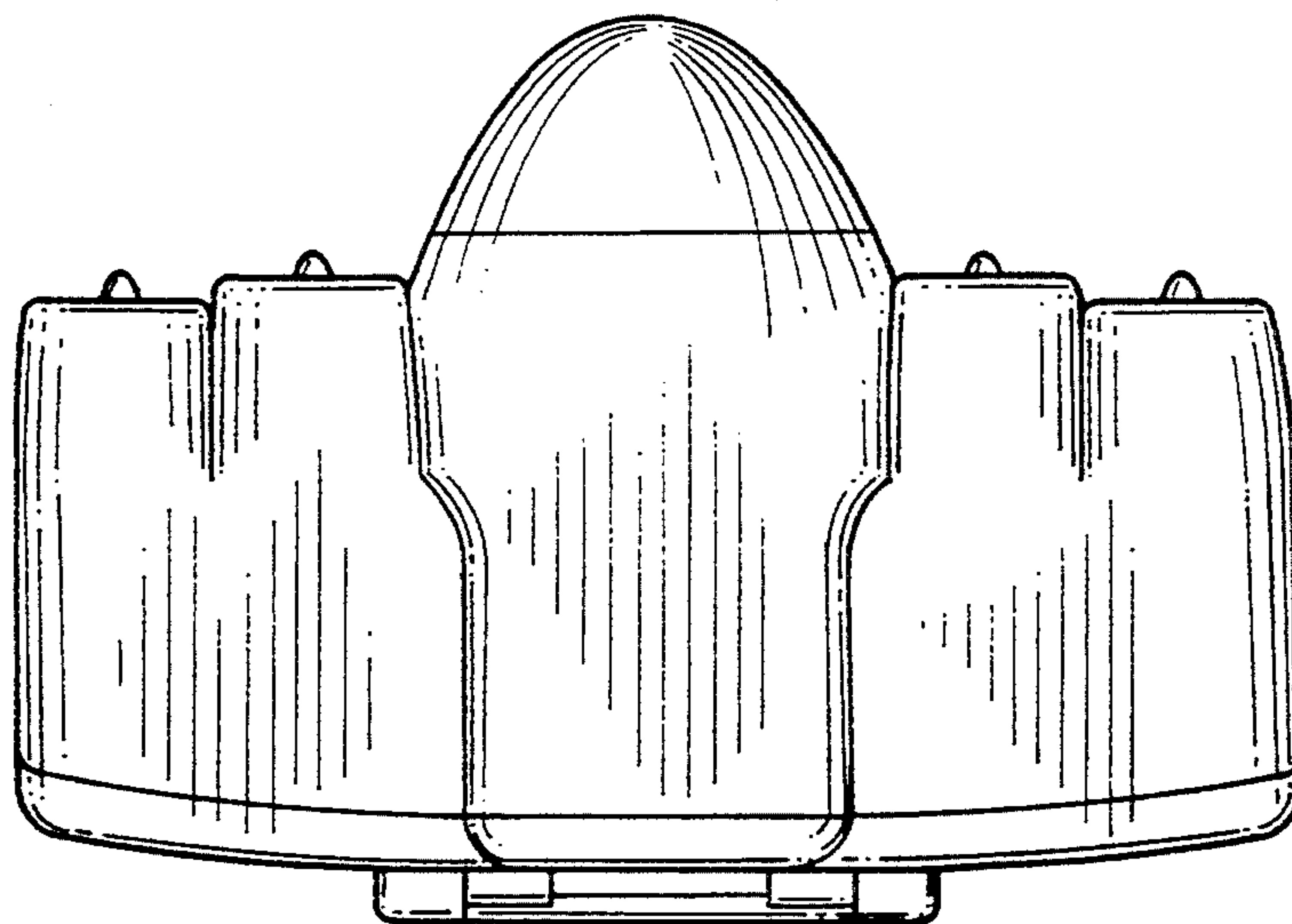


FIG. 6

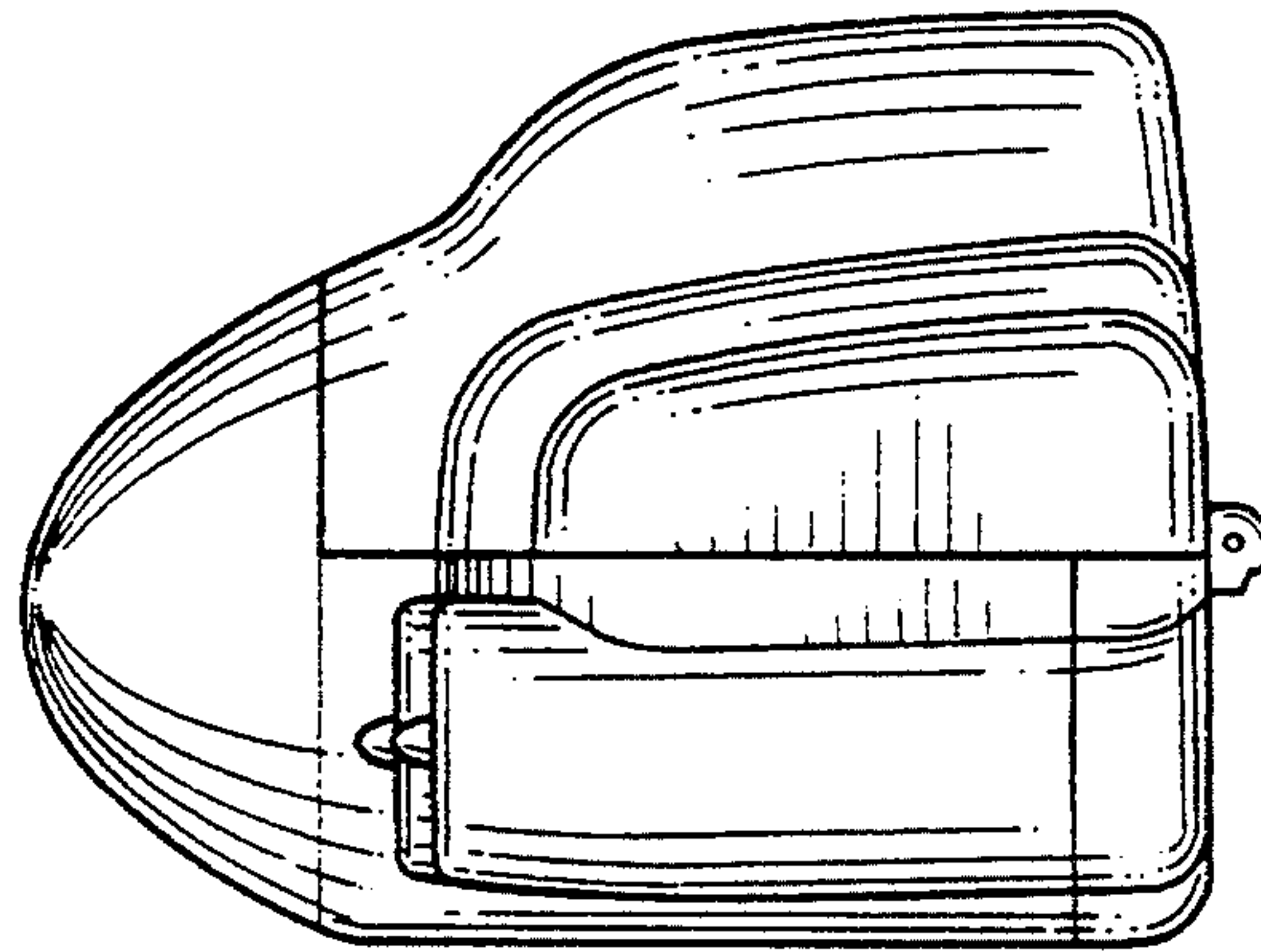


FIG. 7

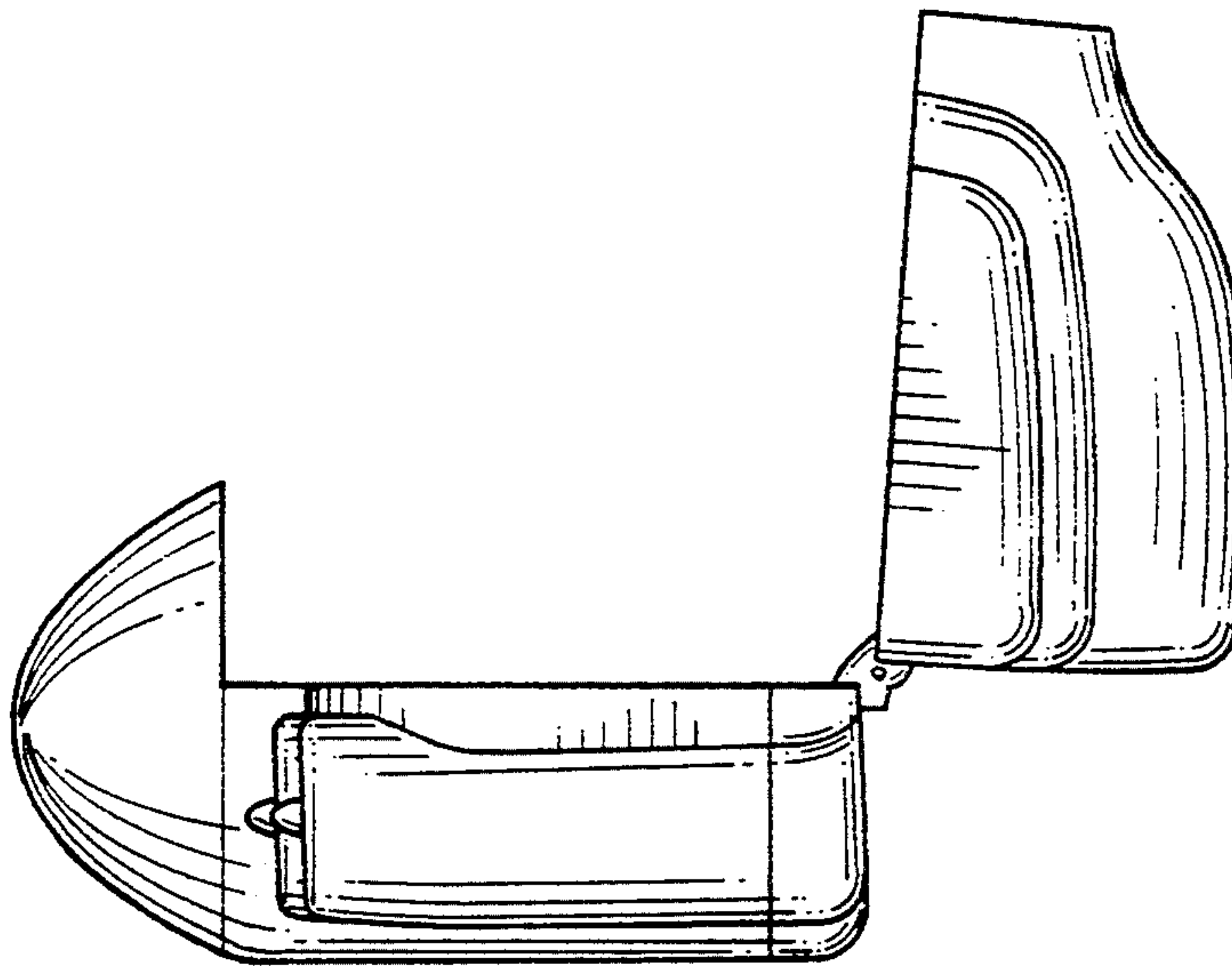


FIG. 8

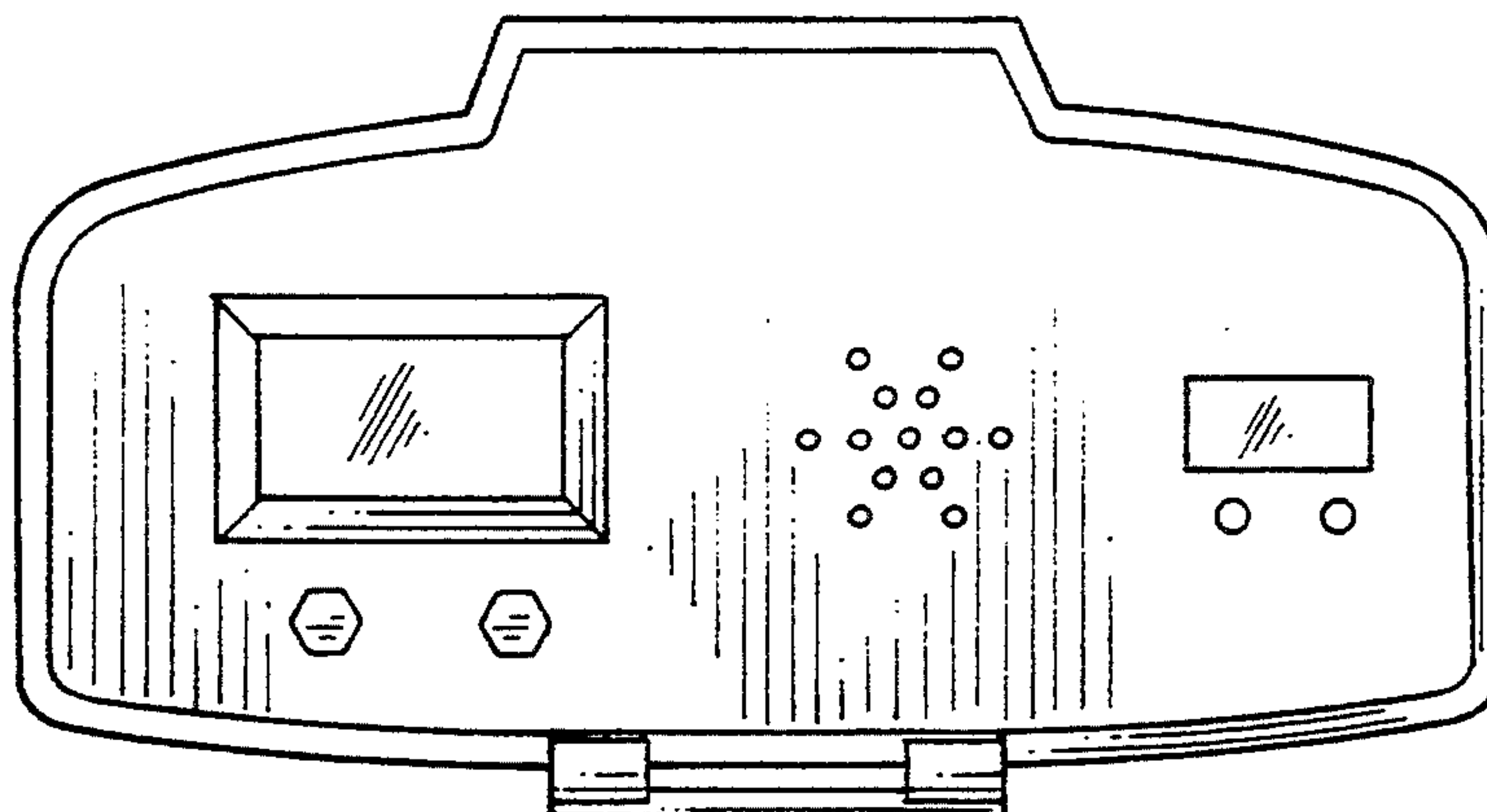


FIG. 9

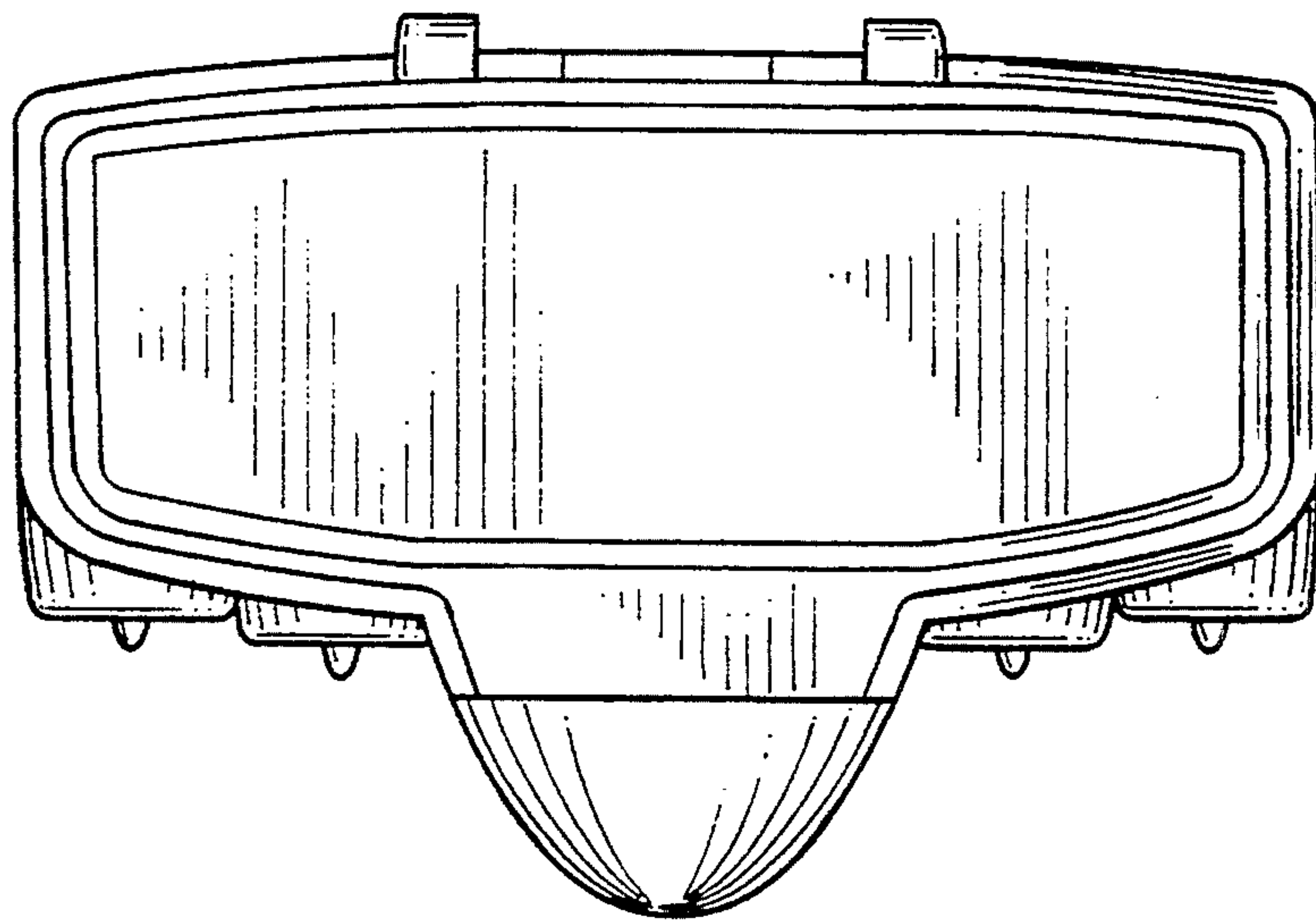


FIG. 10