



US00D360360S

United States Patent [19]

[11] Patent Number: Des. 360,360

Kiolbasa

[45] Date of Patent: ** Jul. 18, 1995

- [54] PACKAGE FOR A COMPACT DISC
- [75] Inventor: **Kenneth M. Kiolbasa**, Hillside, Ill.
- [73] Assignee: **Chicago Packaging Corporation**, Chicago, Ill.
- [**] Term: **14 Years**
- [21] Appl. No.: **19,591**
- [22] Filed: **Feb. 28, 1994**
- [52] U.S. Cl. **D9/433; D9/415; D9/346**
- [58] Field of Search **D9/346, 347, 433, 432, D9/415, 418, 414, 306, 456; D14/109, 117, 113, 120, 122, 136, 114; 206/307, 309-313, 387, 444, 820, 461, 303, 466, 806**

[56] **References Cited**
U.S. PATENT DOCUMENTS

D. 286,378	10/1986	Banfield	D9/346
D. 329,015	9/1992	Stoyanoff	D9/415 X
3,303,603	7/1963	Abeson .	
3,595,383	7/1971	Boylan .	
4,411,360	10/1983	Gardineer, Jr. et al.	206/313
4,566,590	1/1986	Manning et al.	206/312 X
4,653,639	3/1987	Traynor .	
4,694,954	9/1987	Moss .	
4,850,731	7/1989	Youngs	206/313 X
4,903,829	2/1990	Clemens	206/312 X
4,925,023	5/1990	Goldblatt et al. .	
5,088,599	2/1992	Mahler .	
5,101,973	4/1992	Martinez .	
5,154,284	10/1992	Starkey	206/313 X
5,188,229	2/1993	Bernstein .	
5,205,405	4/1993	O'Brien et al. .	
5,248,032	9/1993	Sheu et al. .	
5,307,927	5/1994	Curtis et al.	206/45.14 X

Primary Examiner—Prabhakar G. Deshmukh
 Attorney, Agent, or Firm—Wallenstein & Wagner, Ltd.

[57] **CLAIM**

The ornamental design for a package for a compact disc, as shown and described.

DESCRIPTION

FIG. 1 is a perspective front view of a first embodiment of my package for a compact disc in the open position showing my new design;
 FIG. 2 is a front elevation view of my first embodiment of my package for a compact disc in the open position;
 FIG. 3 is a left side elevation view of my first embodi-

ment of my package for a compact disc in the open position ;
 FIG. 4 is a right side elevation view of my first embodiment of my package for a compact disc in the open position;
 FIG. 5 is a rear elevation view of my first embodiment of my package for a compact disc in the open position;
 FIG. 6 is a top plan view of my first embodiment of my package for a compact disc in the open position;
 FIG. 7 is a bottom plan view of my first embodiment of my package for a compact disc in the open position;
 FIG. 8 is a perspective front view of a second embodiment of my package for a compact disc in the open position showing my new design;
 FIG. 9 is a front elevation view of my second embodiment of my package for a compact disc in the open position;
 FIG. 10 is a left side elevation view of my second embodiment of my package for a compact disc in the open position;
 FIG. 11 is a right side elevation view of my second embodiment of my package for a compact disc in the open position;
 FIG. 12 is a top plan view of my second embodiment of my package for a compact disc in the open position;
 FIG. 13 is a bottom plan view of my second embodiment of my package for a compact disc in the open position;
 FIG. 14 is a rear elevation view of my second embodiment of my package for a compact disc in the open position;
 FIG. 15 is a perspective front view of a third embodiment of my package for a compact disc in the open position showing my new design;
 FIG. 16 is a front elevation view of my third embodiment of my package for a compact disc in the open position;
 FIG. 17 is a left side elevational view of my third embodiment of my package for a compact disc in the open position, the right side elevation view being a mirror image thereof;
 FIG. 18 is a top plan view of my third embodiment of my package for a compact disc in the open position;
 FIG. 19 is a bottom plan view of my third embodiment of my package for a compact disc in the open position;
 and,
 FIG. 20 is a rear elevation view of my third embodiment of my package for a compact disc in the open position.

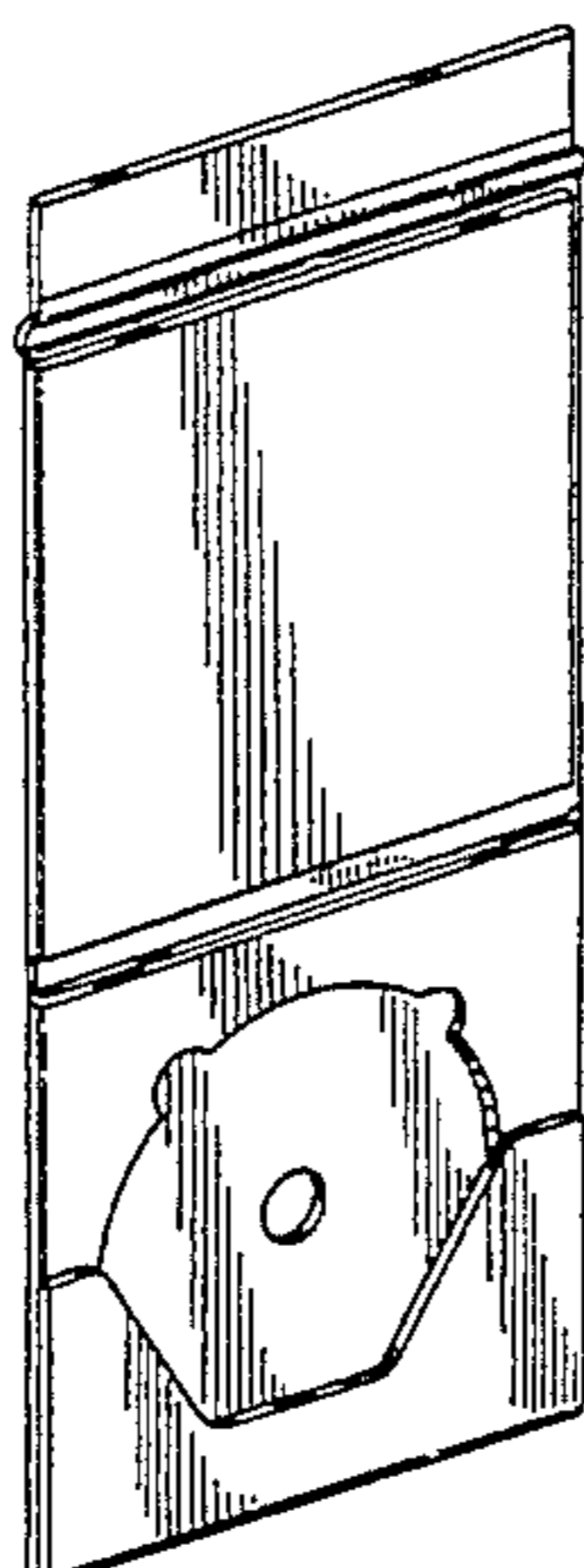


FIG.1

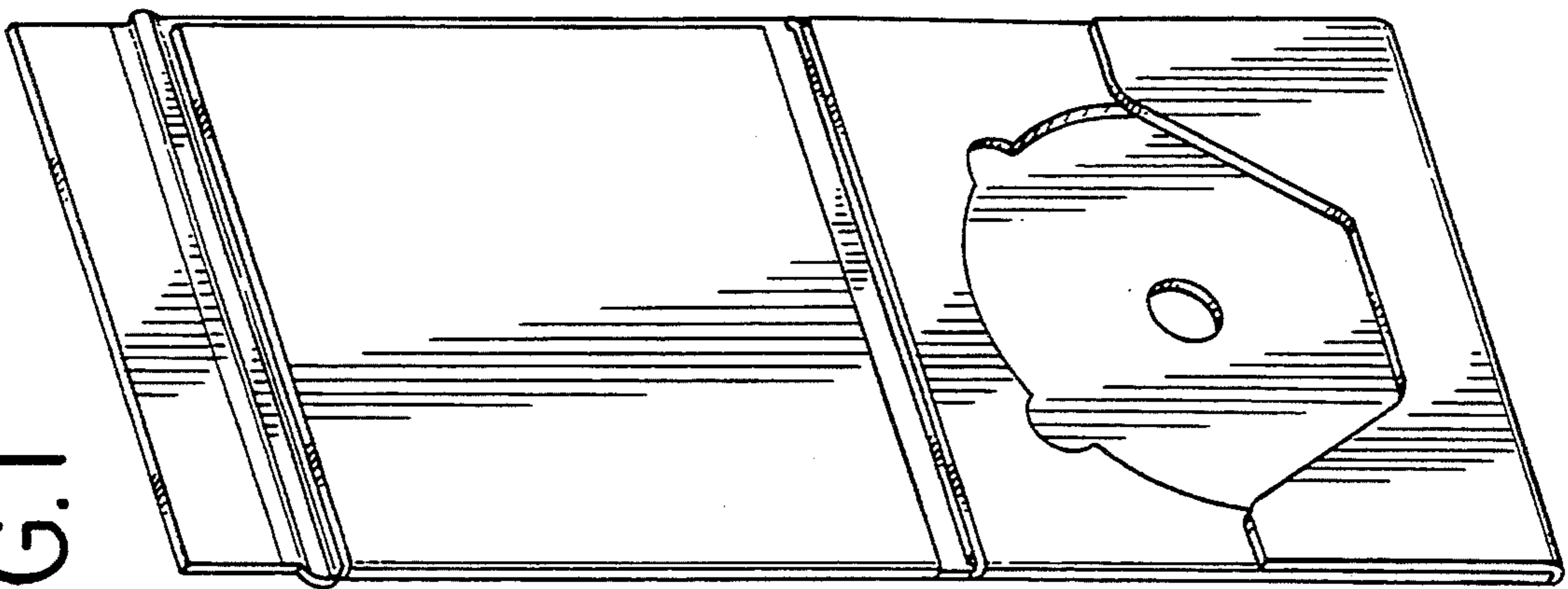


FIG.2

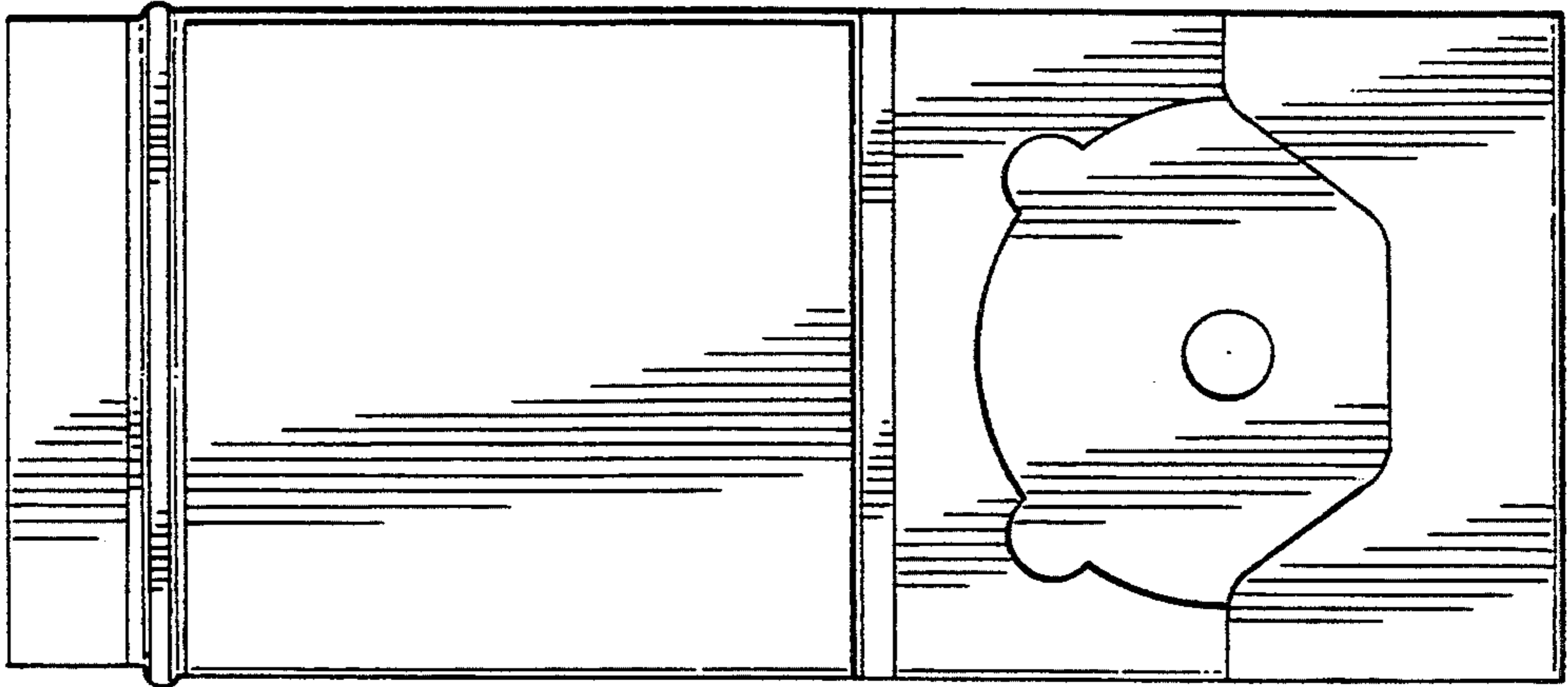


FIG.3

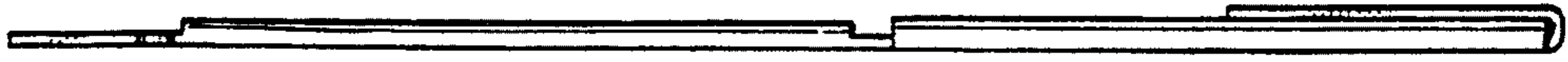


FIG.4



FIG.5

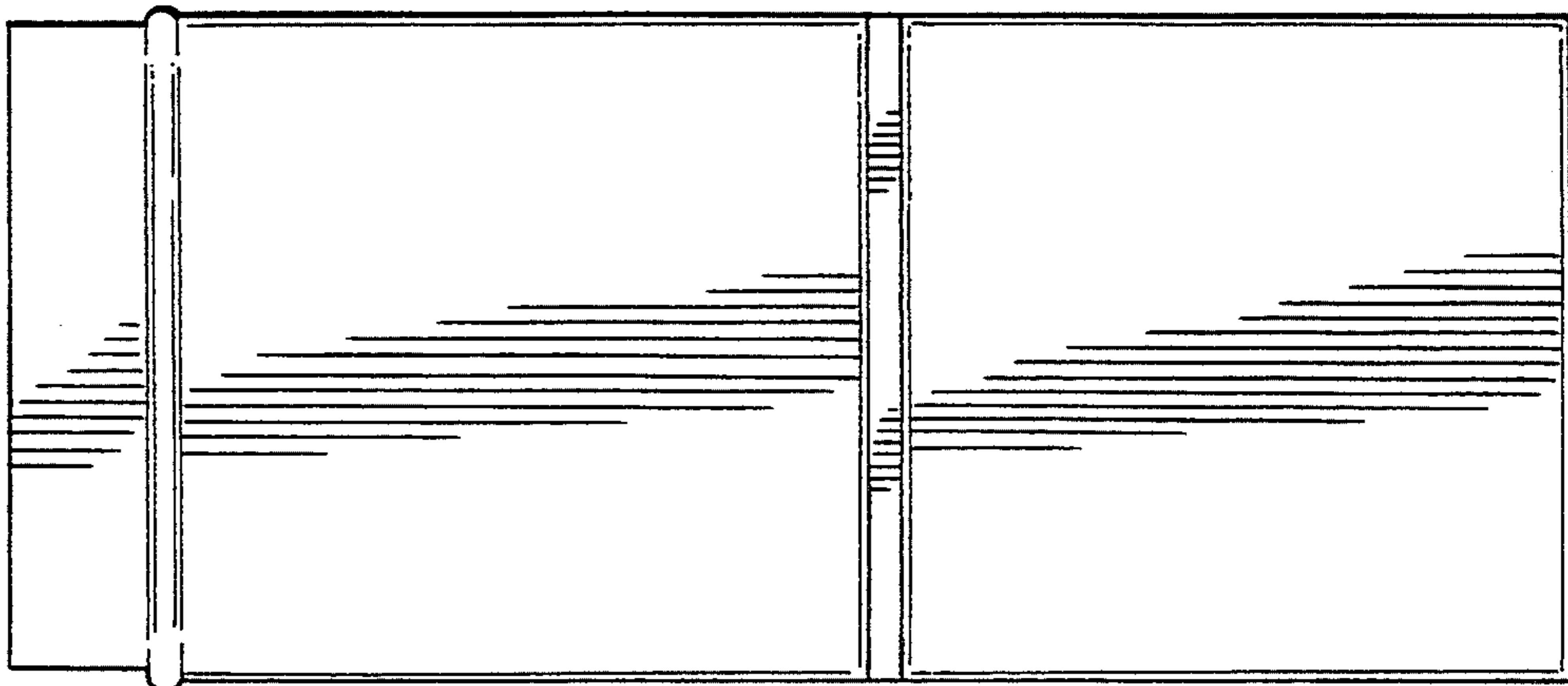


FIG.6



FIG.7



FIG. 8

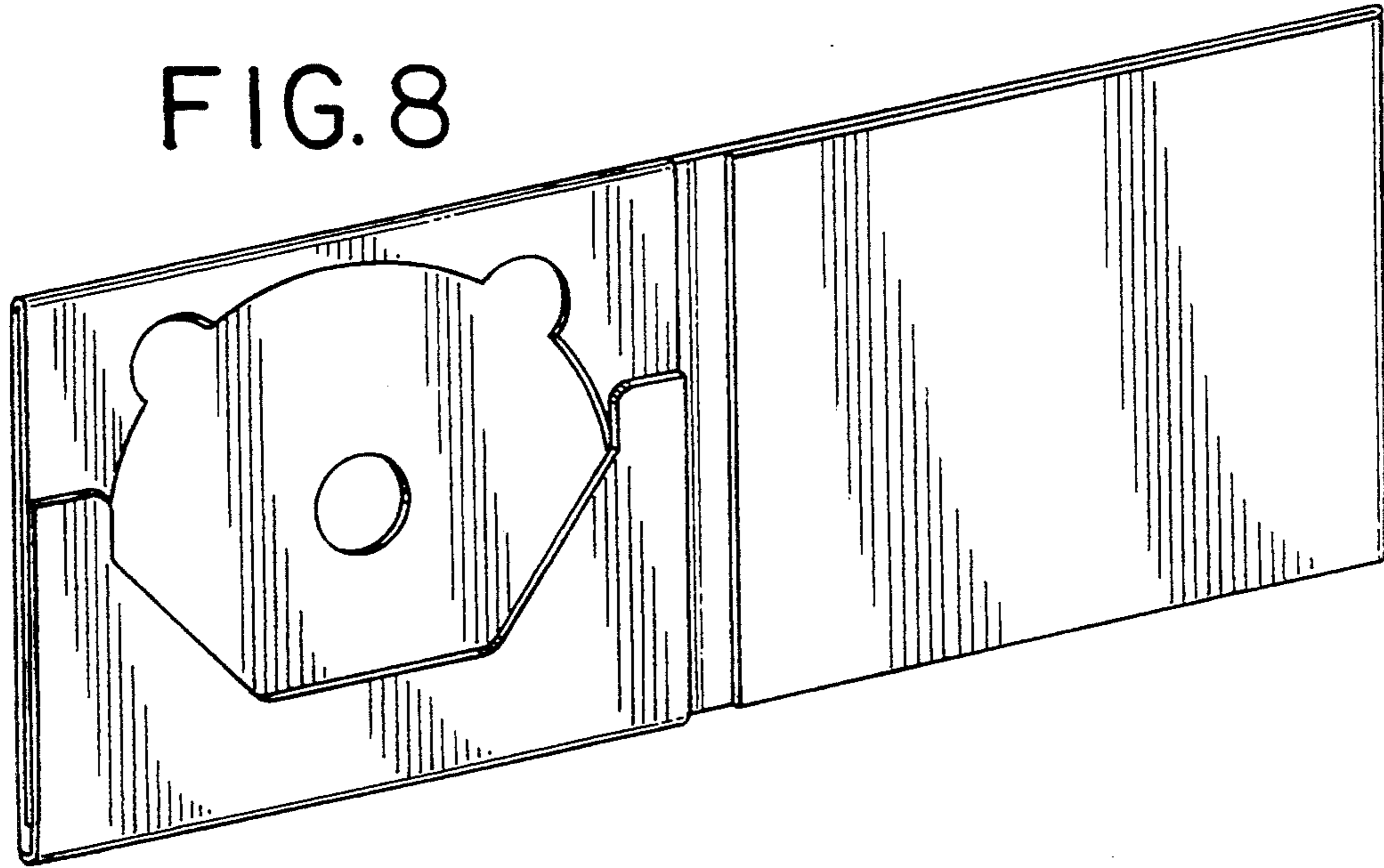


FIG. 9

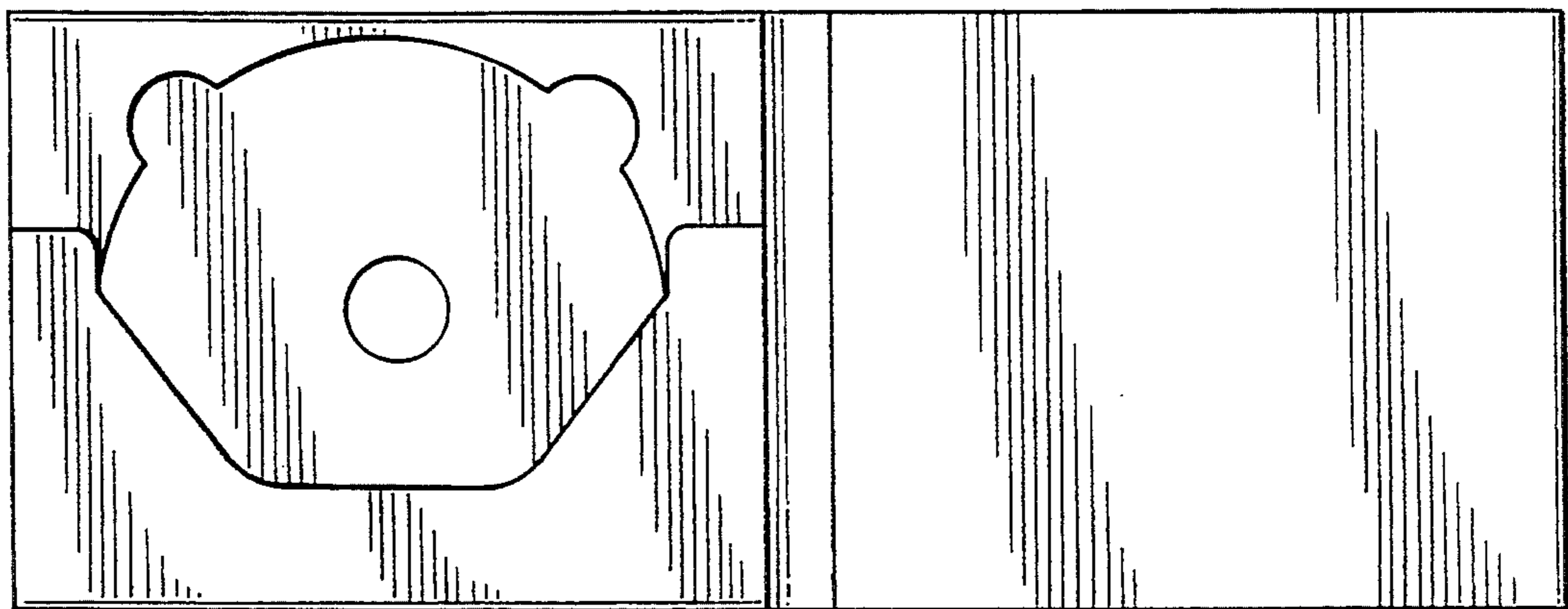


FIG. 10



FIG. 11



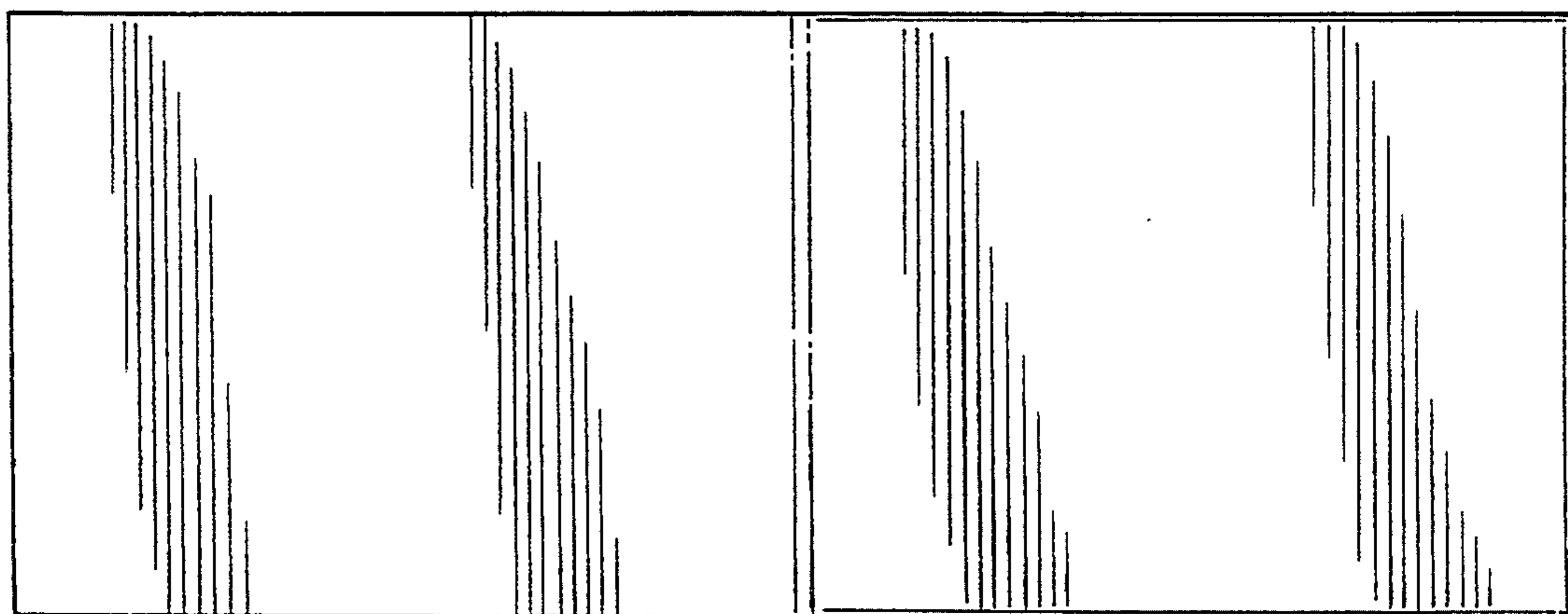
FIG. 12



FIG. 13



FIG. 14



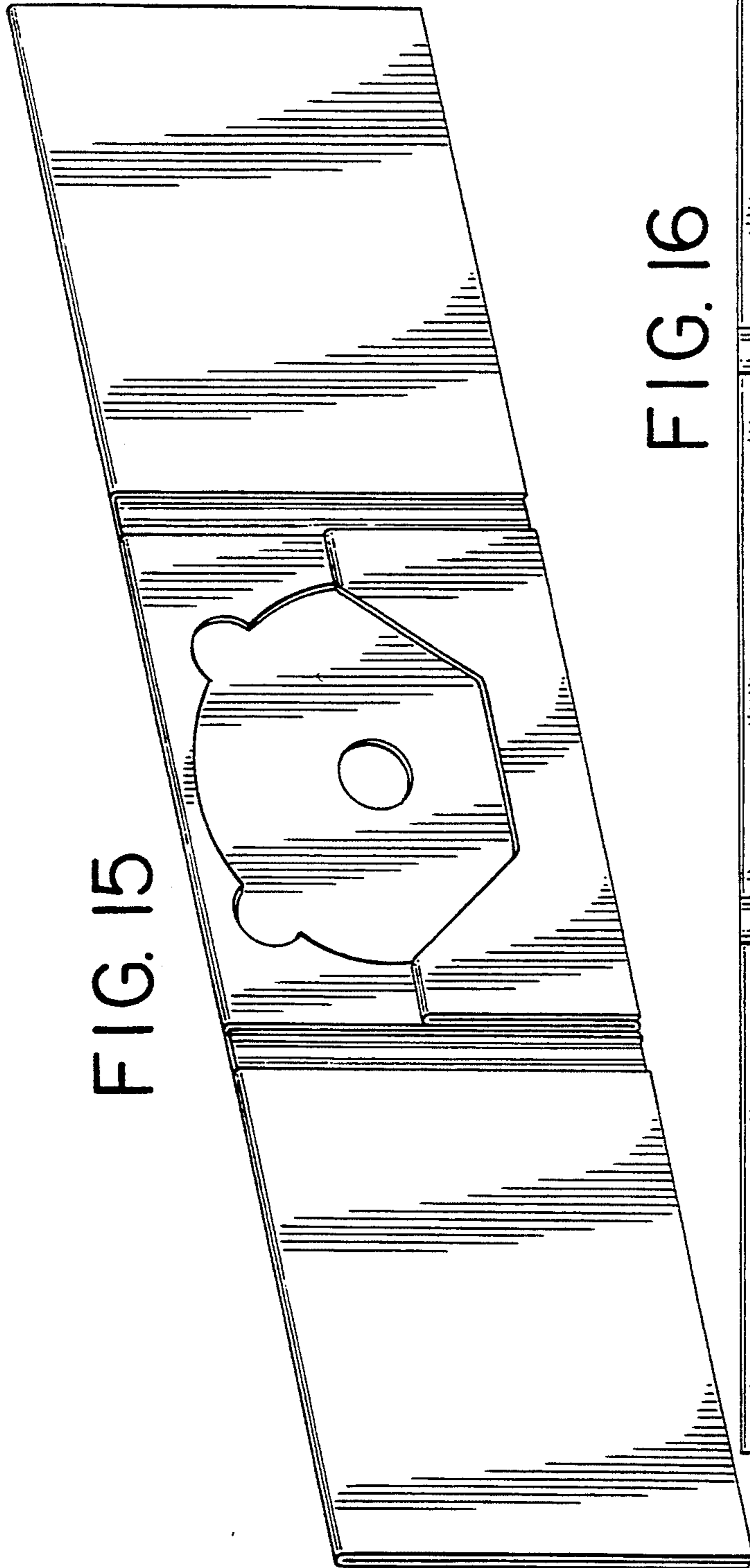


FIG. 16

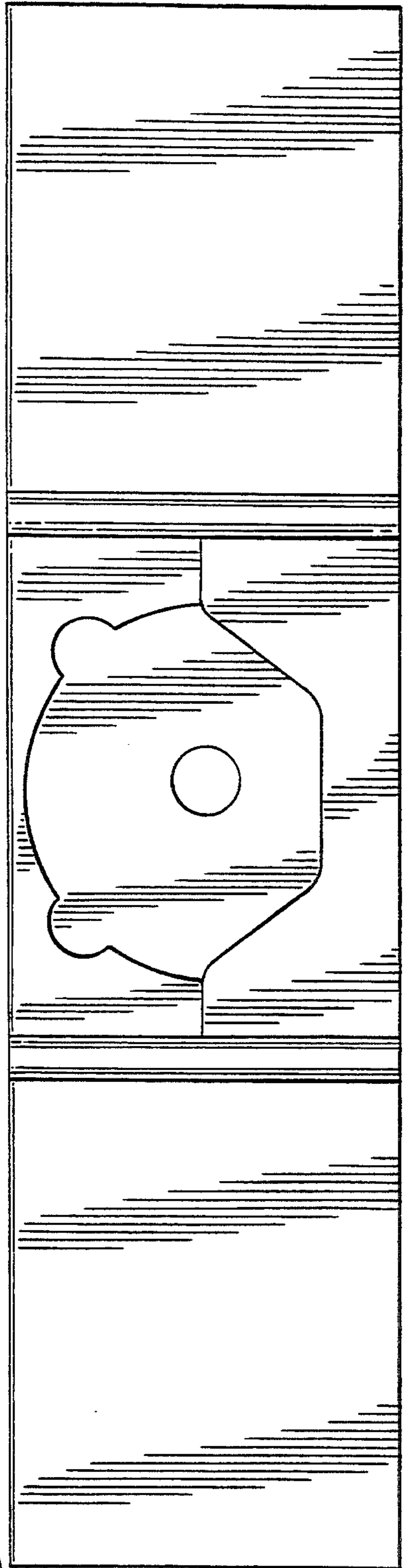


FIG. 17



FIG. 18



FIG. 19



FIG. 20

