



US00D360358S

United States Patent [19]
Steinfels, III

[11] **Patent Number: Des. 360,358**

[45] **Date of Patent: ** Jul. 18, 1995**

[54] **PRODUCT ACCESSIBLE DISPLAY CONTAINER**

[75] **Inventor: Victor E. Steinfels, III, Dublin, Ohio**

[73] **Assignee: Joan P. Steinfels, Dublin, Ohio**

[**] **Term: 14 Years**

[21] **Appl. No.: 27,532**

[22] **Filed: Aug. 24, 1994**

Related U.S. Application Data

[63] Continuation of Ser. No. 125,648, Sep. 22, 1993, Pat. No. 5,348,145.

[52] **U.S. Cl. D9/415**

[58] **Field of Search D9/415, 418, 424, 346, D9/414, 337, 455; 206/45.14, 45.19, 45.31, 45.34, 45.15, 303, 426, 521, 588, 591, 446**

[56] **References Cited**

U.S. PATENT DOCUMENTS

D. 332,744 1/1993 McCooey D9/418 X

D. 334,534 4/1993 Friz et al. D9/415
D. 348,000 6/1994 Strasevicz et al. D9/418 X
3,481,453 12/1969 Shreve, III et al. 206/45.31
3,896,927 7/1975 Dutcher 206/45.14
4,385,687 5/1983 Dutcher 206/45.19 X
5,156,276 10/1992 Lebowitz 206/45.14 X

OTHER PUBLICATIONS

Packaging 1963 Cat, p. 258, Item #892.

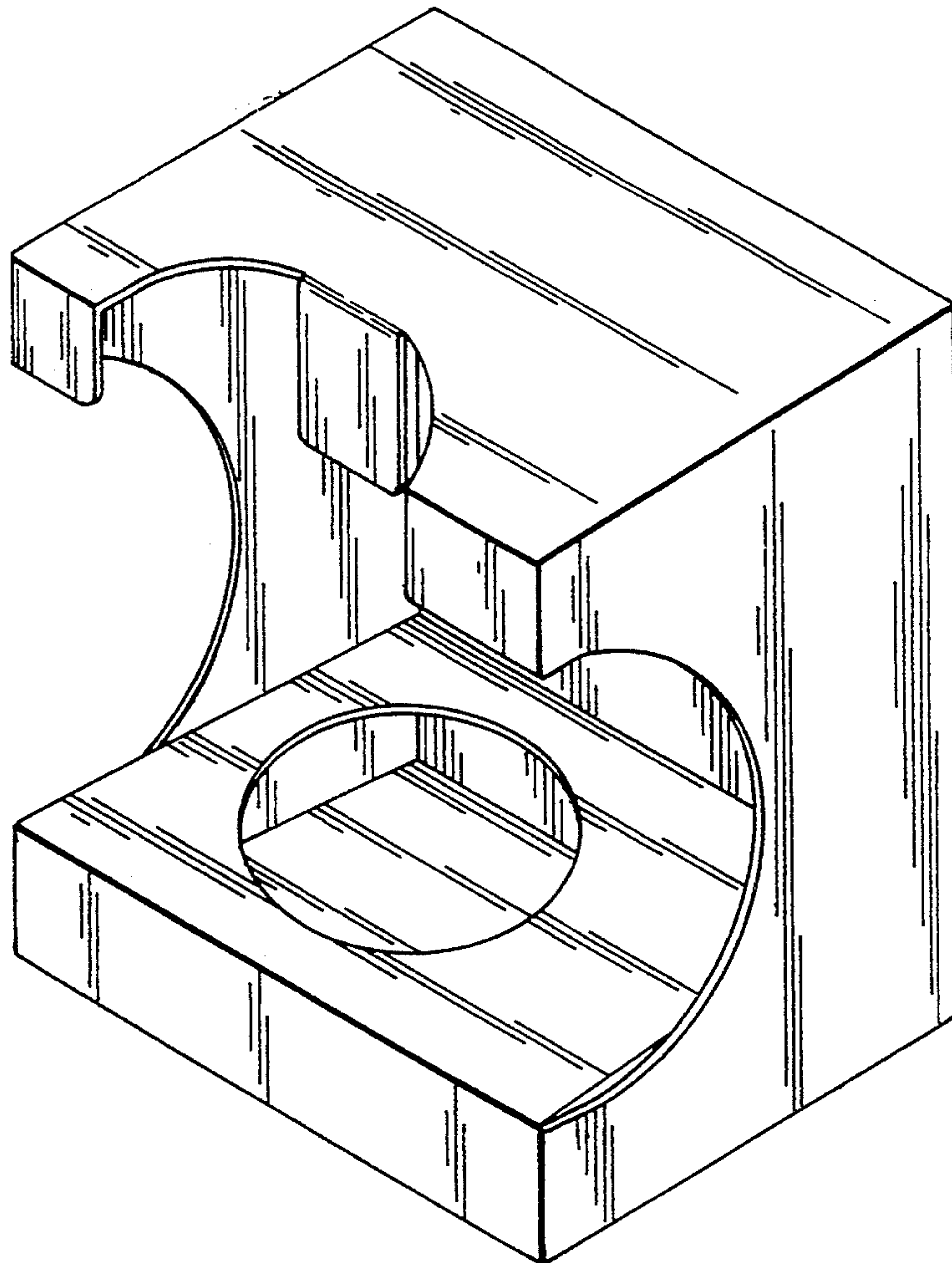
Primary Examiner—Prabhakar G. Deshmukh
Attorney, Agent, or Firm—Mueller and Smith

[57] **CLAIM**

The ornamental design for a product accessible display container, as shown and described.

DESCRIPTION

FIG. 1 is a perspective view of a product accessible display container showing my new design;
FIG. 2 is a front view thereof;
FIG. 3 is a side view thereof;
FIG. 4 is a back view thereof;
FIG. 5 is a top view thereof; and,
FIG. 6 is a bottom view thereof.



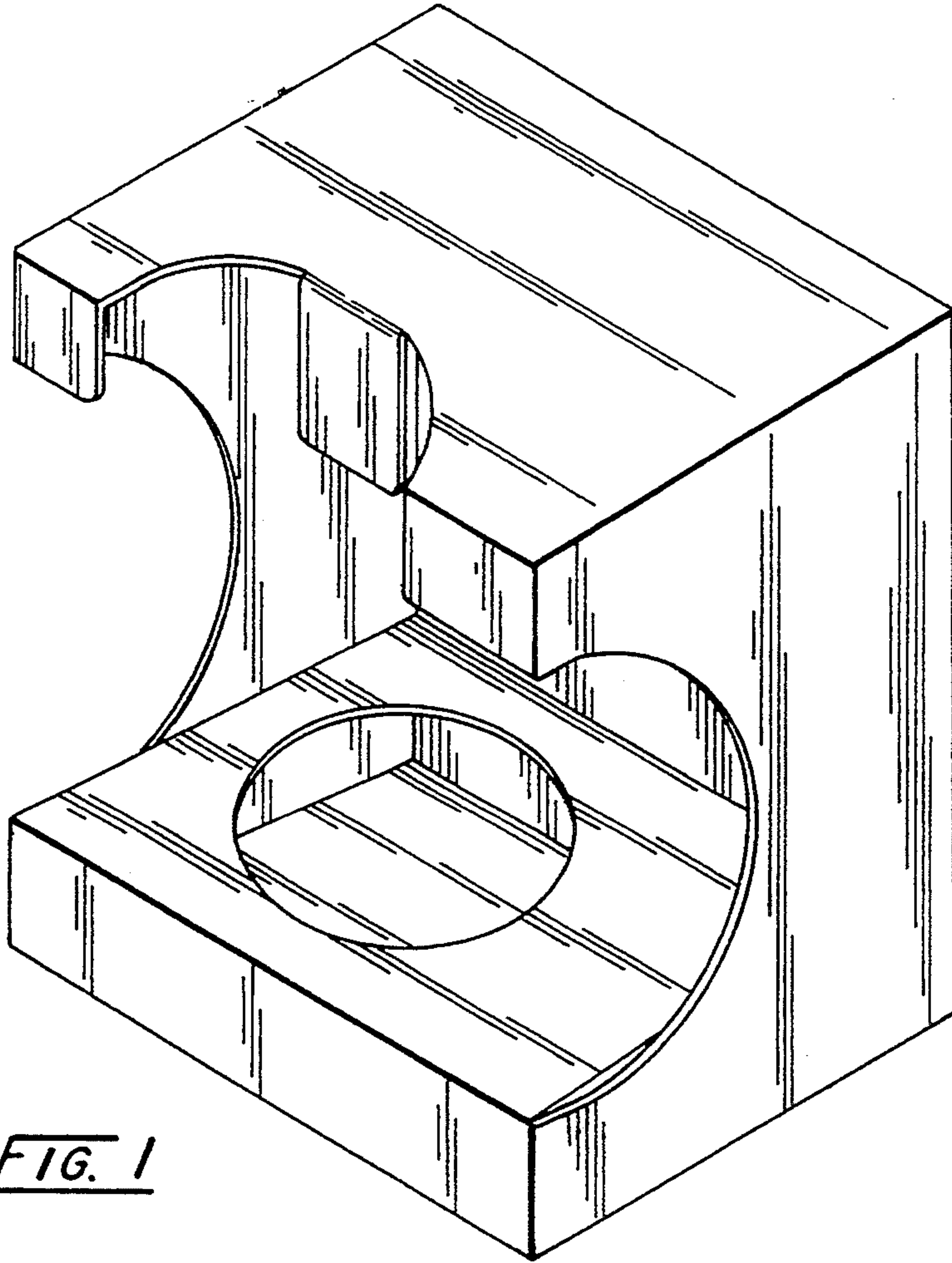
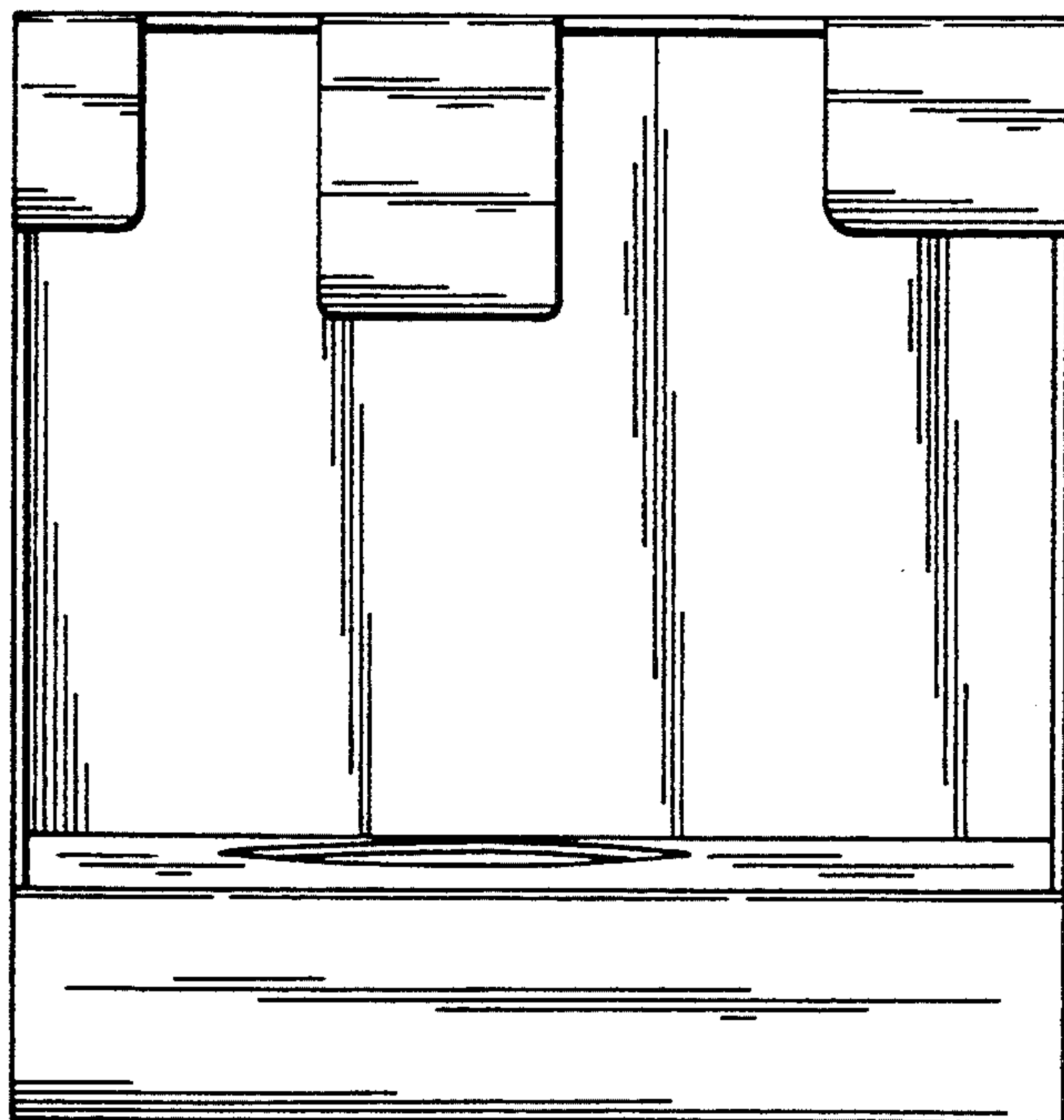


FIG. 1

FIG. 2



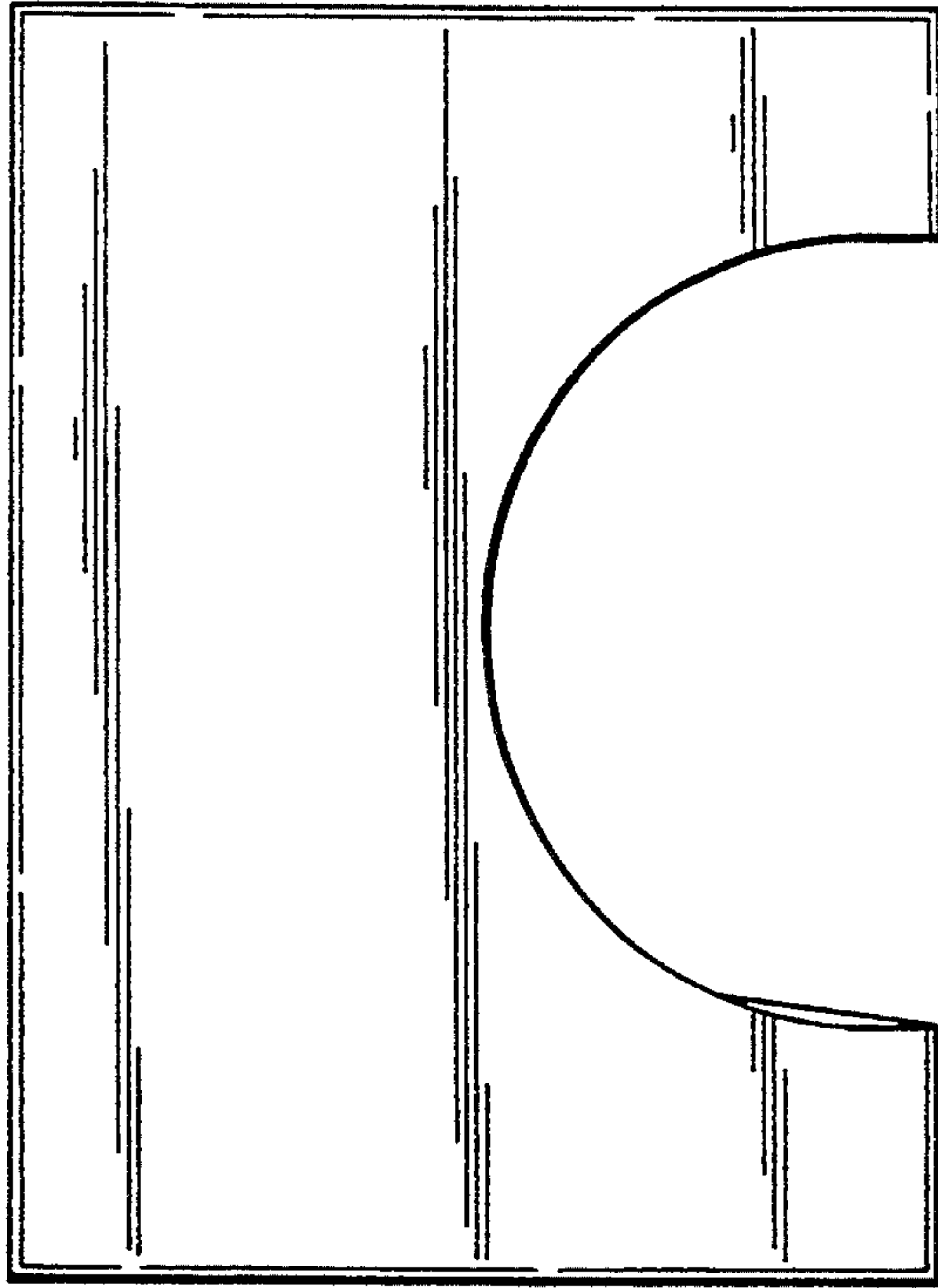


FIG. 3

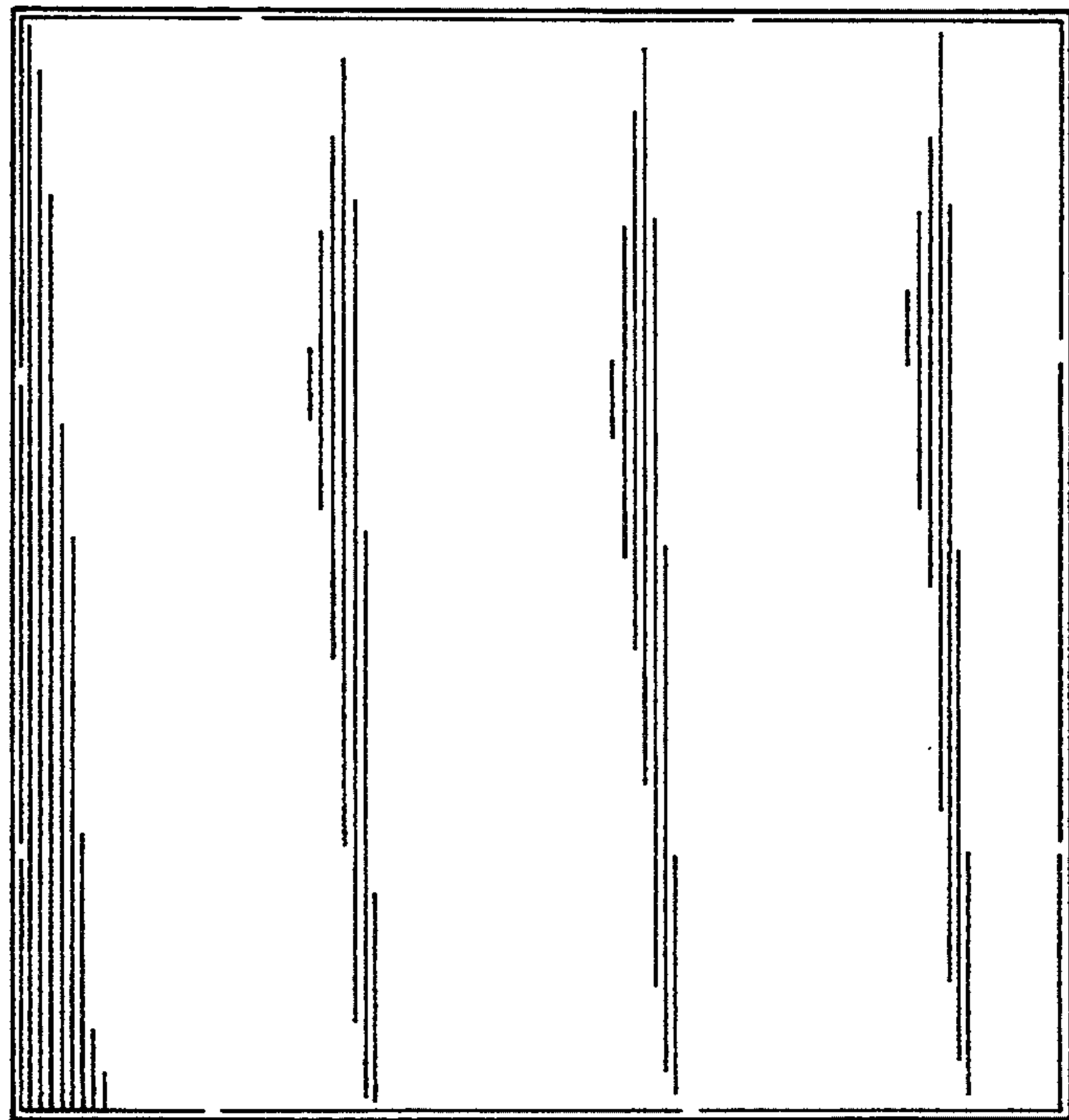


FIG. 4

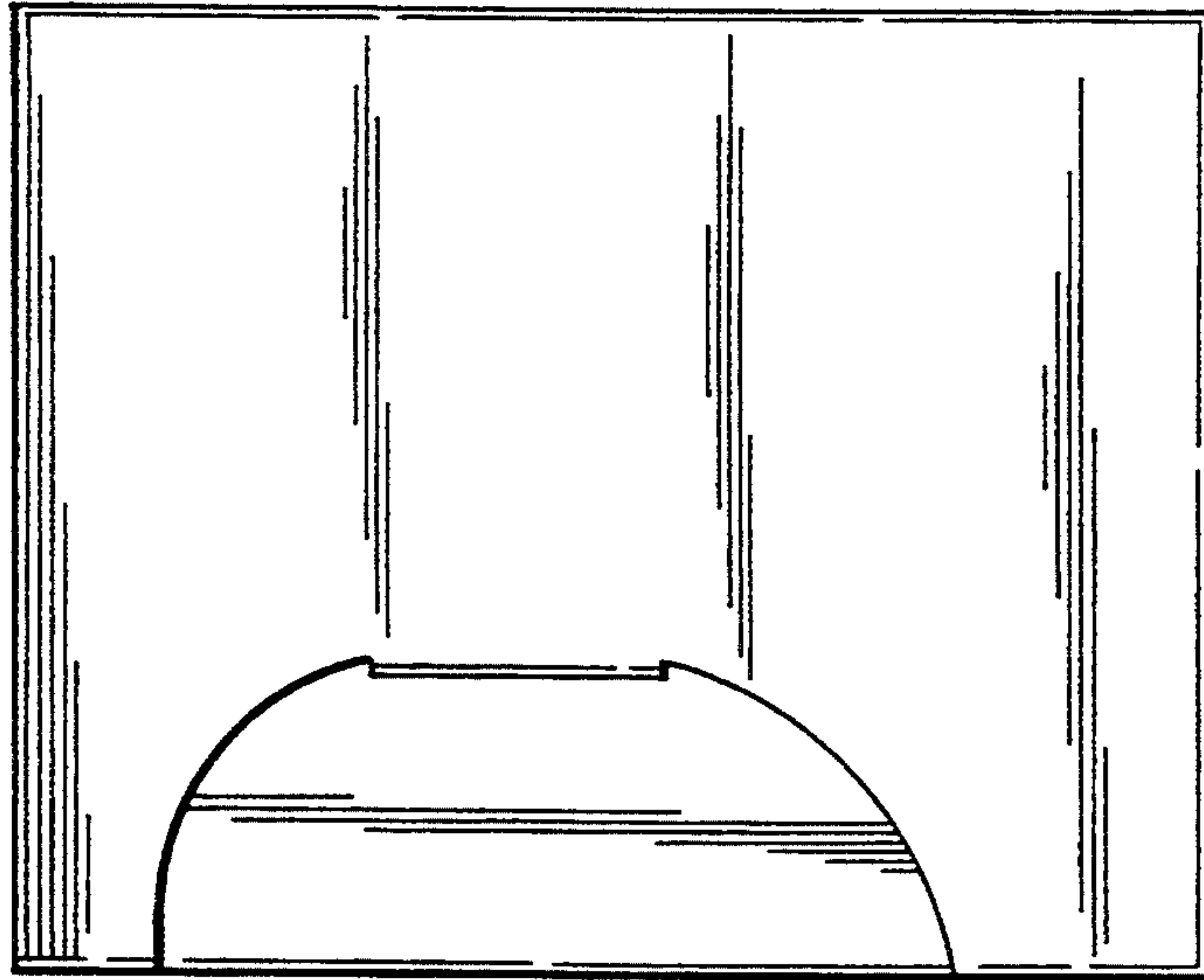


FIG. 5

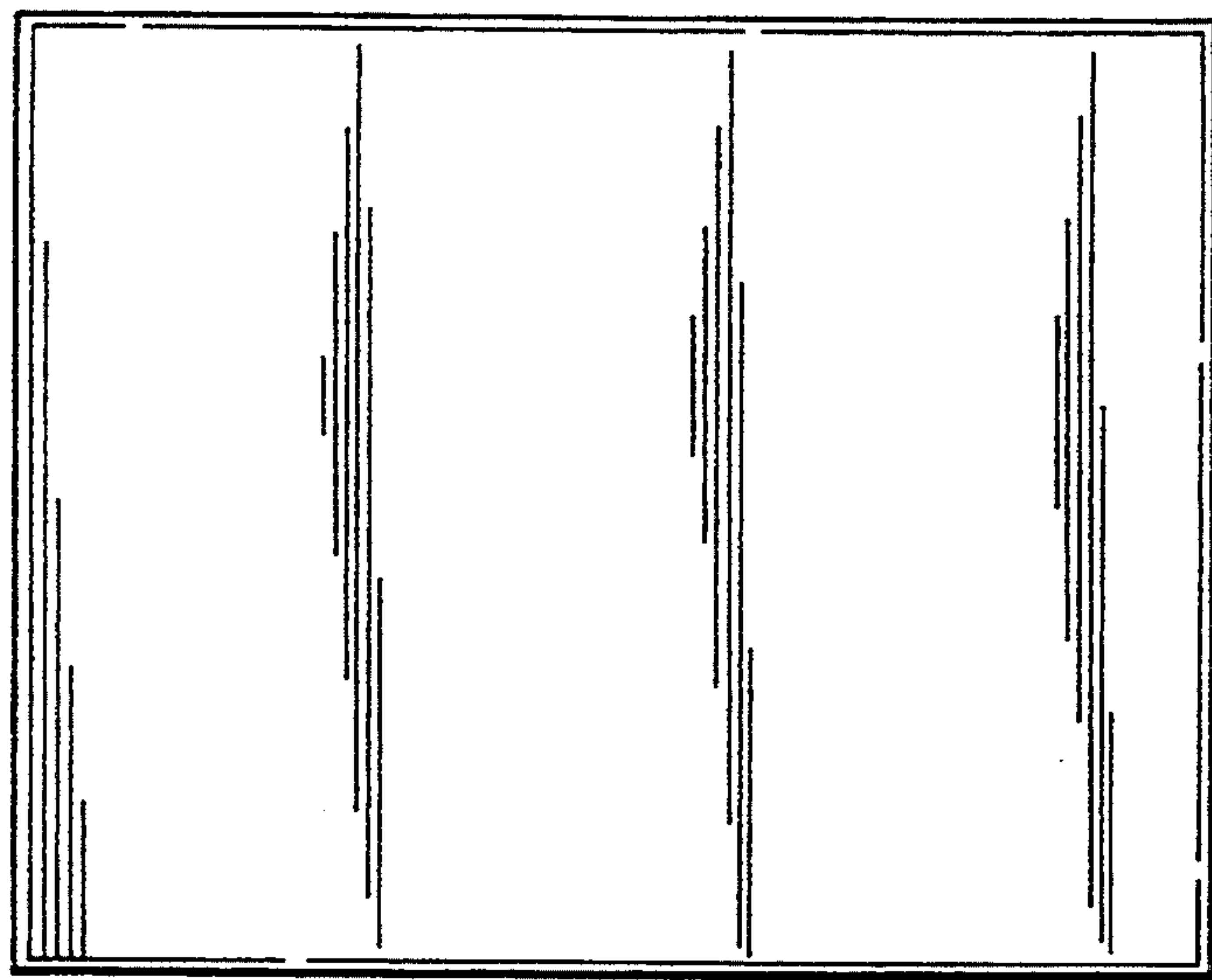


FIG. 6