



US00D360357S

United States Patent [19]

[11] Patent Number: Des. 360,357

Peterson et al.

[45] Date of Patent: ** Jul. 18, 1995

[54] HANDLE AND COVER COMBINATION

[75] Inventors: Steven G. Peterson, Hudson, Wis.;
Glenn C. Hause, Woodbury, Minn.;
James B. Libby, Stillwater, Minn.;
Casey L. Carlson, Edina, Minn.

[73] Assignee: Andersen Corporation, Bayport,
Minn.

[**] Term: 14 Years

[21] Appl. No.: 19,824

[22] Filed: Mar. 11, 1994

[52] U.S. Cl. D8/400; D8/309

[58] Field of Search D8/301, 302, 307, 308,
D8/309, 400; 16/111 R, 110 R; 49/324, 338;
74/545, 546, 547

2,709,582	5/1955	Chapman	268/23
2,720,292	10/1955	Roberts	189/67
2,795,413	6/1957	Rodaway	268/105
2,817,978	12/1957	Kennedy, Sr., et al.	74/424.8
3,103,351	9/1963	Ahlgren	268/117
3,117,351	1/1964	Ahlgren	20/42
3,722,142	3/1973	Anderberg et al.	49/248
4,253,276	3/1981	Peterson et al.	49/249
4,301,622	11/1981	Dunsmoor	49/342
4,305,228	12/1981	Nelson	49/252
4,616,443	10/1986	Araki et al.	49/252
4,833,754	5/1994	Yang	16/339
4,980,947	1/1991	McQuigge	16/253
5,152,103	10/1992	Tucker et al.	49/279
5,168,770	12/1992	Ellis	74/545
5,272,837	12/1993	Nolte et al.	49/324

OTHER PUBLICATIONS

Blaine Window Hardware Cat.; ©1982; p. 24; Crank Handle 327.

Primary Examiner—B. J. Bullock
Attorney, Agent, or Firm—Merchant, Gould, Smith,
Edell, Welter & Schmidt

[56] References Cited

U.S. PATENT DOCUMENTS

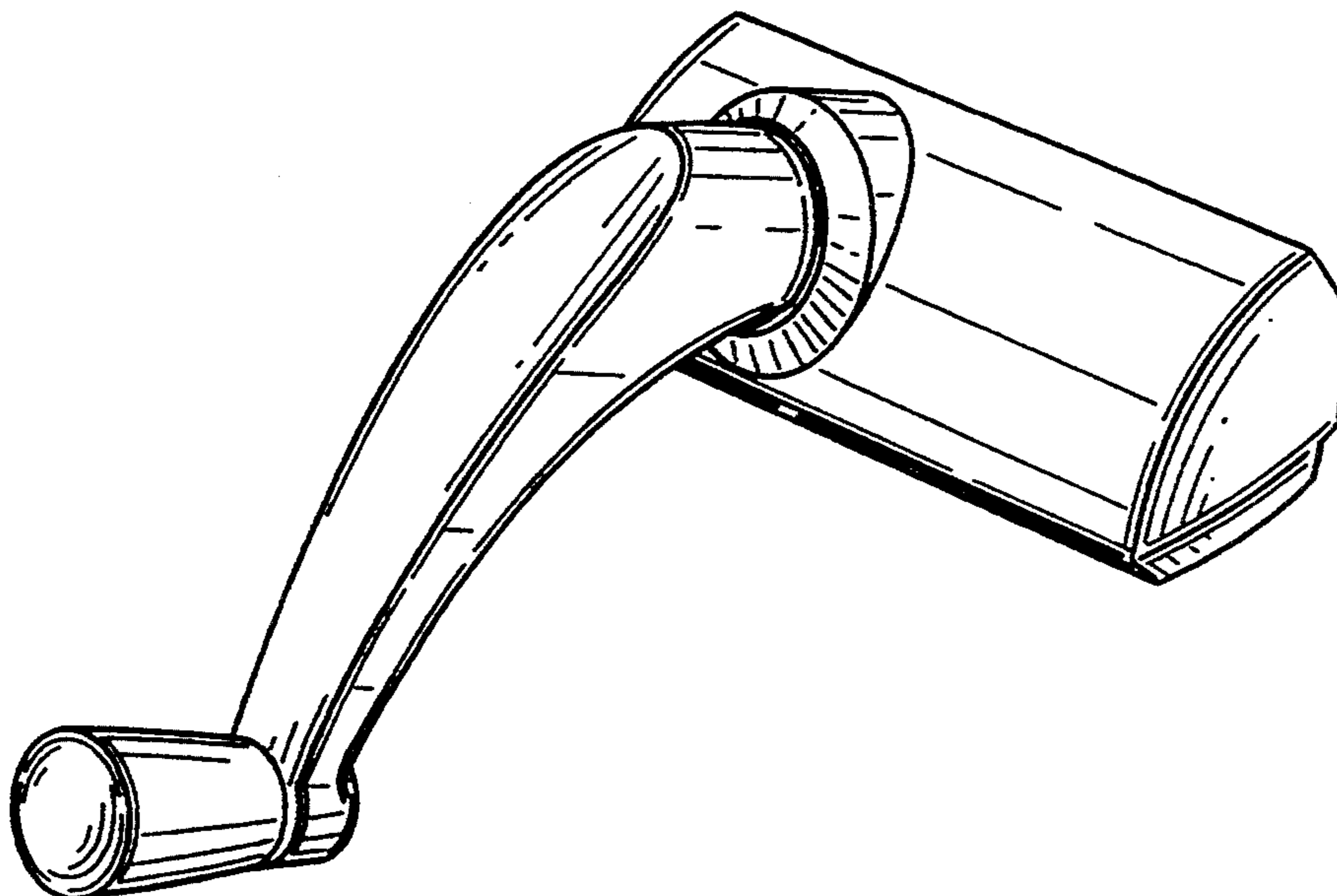
D. 160,682	10/1950	Zarbock	D8/400
D. 176,653	1/1956	Blanchard	D8/400
D. 198,202	5/1964	Morgan	D8/309
D. 330,839	11/1992	Barrington et al.	D8/315
D. 347,569	6/1994	Vetter et al.	D8/400
1,297,479	3/1919	Lane	D8/315
1,612,555	12/1926	Walker	D8/315
1,769,131	7/1930	Gray	D8/315
1,794,477	3/1931	Sodergren	D8/315
1,883,619	10/1932	Doering	D8/315
2,114,645	4/1938	Van Benschoten	268/117
2,250,524	7/1941	Dietrichson	105/307
2,304,960	12/1942	Schane	268/74
2,321,800	6/1943	Cordrey et al.	263/119
2,390,394	12/1945	Smith	20/53
2,610,054	9/1952	Reynaud	268/119
2,636,727	4/1953	Toth	268/21

[57] CLAIM

The ornamental design for a handle and cover combination, as shown and described.

DESCRIPTION

FIG. 1 is a perspective view of a handle and cover combination showing our new design;
FIG. 2 is a front elevational view thereof;
FIG. 3 is a rear elevational view thereof;
FIG. 4 is a top plan view thereof;
FIG. 5 is a bottom plan view thereof; and,
FIG. 6 is a right side elevational view, the left side elevational view being a mirror image thereof.



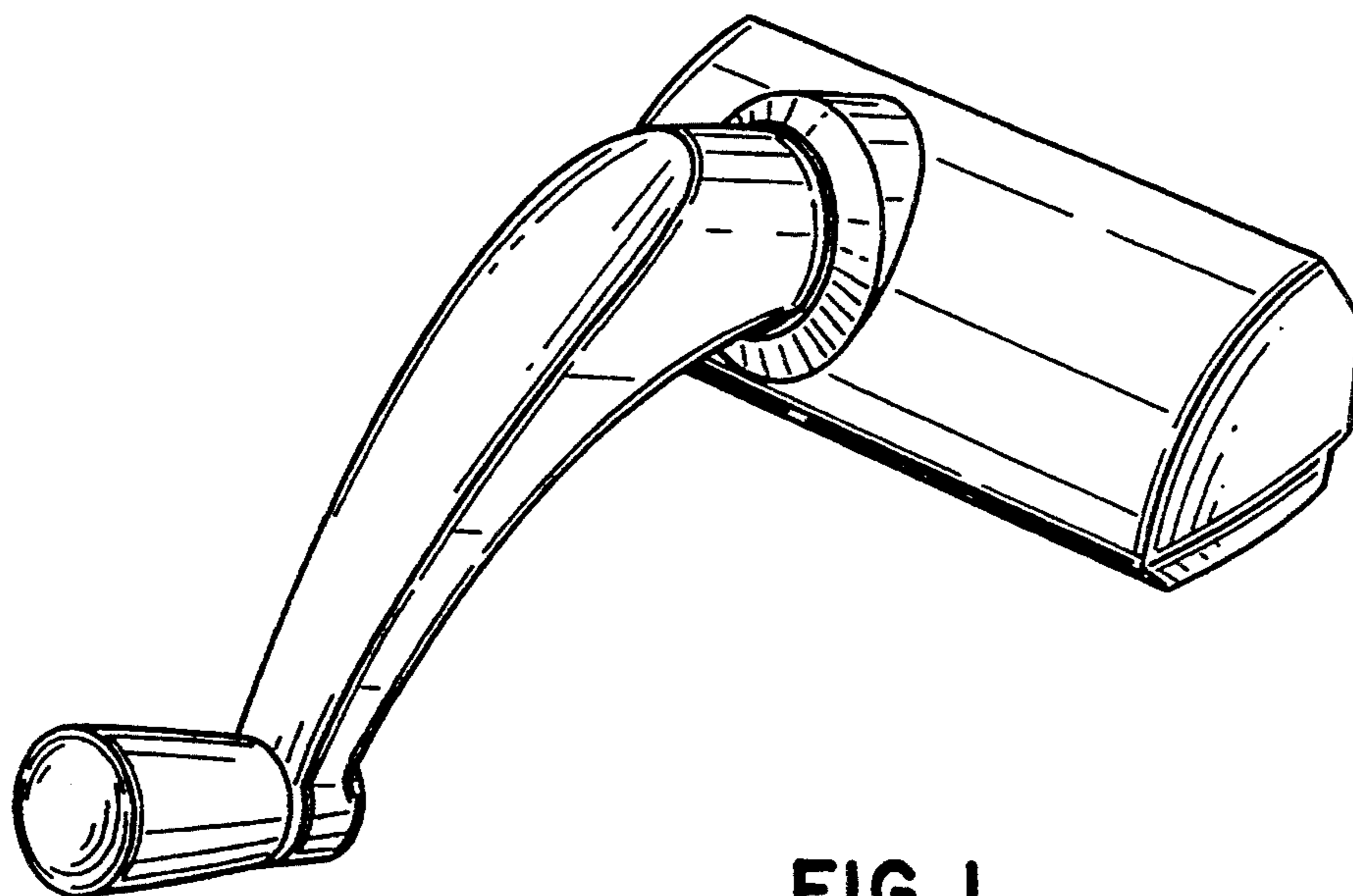


FIG. 1

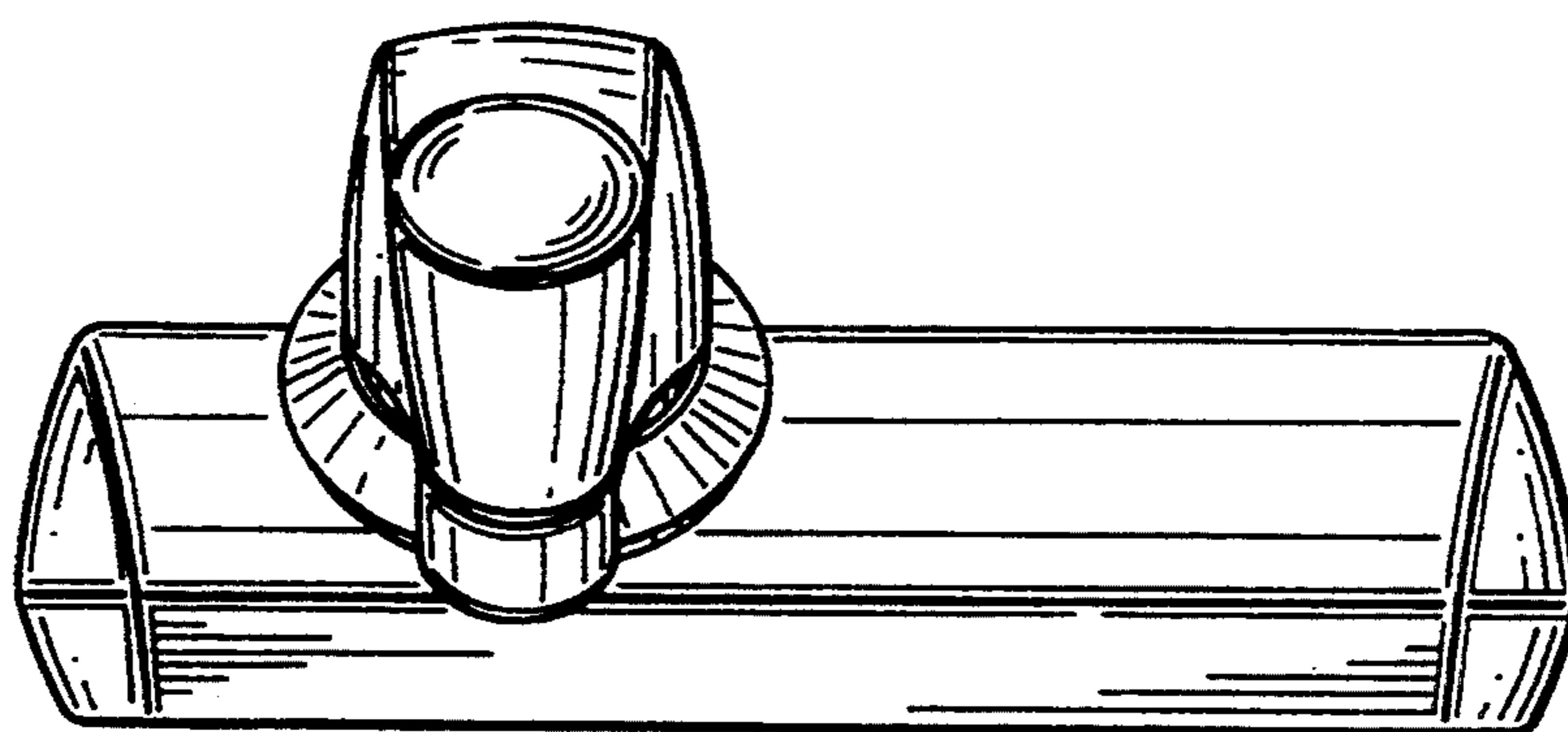


FIG. 2

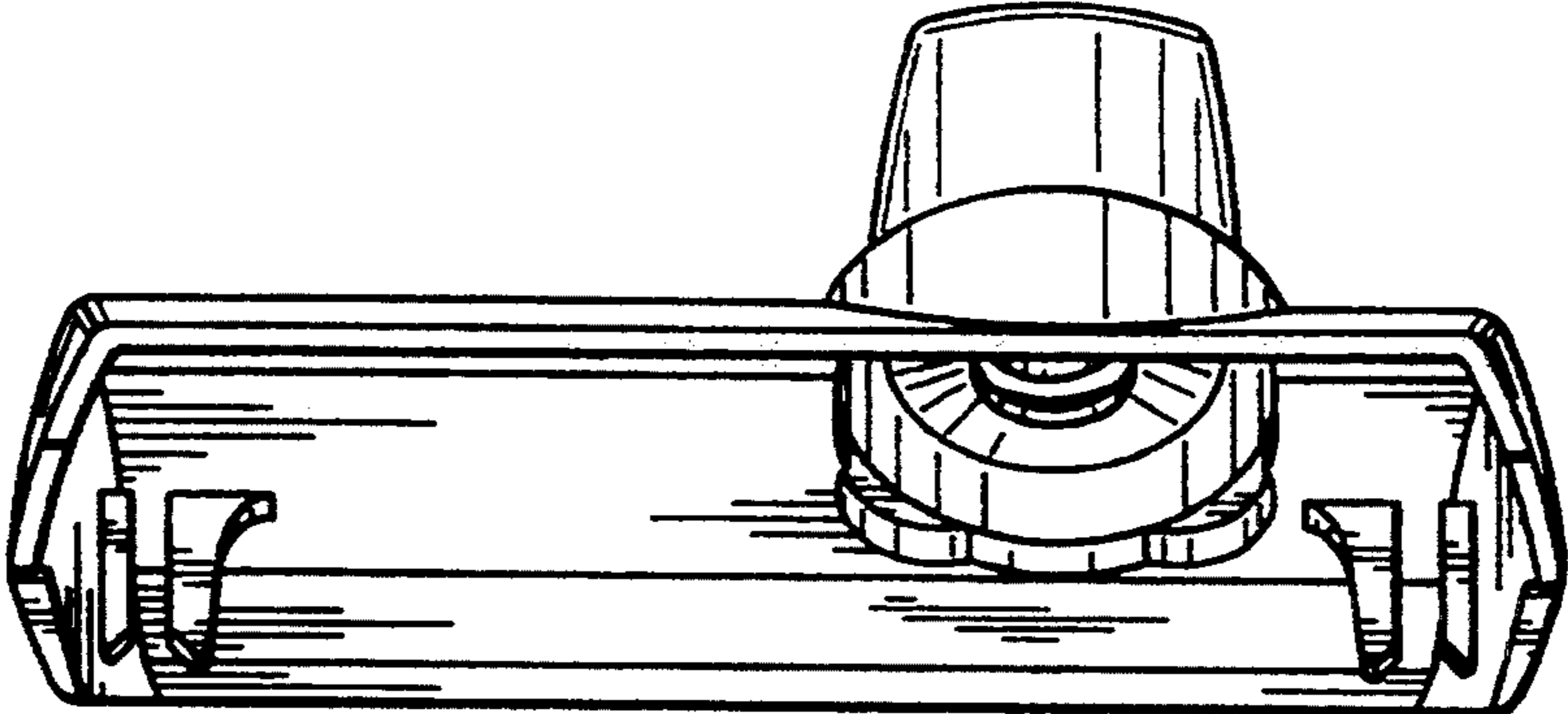


FIG. 3

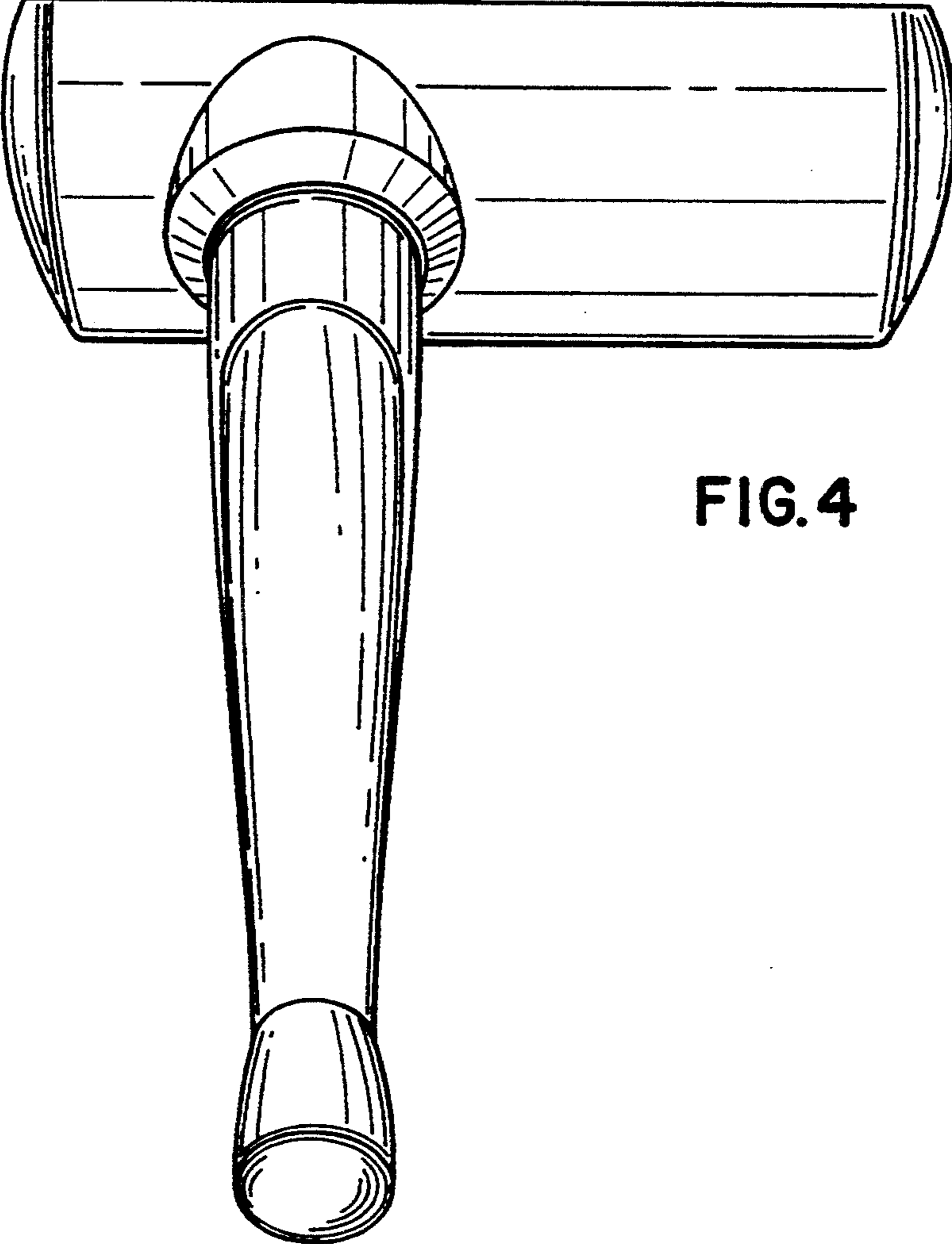


FIG. 4

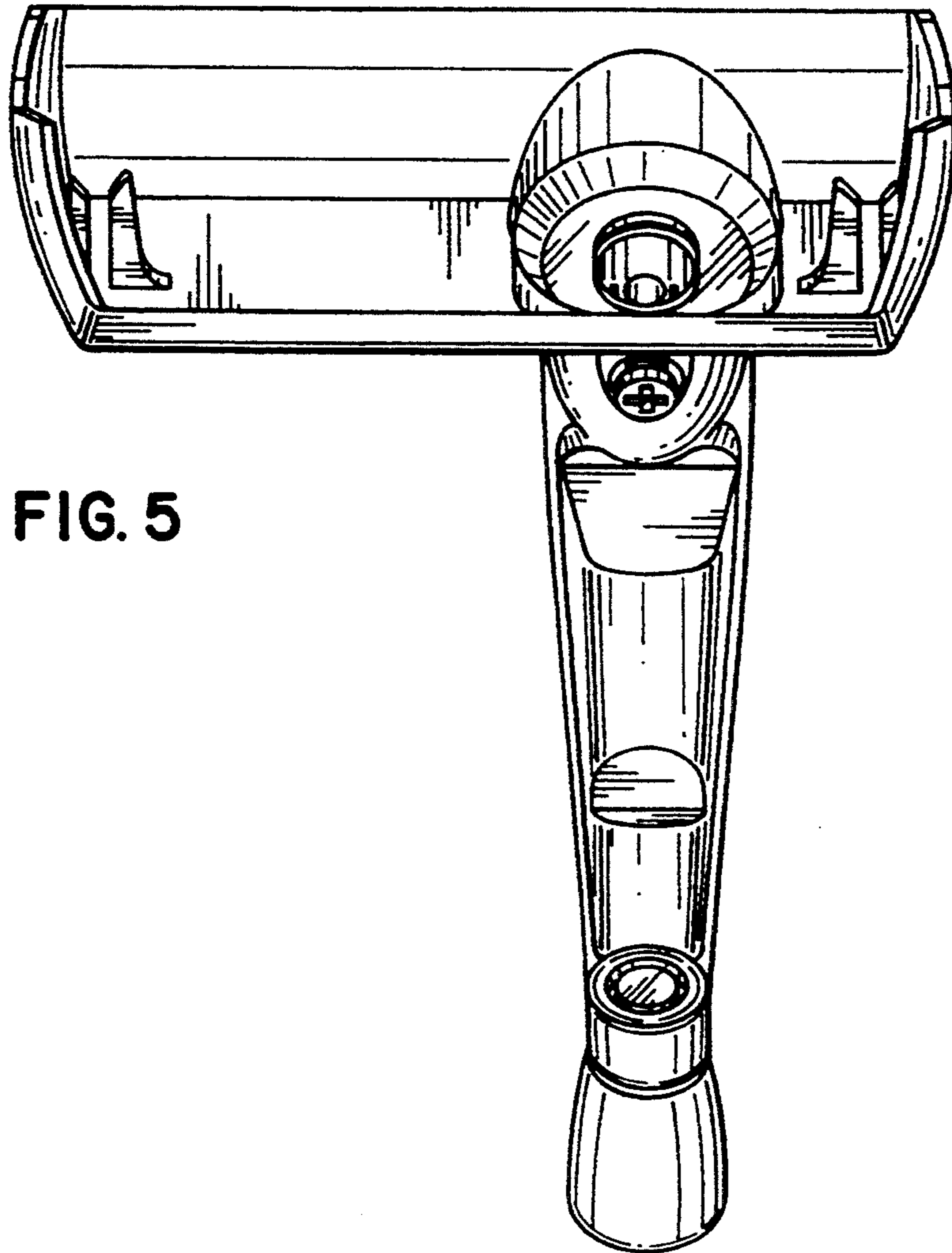


FIG. 5

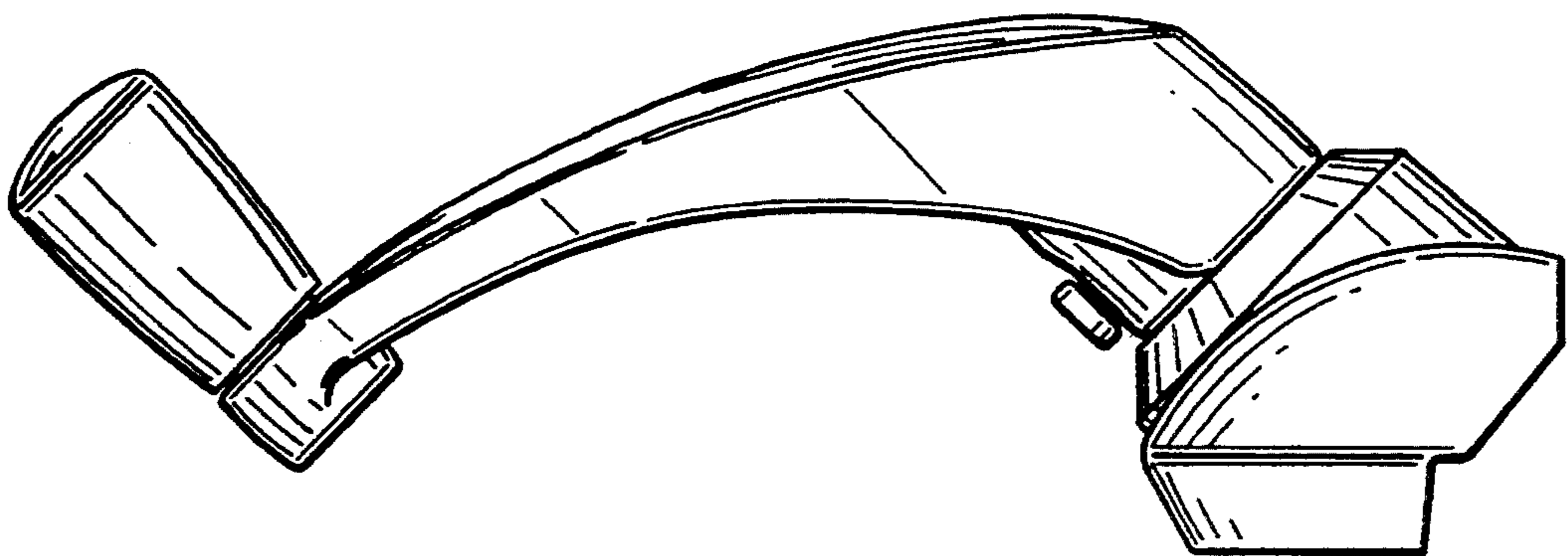


FIG. 6