



US00D360356S

# United States Patent [19]

[11] Patent Number: **Des. 360,356**

Lewis

[45] Date of Patent: **\*\* Jul. 18, 1995**

[54] **WHEEL FOR GUIDING A LADDER AGAINST A STRUCTURE**

4,940,252 7/1990 Seib ..... 16/29 X  
4,974,284 12/1990 Campbell ..... 16/29

[76] Inventor: **Wayne Lewis**, 14 Greentree Dr., Auburn, Ga. 30203

*Primary Examiner*—James M. Gandy  
*Assistant Examiner*—Holly Baynham  
*Attorney, Agent, or Firm*—Terry M. Gernstein

[\*\*] Term: **14 Years**

[57] **CLAIM**

[21] Appl. No.: **19,177**

The ornamental design for a wheel for guiding a ladder against a structure, as shown and described.

[22] Filed: **Feb. 24, 1994**

[52] U.S. Cl. .... **D8/375**

**DESCRIPTION**

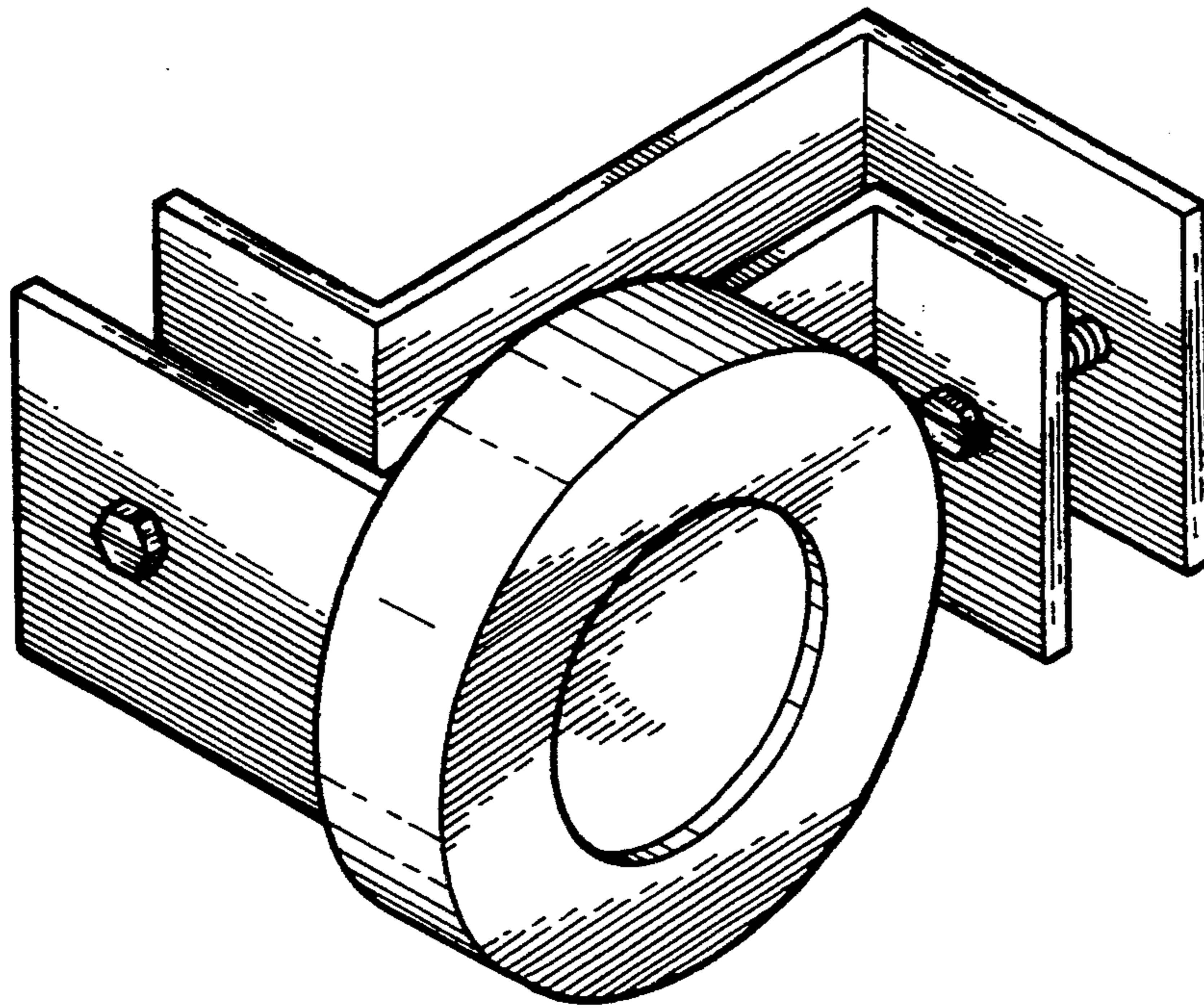
[58] Field of Search ..... D8/375, 349, 354, 394;  
182/12; 16/18 R, 18 CG, 45, 47, 91, 97,  
106-107, 29, 30; 248/300, 220.1, 224.1, 221.4

FIG. 1 is a front, top and side perspective view of the wheel for guiding a ladder against a structure embodying the design of the present invention;  
FIG. 2 is a front elevational view thereof;  
FIG. 3 is a rear elevational view thereof;  
FIG. 4 is a side elevational view thereof;  
FIG. 5 is an opposite side elevational view thereof;  
FIG. 6 is a top plan view thereof, the bottom view being a mirror image of the top view shown in FIG. 6.

[56] **References Cited**

**U.S. PATENT DOCUMENTS**

D. 229,822 1/1974 Born ..... D8/394 X  
D. 337,514 7/1993 Nasca ..... D8/373  
885,970 4/1908 Barr ..... 16/106 X  
4,229,855 10/1980 Rowe ..... 16/29



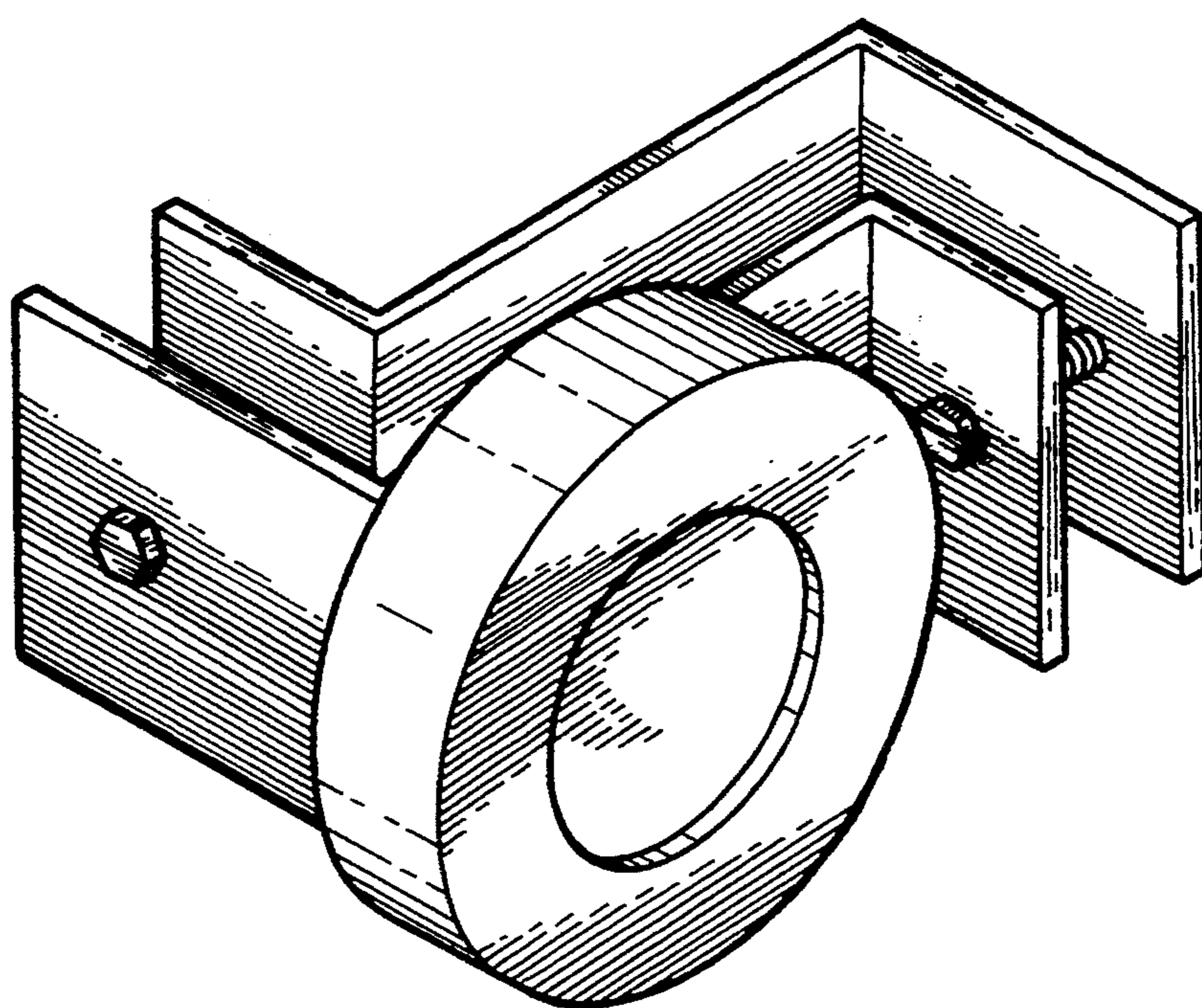


FIG. 1

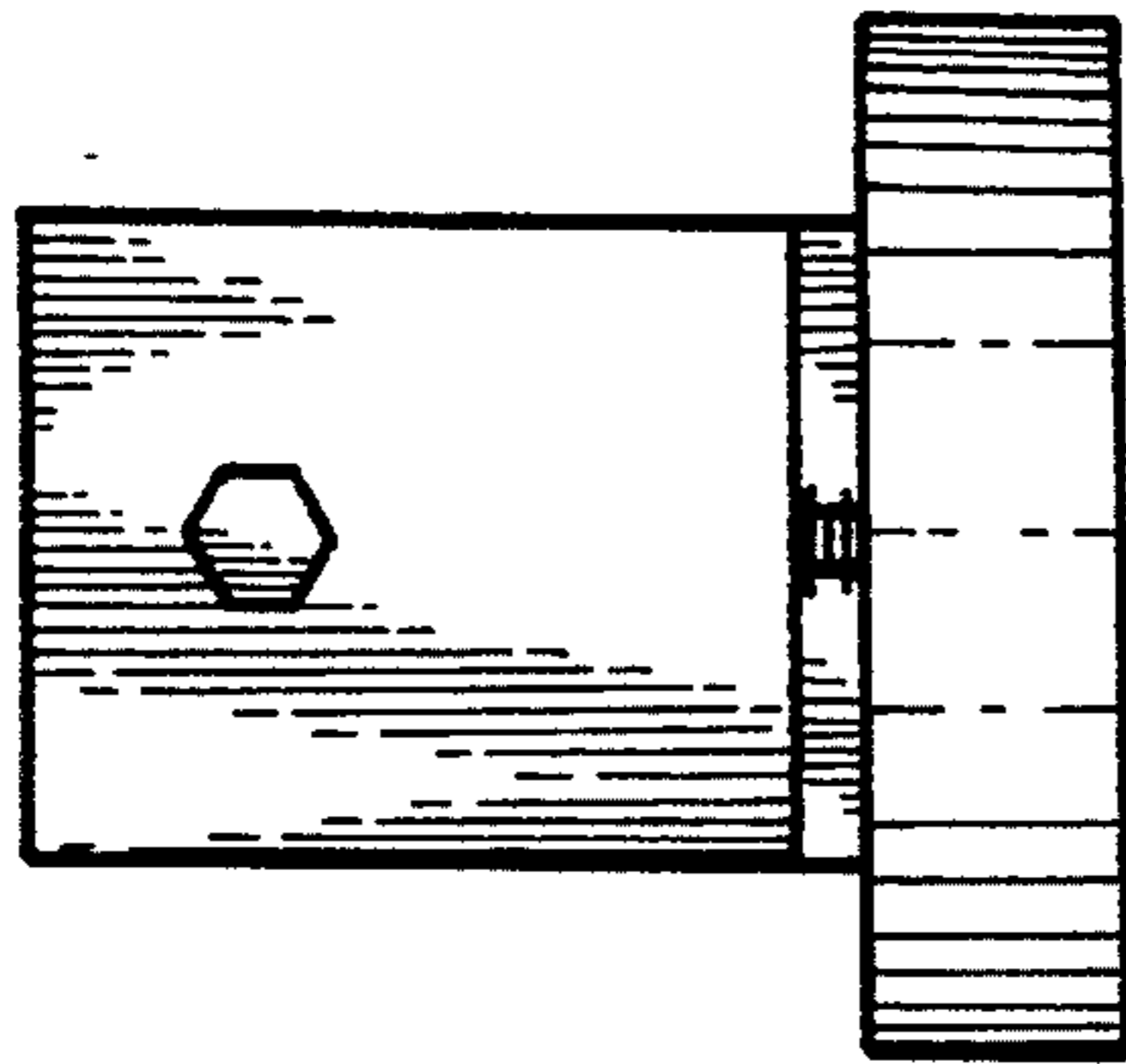


FIG. 2

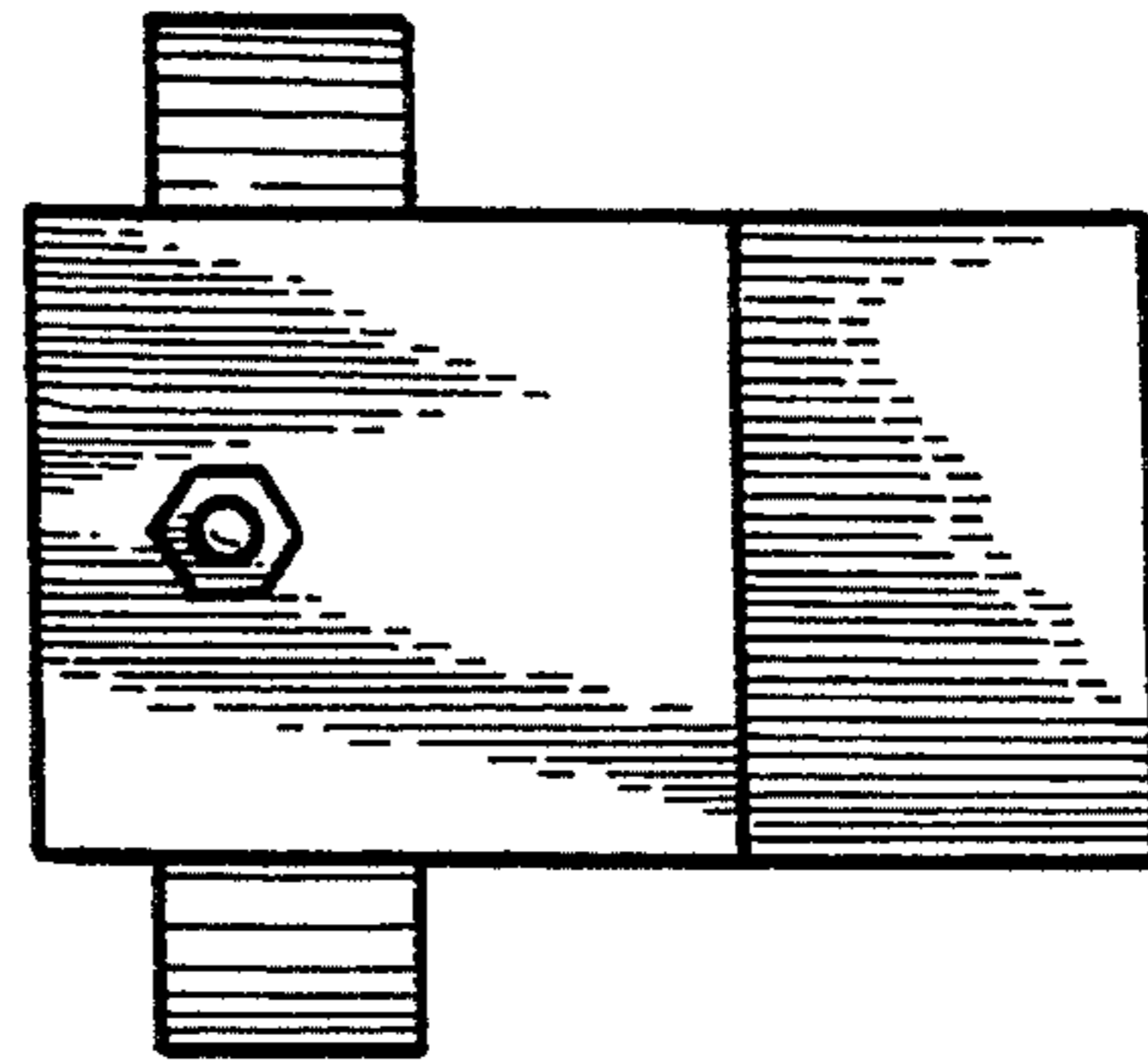


FIG. 3

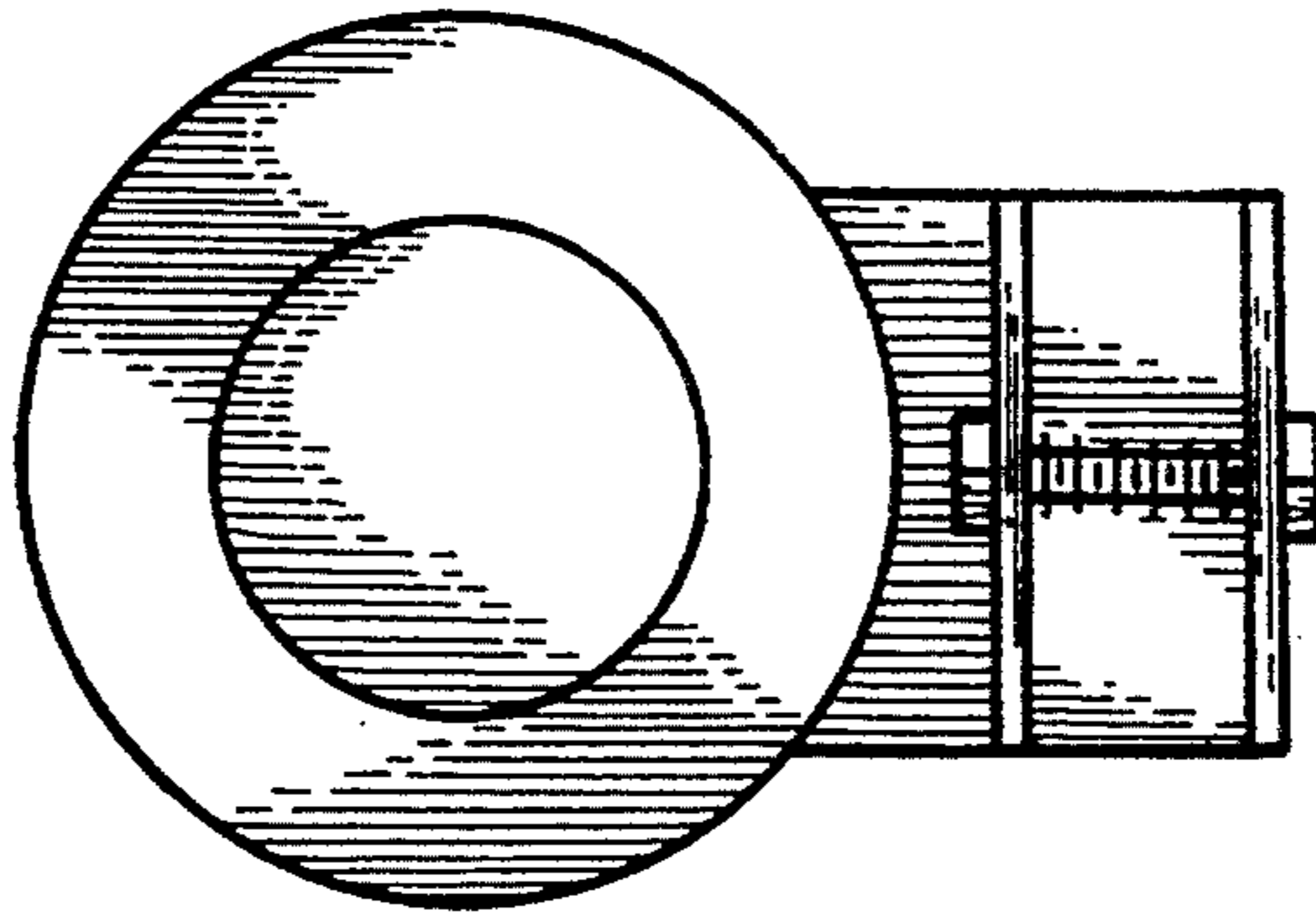


FIG. 4

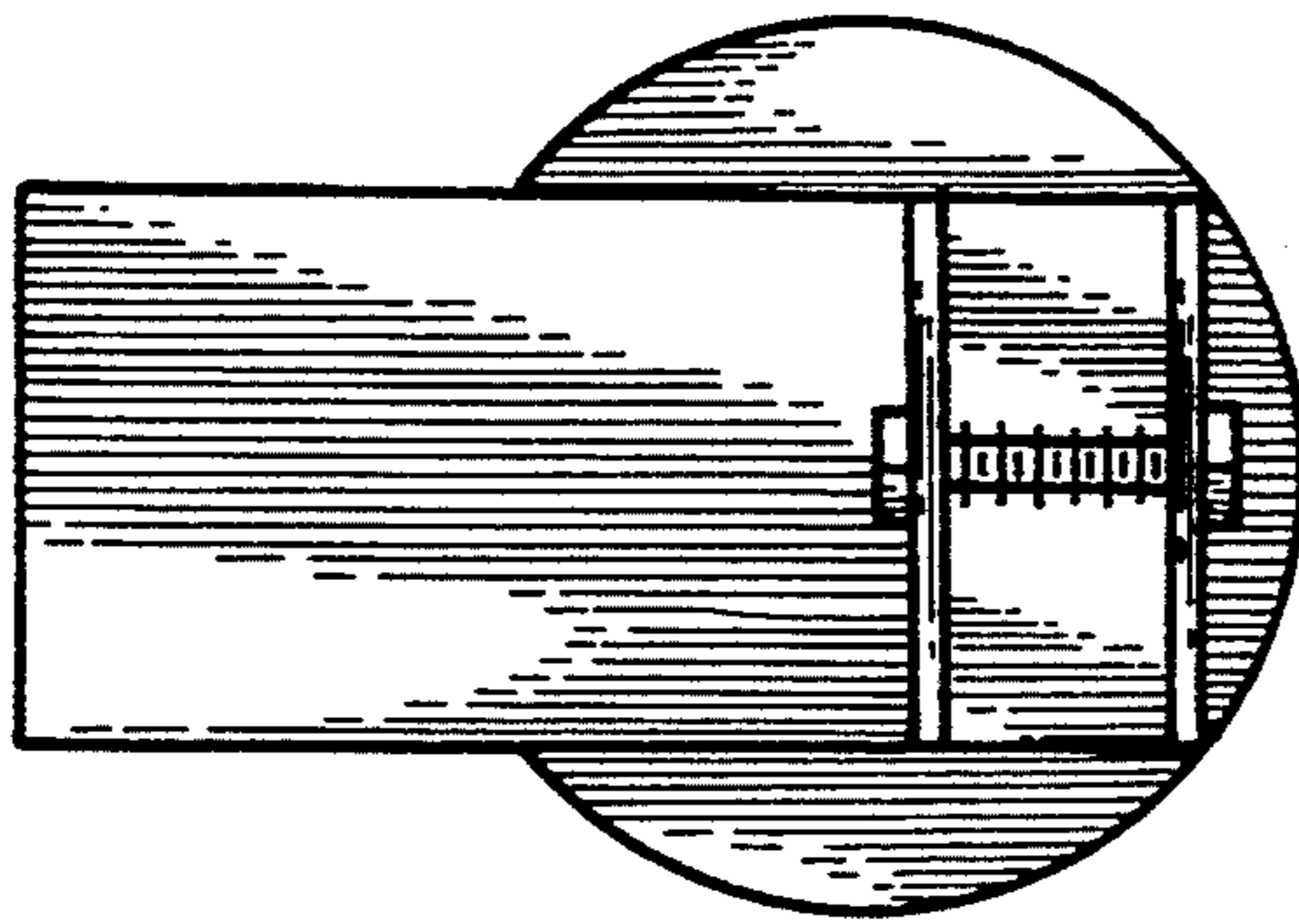


FIG. 5

FIG. 6

