



US00D360354S

# United States Patent [19]

[11] Patent Number: **Des. 360,354**

Sutton et al.

[45] Date of Patent: **\*\* Jul. 18, 1995**

[54] **CORD REWINDER**

[76] Inventors: **Archie W. Sutton**, 312 E. Davis, Howe, Tex. 75459; **Jimmy L. Farren, II**, 700 Broadway, Whitesboro, Tex. 76273

[\*\*] Term: **14 Years**

[21] Appl. No.: **22,349**

[22] Filed: **May 3, 1994**

[52] U.S. Cl. .... **D8/359**

[58] Field of Search ..... **D8/358-359;**  
242/395, 405.3, 129, 128, 597.8; 244/155 R;  
191/12.4

3,954,226 5/1976 Pickering ..... 242/395  
4,687,148 8/1987 Schuller .  
4,728,048 3/1988 Batson .  
5,163,632 11/1992 Chilcoat et al. .  
5,267,705 12/1993 Hofrichter et al. .... 242/129

*Primary Examiner*—James M. Gandy  
*Assistant Examiner*—Holly Baynham  
*Attorney, Agent, or Firm*—Terry M. Gernstein

## [57] CLAIM

The ornamental design for a cord rewriter, as shown and described.

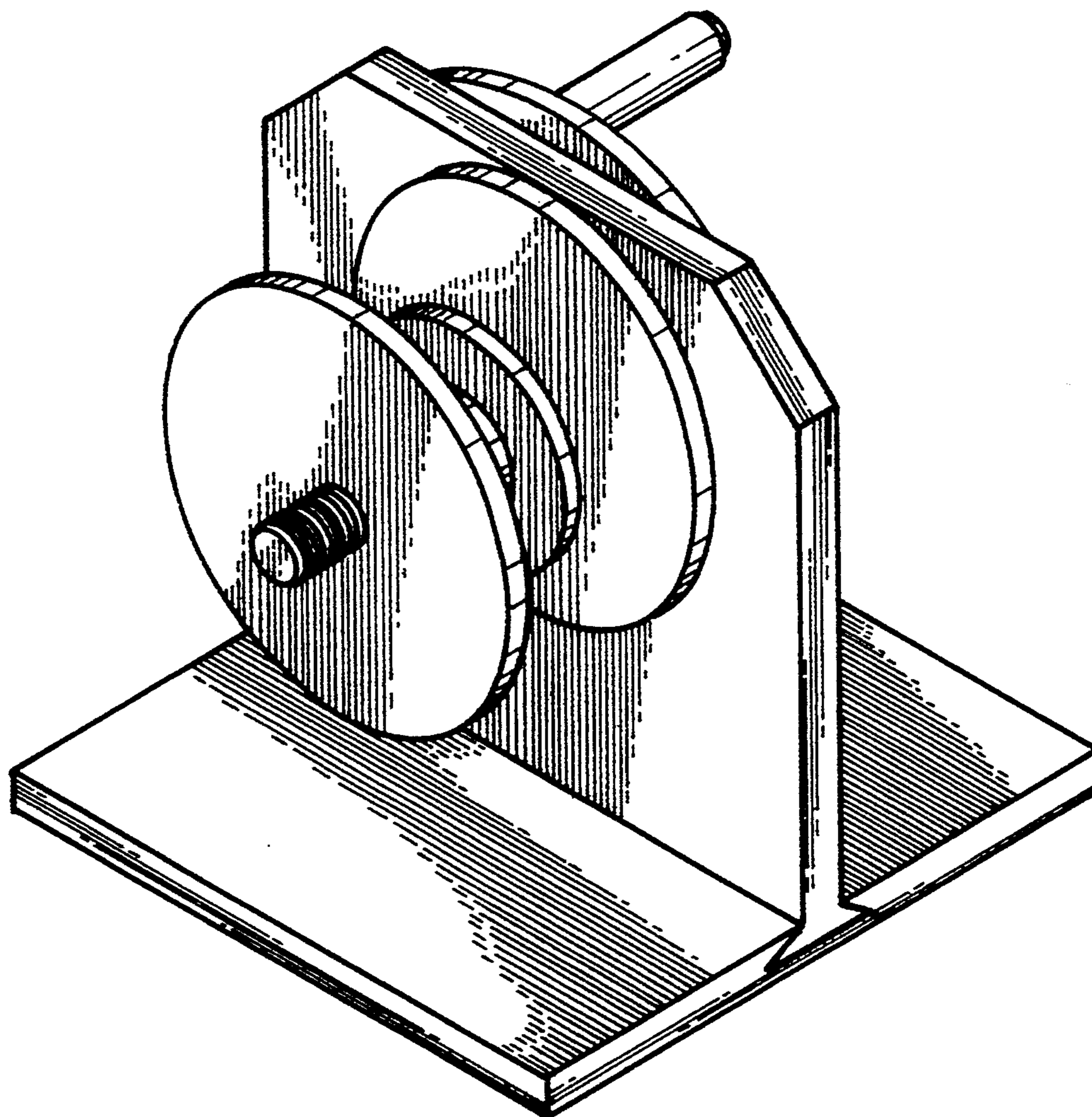
## DESCRIPTION

FIG. 1 is a front, top and side perspective view of the cord rewriter showing our new design; FIG. 2 is a front elevational view thereof; FIG. 3 is a rear elevational view thereof; FIG. 4 is a side elevational view thereof, the side opposite being a mirror image of the side shown in FIG. 4; FIG. 5 is a top plan view thereof; and, FIG. 6 is a bottom plan view thereof.

## [56] References Cited

### U.S. PATENT DOCUMENTS

D. 212,336 10/1968 Kircher ..... D8/359  
D. 256,330 8/1990 Becker ..... D8/358  
D. 314,909 2/1991 Schmidt ..... D8/358



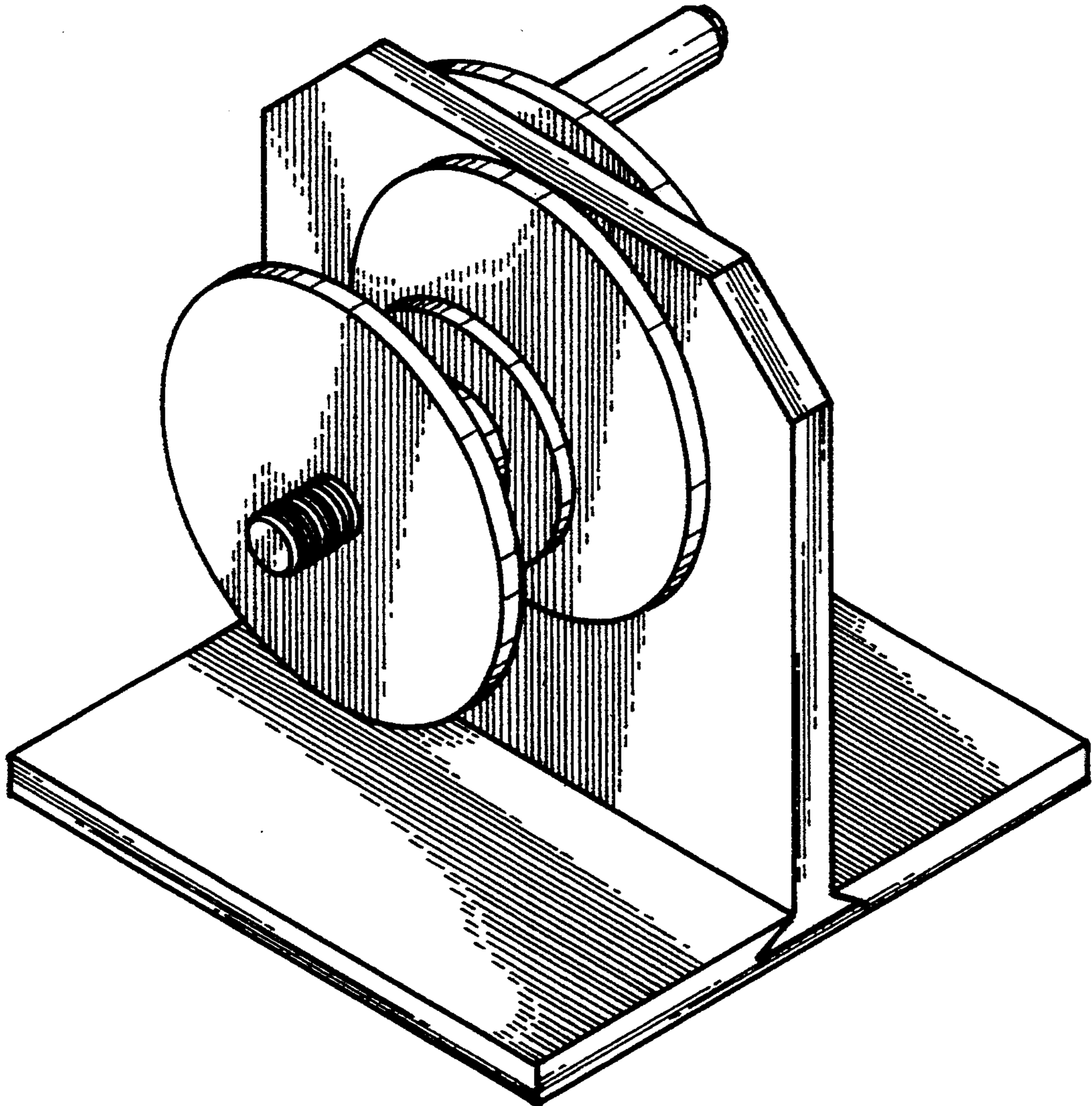


FIG. 1



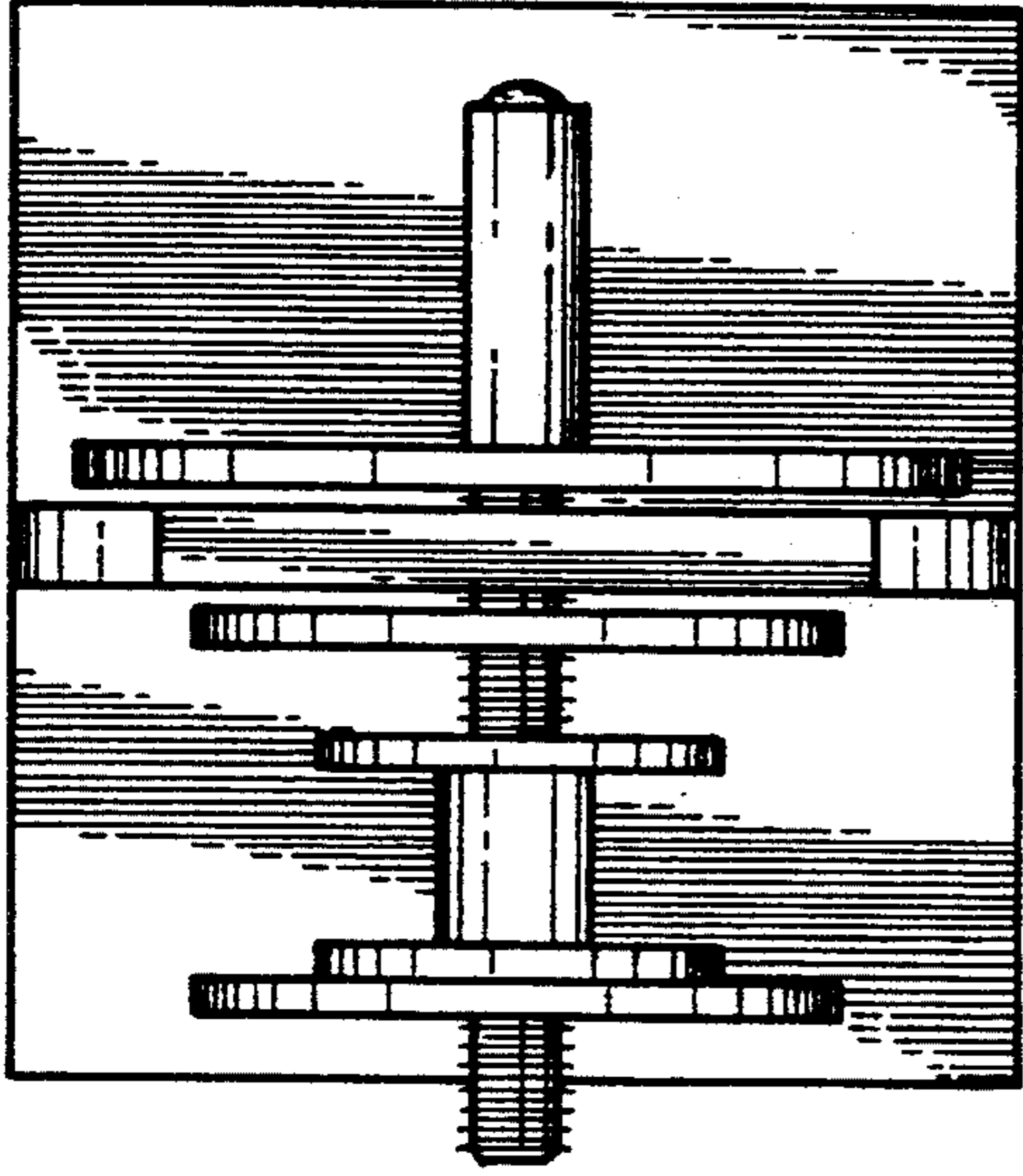


FIG. 5

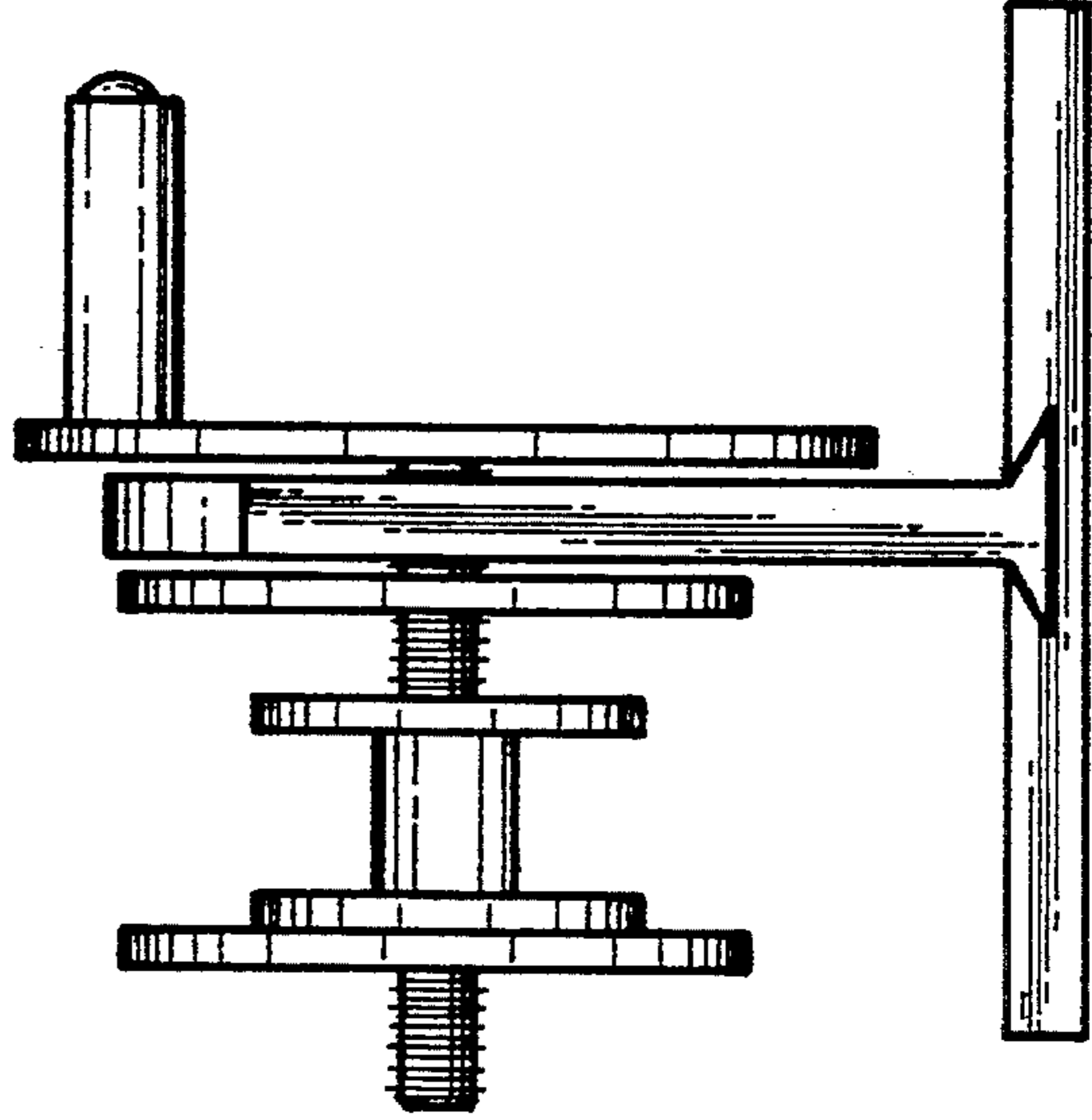


FIG. 4

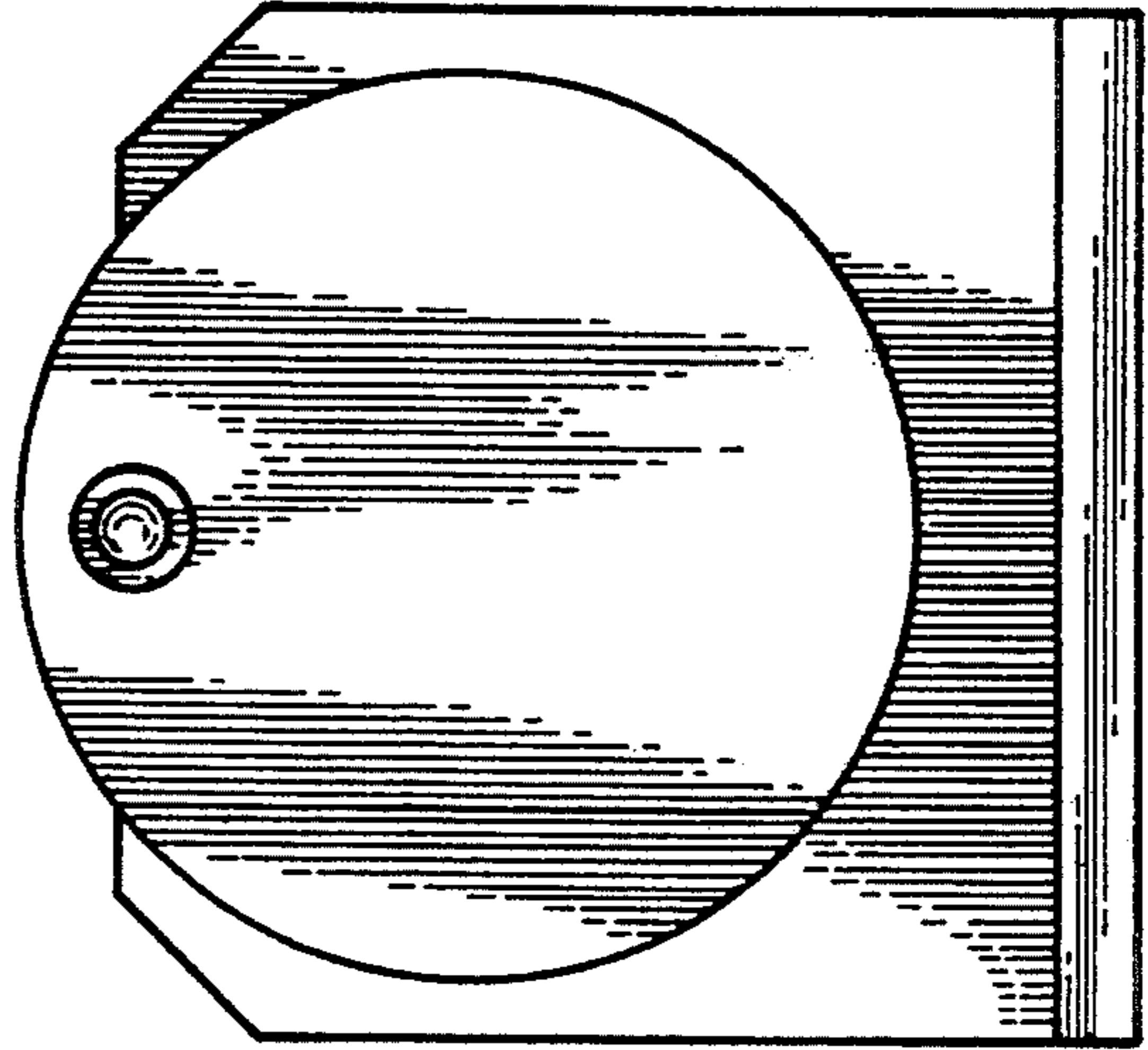


FIG. 3

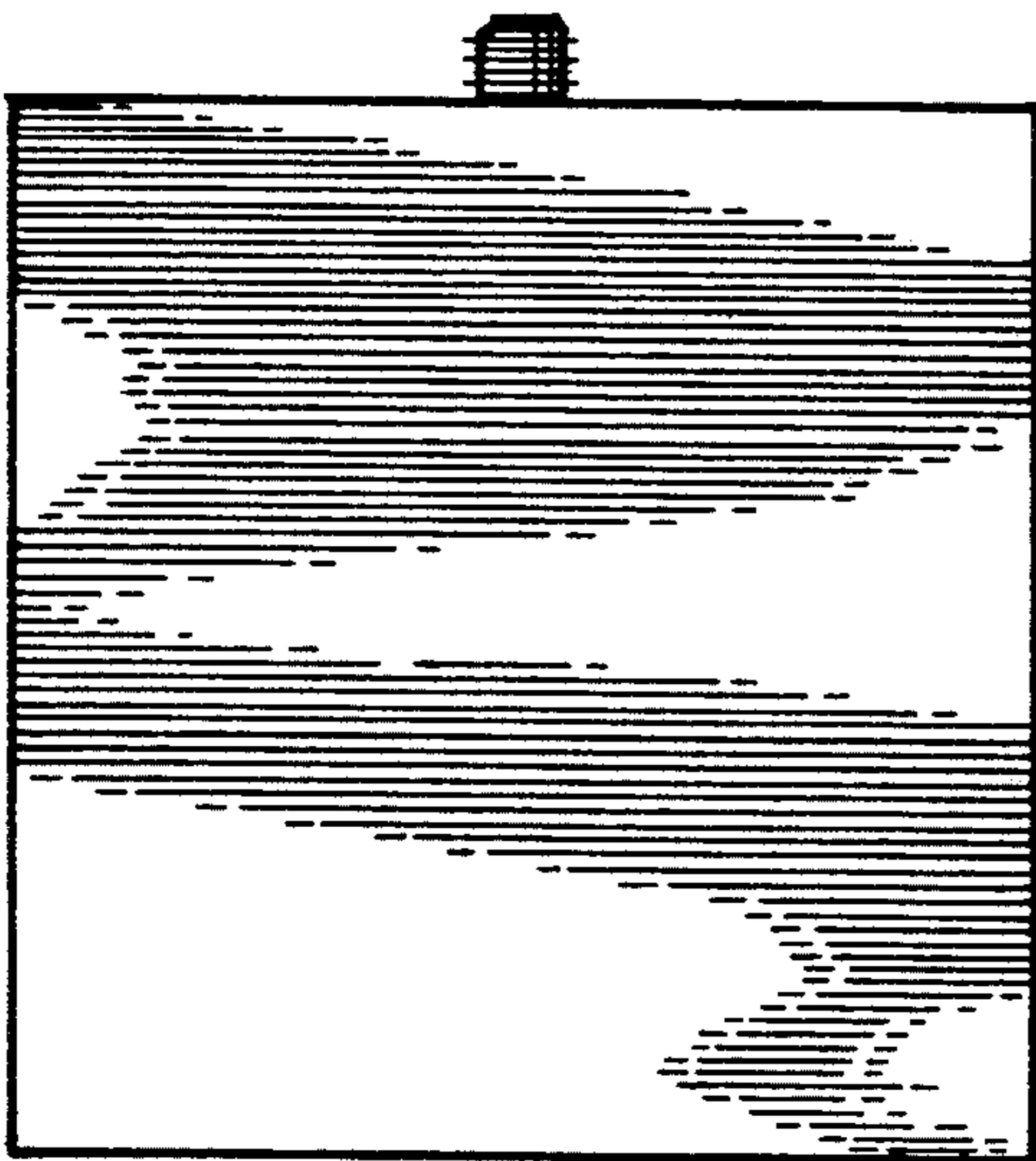


FIG. 6

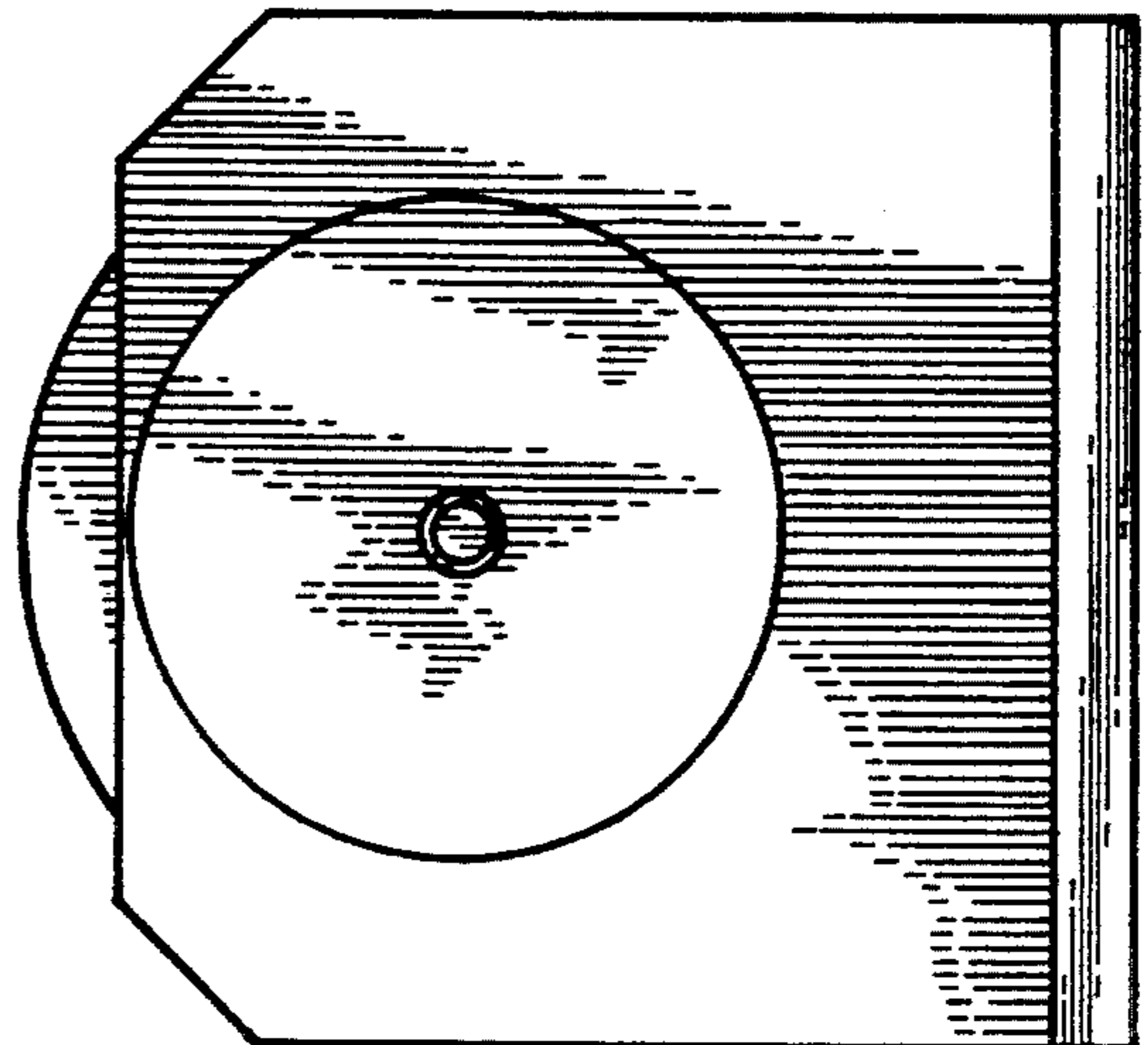


FIG. 2