



US00D360348S

United States Patent [19]

Kusmiss

[11] Patent Number: Des. 360,348

[45] Date of Patent: ** Jul. 18, 1995

[54] COLOR COMBINATION LOCK

[76] Inventor: John H. Kusmiss, 11160 Langmuir Ave., Sunland, Calif. 91040

[**] Term: 14 Years

[21] Appl. No.: 15,711

[22] Filed: Nov. 24, 1993

[52] U.S. Cl. D8/334

[58] Field of Search D8/334-335;
70/20-22, 24, 51

[56] **References Cited**

U.S. PATENT DOCUMENTS

D. 101,452	10/1936	Frain	D8/334
D. 205,005	6/1966	Harrell	D8/334
D. 276,408	11/1984	Zabel et al.	D8/334
2,378,768	6/1945	Heyer	70/21

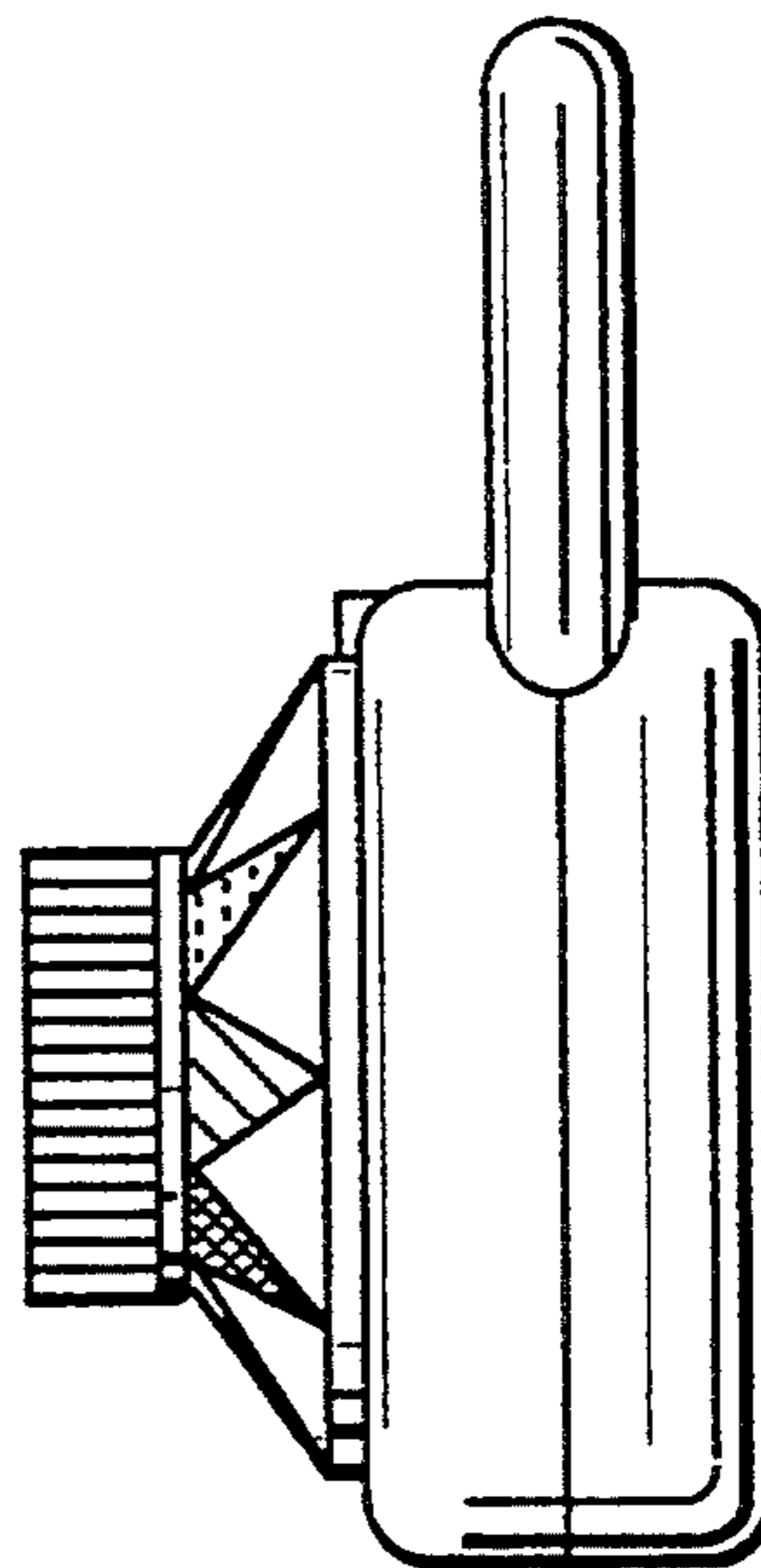
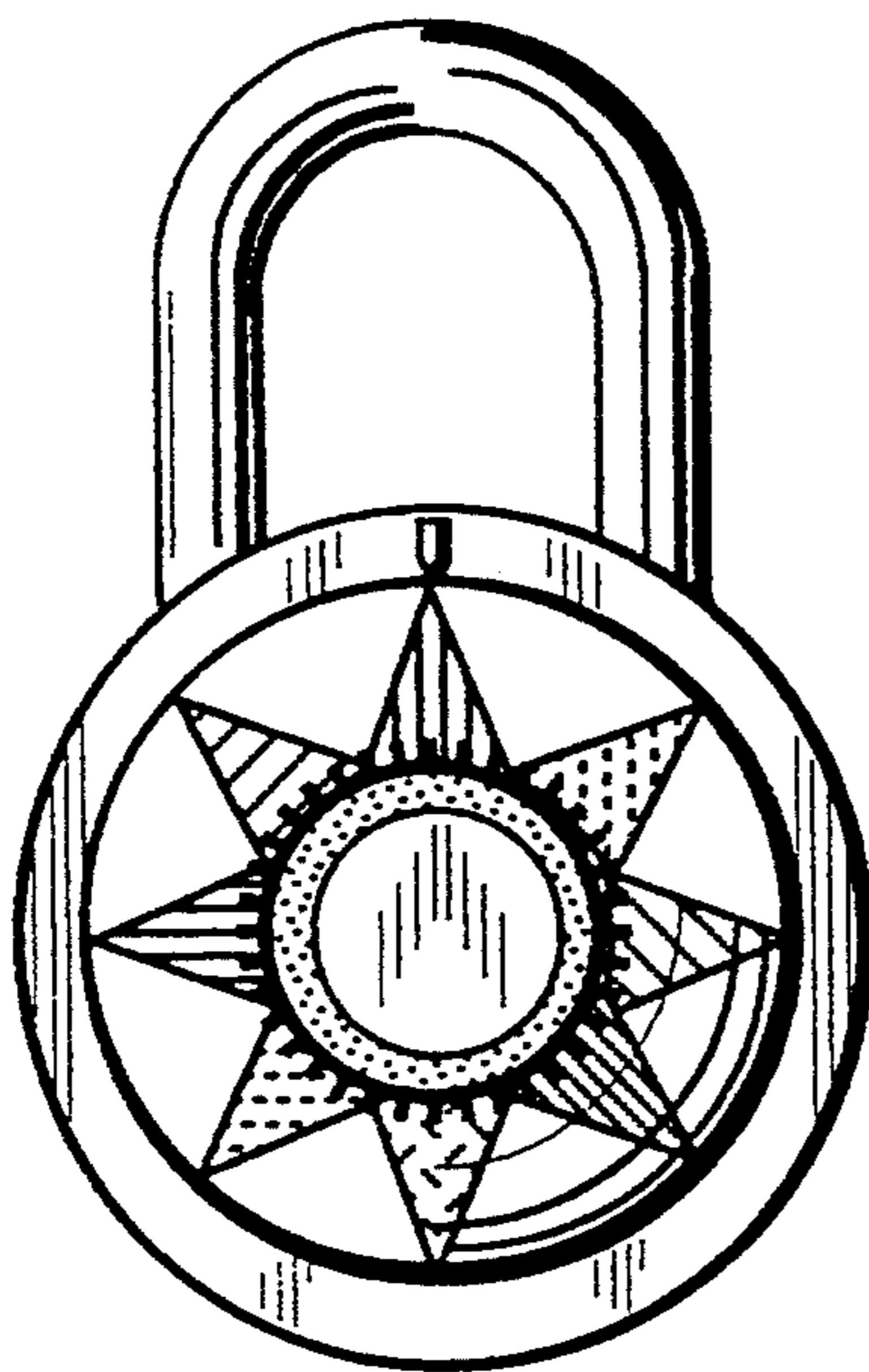
Primary Examiner—Brian N. Vinson

[57] **CLAIM**

The ornamental design for a color combination lock, as shown and described.

DESCRIPTION

FIG. 1 is a front elevational view of a color combination lock showing a first form of my new design; FIG. 2 is a right side elevational view thereof; FIG. 3 is a back elevational view thereof; FIG. 4 is a top plan view thereof; FIG. 5 is a bottom plan view thereof; FIG. 6 is a left side elevational view thereof; and, FIG. 7 is a front elevational view of a color combination padlock showing a second form of my new design, the only difference residing in the number of triangular segments on the dial.



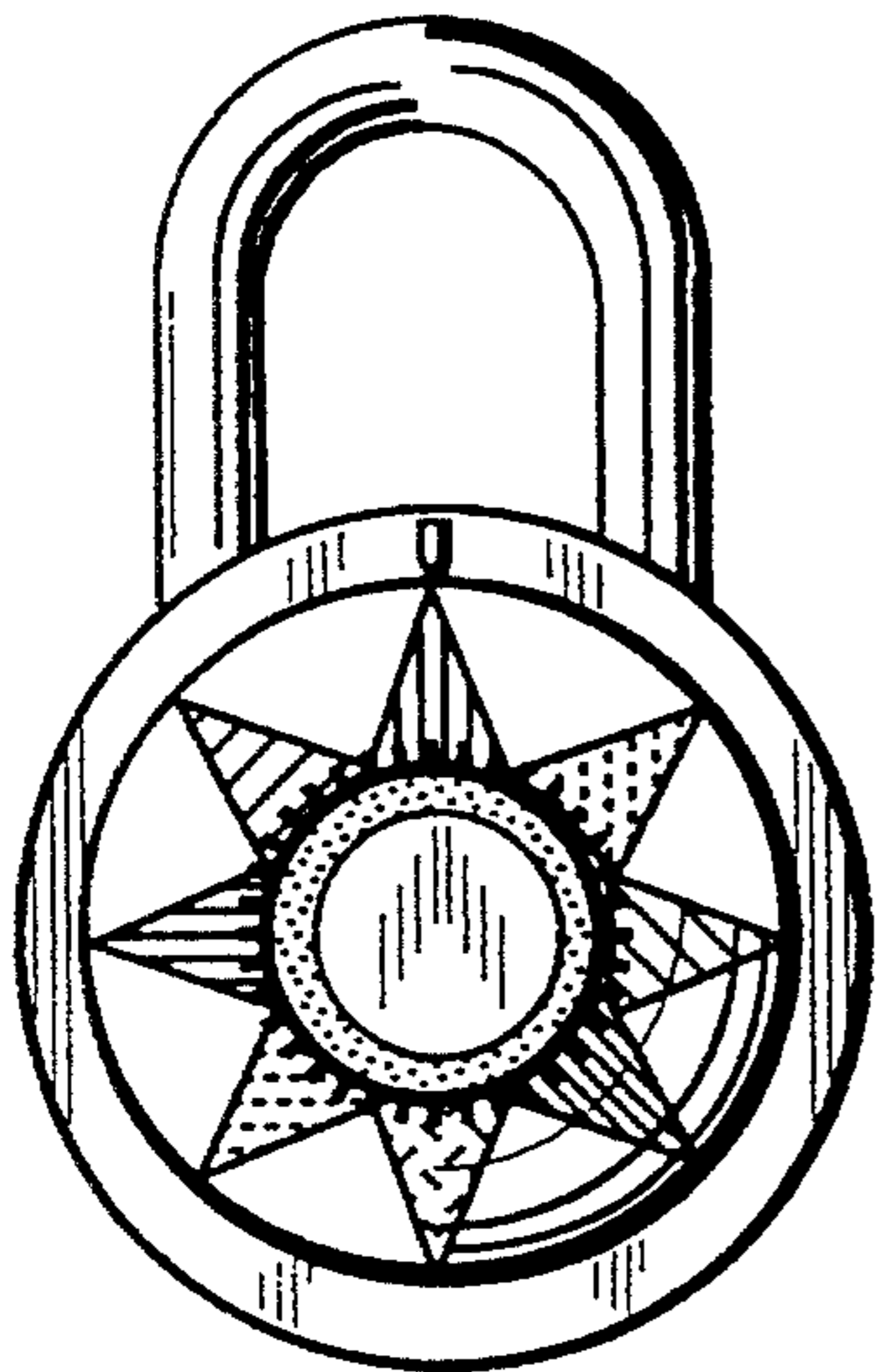


FIG. 1

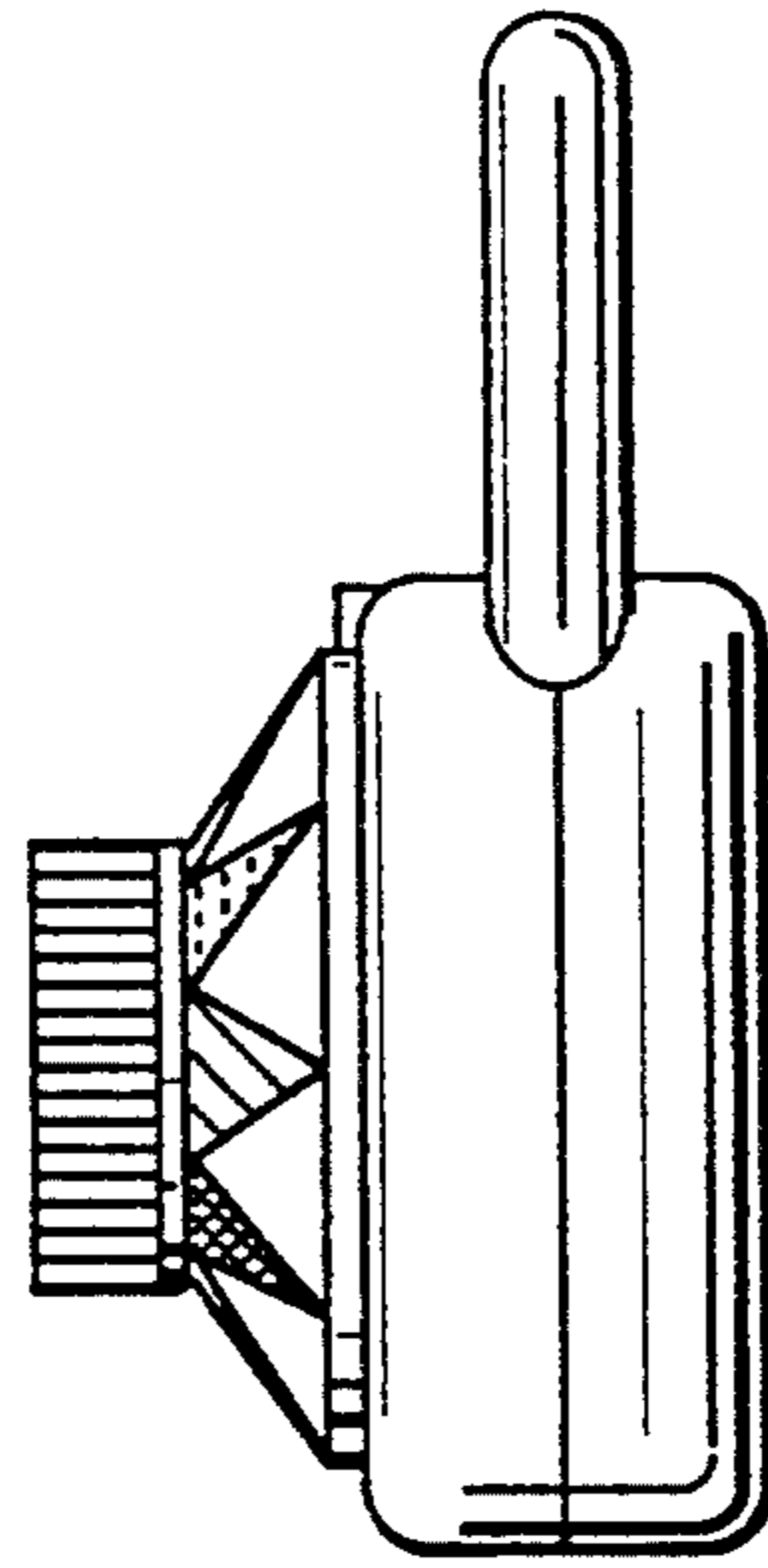


FIG. 2

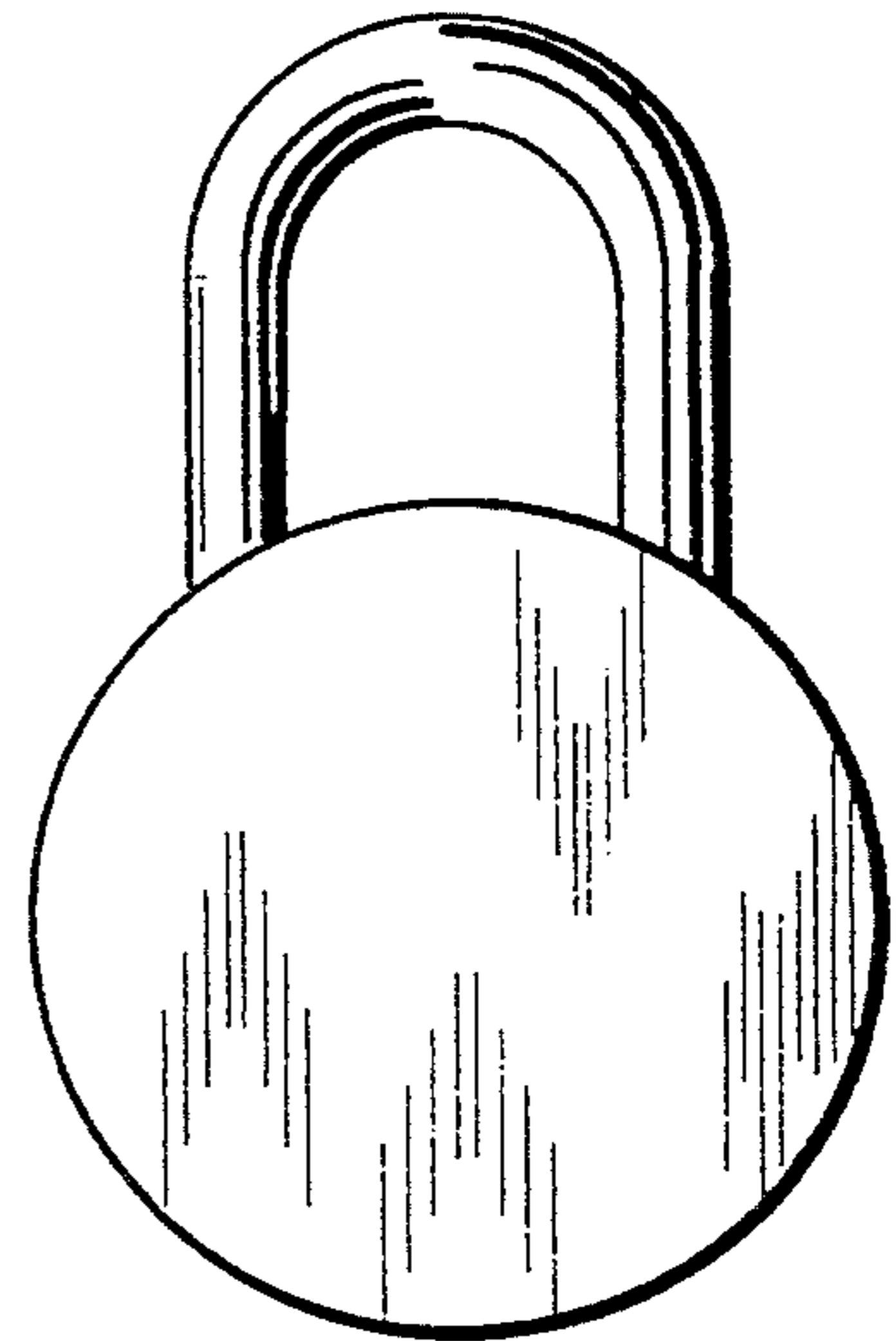


FIG. 3

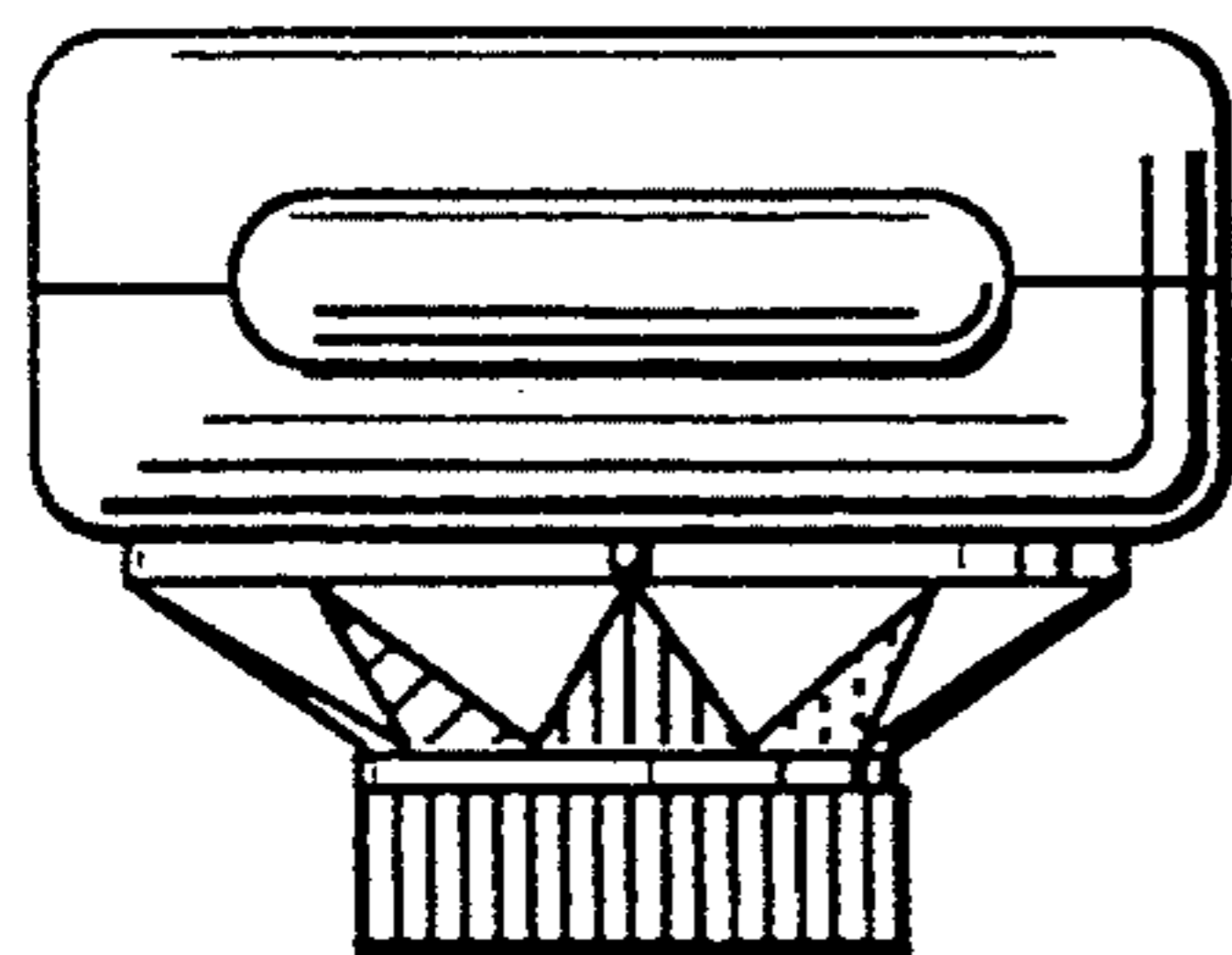


FIG. 4

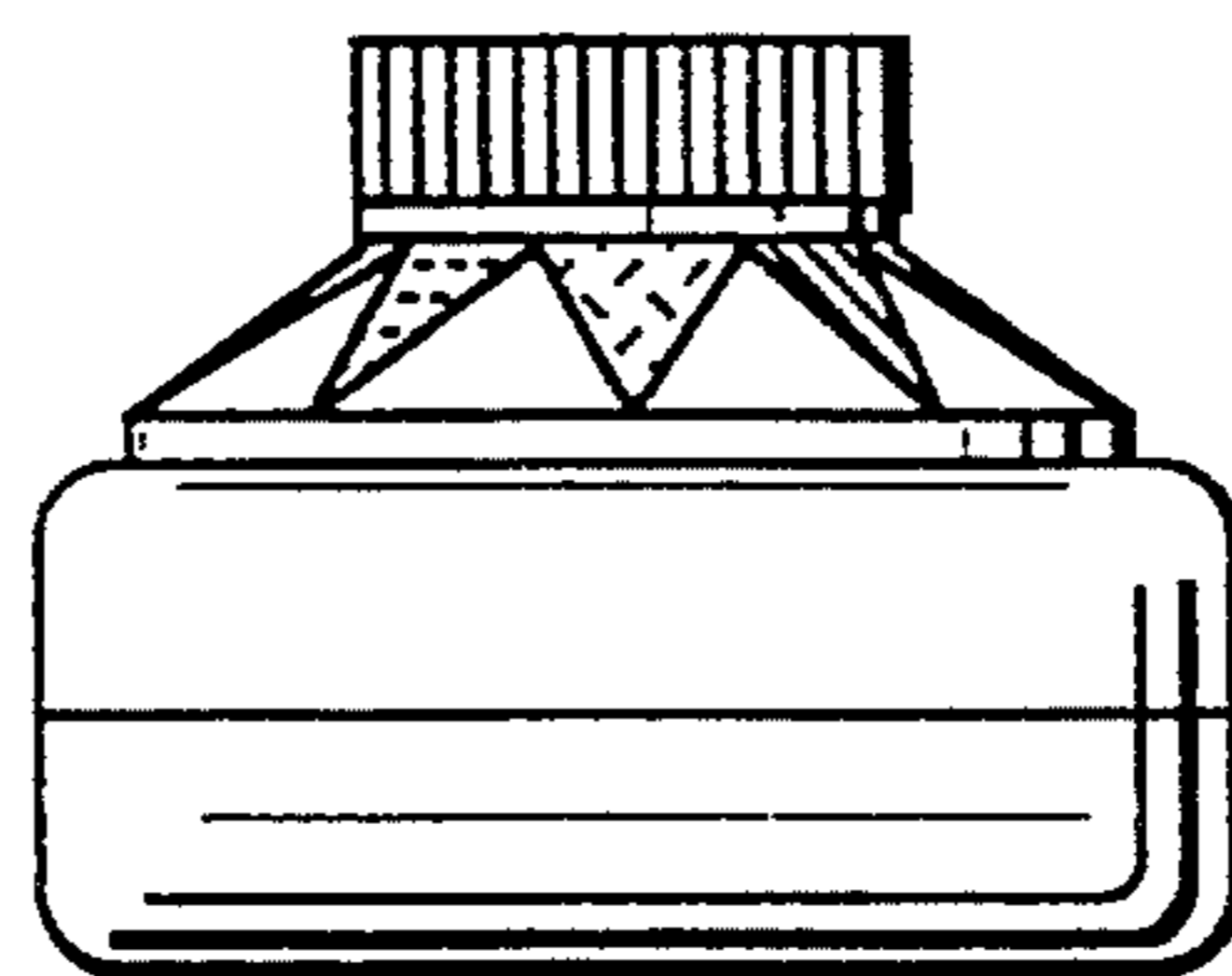


FIG. 5

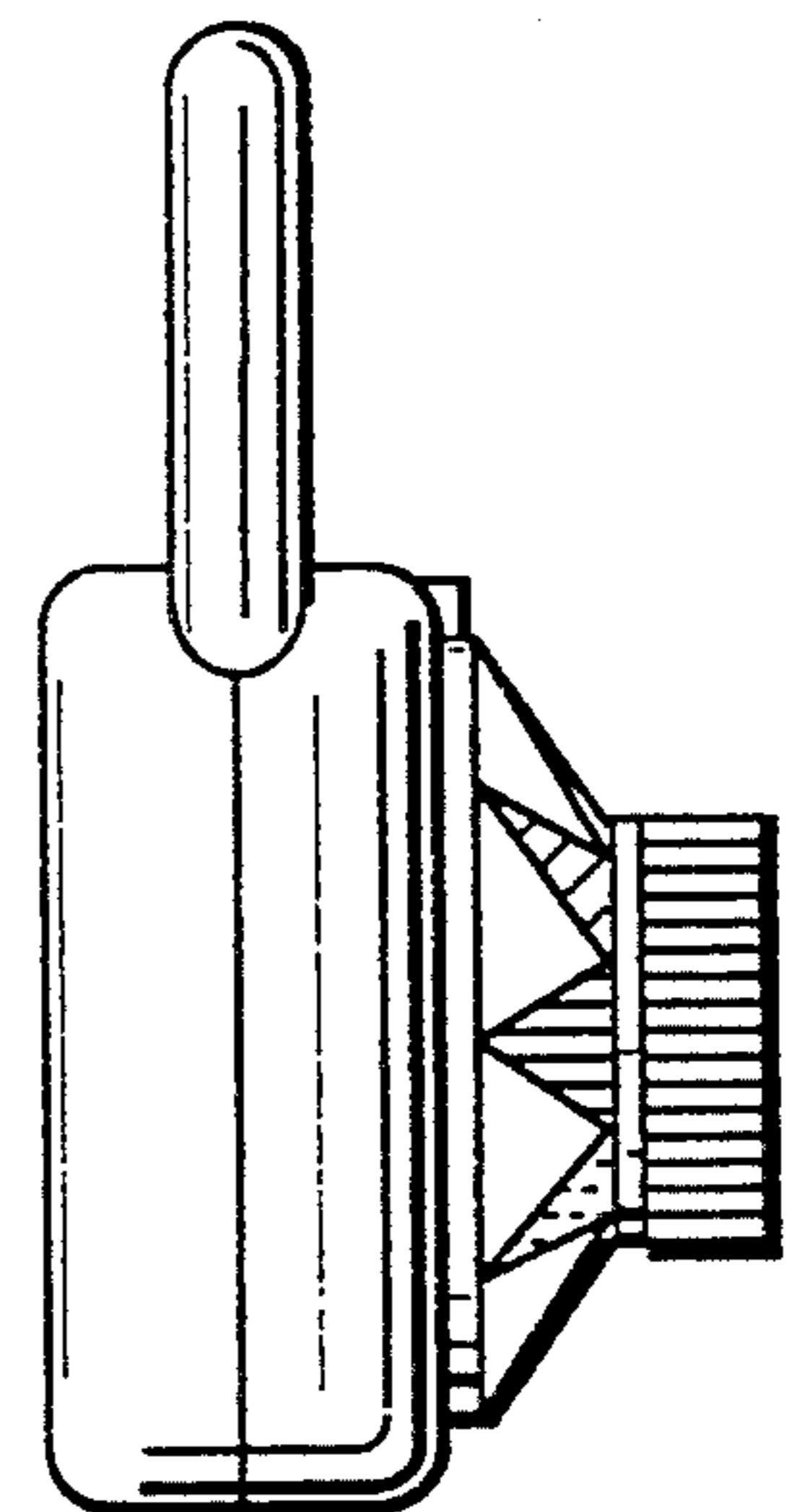


FIG. 6

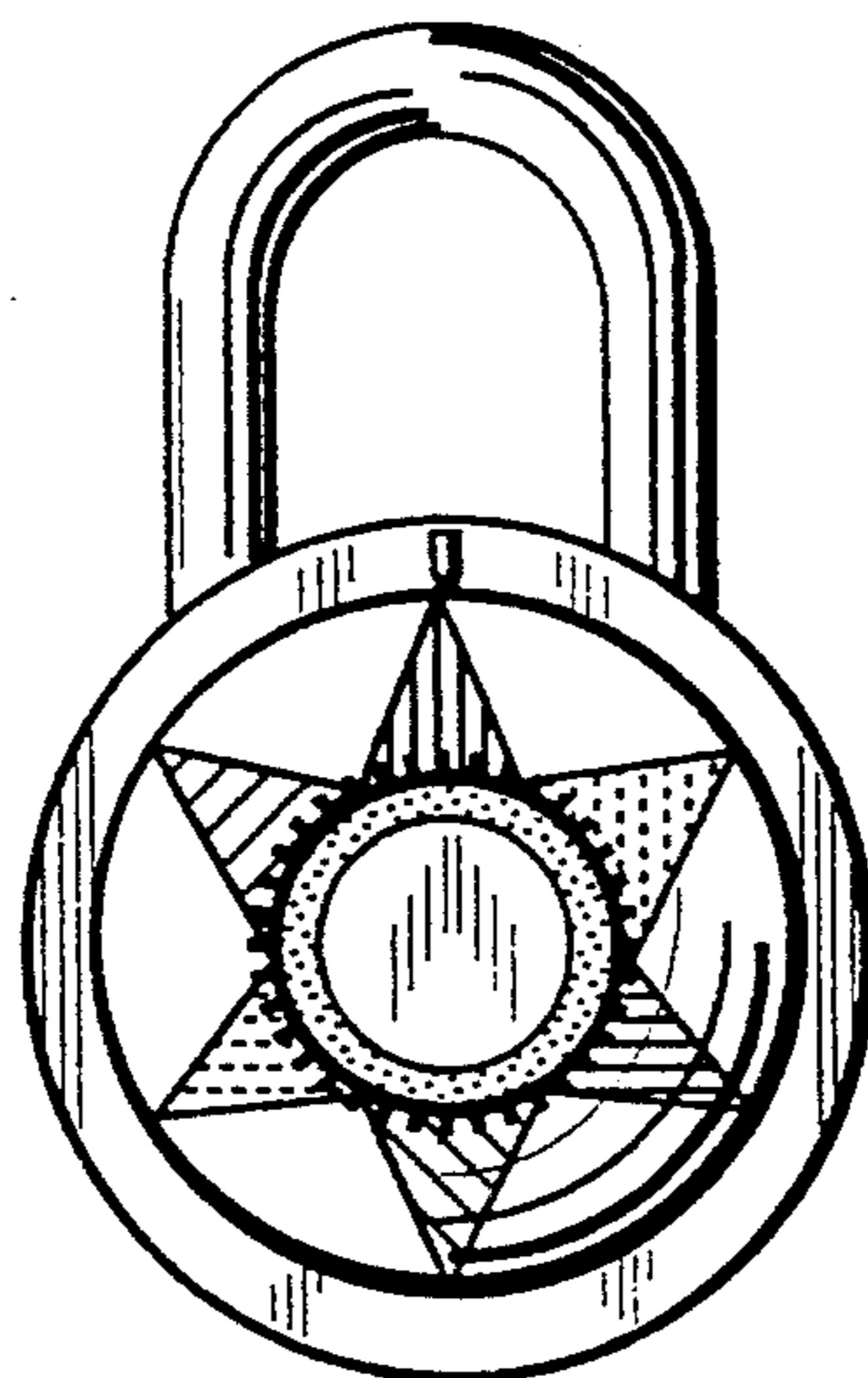


FIG. 7