



US00D360347S

# United States Patent [19]

[11] Patent Number: Des. 360,347

Pollard

[45] Date of Patent: \*\* Jul. 18, 1995

[54] FIRE HYDRANT LOCK

5,213,294 5/1993 DeBord ..... 248/147

[76] Inventor: Jerry K. Pollard, 15 Surrey Trail, Rome, Ga. 30161

Primary Examiner—Brian N. Vinson  
Attorney, Agent, or Firm—Hopkins & Thomas

[\*\*] Term: 14 Years

[57] CLAIM

[21] Appl. No.: 18,904

The ornamental design for a fire hydrant lock, as shown and described.

[22] Filed: Feb. 17, 1994

[52] U.S. Cl. .... D8/331

[58] Field of Search ..... D8/330-331,  
D8/346; 70/14, 57, 158, 174-175, 177

DESCRIPTION

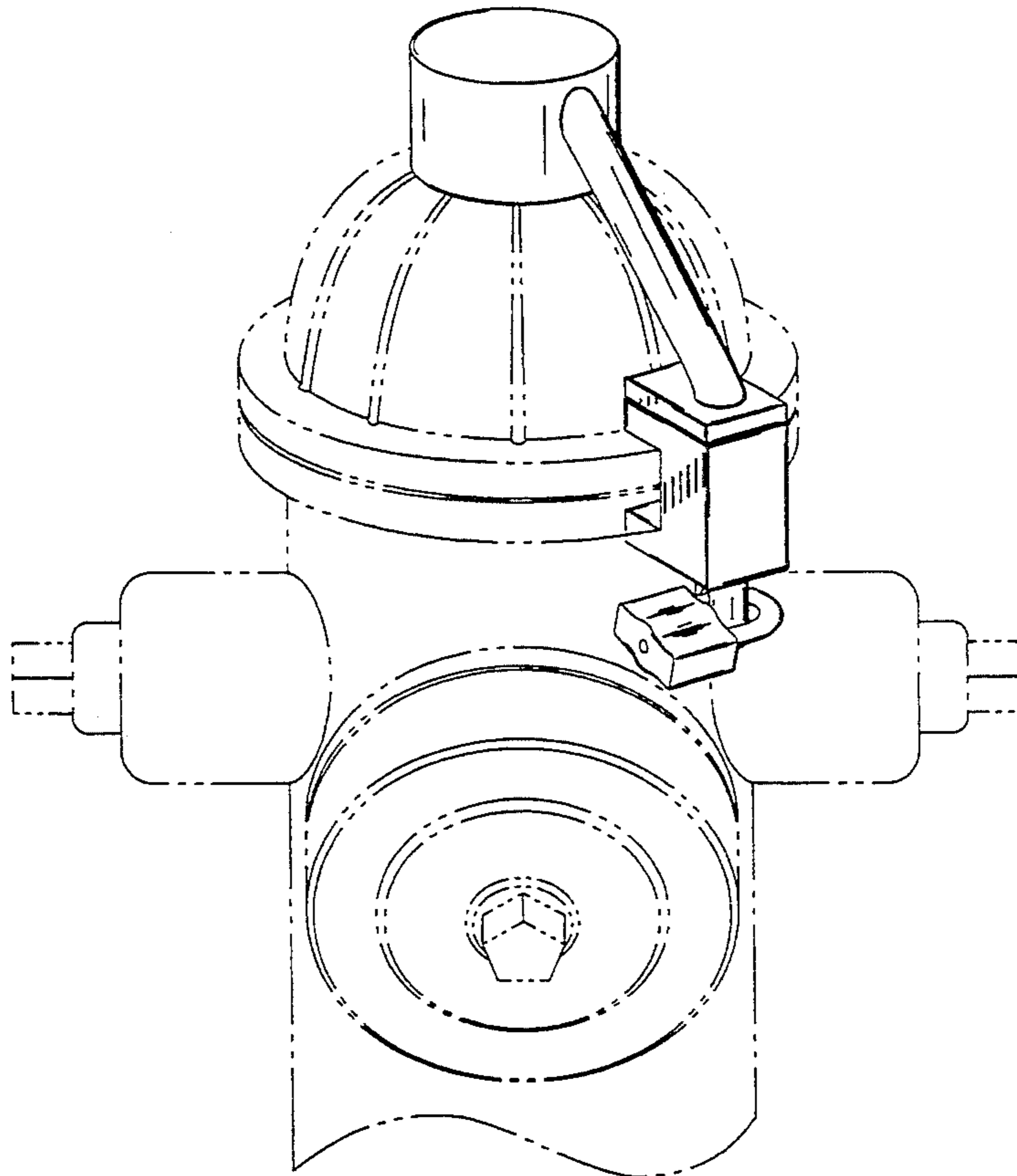
[56] References Cited

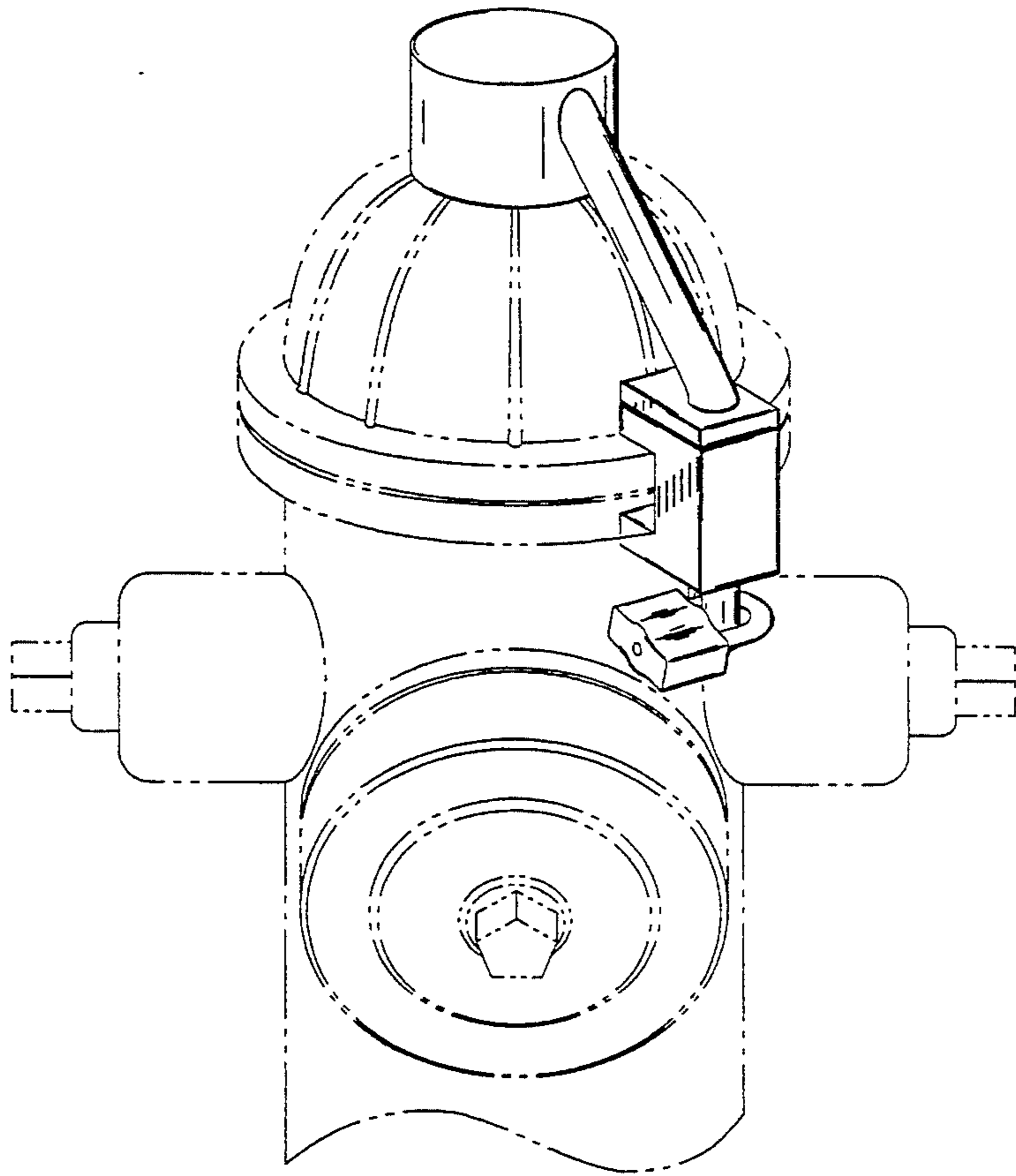
U.S. PATENT DOCUMENTS

307,701	10/1884	Cole	70/178
716,204	12/1902	De Waldo	70/232
1,830,667	4/1930	Lolley	70/178
1,920,128	4/1933	Mickler	70/178
2,118,233	5/1938	Ruggio	137/296
2,377,036	5/1945	Quarfoot	70/178
2,838,064	6/1958	Schieberl	70/175 X
3,406,708	1/1966	Maydock	70/180
3,623,498	11/1971	Manahan	137/296
4,033,372	7/1977	Bowman	137/296
4,257,247	3/1981	Sims	70/232
4,484,595	11/1984	Vanek et al.	137/296
4,620,428	11/1986	Kopesky	70/175
4,656,848	4/1987	Rose	70/58
4,736,765	4/1988	Campbell	137/296
5,205,312	4/1993	Jerman et al.	70/175 X

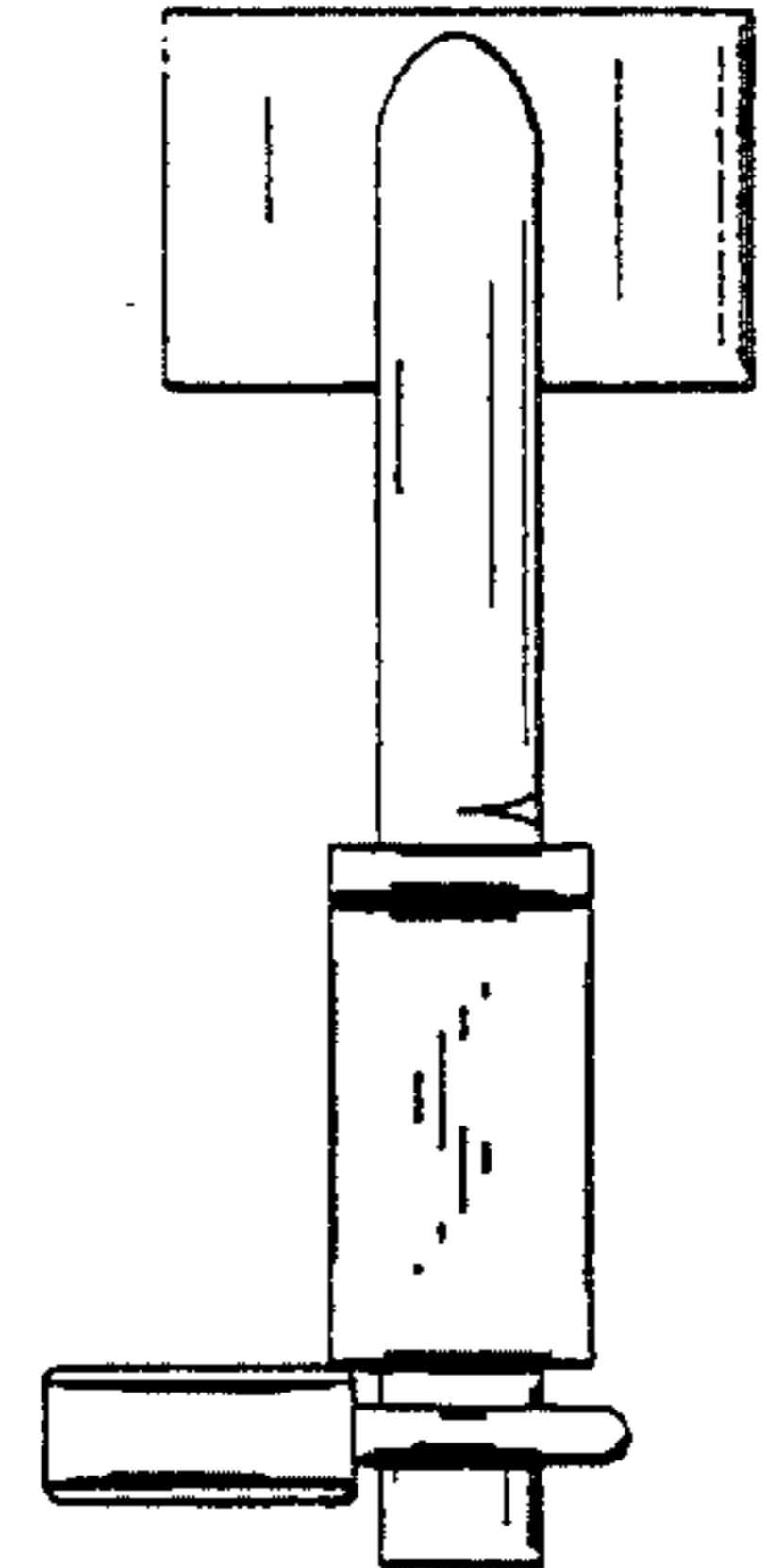
FIG. 1 is a top, front, and left side perspective view of a fire hydrant lock showing my new design; FIG. 2 is a left side elevational view thereof; FIG. 3 is a right side elevational view thereof; FIG. 4 is a front elevational view thereof; FIG. 5 is a rear elevational view thereof; FIG. 6 is a top plan view thereof; FIG. 7 is a bottom plan view thereof; FIG. 8 is a top, front, and right side perspective view of an alternative embodiment of a fire hydrant lock showing my new design; FIG. 9 is a left side elevational view thereof; FIG. 10 is a right side elevational view thereof; FIG. 11 is a front elevational view thereof; FIG. 12 is a rear elevational view thereof; FIG. 13 is a top plan view thereof; and, FIG. 14 is a bottom plan view thereof.

The broken-line disclosure of a portion of a fire hydrant in the views is for illustrative purpose only and forms no part of the claimed design.

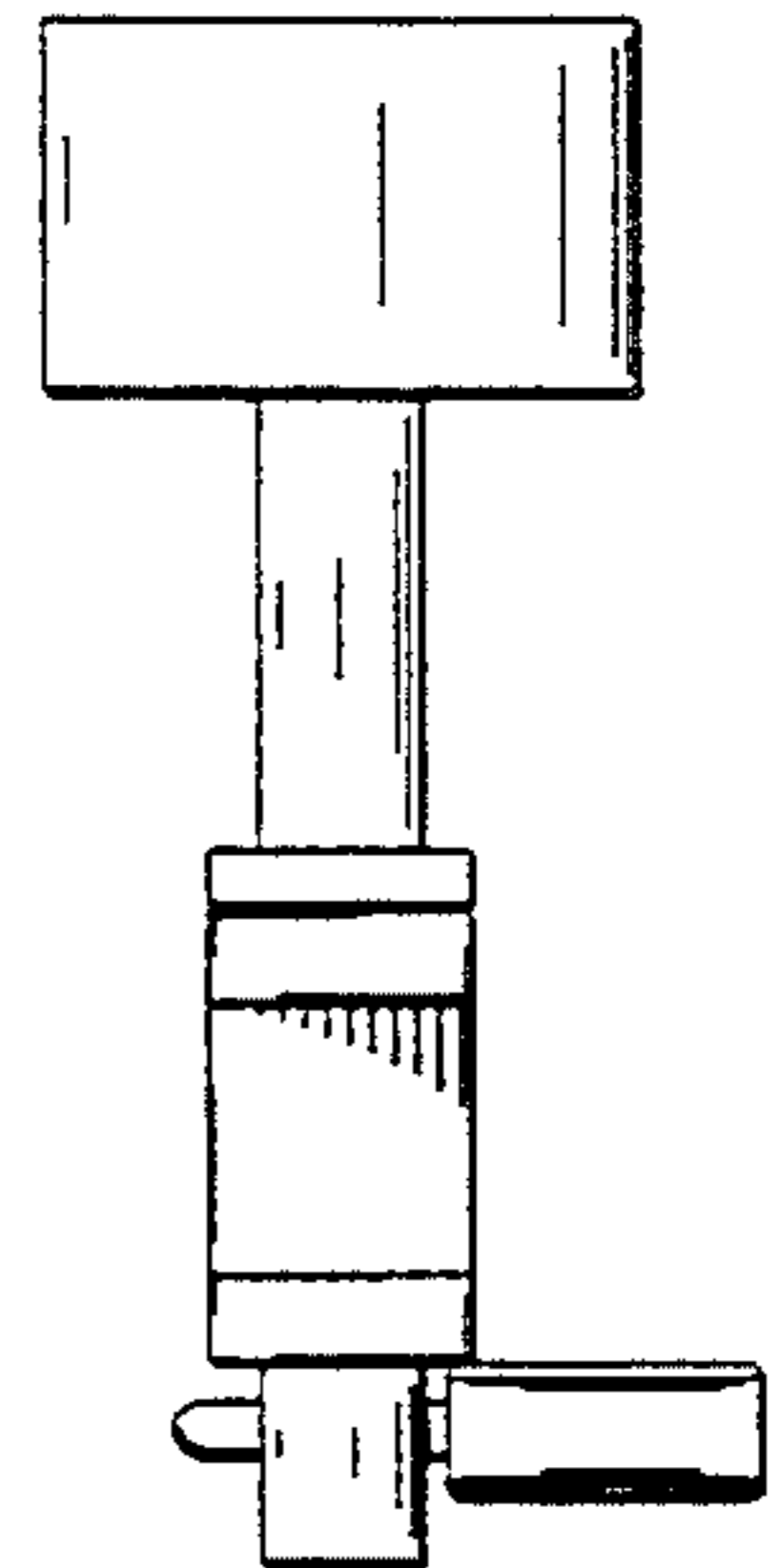




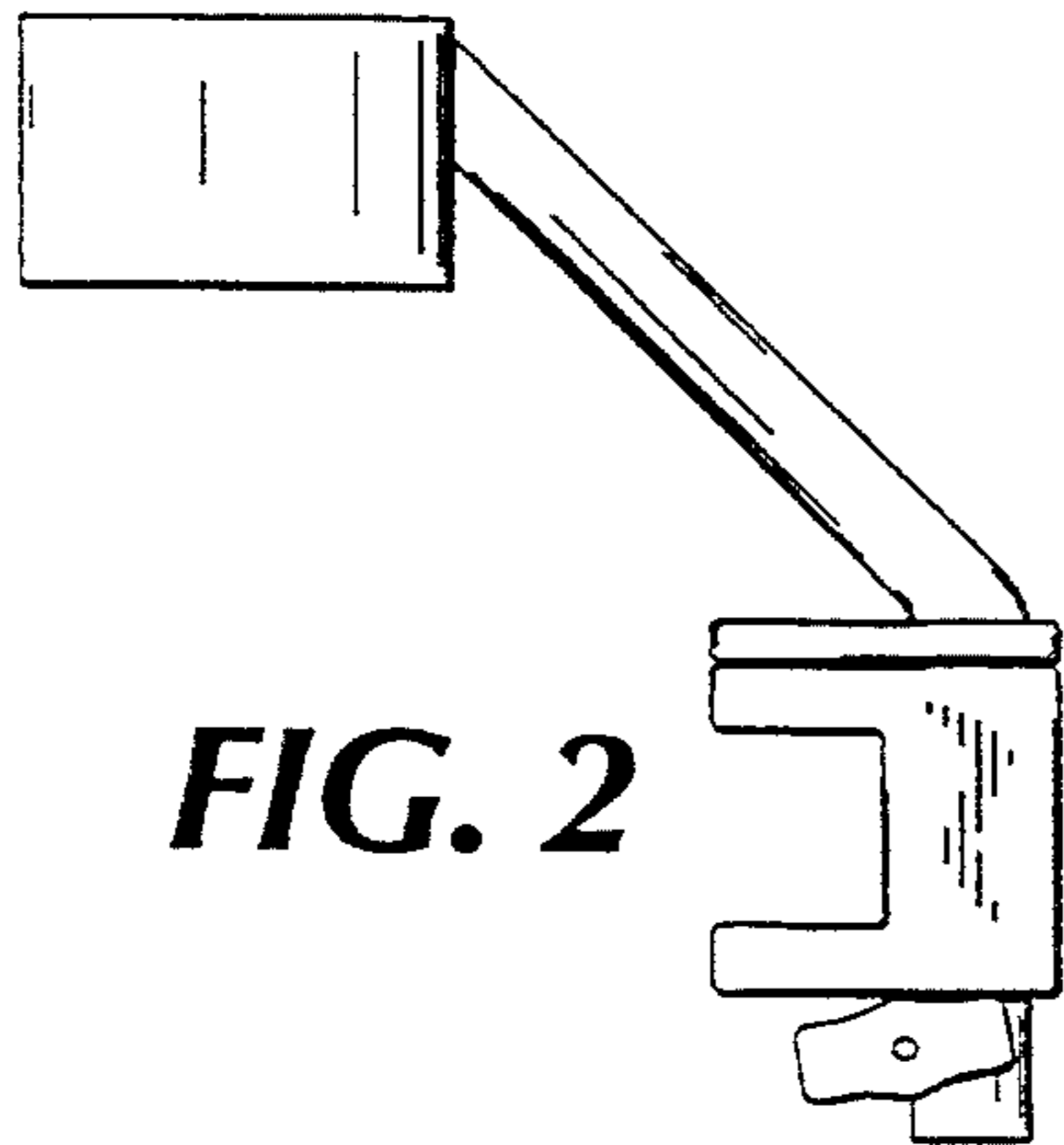
**FIG. 1**



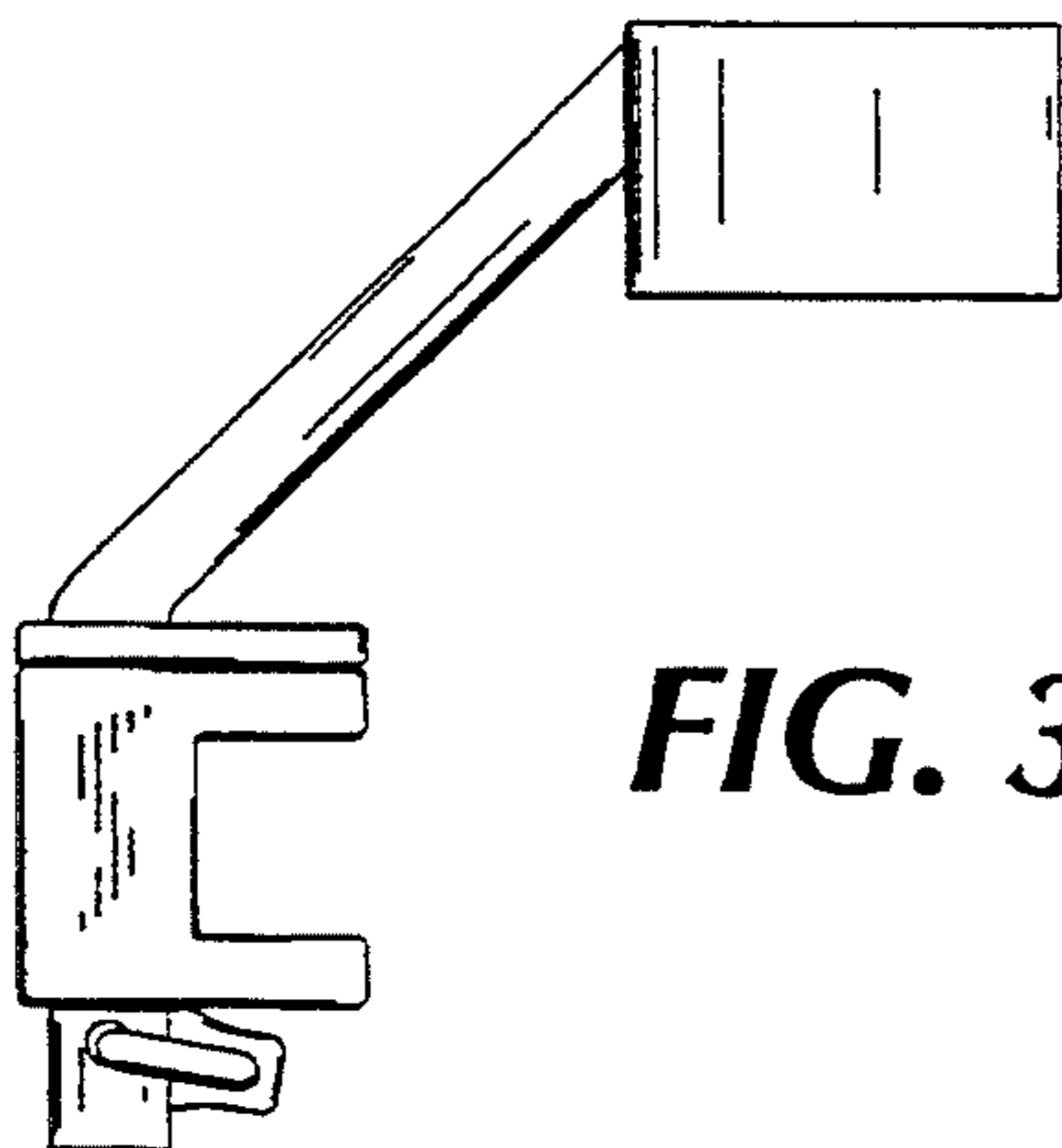
**FIG. 4**



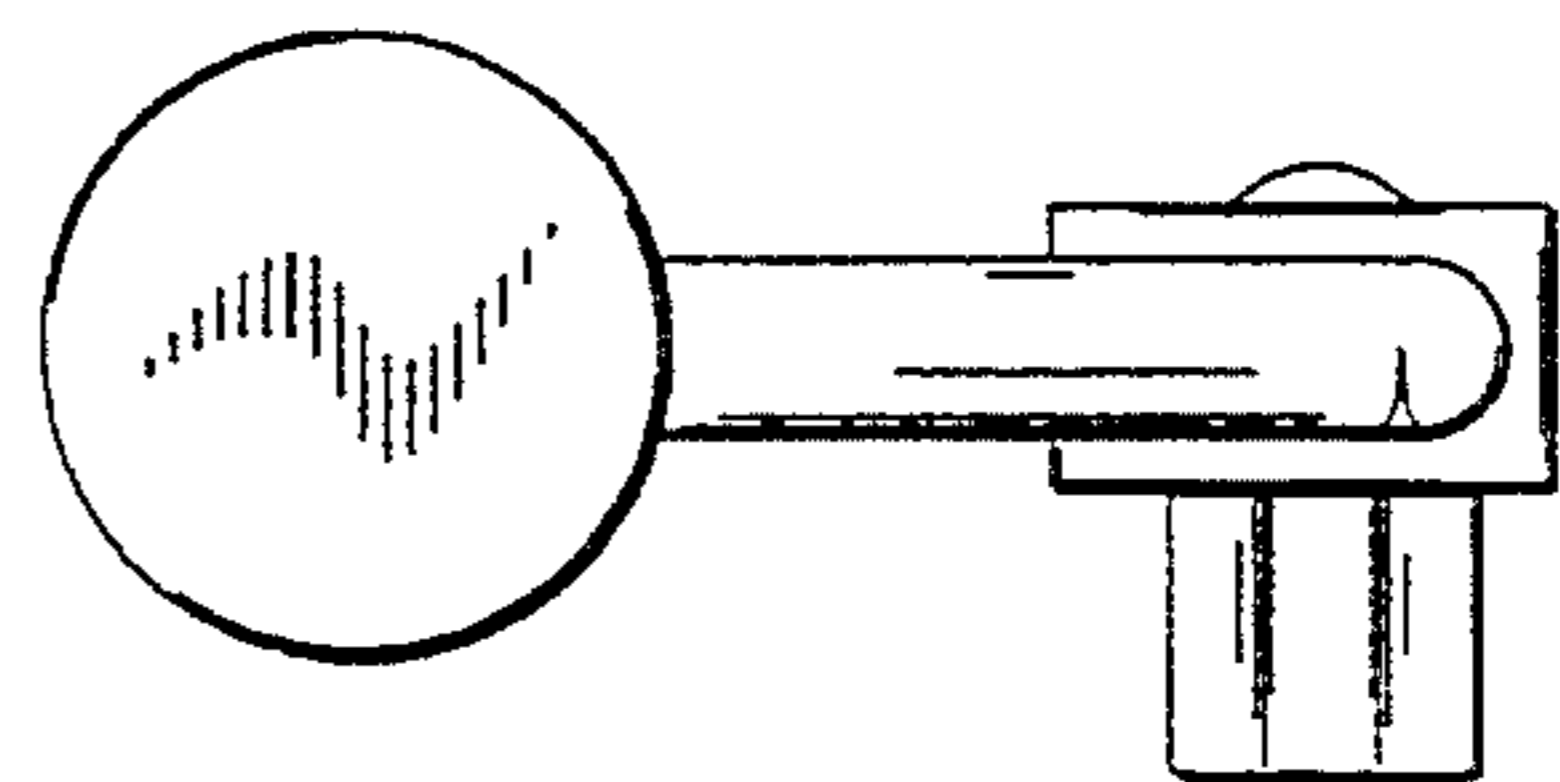
**FIG. 5**



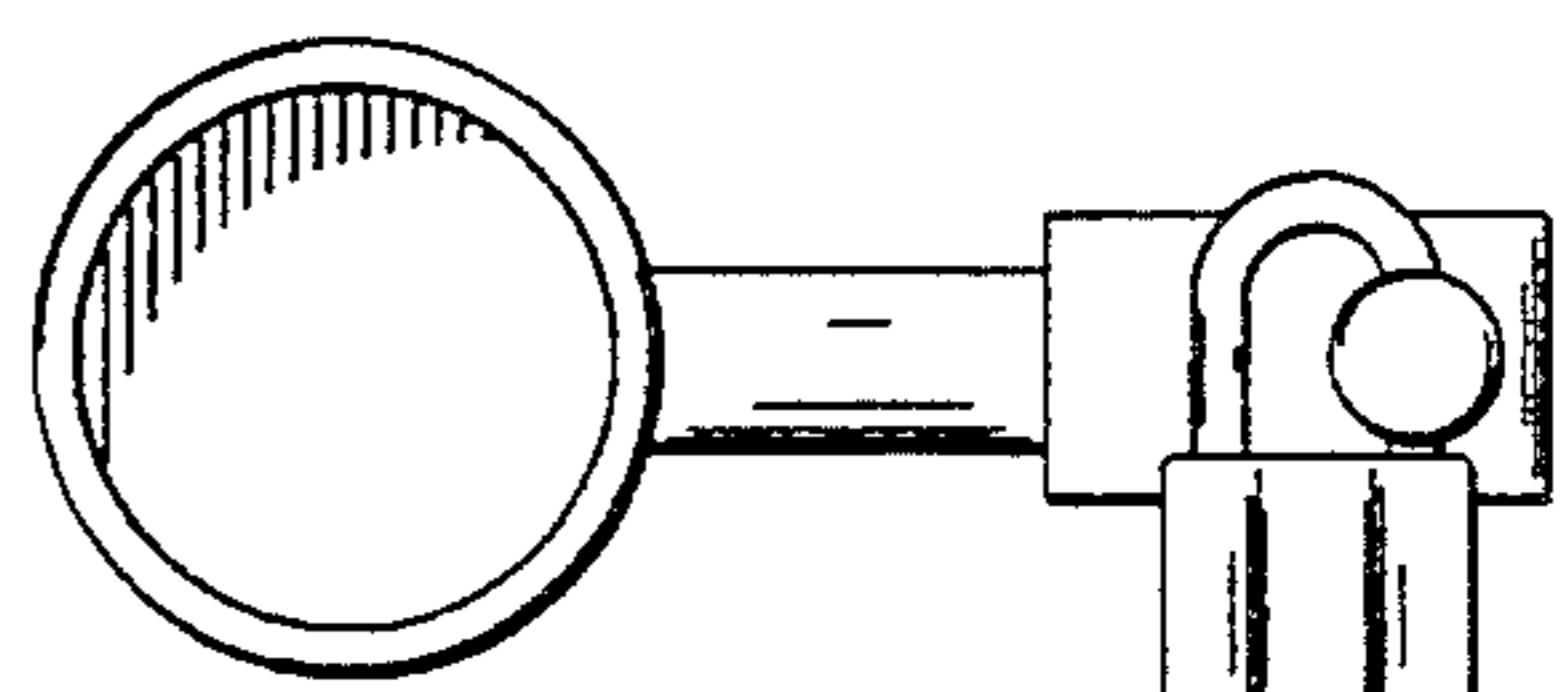
**FIG. 2**



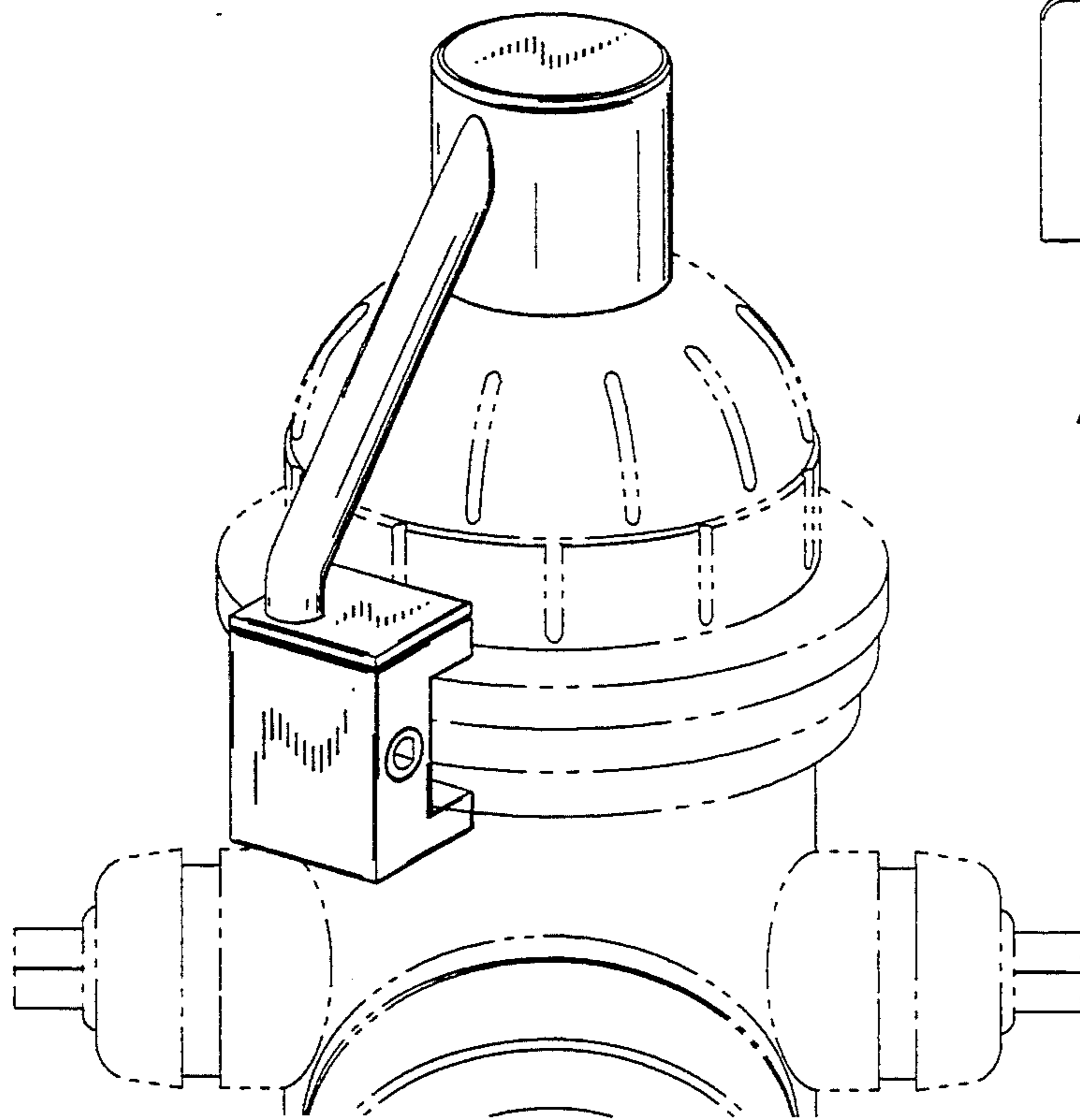
**FIG. 3**



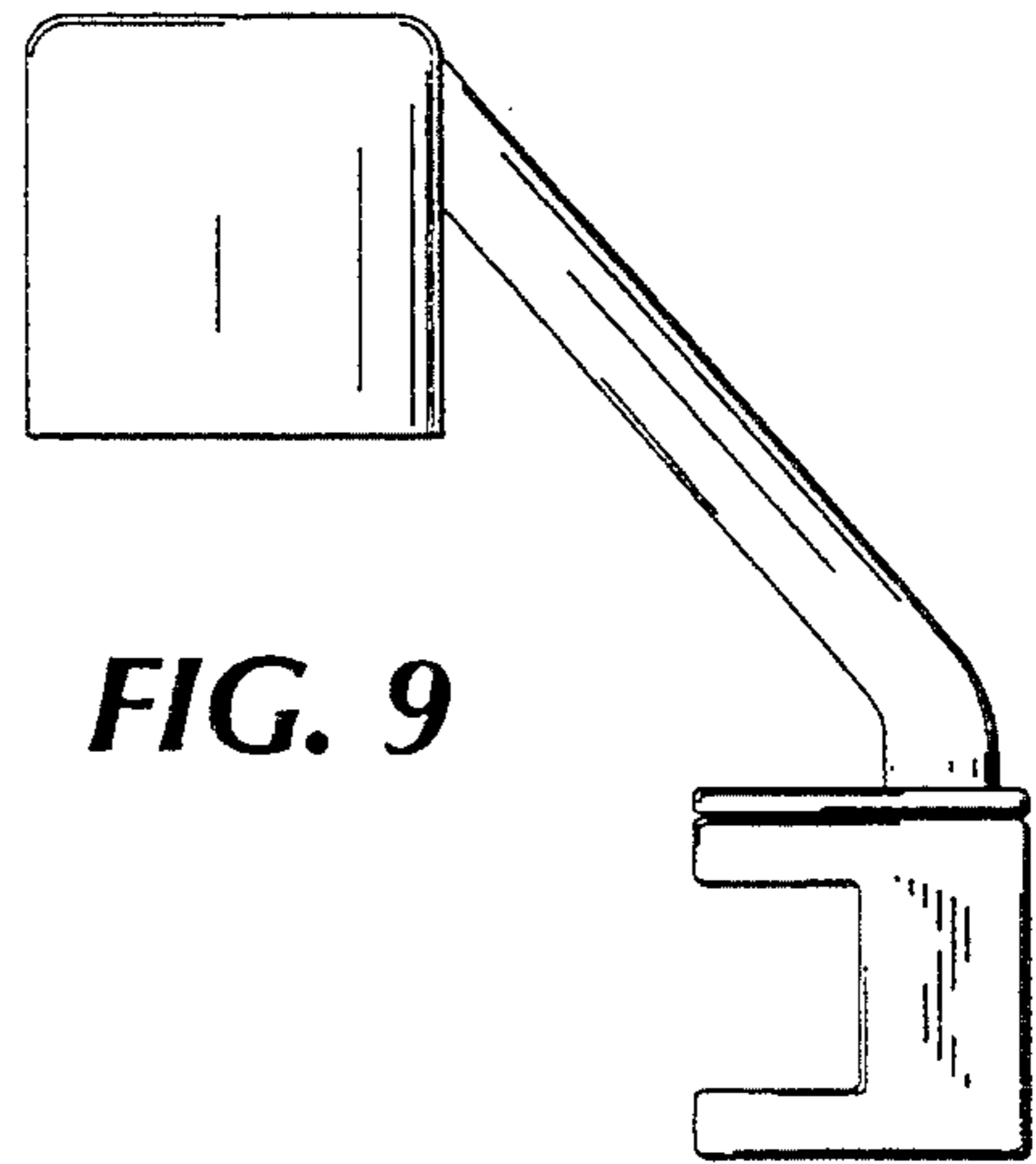
**FIG. 6**



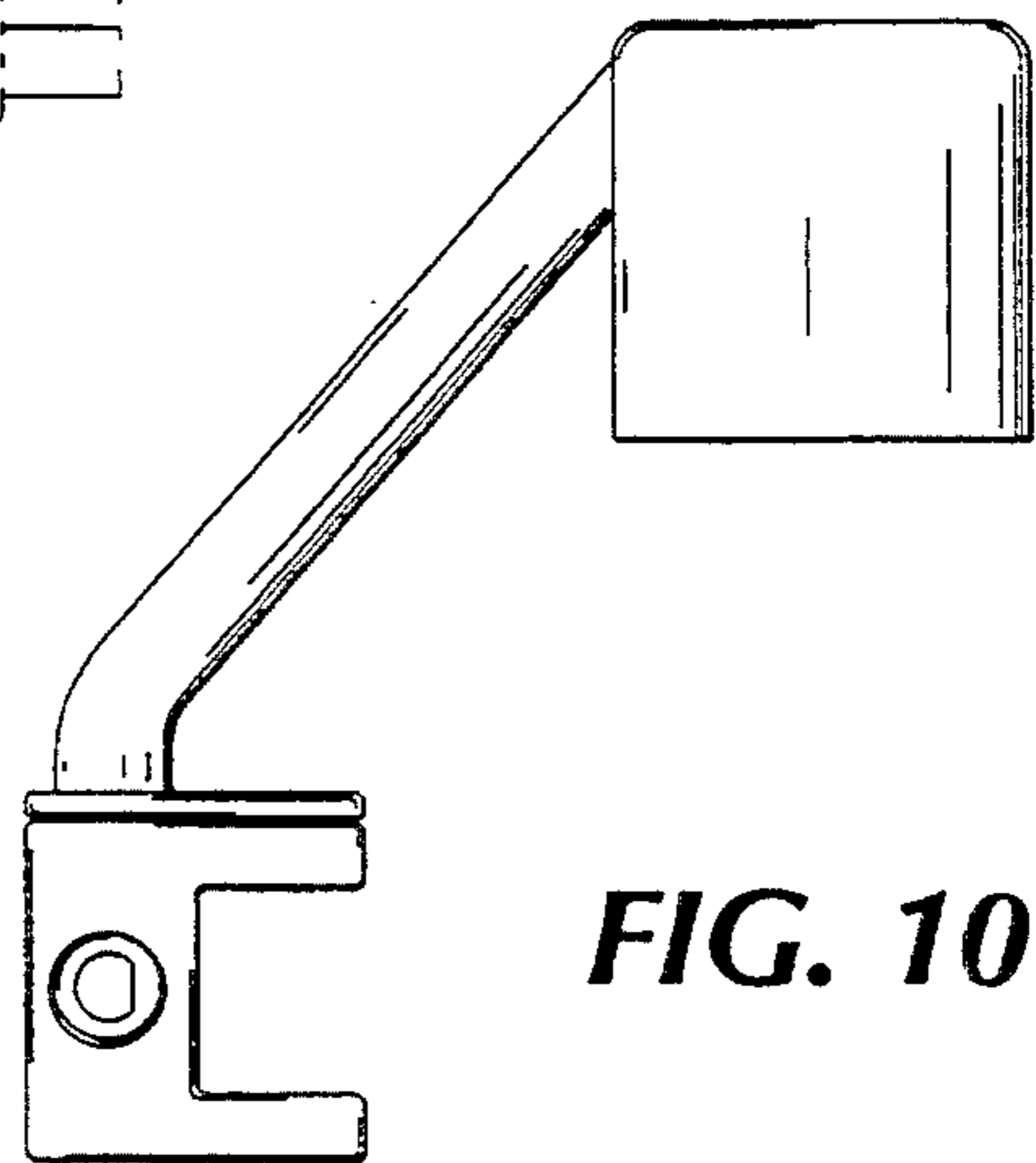
**FIG. 7**



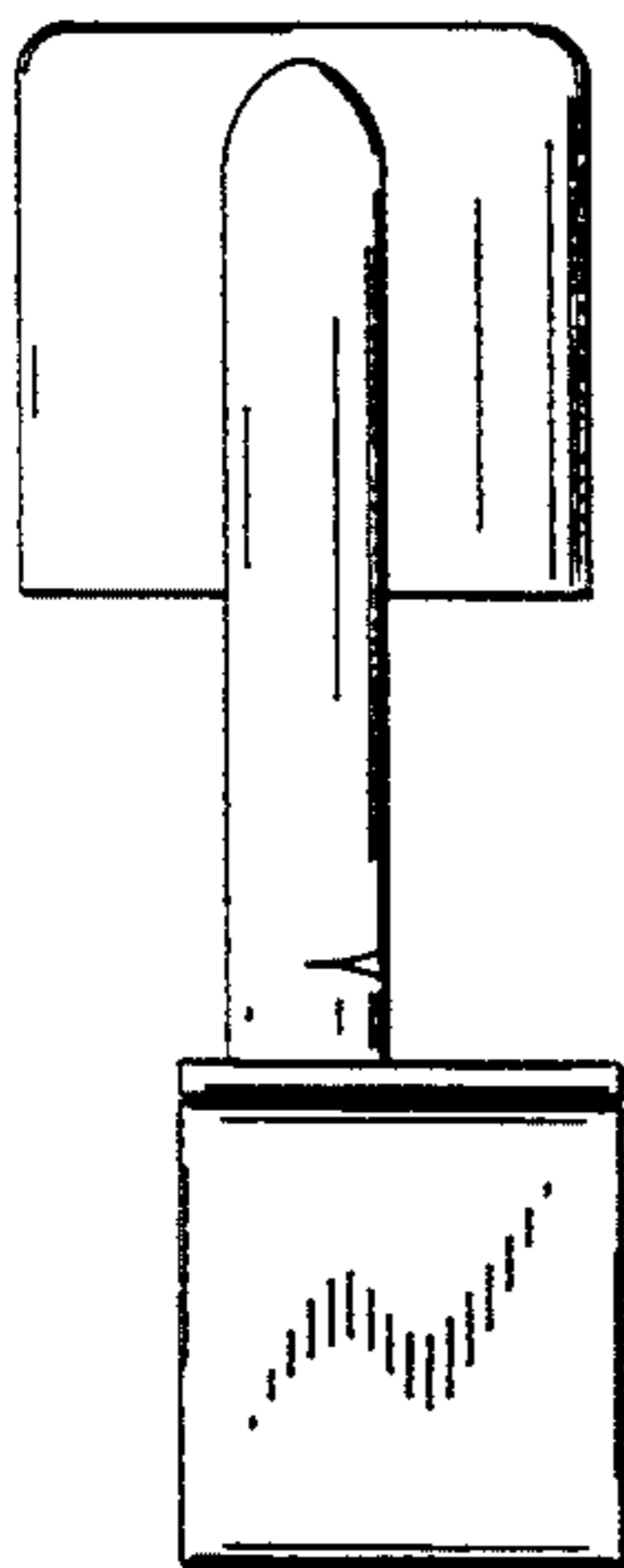
**FIG. 8**



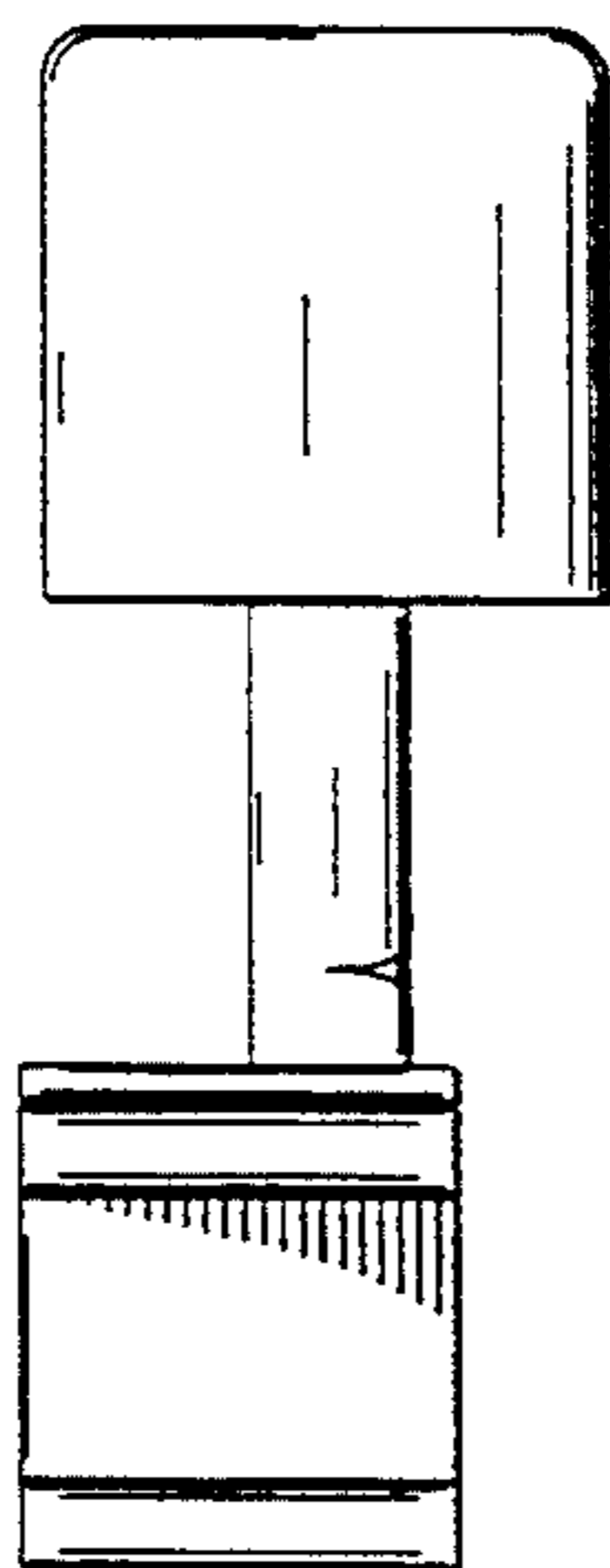
**FIG. 9**



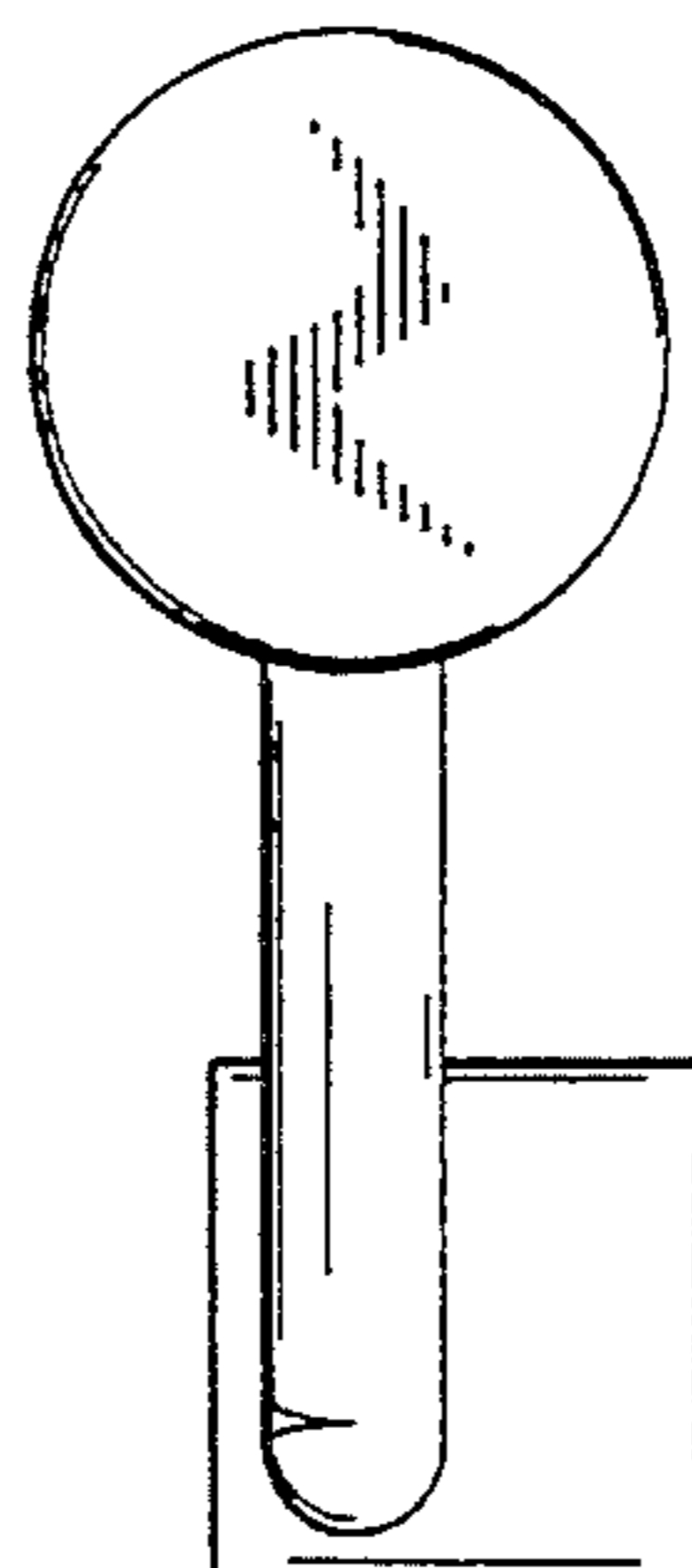
**FIG. 10**



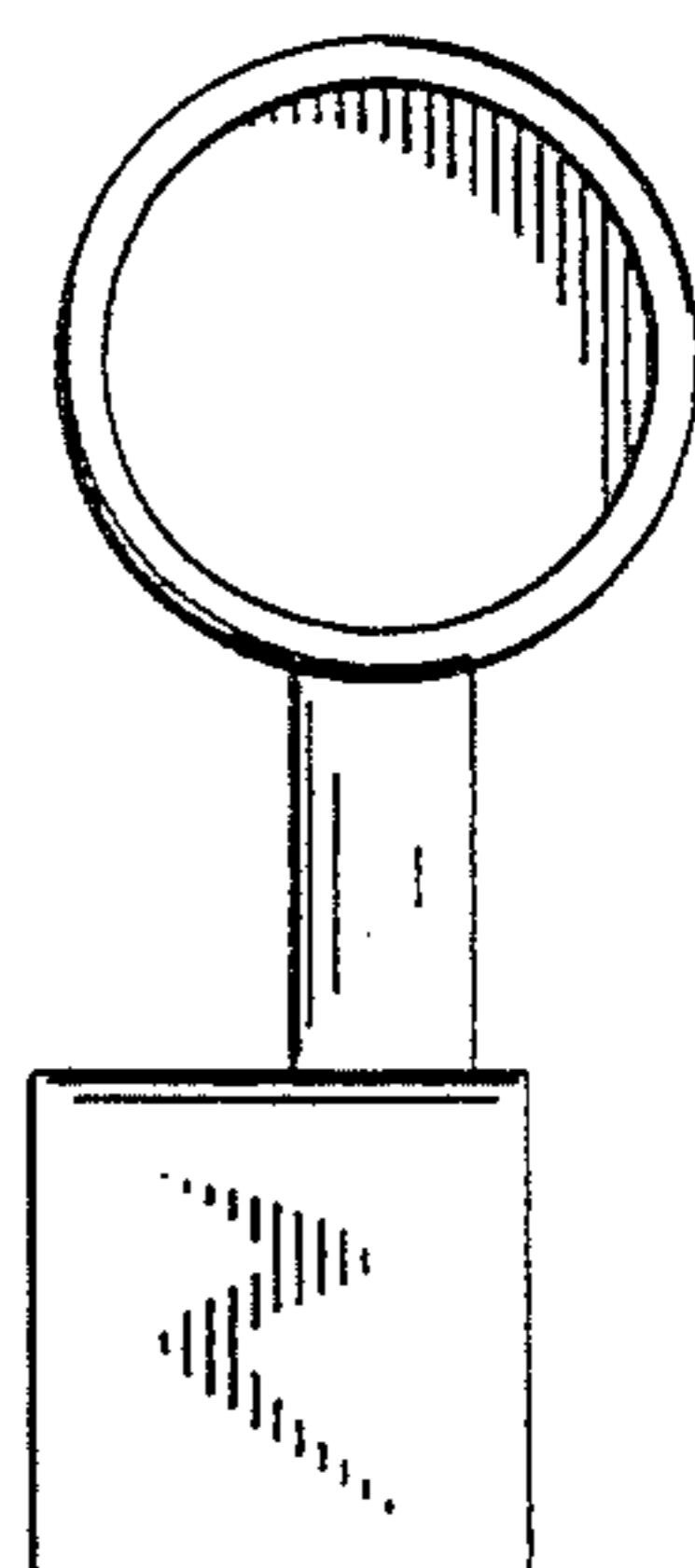
**FIG. 11**



**FIG. 12**



**FIG. 13**



**FIG. 14**