



US00D360345S

# United States Patent [19]

[11] Patent Number: **Des. 360,345**

Swan et al.

[45] Date of Patent: **\*\* Jul. 18, 1995**

[54] **COMBINED HANDLE AND LOCK UNIT**

3,885,269 5/1975 Helland ..... 16/110 R

[75] Inventors: **David A. Swan**, Shoreview; **Robert G. Lau**, Anoka, both of Minn.; **William R. Dorr**, Houston, Tex.

### OTHER PUBLICATIONS

Russwin Catalog, 1985, pp. 7-20, Mortise Locksets.

[73] Assignee: **Federal-Hoffman, Inc.**, Anoka, Minn.

*Primary Examiner*—Theodore M. Shooman

[\*\*] Term: **14 Years**

*Assistant Examiner*—Philip Hyder

[21] Appl. No.: **17,982**

*Attorney, Agent, or Firm*—Merchant, Gould, Smith, Edell, Welter & Schmidt

[22] Filed: **Jan. 26, 1994**

[52] U.S. Cl. .... **D8/308**

[58] Field of Search ..... D8/107, 308, 300, 307;  
70/455, DIG. 67; 16/110 R, 111 R, 114, 117,  
118

### [57] CLAIM

The ornamental design for a combined handle and lock unit, as shown and described.

### DESCRIPTION

### [56] References Cited

#### U.S. PATENT DOCUMENTS

D. 131,217	1/1942	Braun .....	D8/308
D. 190,562	6/1961	Schultz .....	D8/308
D. 191,632	10/1961	Schultz .....	D8/308
D. 197,400	1/1964	Patriquin .....	D8/308
D. 262,601	1/1982	Peppard .....	D8/308
D. 287,458	12/1986	Decursu .....	D8/308

FIG. 1 is a view in perspective taken from the front and one side of a combined handle and lock unit according to our design;

FIG. 2 is a front elevational view thereof;

FIG. 3 is a rear elevational view thereof;

FIG. 4 is a bottom plan view of FIG. 2, the top plan view being a mirror image thereof;

FIG. 5 is a view taken from the right side elevational of FIG. 2; and,

FIG. 6 is a view of the opposite side thereof.

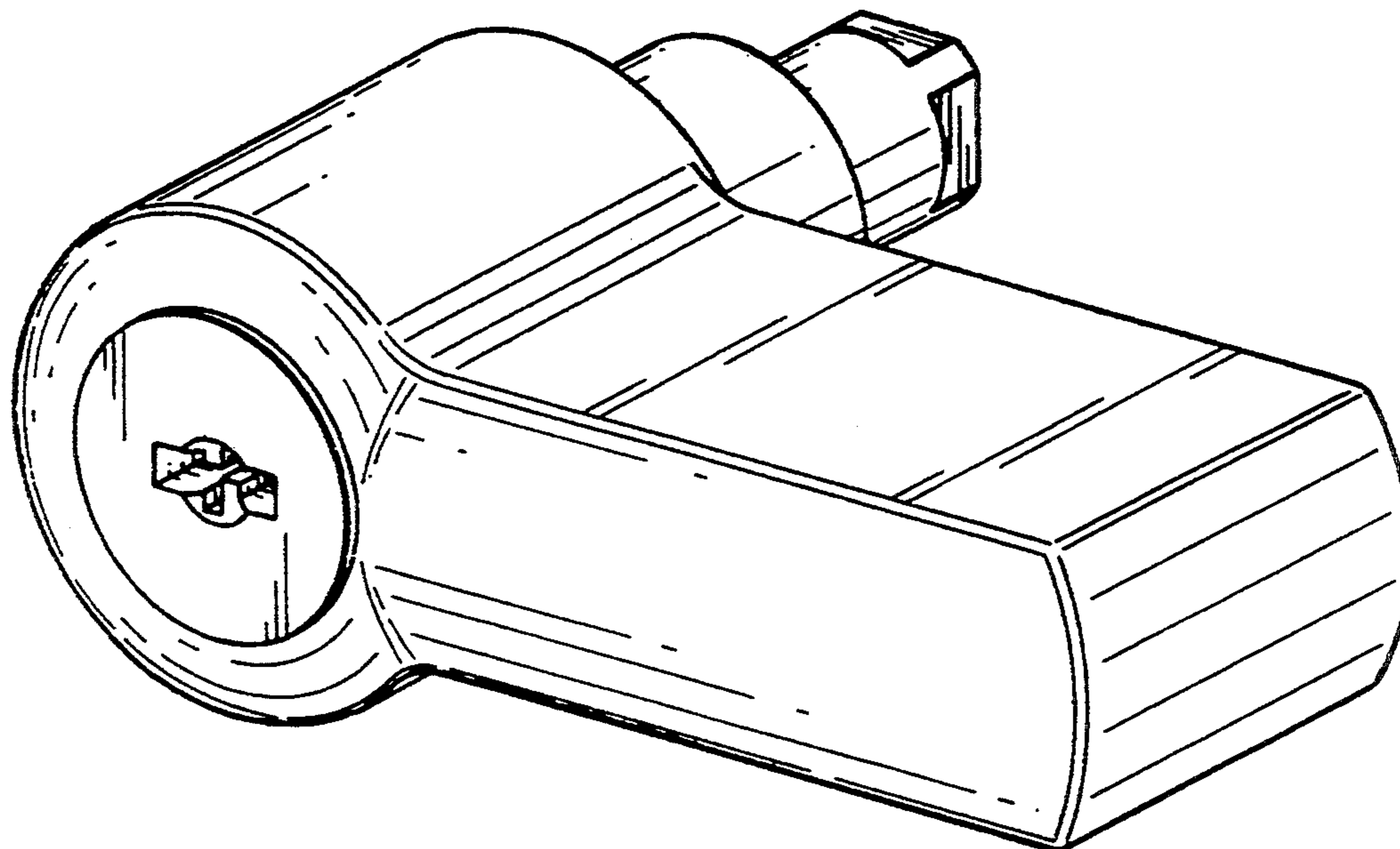


FIG. 1

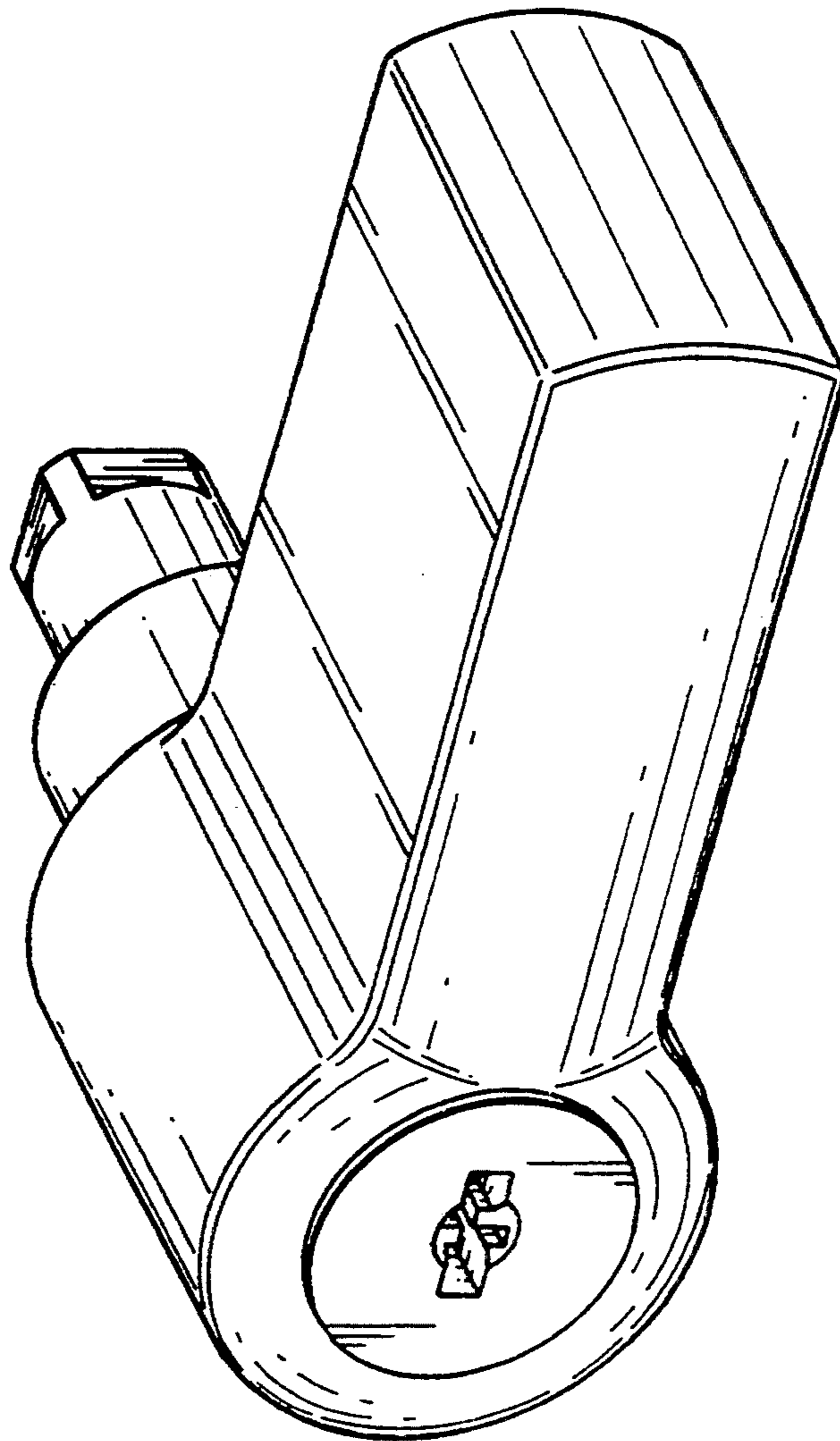


FIG. 2

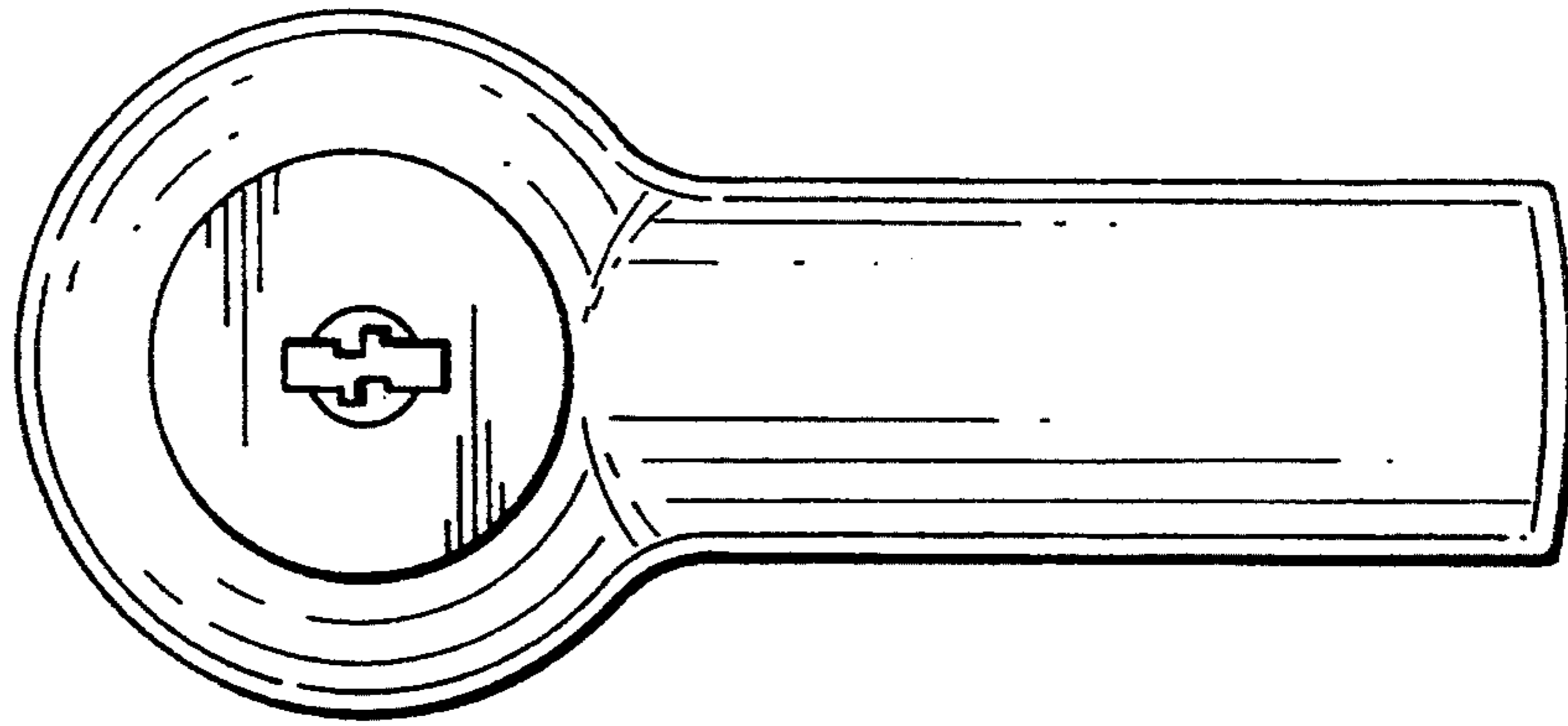


FIG. 3

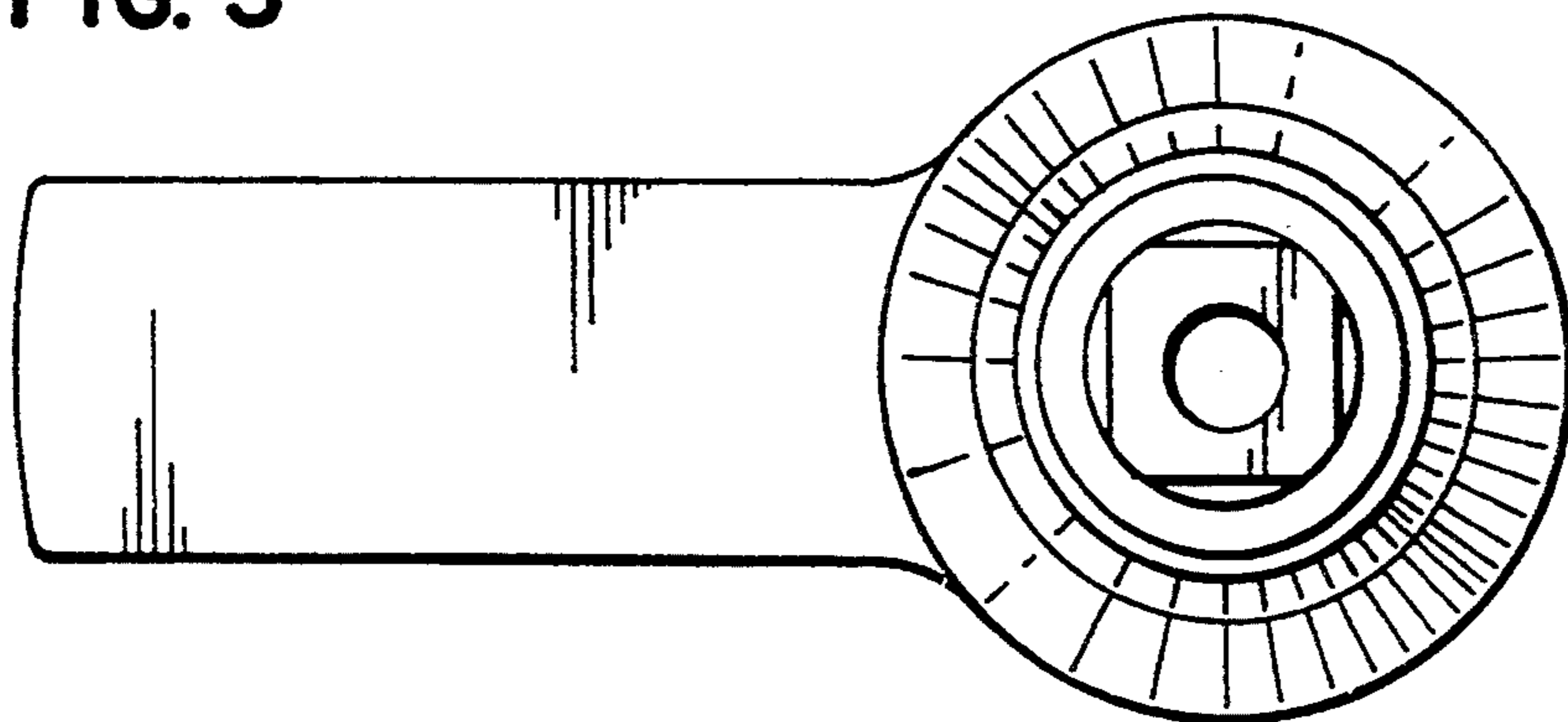


FIG. 4

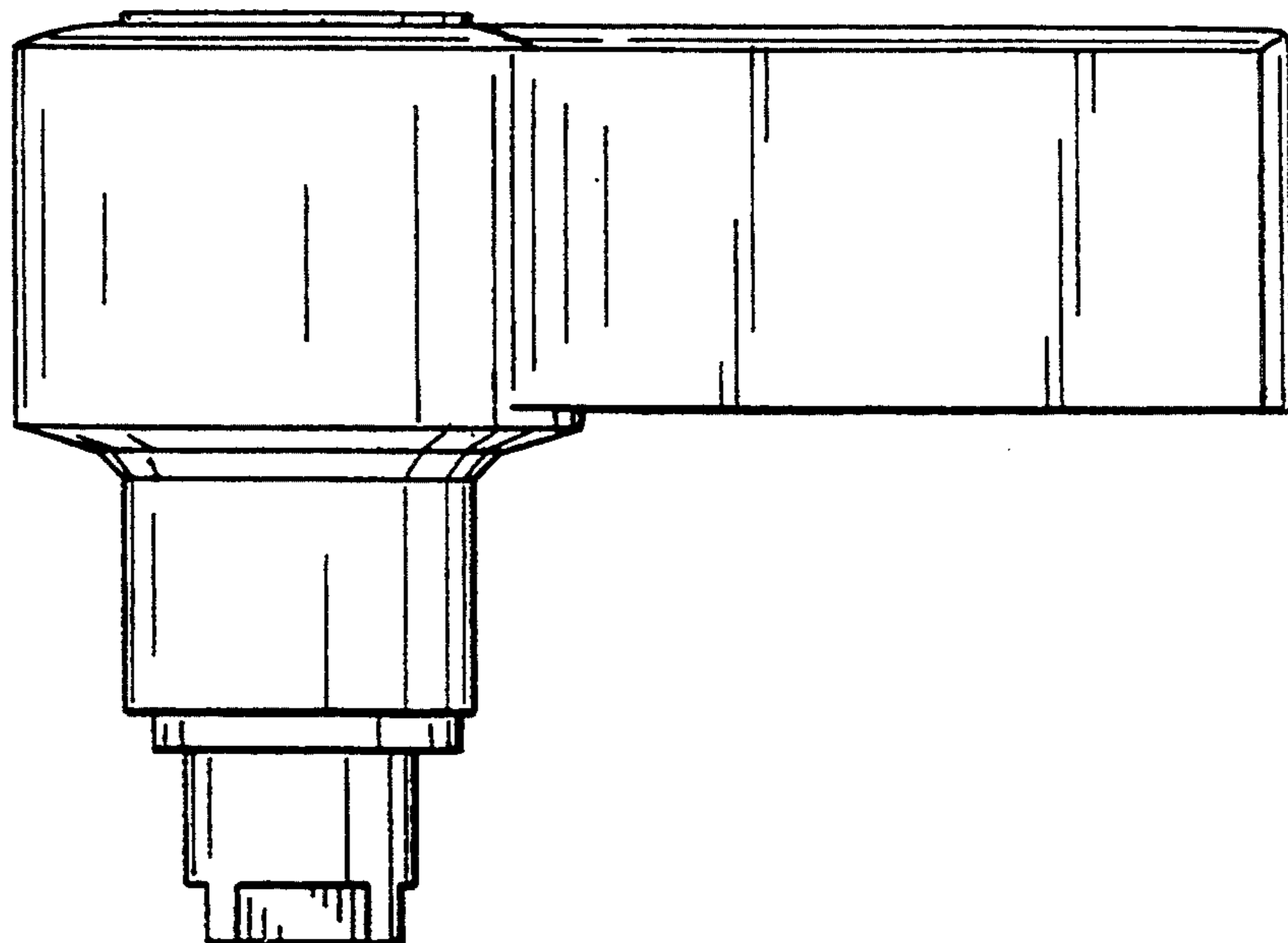


FIG. 5

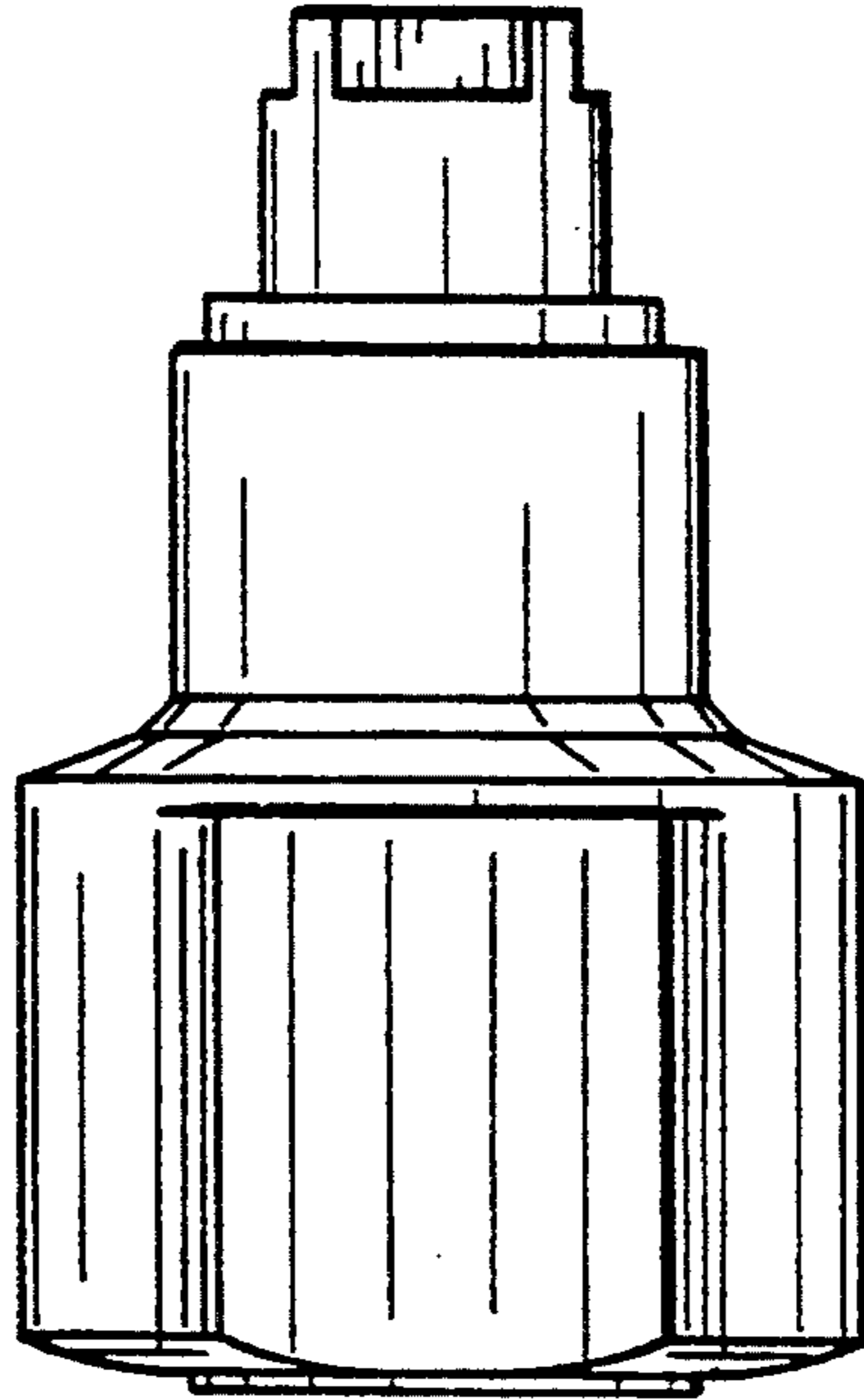


FIG. 6

