



US00D360342S

# United States Patent [19]

[11] Patent Number: Des. 360,342

Shea

[45] Date of Patent: \*\* Jul. 18, 1995

[54] **TOOL HANDLE WITH INTERCHANGEABLE SHOVEL BLADE**

[76] Inventor: **John V. Shea**, Faribault Motor Lodge Rm. 101, Faribault, Minn. 55021

[\*\*] Term: **14 Years**

[21] Appl. No.: **24,599**

[22] Filed: **Jun. 17, 1994**

[52] U.S. Cl. .... **D8/10**

[58] Field of Search ..... D8/1, 10, DIG. 7, 107; 81/489, 177.2, 177.8; 16/111 R, 114 R; 7/167

[56] **References Cited**

**U.S. PATENT DOCUMENTS**

- D. 212,958 12/1968 Golenski ..... D8/10
- D. 251,954 5/1979 Raffler et al. .... D8/1
- D. 298,906 12/1988 Bonnes ..... D8/10
- D. 307,378 4/1990 D'Alessandro ..... D8/10

**OTHER PUBLICATIONS**

- Langenbach, Spring 1992, p. 26, Extension Pole, item A in middle of page.
- Gardena Catalog, Jun. 1984, p. 27, Handle—item A at bottom of page.

True Temper Catalog, Feb. 17, 1986, p. 2, Shovel—item No. 24 in center of page.

Gardena, 1987, p. 33, Extension Handle, located at right bottom of page.

*Primary Examiner*—A. Hugo Word  
*Assistant Examiner*—Holly Baynham  
*Attorney, Agent, or Firm*—Kevin A. Sembrat

[57] **CLAIM**

The ornamental design for an tool handle with interchangeable shovel blade, as shown and described.

**DESCRIPTION**

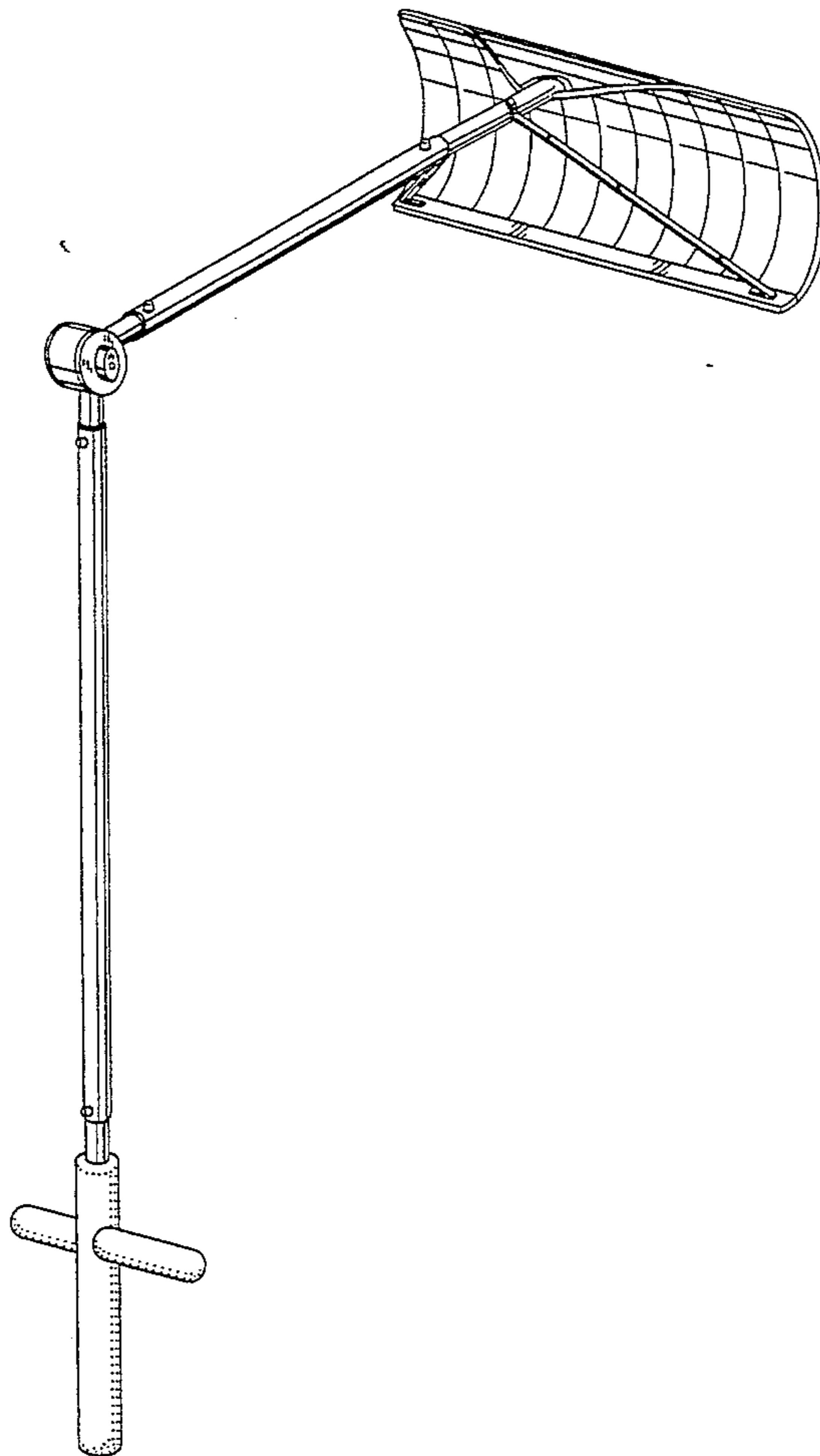
FIG. 1 is a top, rear, right side perspective view of a tool handle with interchangeable shovel blade showing my new design;

FIG. 2 is an exploded perspective view thereof;

FIG. 3 is a right side, elevational view thereof, showing my new design, with the left side constituting a mirror-image of the right side; and,

FIG. 4 is a rear elevational view thereof.

The claimed design is shown detached in FIG. 2 for clarity of illustration. The front view of the handle portion of the claimed design is a mirror image of the rear view and the front view of the shovel blade is unornamented.



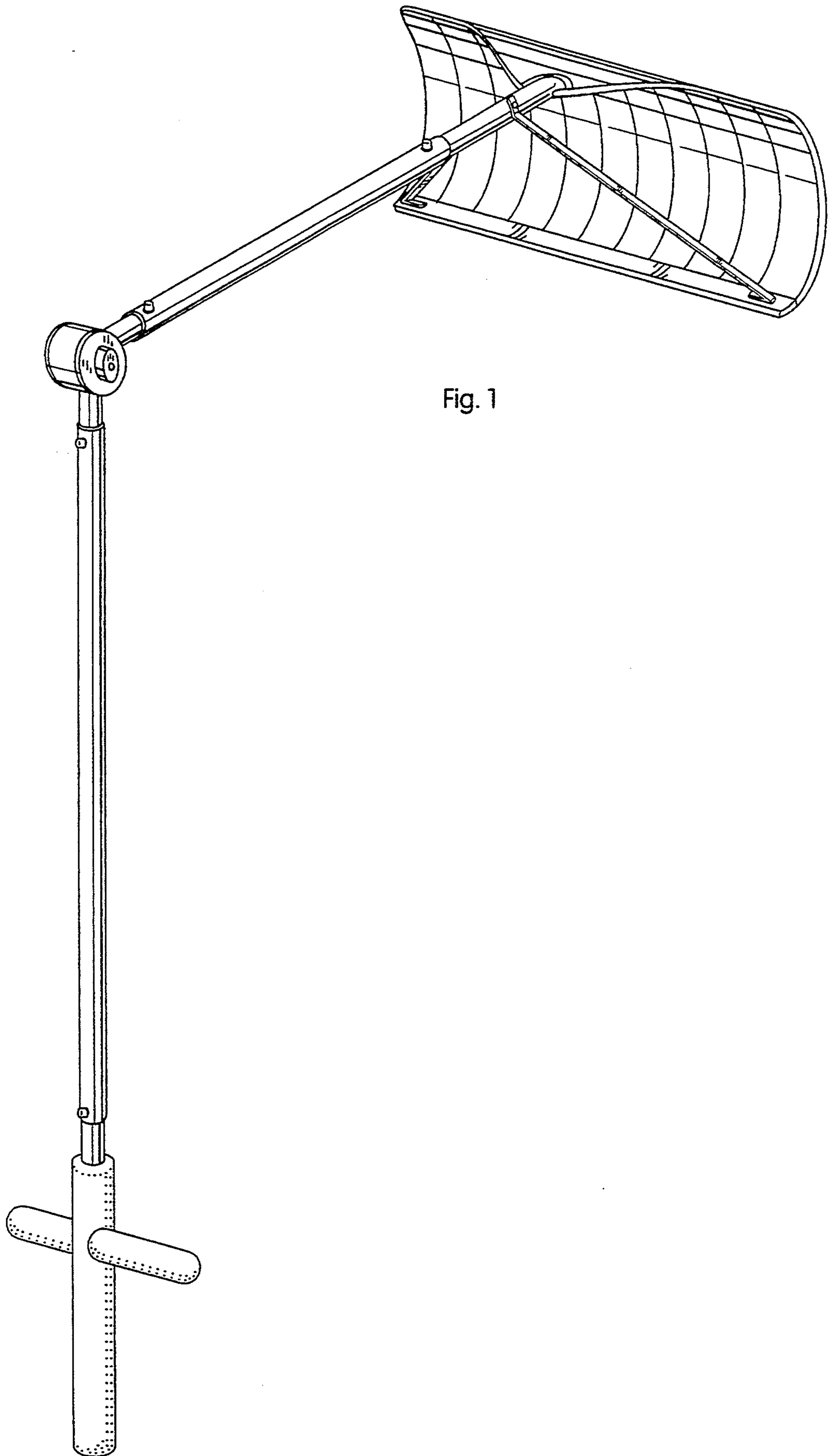
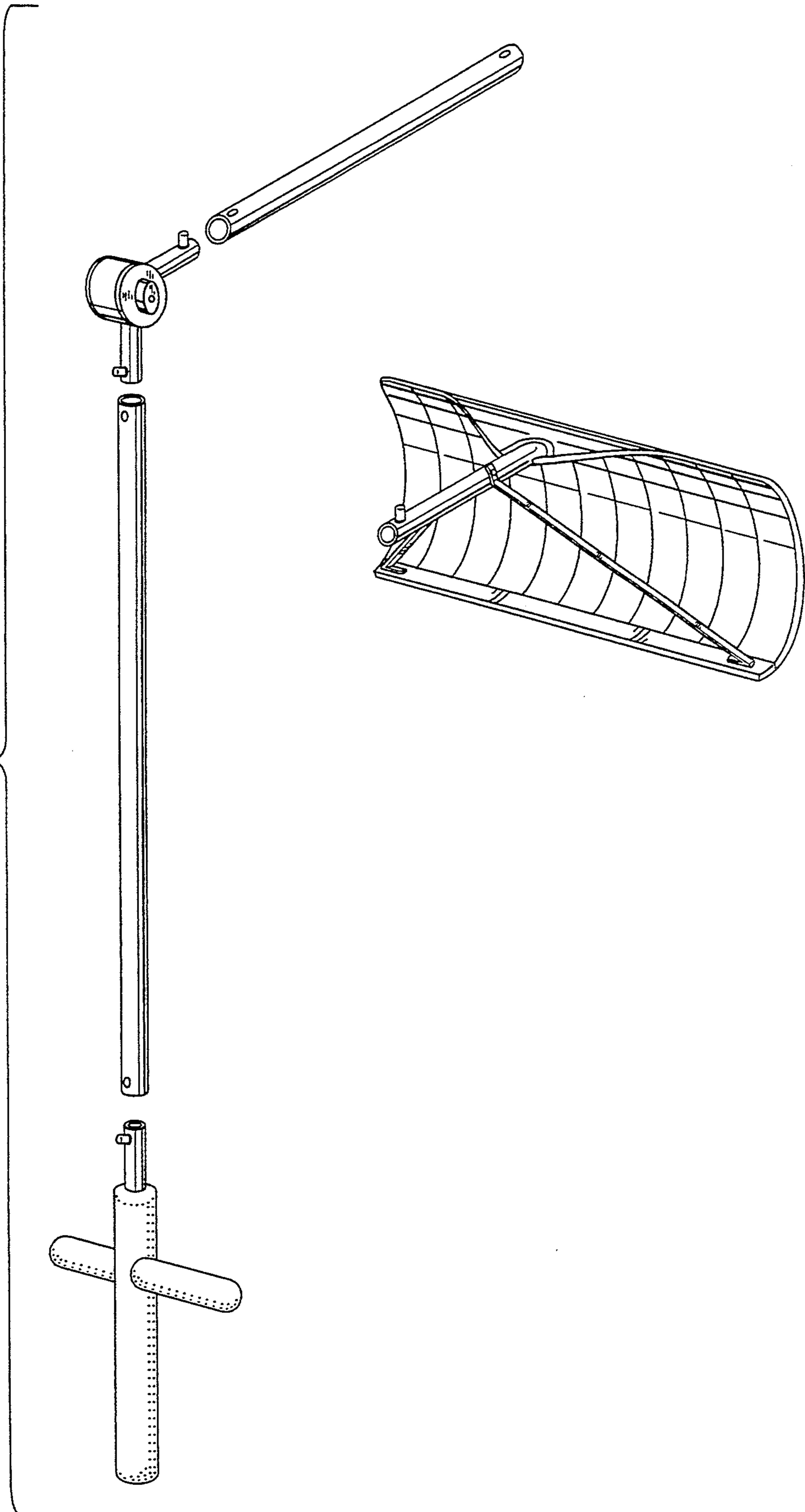


Fig. 1

Fig. 2



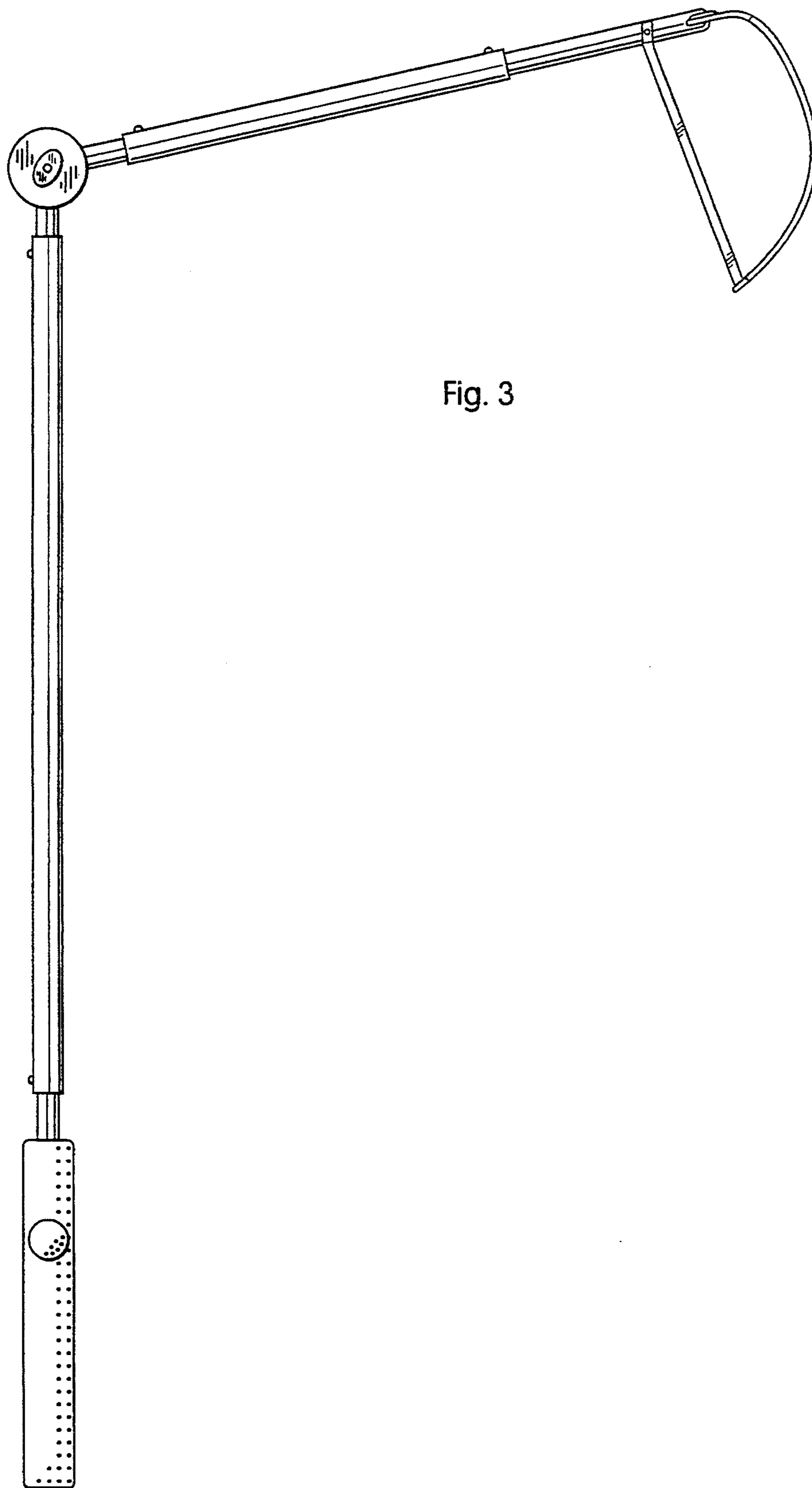


Fig. 3

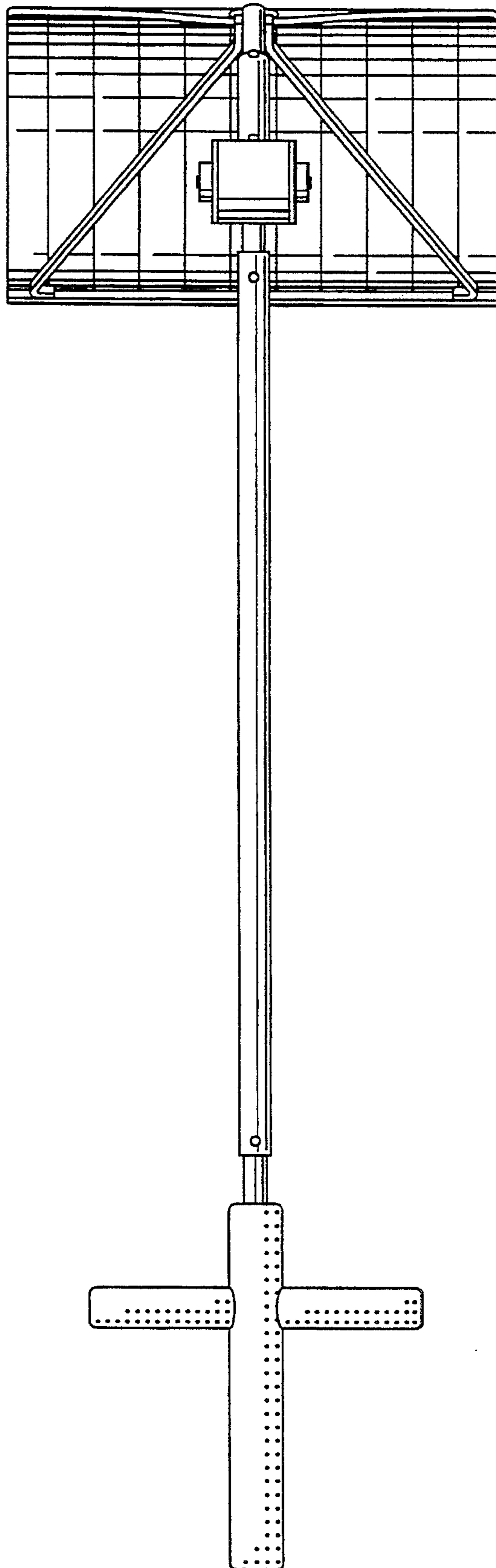


Fig. 4