



US00D360336S

United States Patent [19]

[11] Patent Number: **Des. 360,336**

Bitel, Jr.

[45] Date of Patent: **** Jul. 18, 1995**

- [54] **LID FOR FOOD TRAY**
- [75] Inventor: **Vincent J. Bitel, Jr.**, Middletown, Conn.
- [73] Assignee: **Design Specialties, Inc.**, Wallingford, Conn.
- [**] Term: **14 Years**
- [21] Appl. No.: **15,166**
- [22] Filed: **Nov. 10, 1993**
- [52] U.S. Cl. **D7/392.1; D7/391; D7/443; D9/435**
- [58] Field of Search **D7/391, 392.1, 502; D9/435, 432, 434, 425, 443, 435; 312/231, 237, 270.1; 211/126; 220/306; 206/503.4, 508, 518; D6/406**

- D. 311,688 10/1990 Hodge D9/435
- D. 320,742 10/1991 Phan D9/425 X
- D. 325,847 5/1992 Wolff D7/391
- D. 330,660 11/1992 Newton et al. D7/392.1
- D. 349,646 8/1994 Dickinson D9/425 X
- 2,585,180 2/1952 Smith D7/392.1 X
- 2,943,758 7/1960 Harris D9/432 X
- 3,383,009 5/1968 Weikert D9/425 X
- 4,989,747 2/1991 Demurger D9/435 X

Primary Examiner—Alan P. Douglas
Assistant Examiner—M. N. Pandozzi

[57] CLAIM

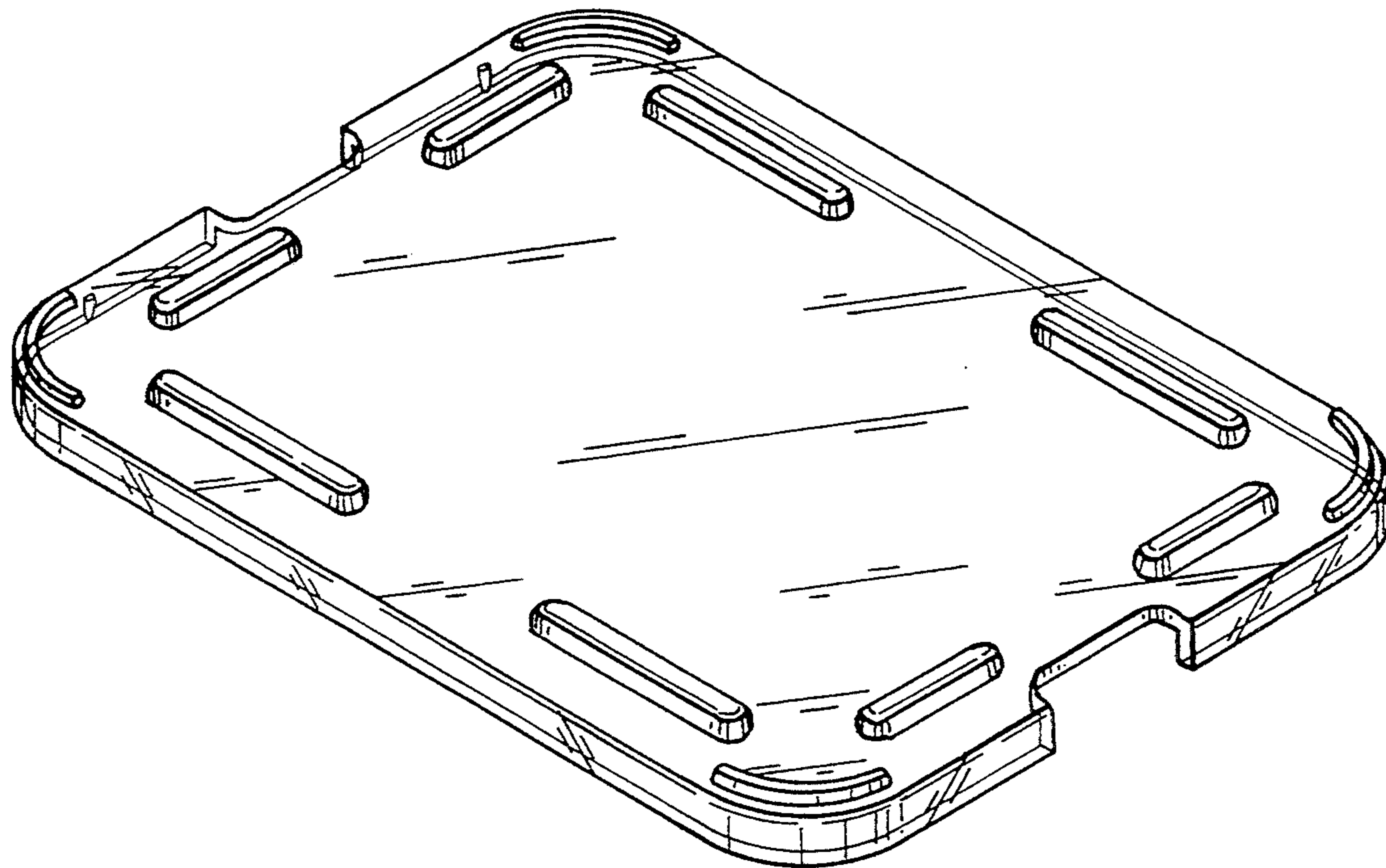
The ornamental design for a lid for food tray, as shown and described.

DESCRIPTION

FIG. 1 is a perspective view of a lid for a food tray showing my new design;
 FIG. 2 is an end elevational view thereof, the opposite end view being identical;
 FIG. 3 is a side elevational view thereof, the opposite side being an identical view thereof;
 FIG. 4 is a fragmentary sectional view thereof drawn along the line 4—4 of FIG. 5 to an enlarged scale;
 FIG. 5 is a top plan view thereof; and,
 FIG. 6 is a bottom view thereof.

[56] **References Cited**
U.S. PATENT DOCUMENTS

- D. 104,699 5/1937 Pilliod D9/435
- D. 170,104 7/1953 Zabel et al. D9/443
- D. 250,505 12/1978 Seager D7/392.1
- D. 283,487 4/1986 Holewinski et al. D9/425 X
- D. 287,803 1/1987 Daenen et al. D7/392.1
- D. 290,344 6/1987 Toms D9/432 X



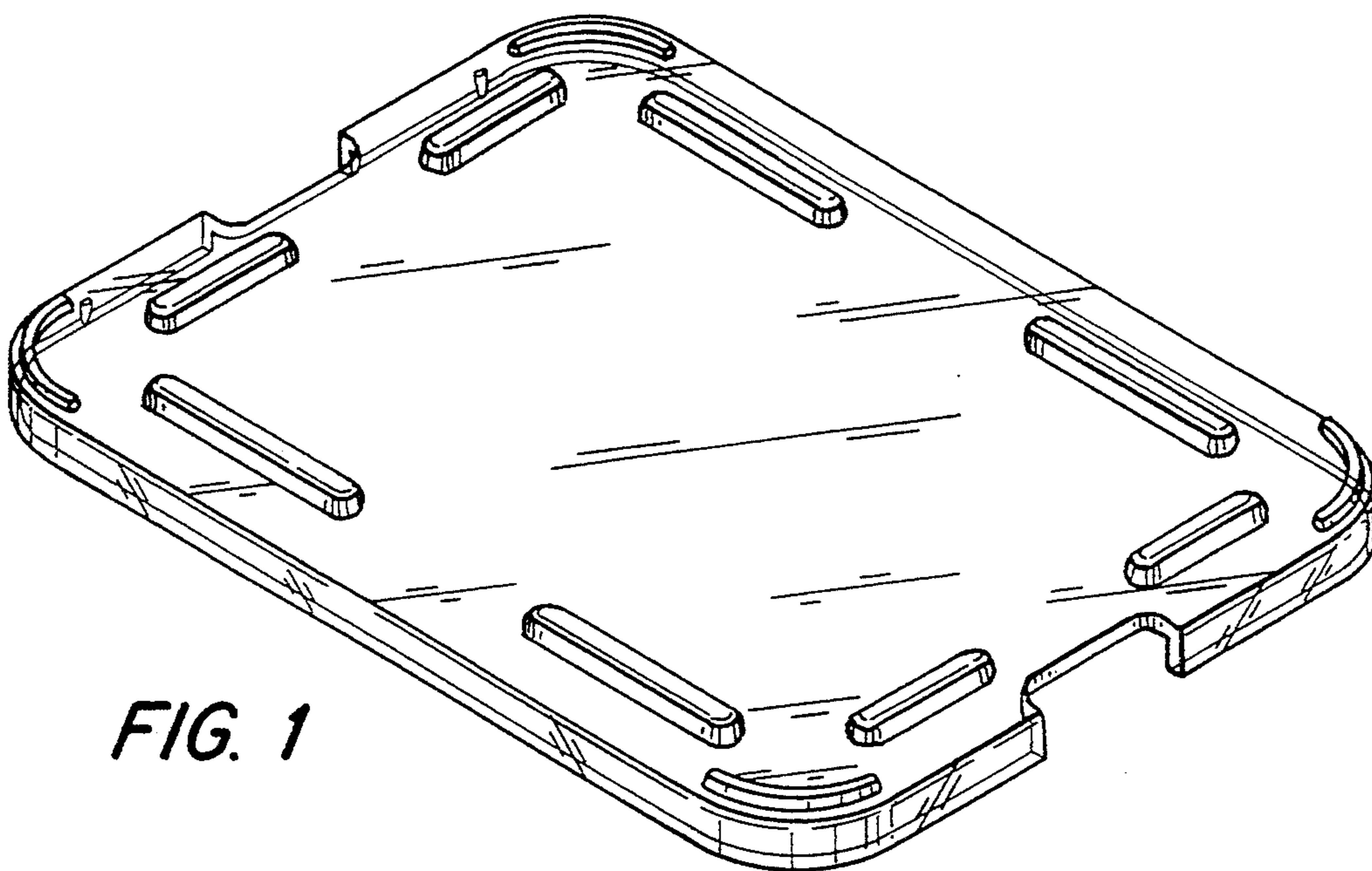


FIG. 1



FIG. 2

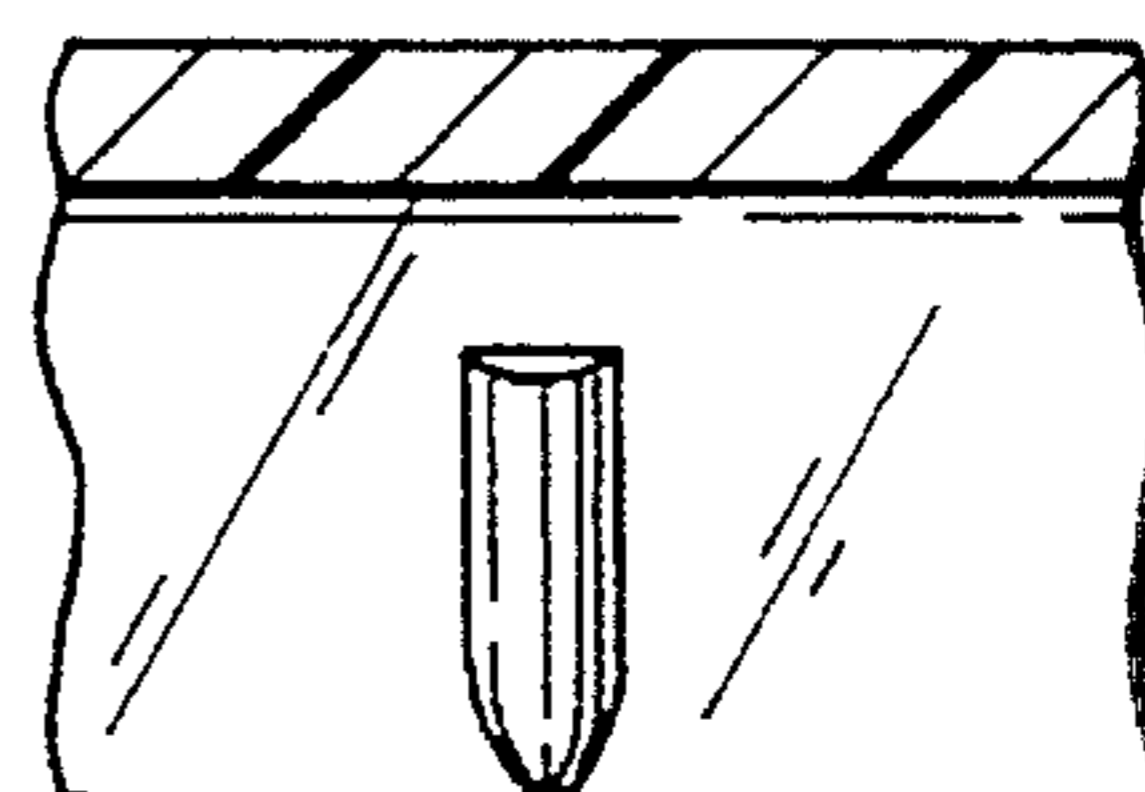


FIG. 4

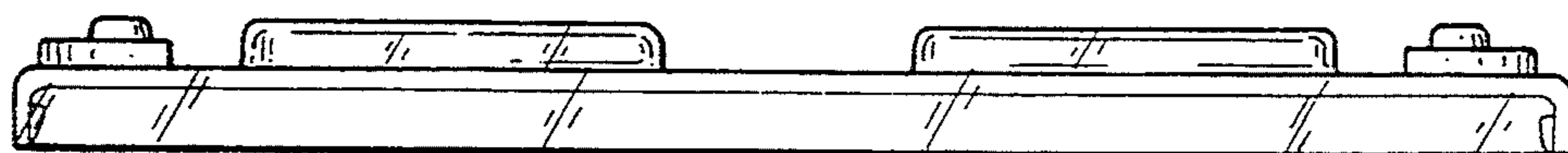


FIG. 3

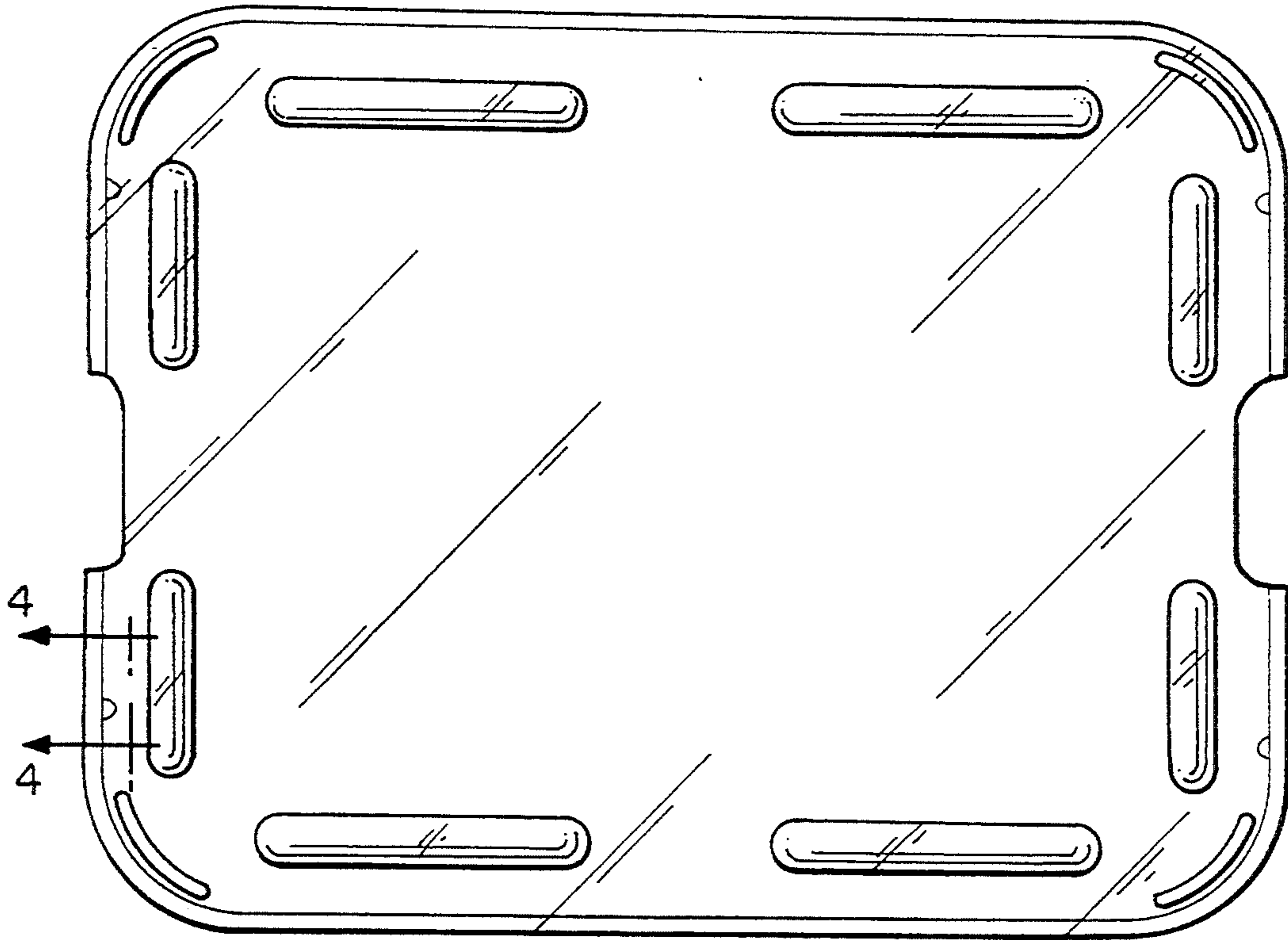


FIG. 5

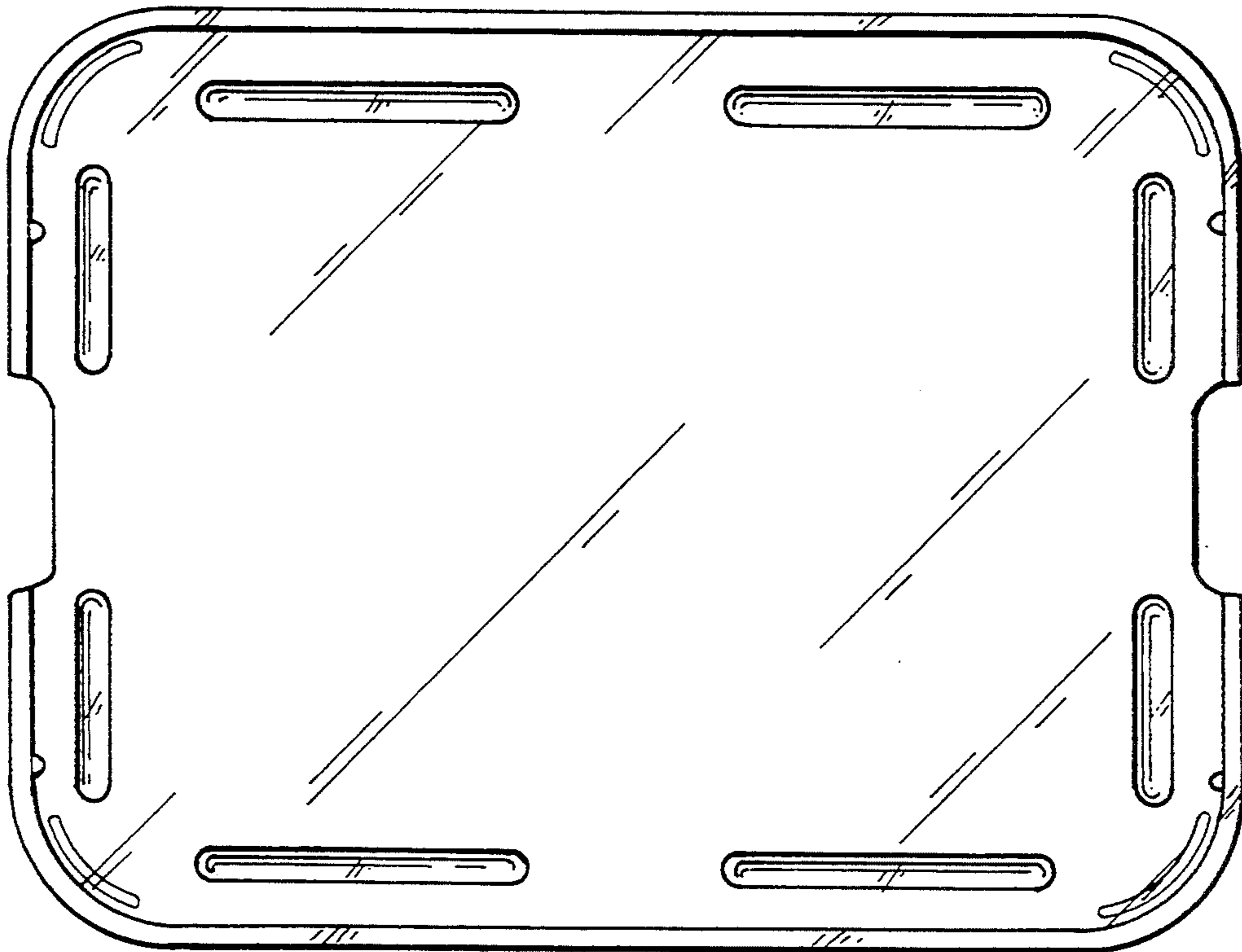


FIG. 6