



US00D360333S

# United States Patent [19]

Wai

[11] Patent Number: **Des. 360,333**

[45] Date of Patent: **\*\* Jul. 18, 1995**

[54] **COFFEE MAKER**

[75] Inventor: **Choi L. Wai, Hong Kong, Hong Kong**

[73] Assignee: **Goodway Electrical Co., Ltd., Tokwana, Hong Kong**

[\*\*] Term: **14 Years**

[21] Appl. No.: **11,530**

[22] Filed: **Aug. 5, 1993**

5,081,915 1/1992 Beumer ..... 99/306

### OTHER PUBLICATIONS

Coffee Machine (top middle) Schuner Wohnen Dec. 1979 p. 198 SW.  
 "Quick Drip" Coffeemaker, Hong Kong, Household Oct. 1984 p. 32.  
 Regal Coffeemaker, Housewares Apr. 1, 1987 p. 9.  
 U.K. Design Registration No. 1049687\*\* granted Oct. 31, 1988.  
 U.K. Design Registration No. 1059211\* granted Nov. 20, 1989.  
 U.K. Design Registration No. 2014221 granted Mar. 10, 1992.

[30] **Foreign Application Priority Data**  
 Feb. 26, 1993 [GB] United Kingdom ..... 2029428

[52] U.S. Cl. .... **D7/309; D7/310; D7/311**

[58] Field of Search ..... **D7/300, 305, 308, 309, D7/310, 311, 312; 99/295, 300, 304, 307, 306**

*Primary Examiner*—Alan P. Douglas  
*Assistant Examiner*—M. N. Pandozzi  
*Attorney, Agent, or Firm*—Klarquist Sparkman Campbell Leigh & Whinston

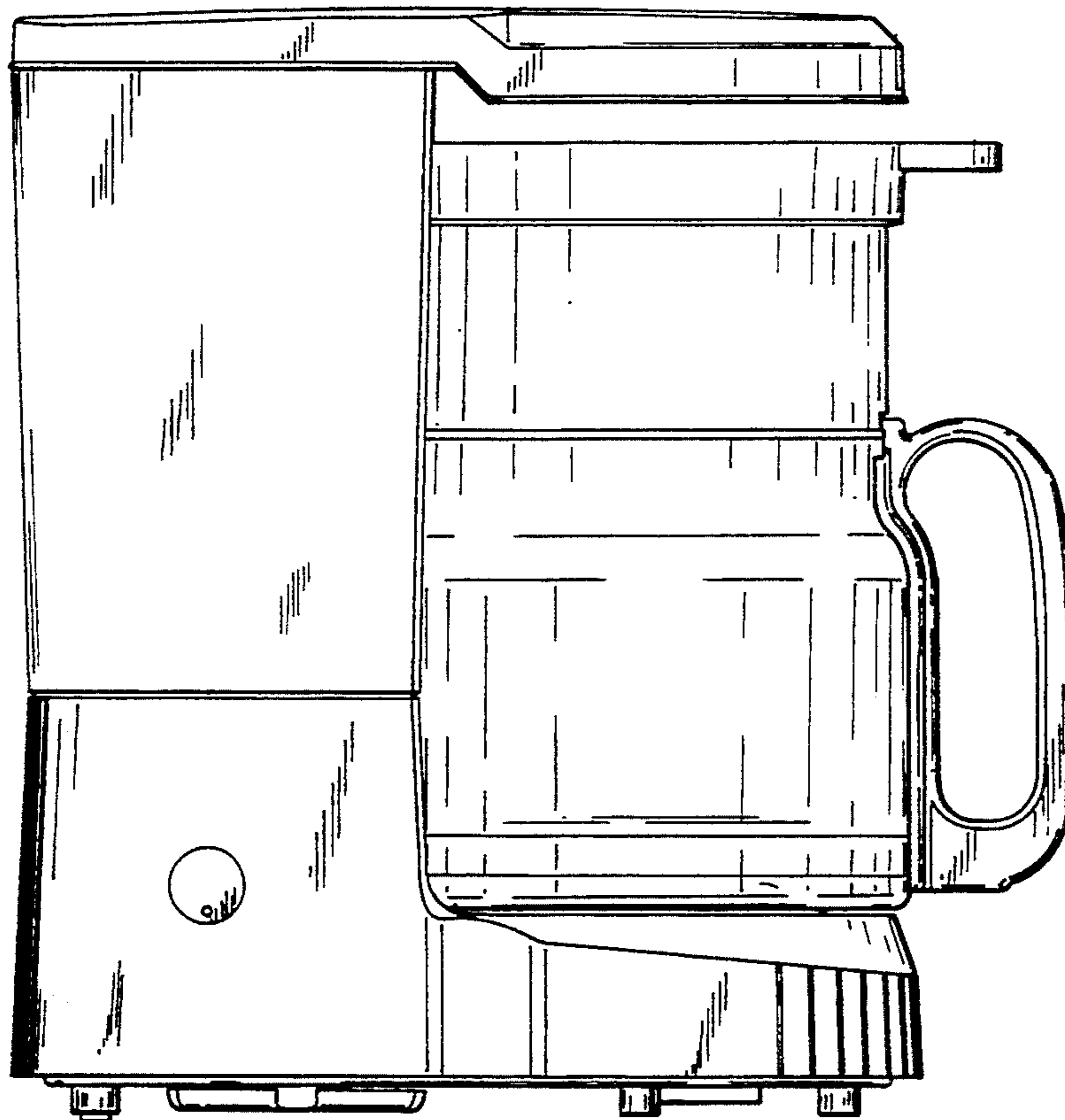
[56] **References Cited**  
**U.S. PATENT DOCUMENTS**

D. 248,720	8/1978	Sato et al. ....	D7/309
D. 283,961	5/1986	Sastre .....	D7/309
D. 290,216	6/1987	Precht .....	D7/309
D. 300,596	9/1989	Eugster .....	D7/309
D. 313,146	12/1990	Precht .....	D7/309
D. 329,160	9/1992	Choi .....	D7/309
D. 346,298	4/1994	Brady et al. ....	D7/310 X
4,998,463	5/1991	Precht et al. ....	99/300

[57] **CLAIM**  
 The ornamental design for a coffee maker, as shown.

### DESCRIPTION

FIG. 1 shows a top plan view;  
 FIG. 2 shows a view from one side;  
 FIG. 3 shows a rear view;  
 FIG. 4 shows a view from the other side;  
 FIG. 5 shows a front view; and,  
 FIG. 6 shows a bottom plan view.



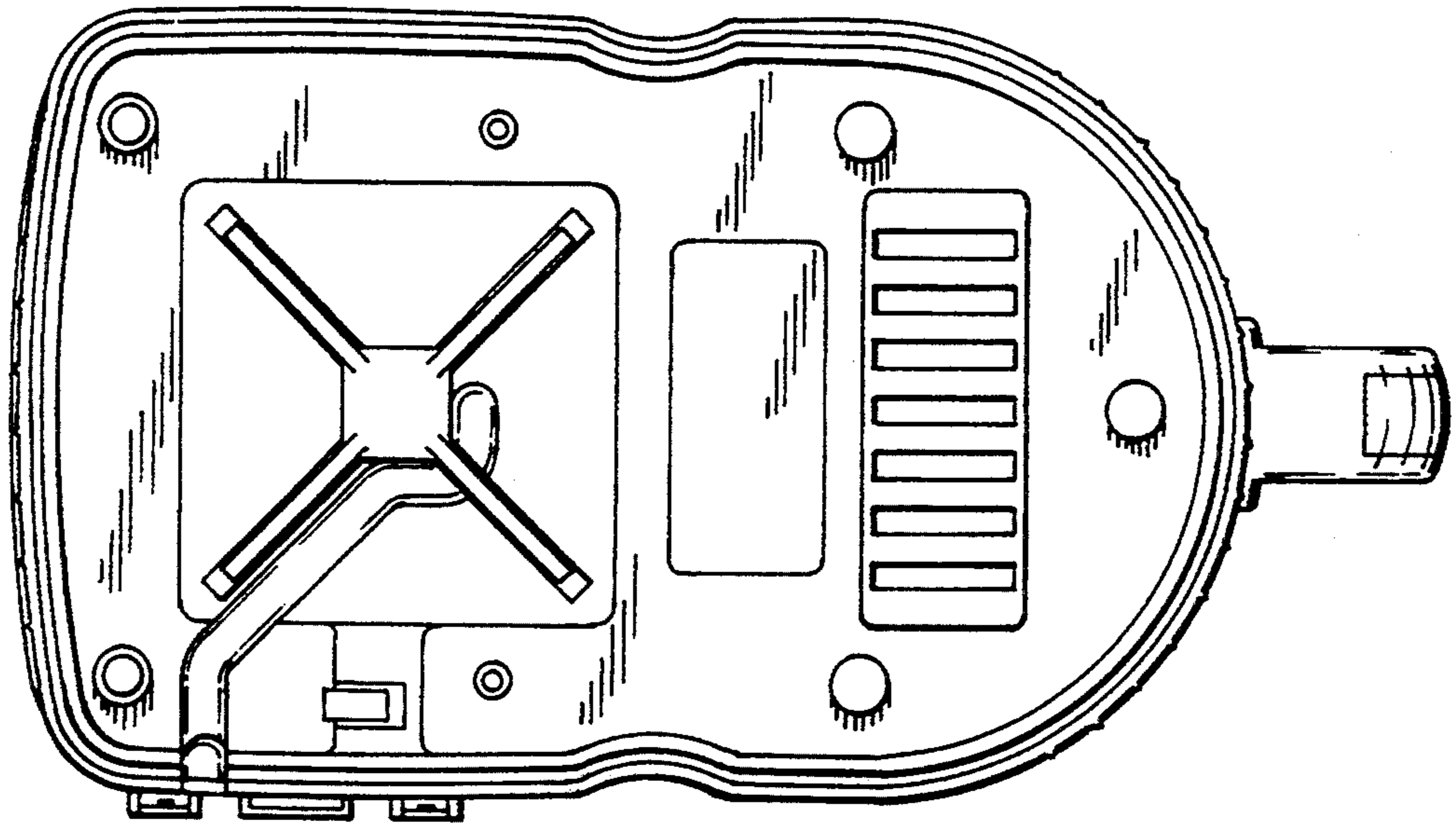


FIG 6

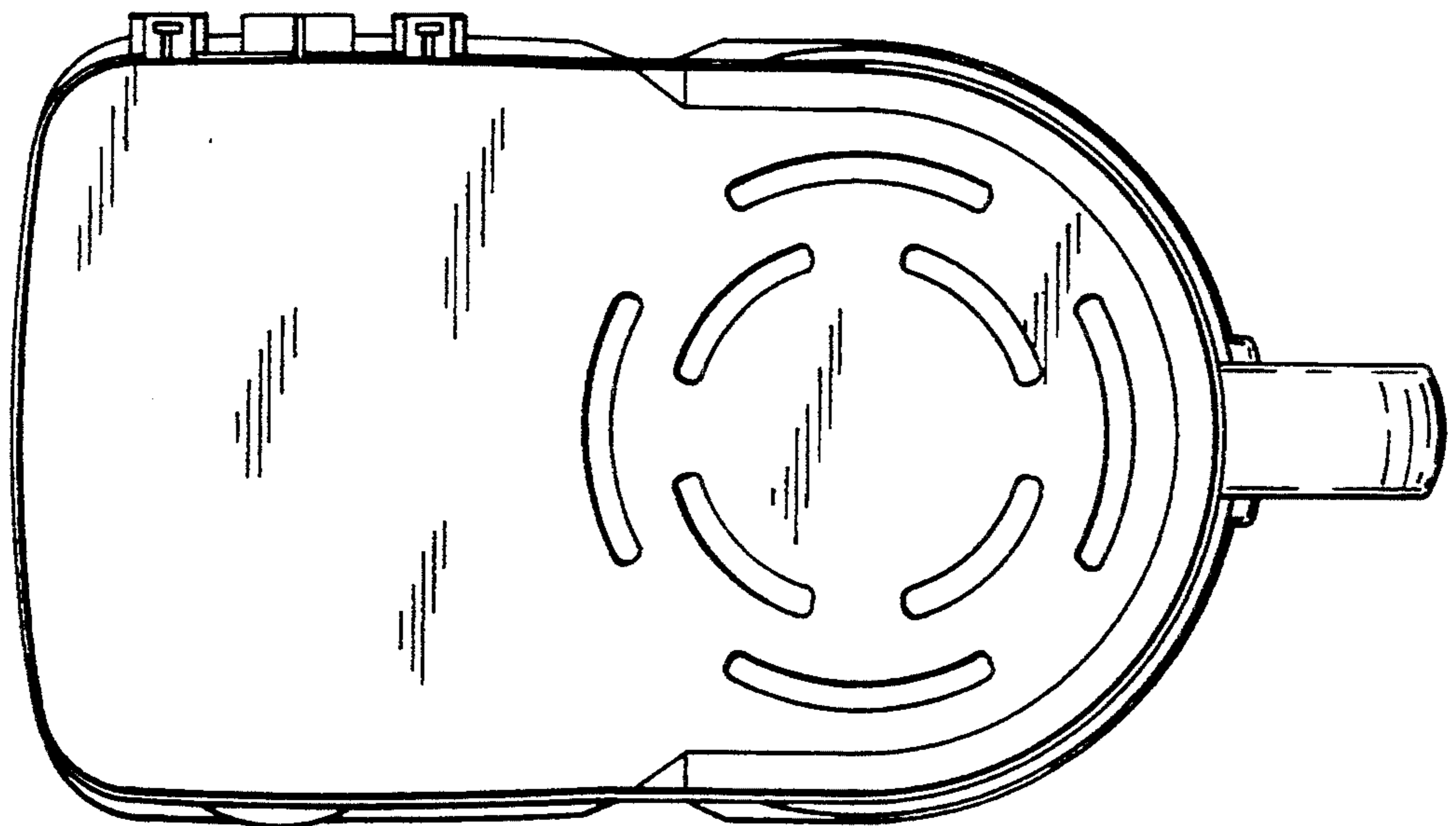


FIG 1

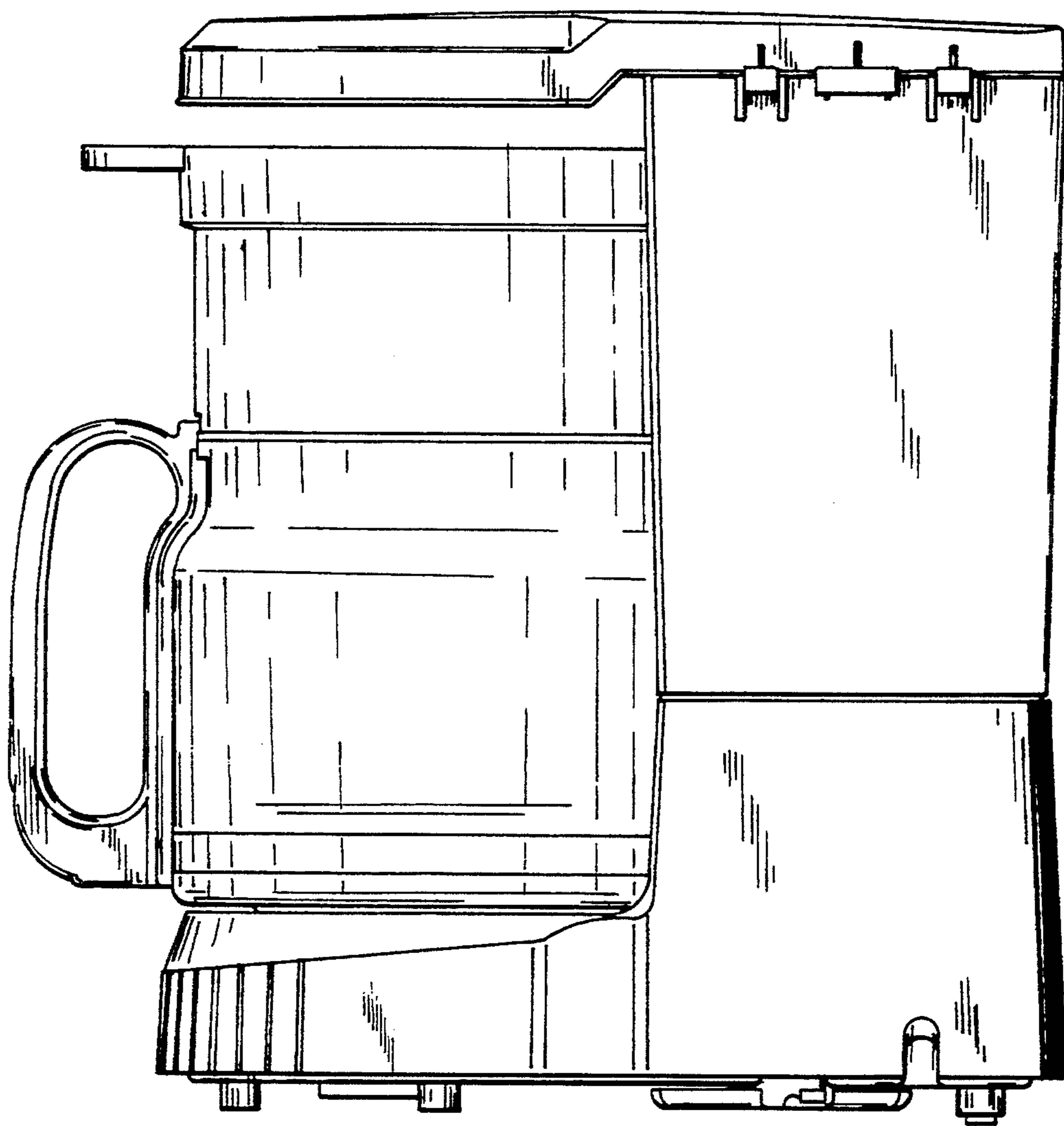


FIG 2

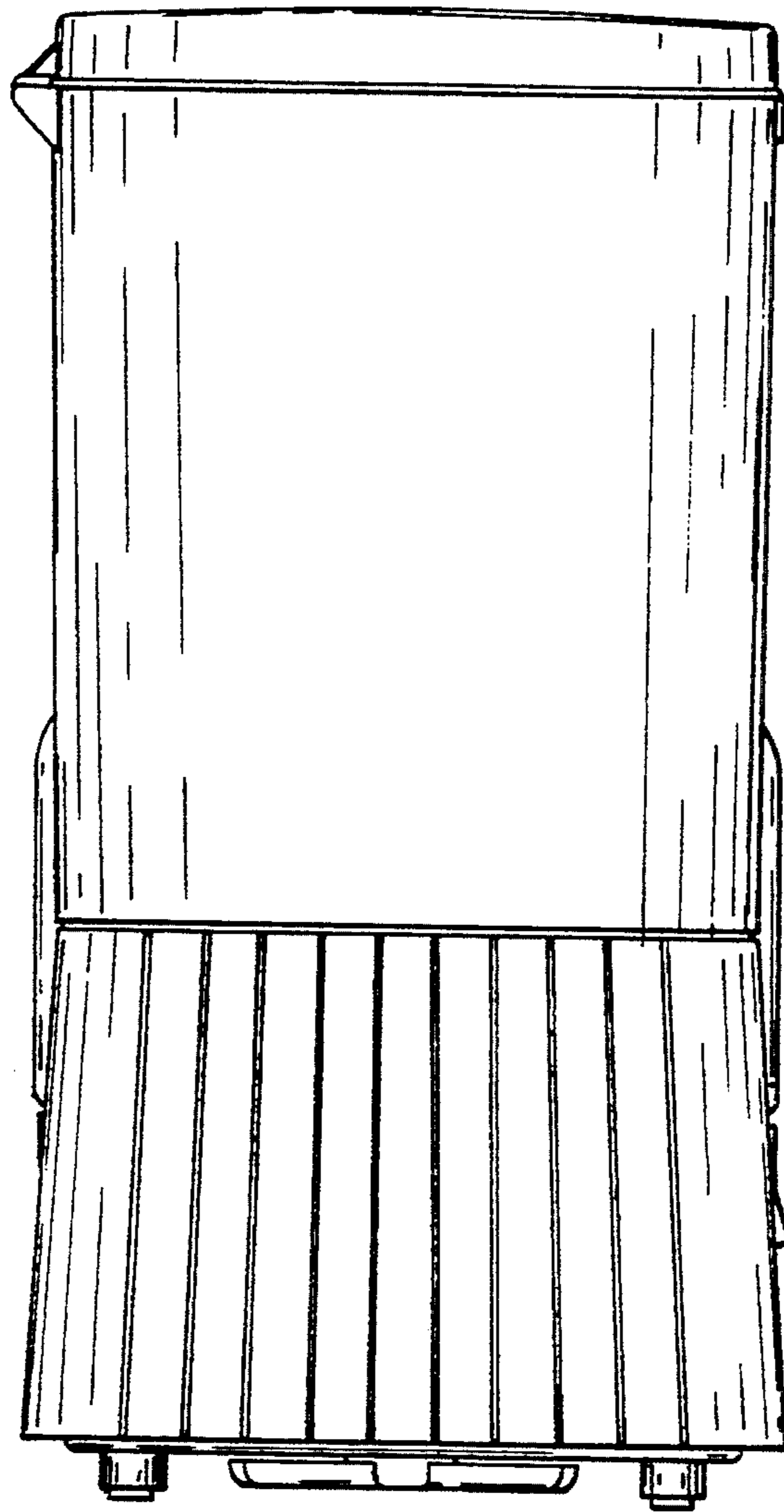


FIG 3

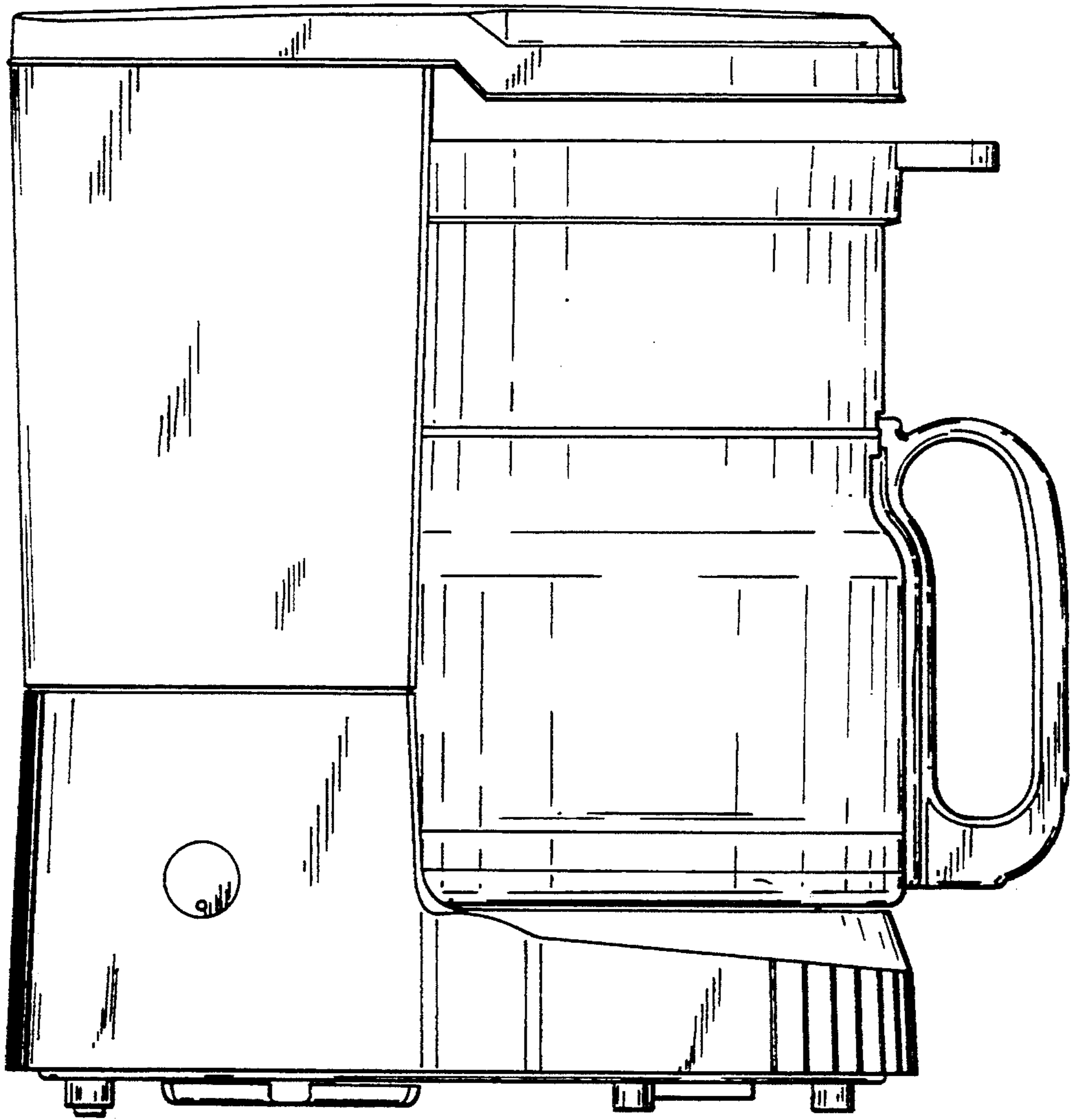


FIG 4



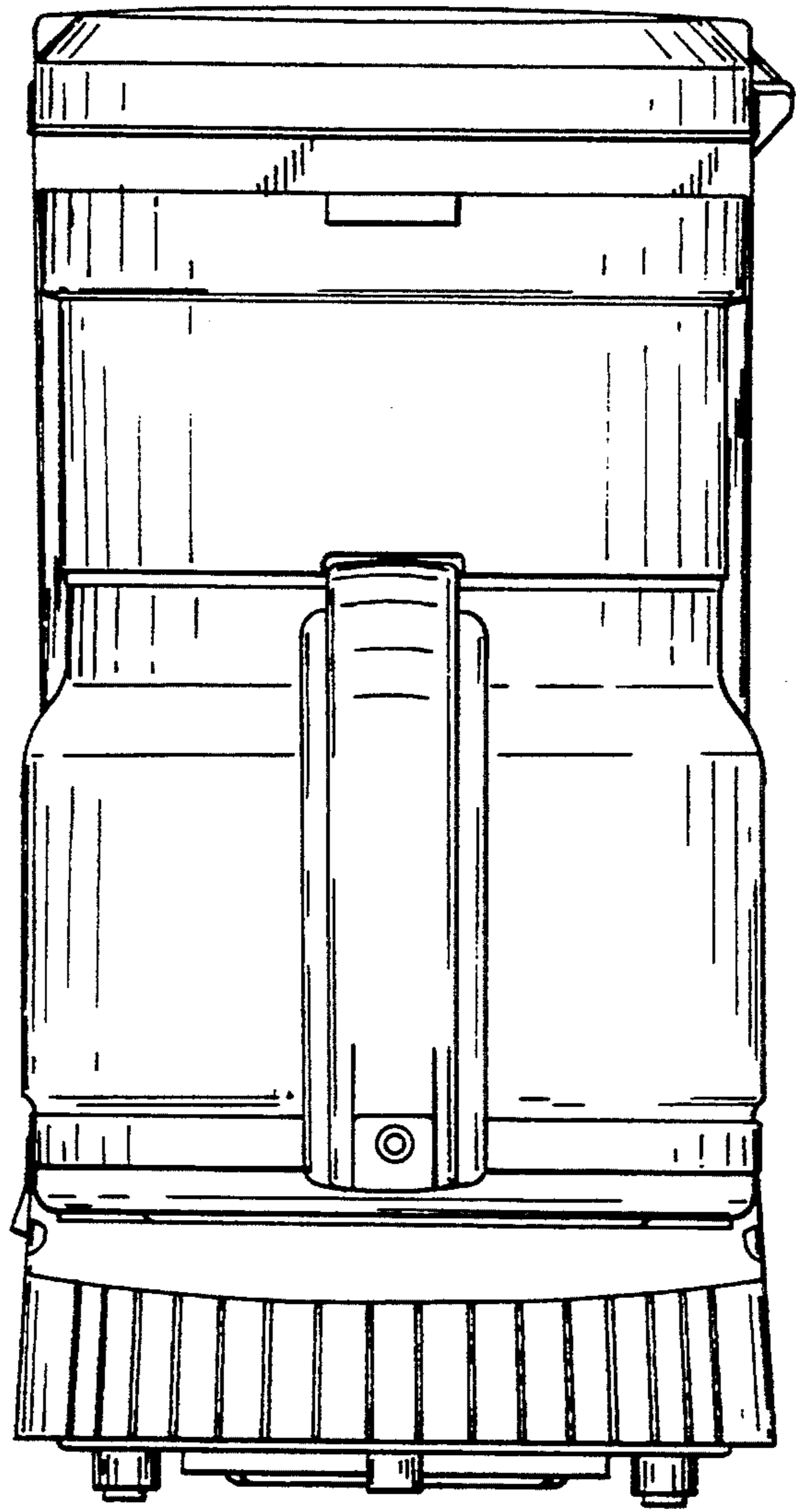


FIG 5