



US00D360331S

United States Patent [19]

[11] Patent Number: **Des. 360,331**

McNeill

[45] Date of Patent: **** Jul. 18, 1995**

[54] **GRINDER BREWER**

[75] Inventor: **Robert C. McNeill**, Jeffersonville, Ind.

[73] Assignee: **Grindmaster Corporation**, Louisville, Ky.

[**] Term: **14 Years**

[21] Appl. No.: **22,050**

[22] Filed: **Apr. 28, 1994**

[52] U.S. Cl. **D7/305; D7/309; D7/311**

[58] Field of Search **D7/300, 305, 309, 310, D7/311, 307, 308; 222/129, 129.1, 173, 129.2**

[56] **References Cited**

U.S. PATENT DOCUMENTS

- D. 298,504 11/1988 Frech D7/308
- D. 300,295 3/1989 Cortese D7/305
- D. 316,794 5/1991 Volgger et al. D7/311 X
- D. 319,943 9/1991 Sexton et al. D7/311 X

- D. 332,199 1/1993 Pomeroy D7/309
- D. 334,863 4/1993 Phillips et al. D7/308
- D. 335,607 5/1993 Newman D7/305
- D. 345,279 3/1994 Sieger D7/309
- 2,927,522 3/1960 Rockwood et al. D7/311 X

Primary Examiner—Alan P. Douglas
Assistant Examiner—M. N. Pandozzi
Attorney, Agent, or Firm—Camoriano & Smith

[57] **CLAIM**

The ornamental design for a grinder brewer, as shown and described.

DESCRIPTION

FIG. 1 is a perspective view of a grinder brewer showing my new design;
FIG. 2 is a front elevation view thereof;
FIG. 3 is a left side elevation view thereof, a mirror image of the right side;
FIG. 4 is a top plan view thereof;
FIG. 5 is a bottom plan view thereof; and,
FIG. 6 is a rear elevation view thereof.

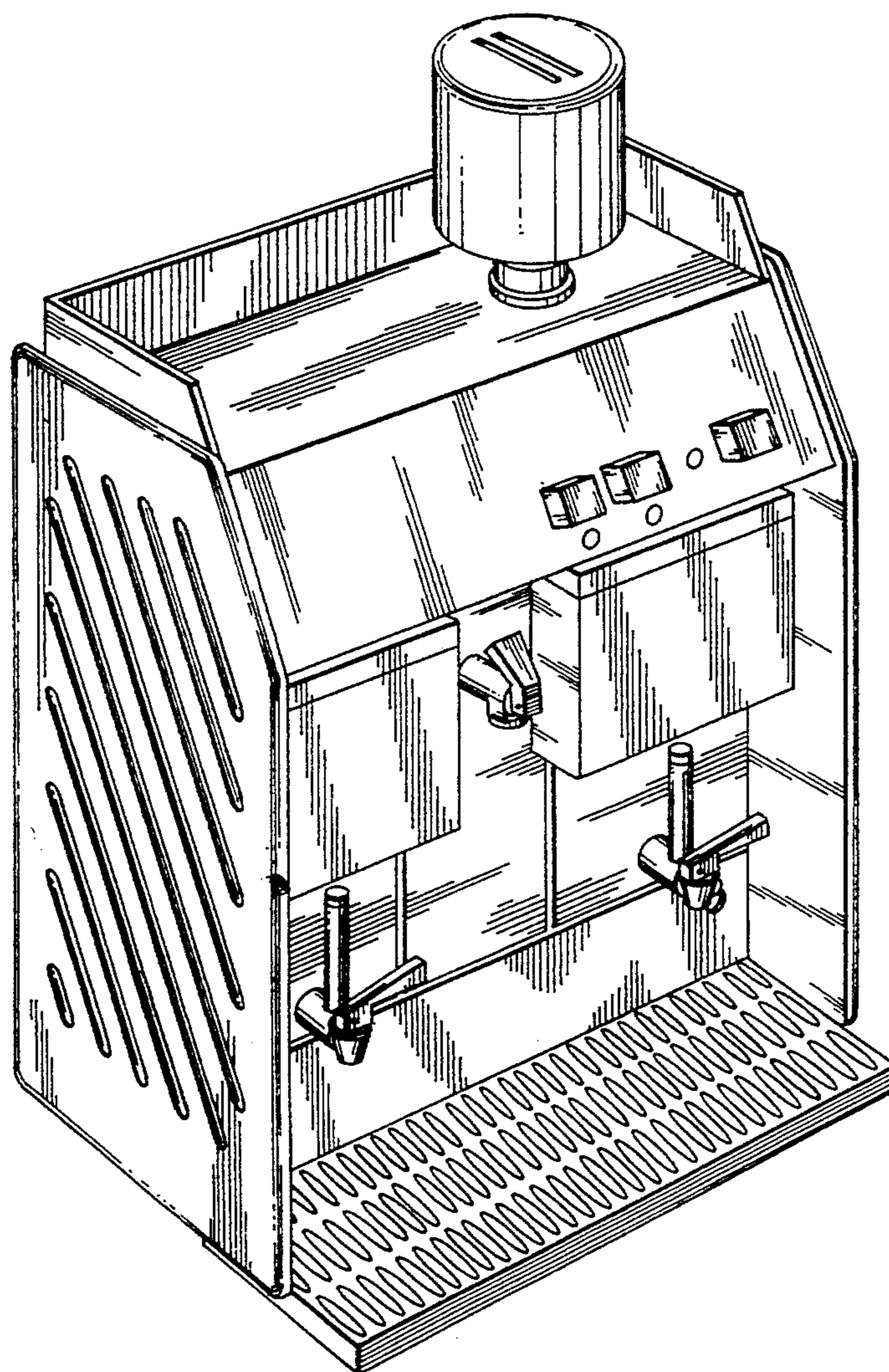


FIG. 1

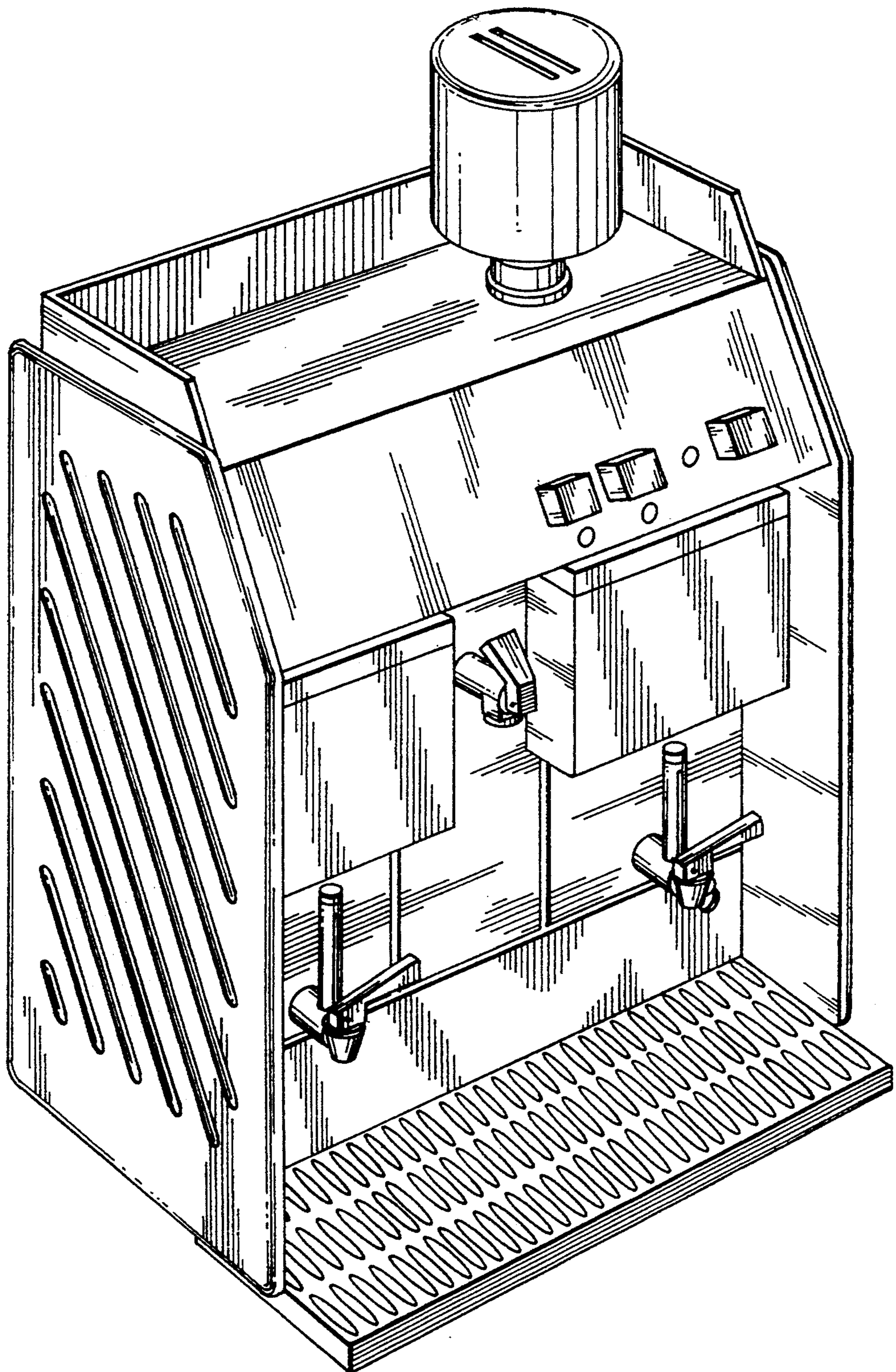


FIG. 2

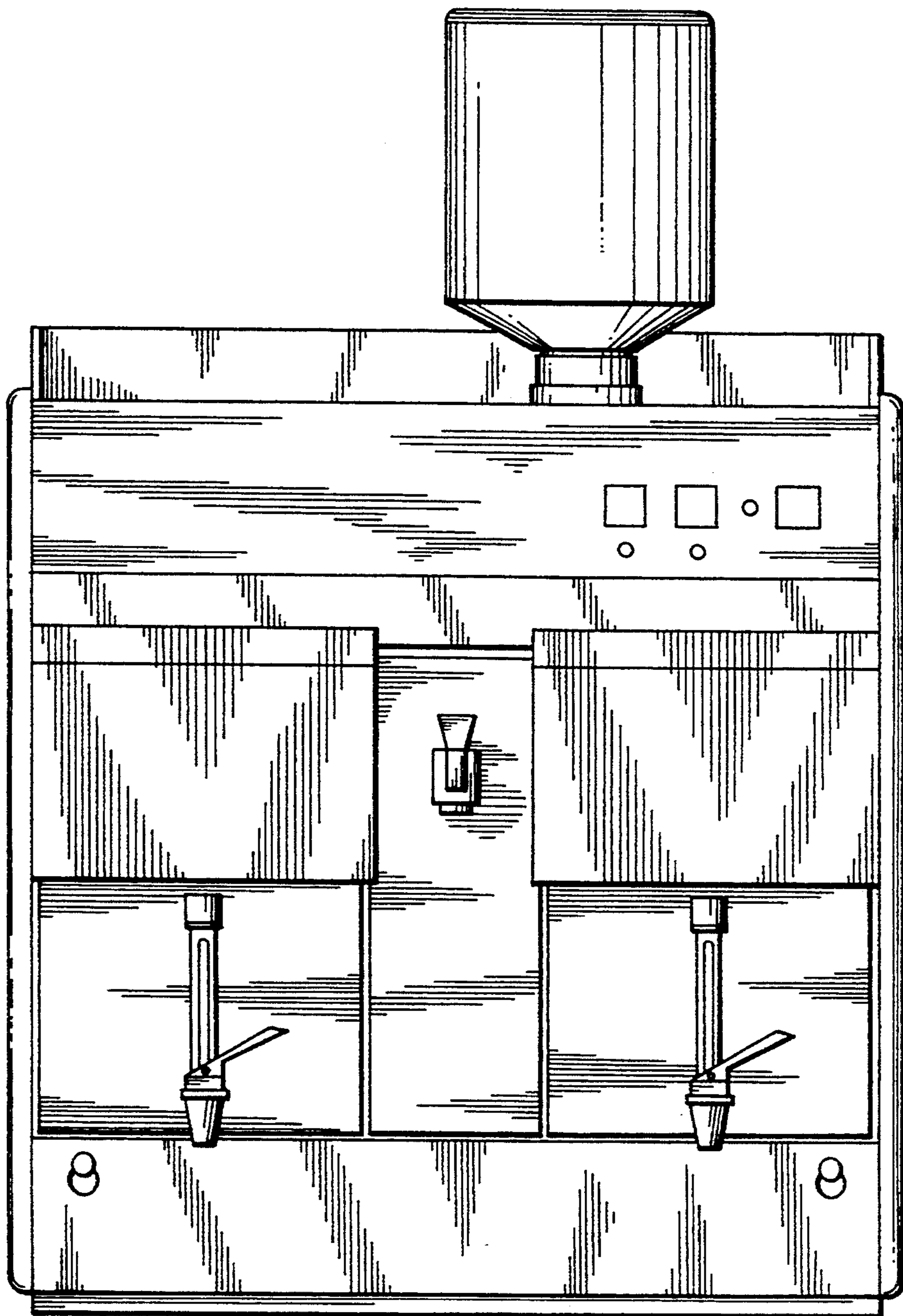


FIG. 3

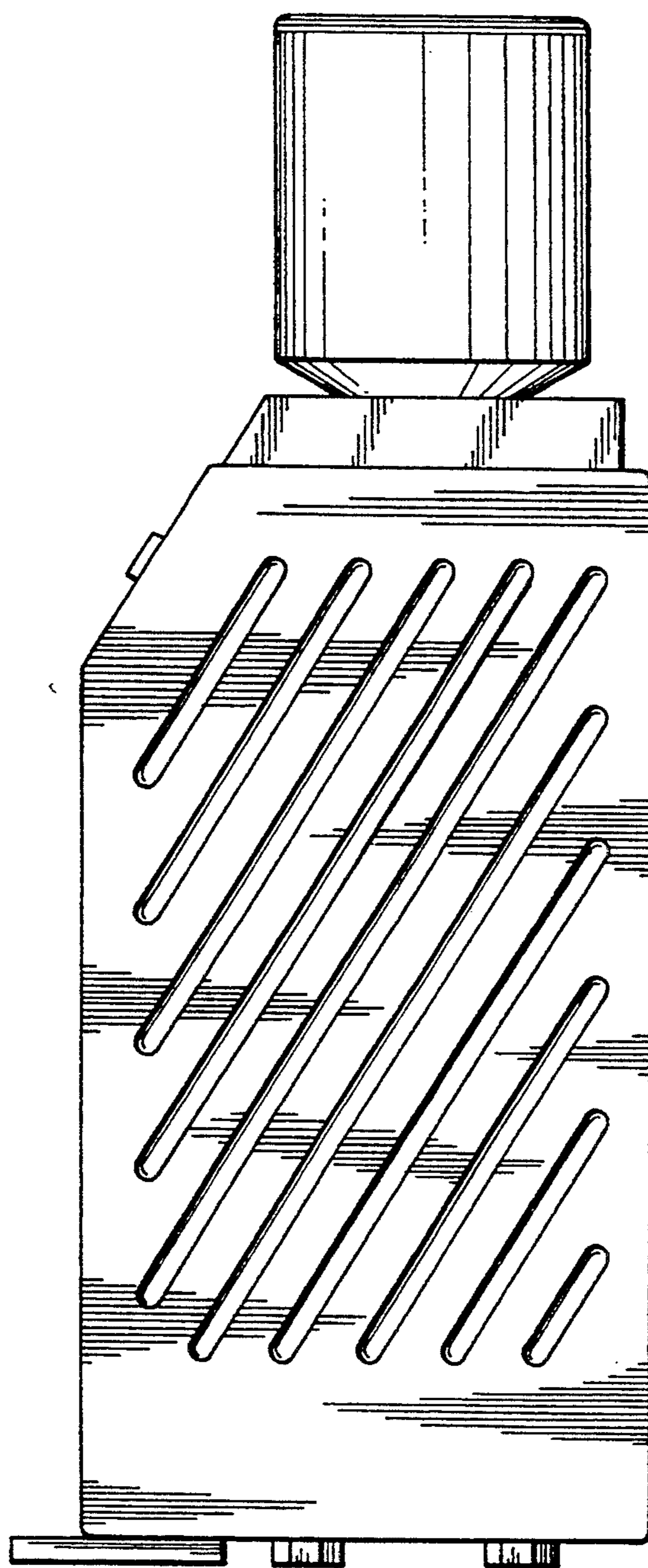


FIG. 4

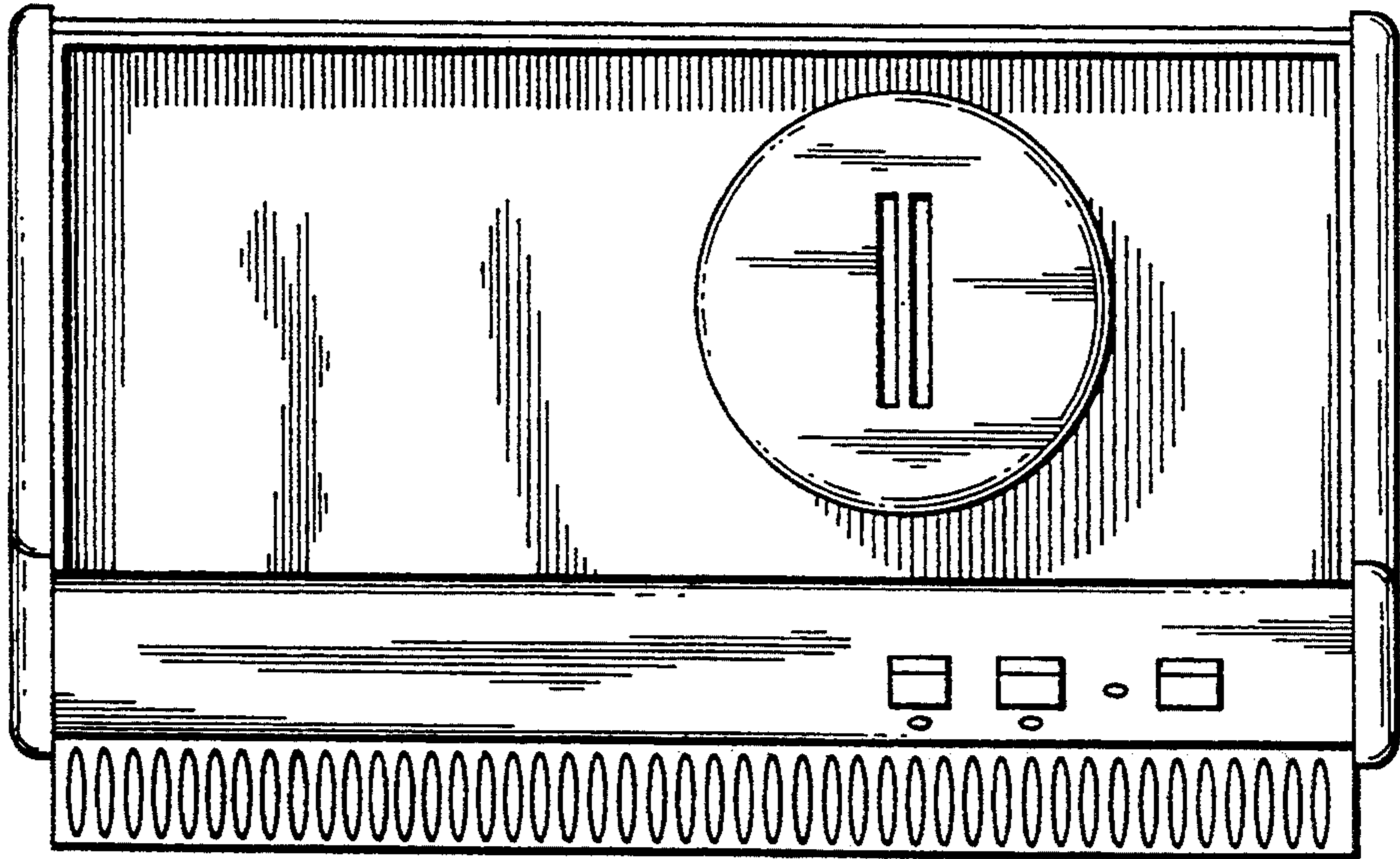


FIG. 5

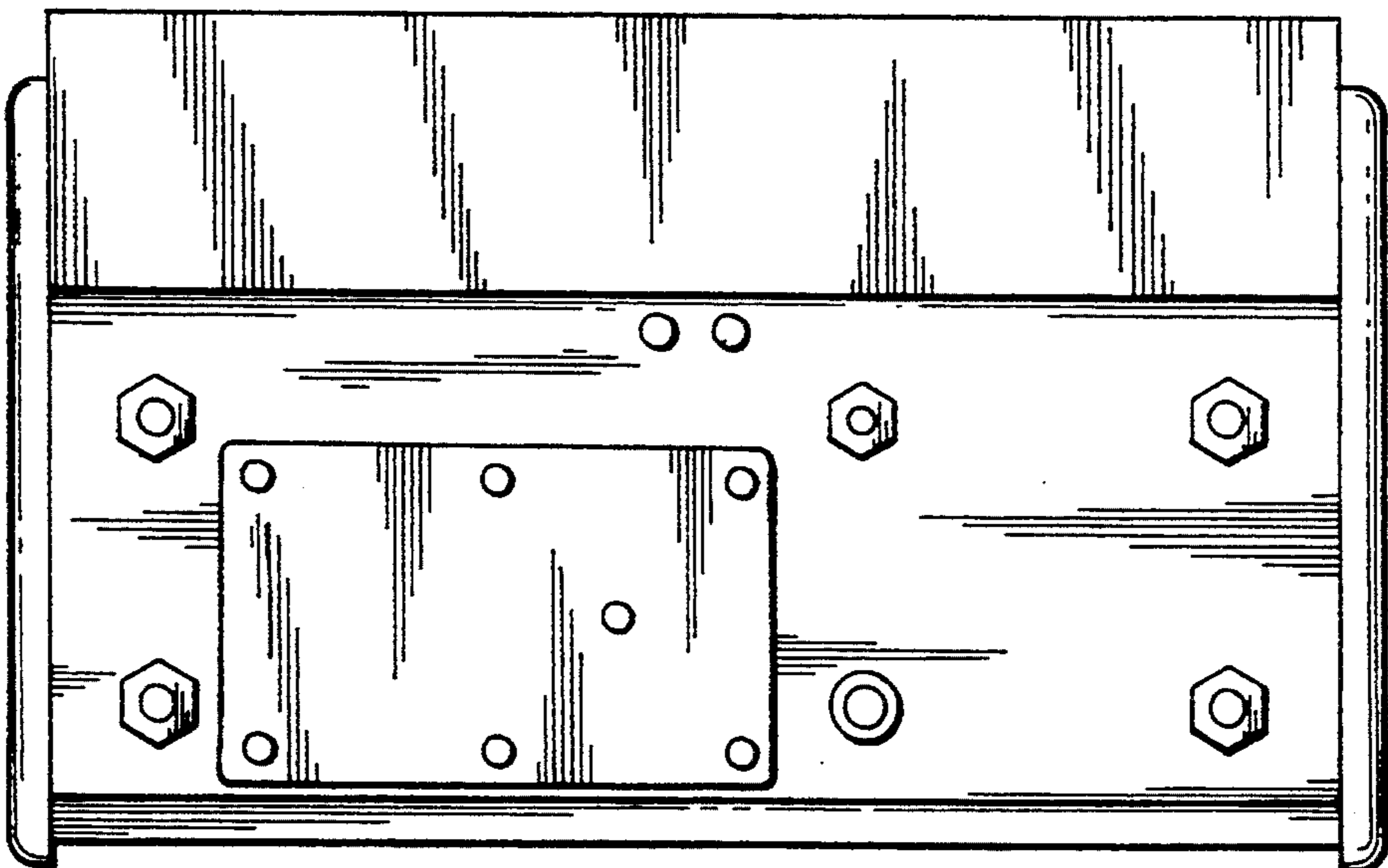


FIG. 6

