



US00D360326S

United States Patent [19] Fairbanks

[11] Patent Number: **Des. 360,326**
[45] Date of Patent: **** Jul. 18, 1995**

[54] **TOOTHPASTE TUBE SQUEEZER**
[76] Inventor: **Roslyn H. Fairbanks, 35 Winthrop La., Holden, Mass. 01520**
[**] Term: **14 Years**
[21] Appl. No.: **17,747**
[22] Filed: **Jan. 21, 1994**
[52] U.S. Cl. **D6/541**
[58] Field of Search **D6/541; 206/277; 222/95-96, 98-99, 103; D32/61**

3,759,421 9/1973 Hausmann .
4,664,293 5/1987 Sheppard .
5,014,879 5/1991 Hill .
5,058,771 10/1991 Curtis .
5,071,036 12/1991 Kelly 222/103
5,082,144 1/1992 Sundstrom .

Primary Examiner—Brian N. Vinson

[57] CLAIM

The ornamental design for the toothpaste tube squeezer, as shown and described.

DESCRIPTION

FIG. 1 is a front elevational view of the toothpaste tube squeezer showing my new design;
FIG. 2 is a rear elevational view thereof;
FIG. 3 is a left side elevational view thereof;
FIG. 4 is a right side elevational view thereof;
FIG. 5 is a top plan view thereof; and,
FIG. 6 is a bottom plan view thereof.

[56] **References Cited**
U.S. PATENT DOCUMENTS
D. 88,288 11/1932 Gunnison D6/541
D. 248,135 6/1978 Torongo, Jr. D6/541
D. 320,520 10/1991 Wolf et al. D6/541
D. 348,370 7/1994 Yarmunilert D6/541
D. 351,961 11/1994 Bergamo D6/541

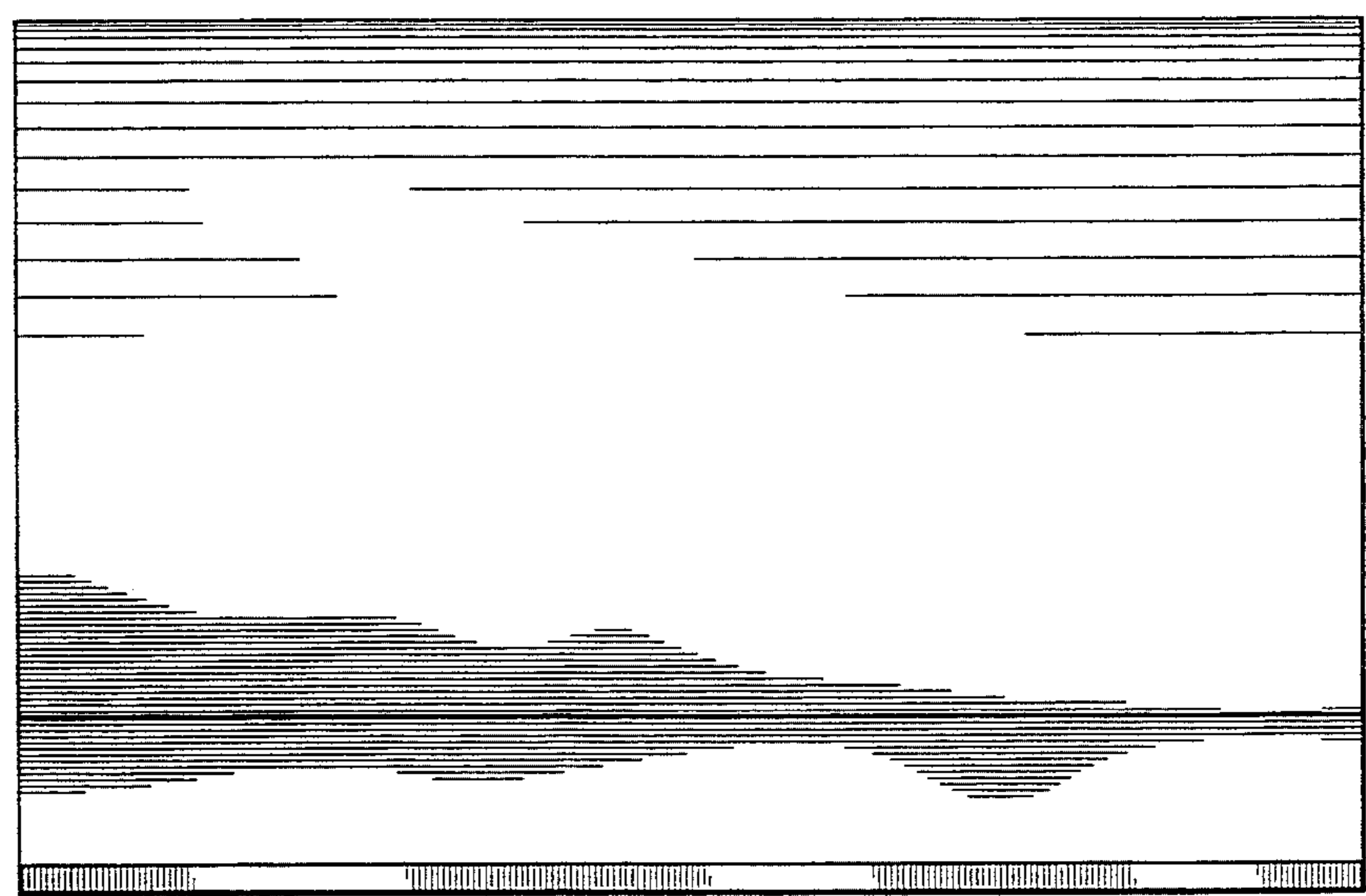
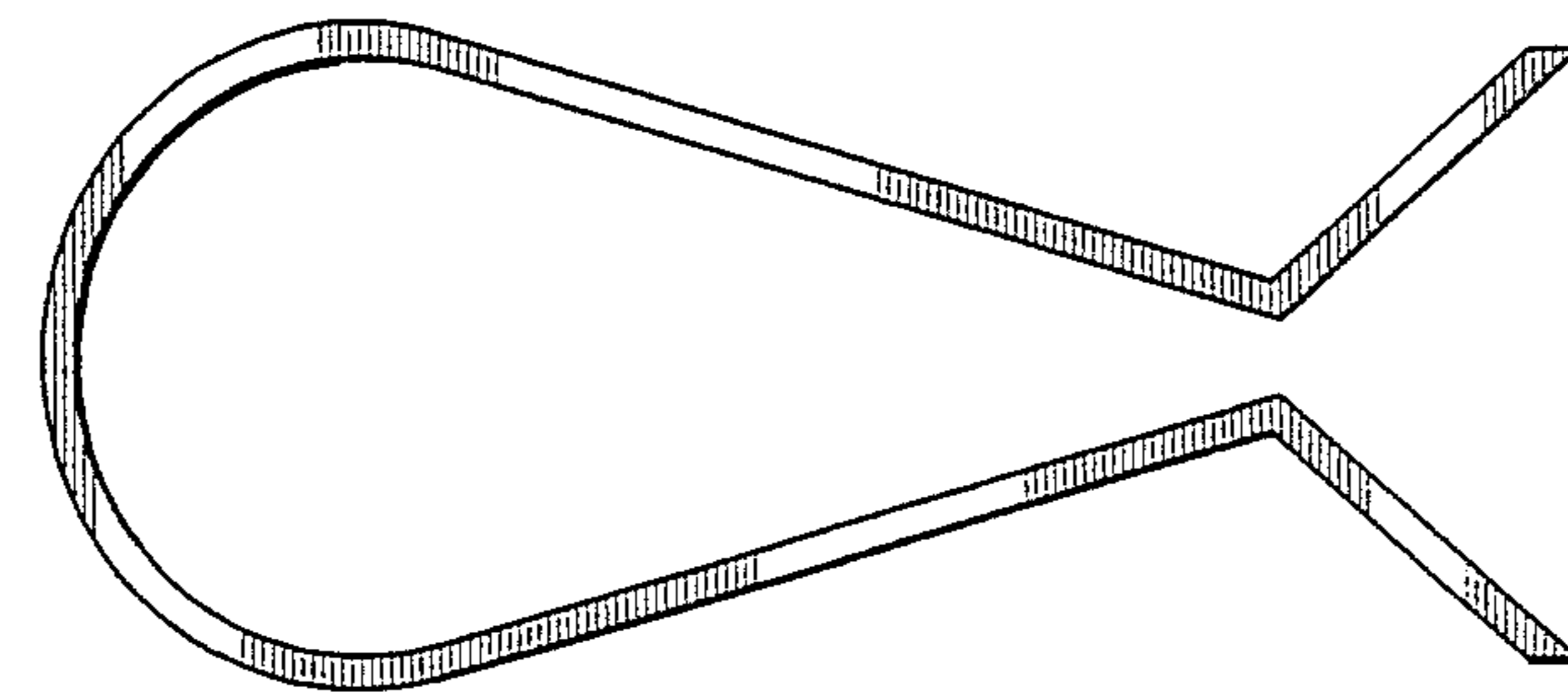
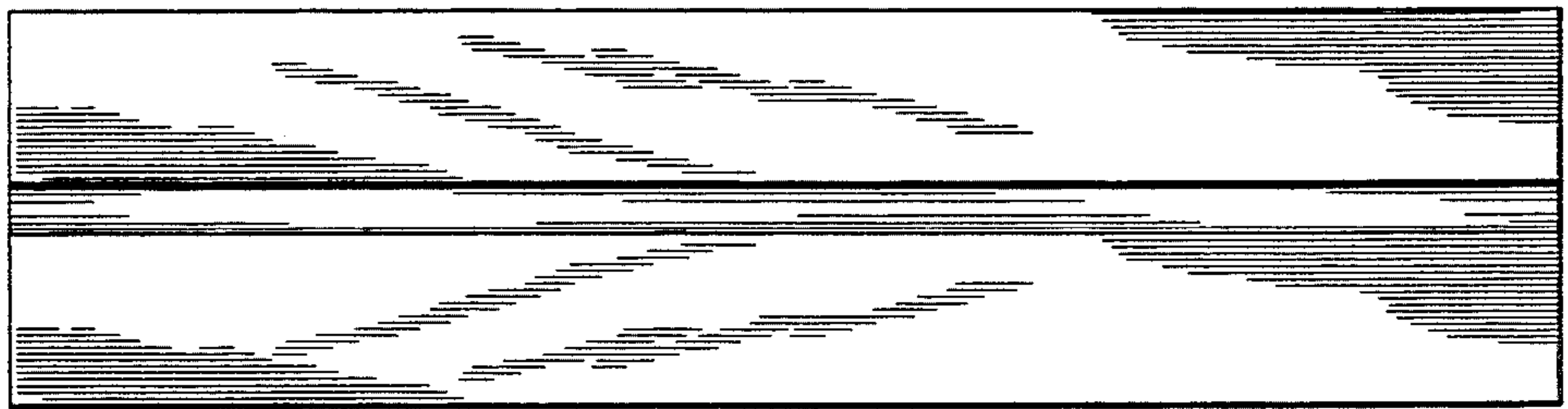


FIG. 1

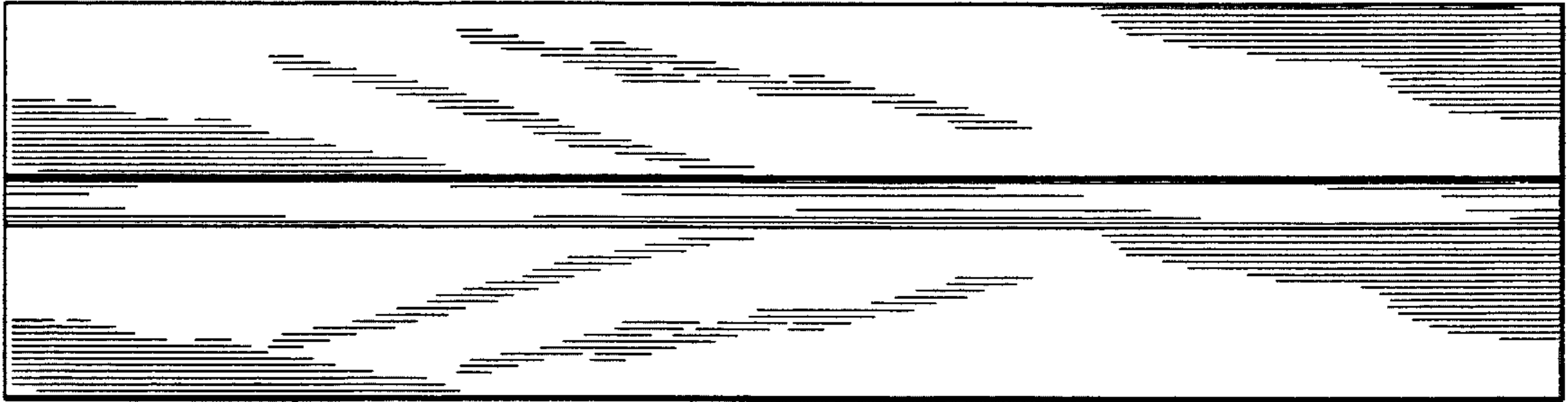


FIG. 2

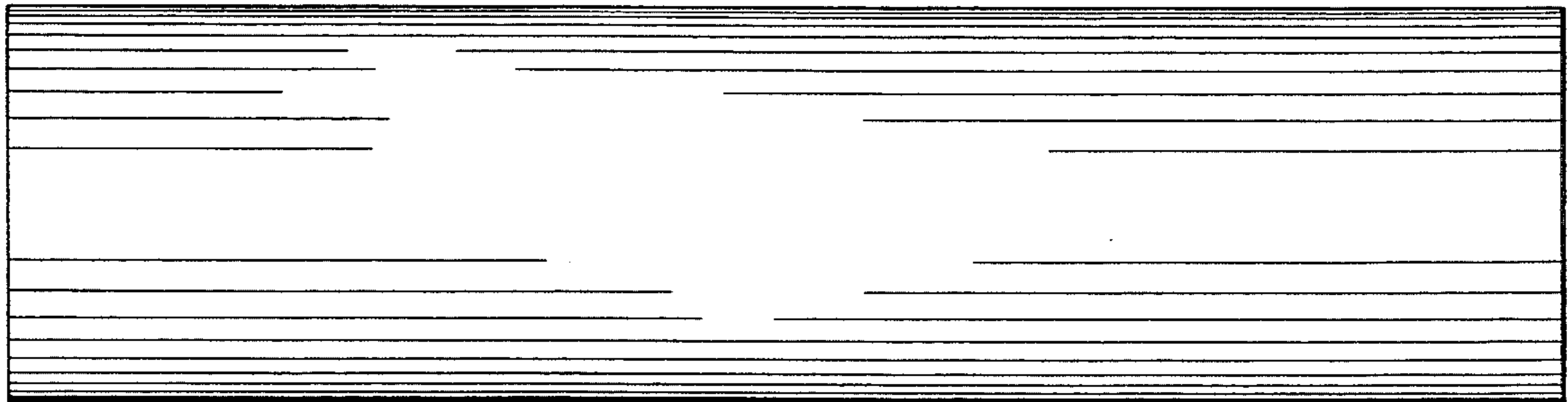


FIG. 3

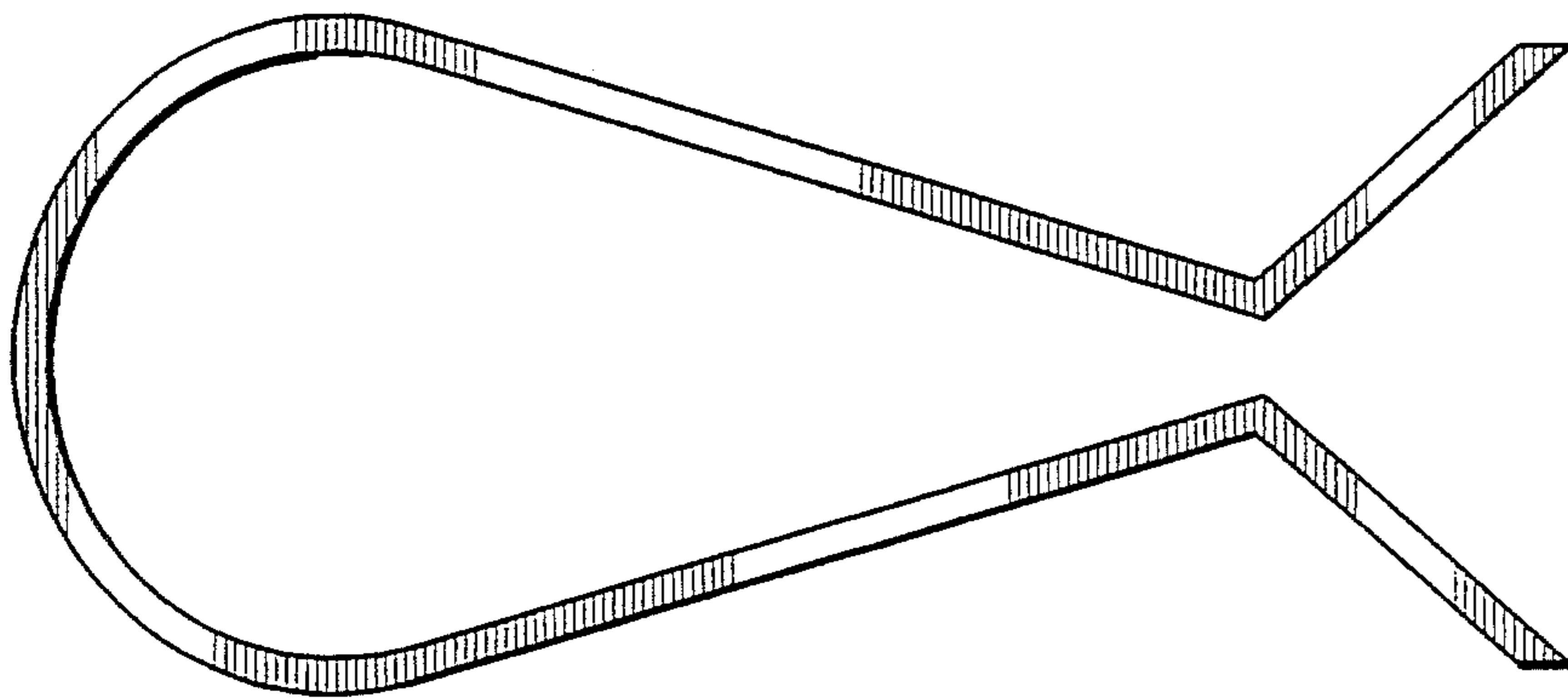


FIG. 4

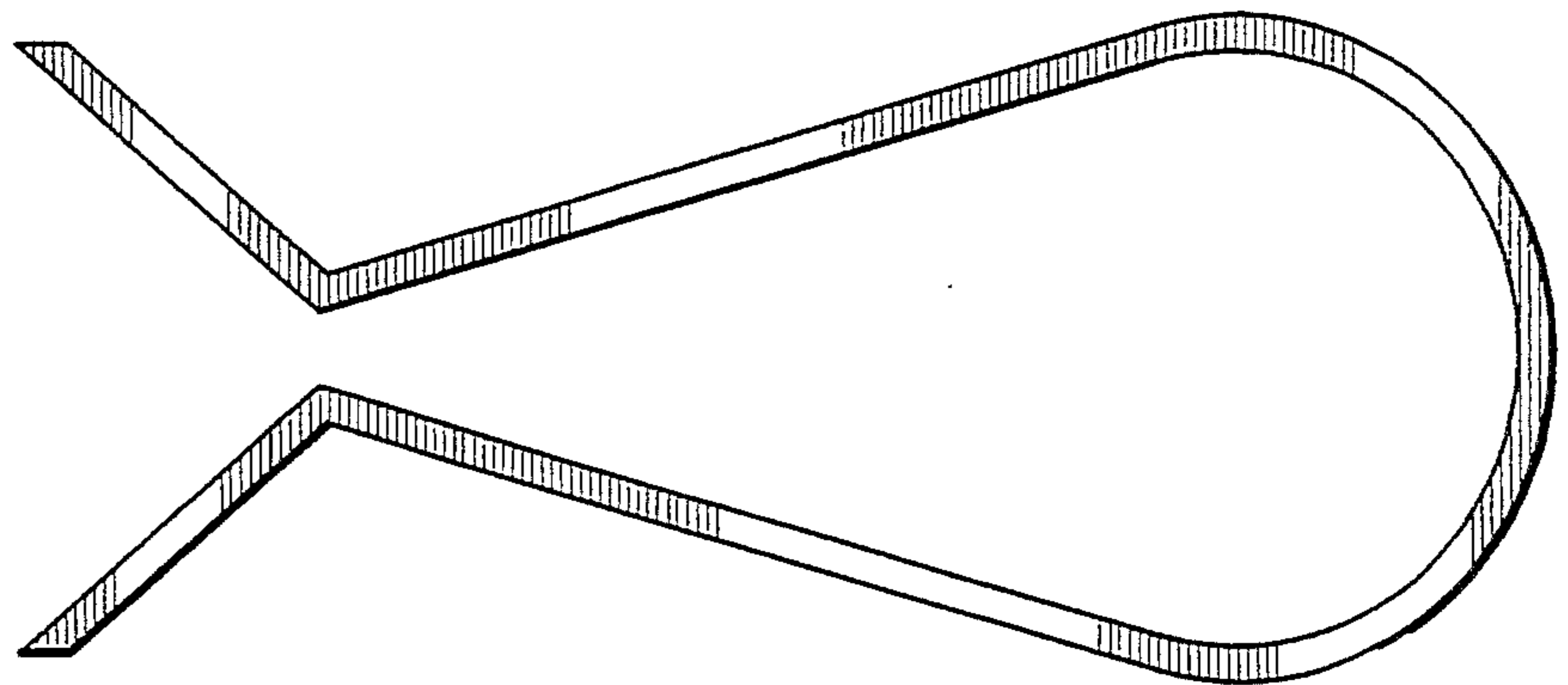


FIG. 5

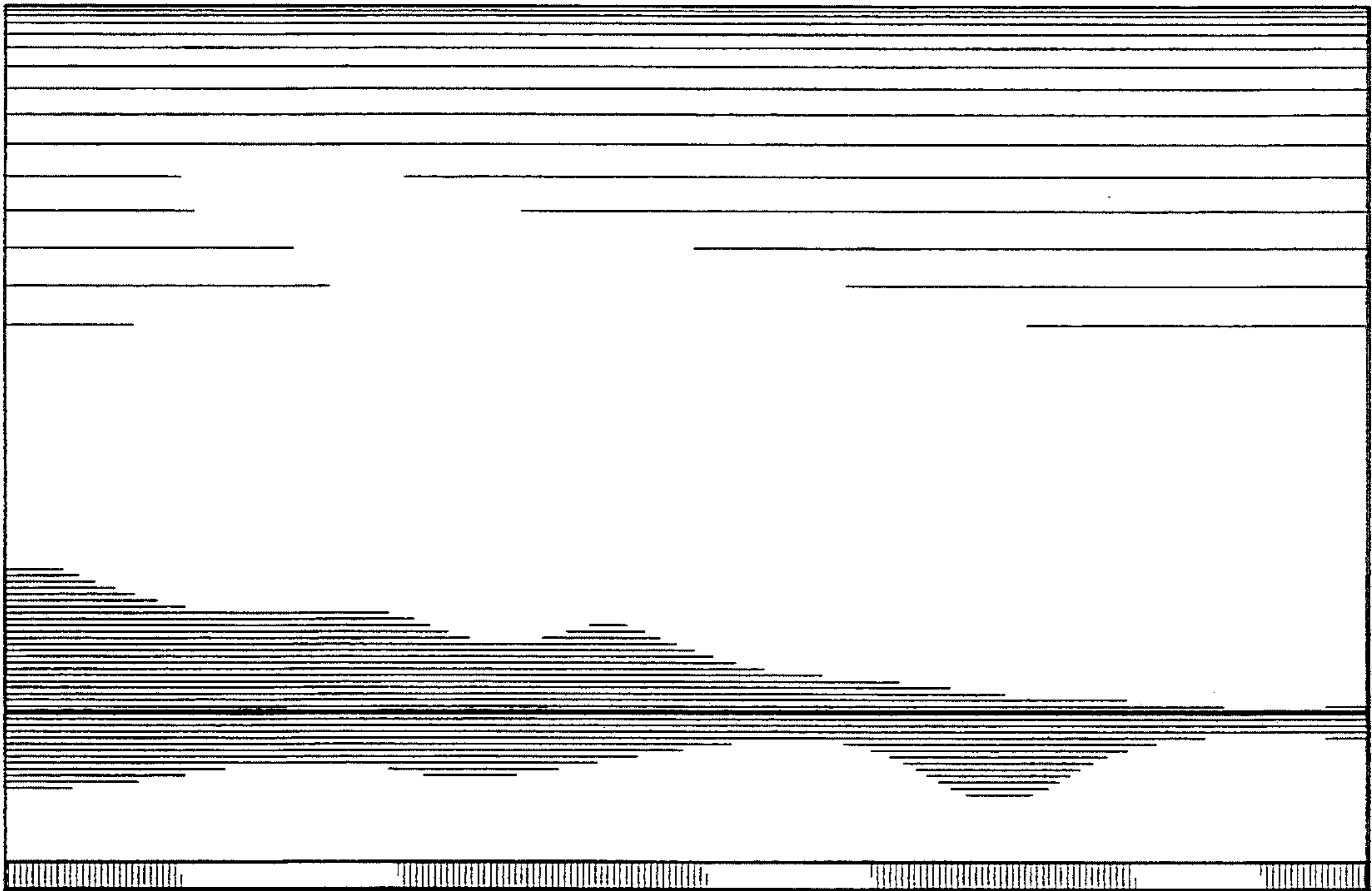


FIG. 6

