



US00D360319S

United States Patent [19]

[11] Patent Number: **Des. 360,319**

Keller

[45] Date of Patent: **** Jul. 18, 1995**

[54] **DESK**
 [75] Inventor: **H. Thomas Keller, High Point, N.C.**
 [73] Assignee: **Henredon Furniture Industries, Inc., Morganton, N.C.**
 [**] Term: **14 Years**
 [21] Appl. No.: **6,263**
 [22] Filed: **Mar. 24, 1993**
 [52] U.S. Cl. **D6/428**
 [58] Field of Search **D6/422-428, D6/480, 484, 488, 450, 451, 434; 312/194-196**

D. 159,562 8/1950 Tanier D6/480
 D. 188,605 8/1960 Lubberts et al. D6/428
 D. 227,061 6/1973 Sobczak D6/422
 D. 293,862 1/1988 Hubert D6/480 X

Primary Examiner—Carmen H. Vales-Lado
Attorney, Agent, or Firm—Edgar A. Zarins; Malcolm L. Sutherland

[56] **References Cited**
U.S. PATENT DOCUMENTS

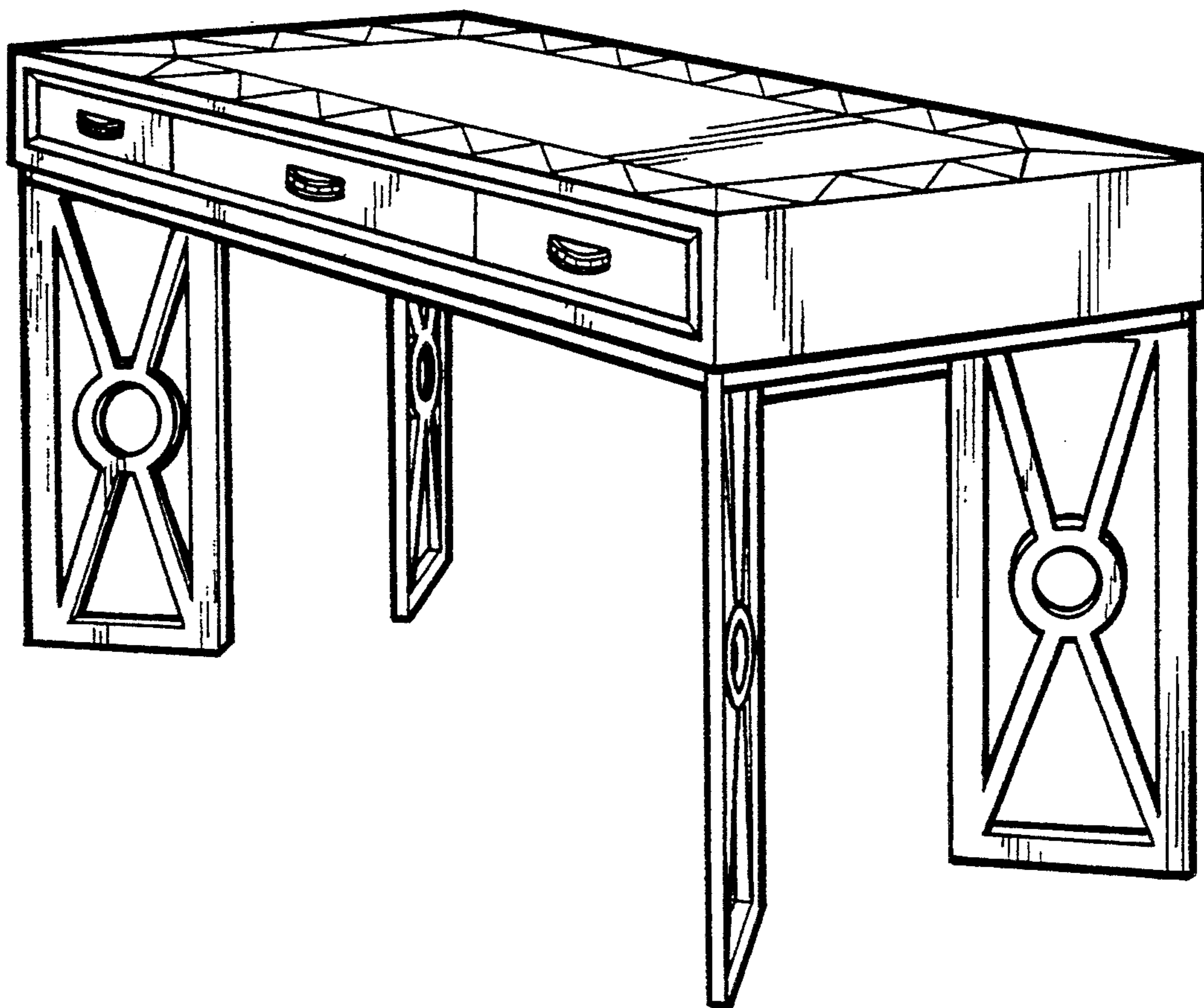
D. 98,588 2/1936 Garshofsky D6/480
 D. 142,097 8/1945 Lindgren et al. D6/428
 D. 150,340 7/1948 Cunningham D6/480
 D. 155,976 11/1949 Dunham D6/428

[57] **CLAIM**

The ornamental design for a desk, as shown and described.

DESCRIPTION

FIG. 1 is a perspective view of a desk showing my new design;
 FIG. 2 is a side elevational view thereof, the opposite side being a mirror image thereof;
 FIG. 3 is a top plan view thereof;
 FIG. 4 is a front elevational view thereof; and,
 FIG. 5 is a rear elevational view thereof.



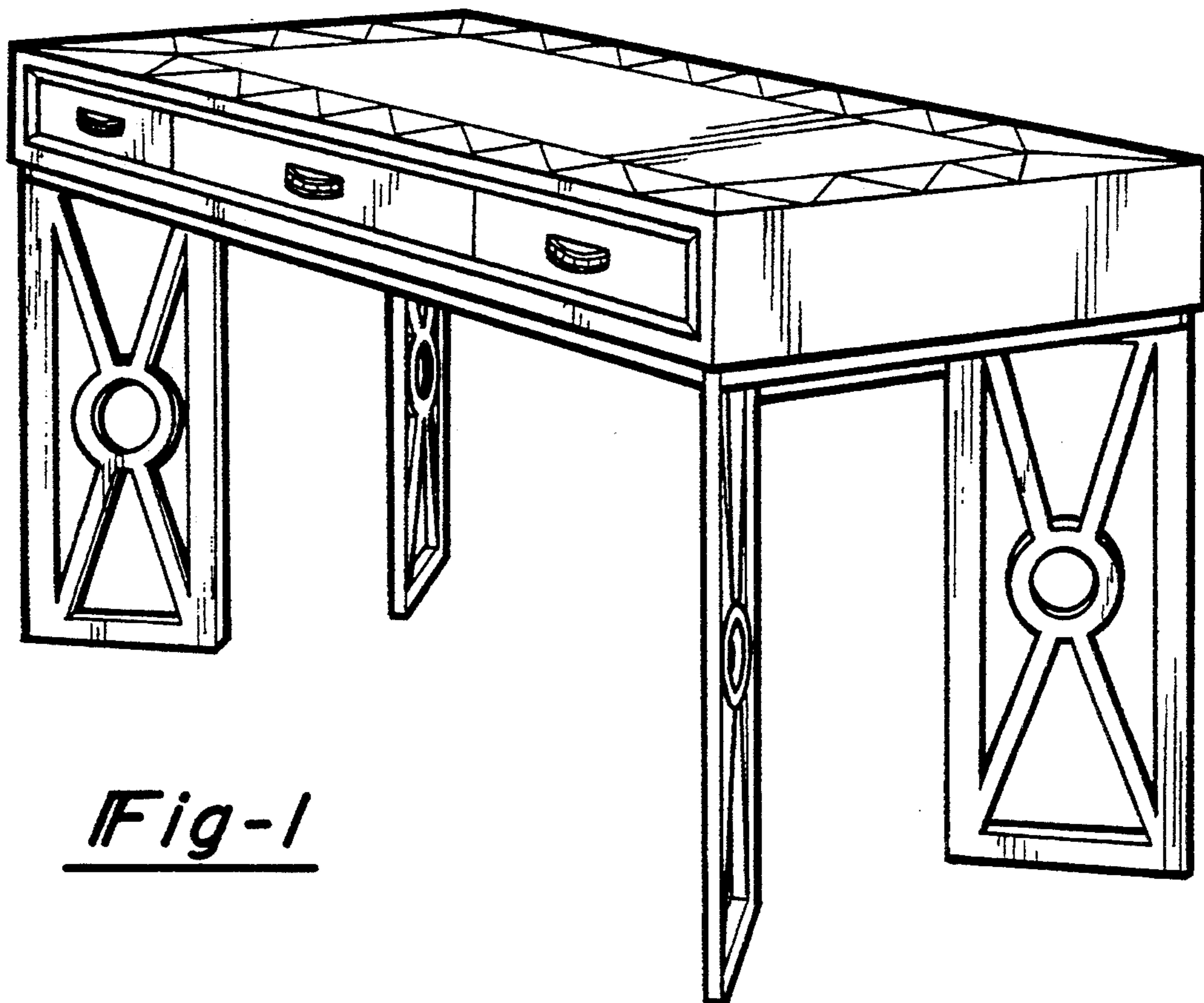


Fig-1

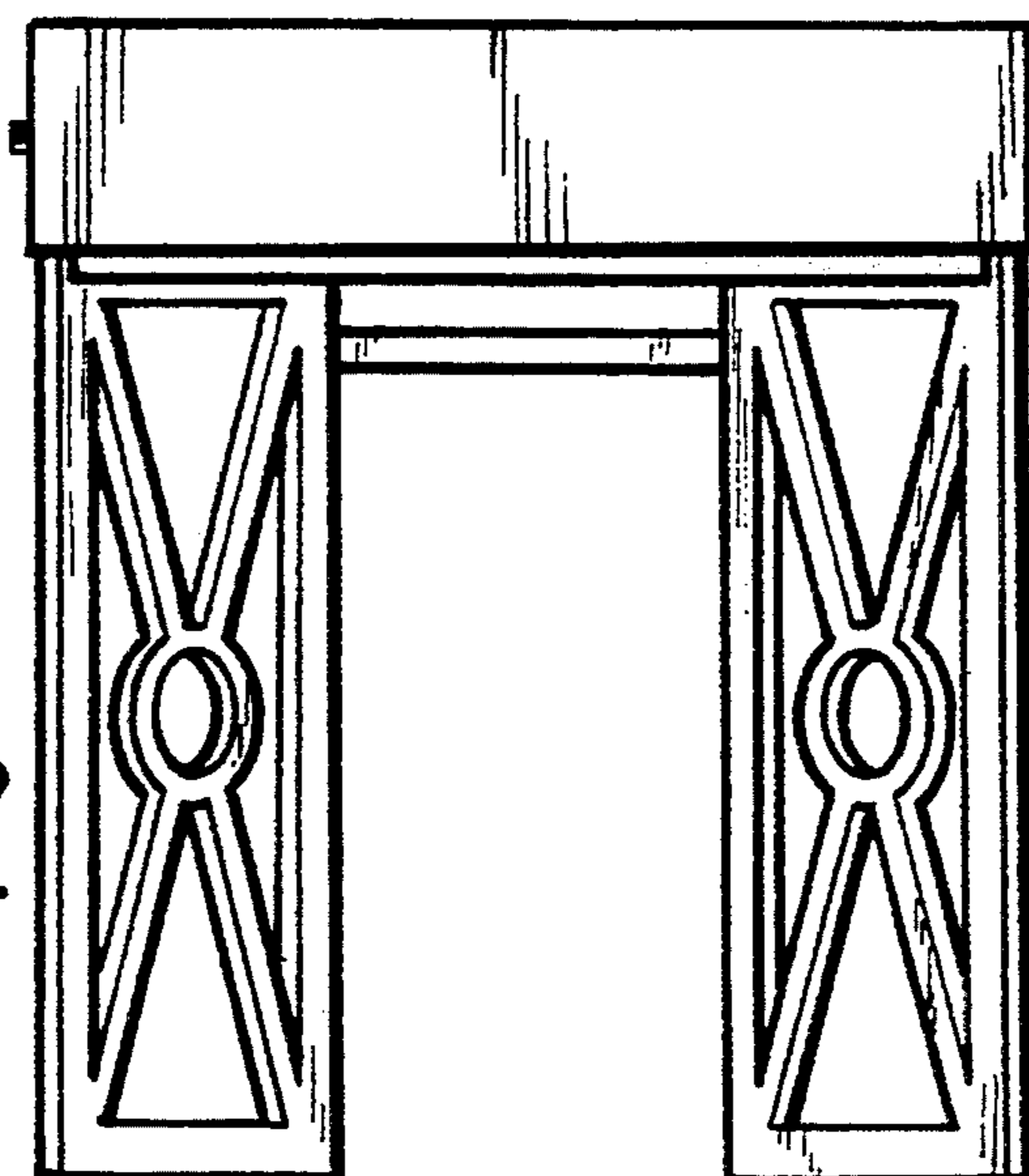


Fig-2

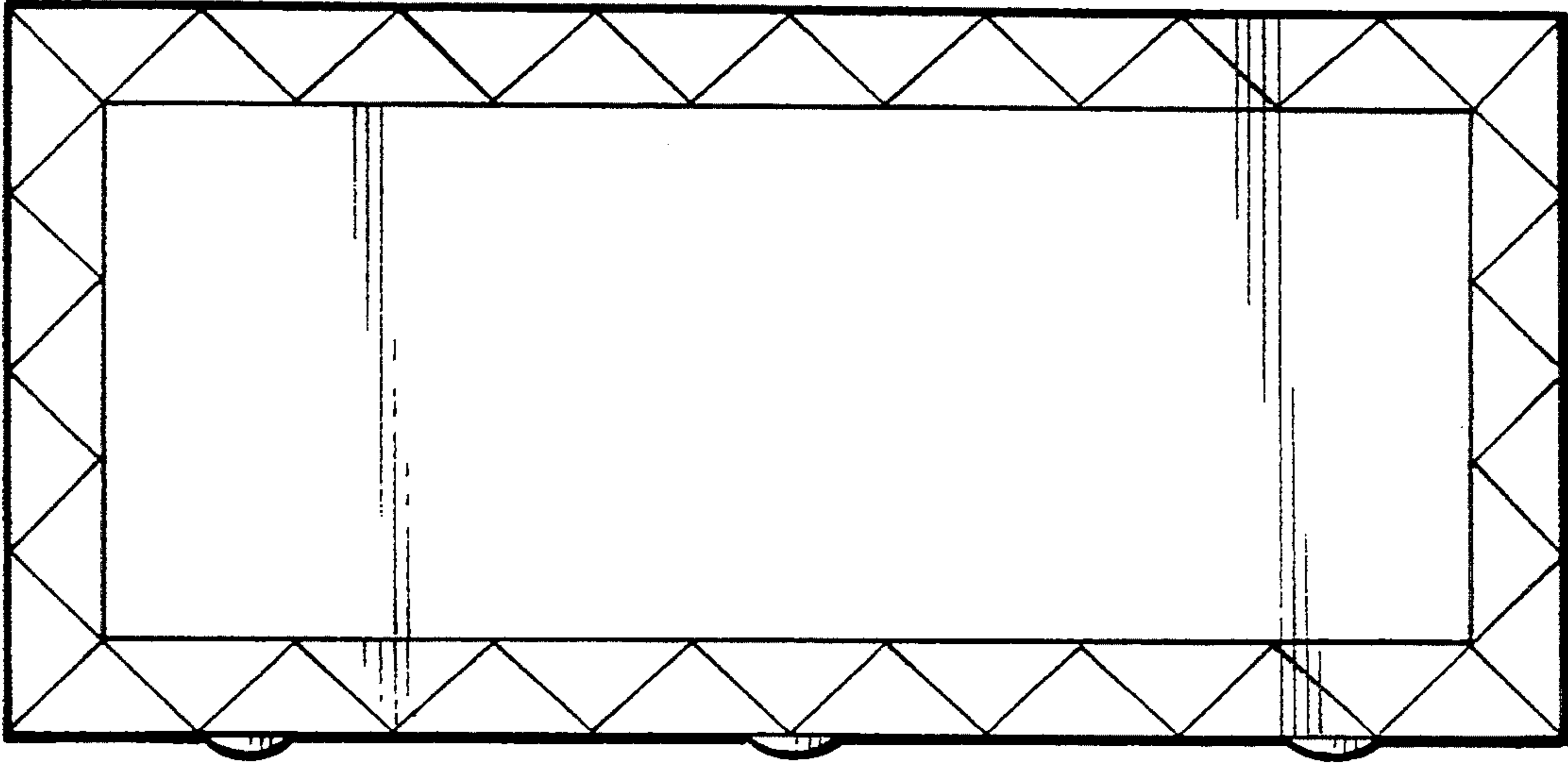


Fig-3

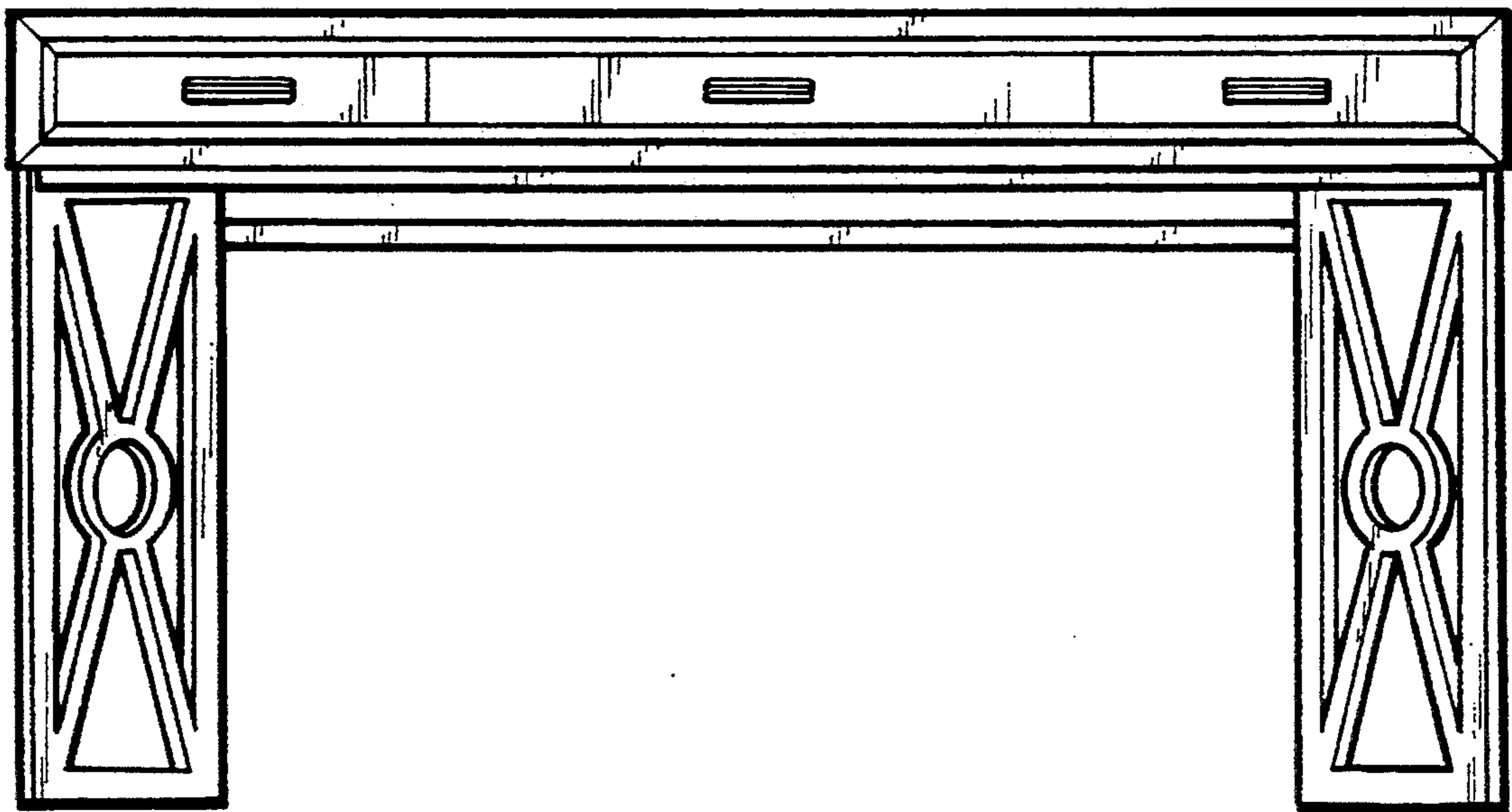


Fig-4

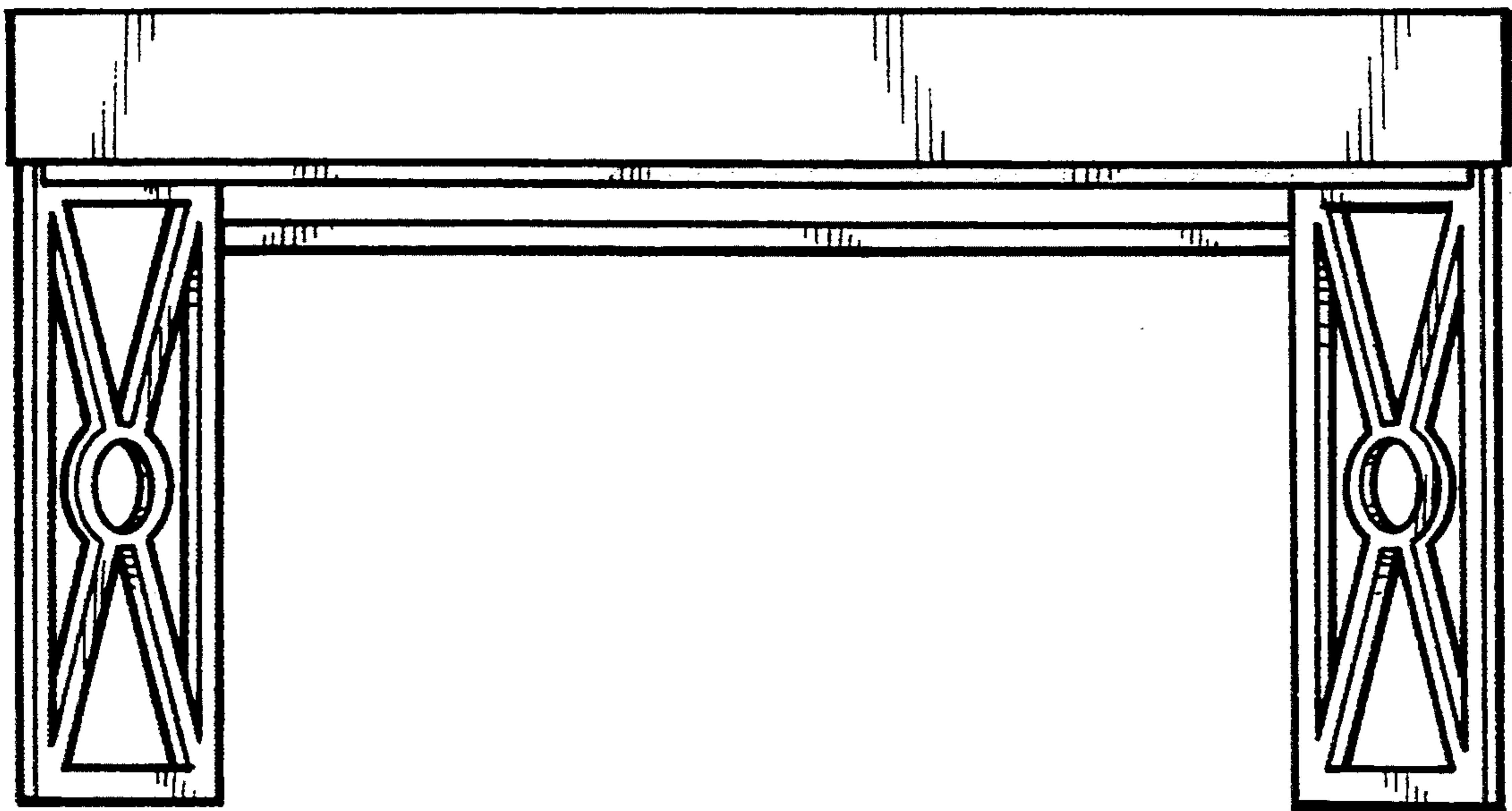


Fig-5