



US00D360318S

United States Patent [19]

[11] Patent Number: **Des. 360,318**

Kinnard, Sr. et al.

[45] Date of Patent: **** Jul. 18, 1995**

[54] **STEERING WHEEL DESK**

[76] Inventors: **William E. Kinnard, Sr.; Gladys W. Kinnard**, both of 12833 Holloway Rd., Tampa, Fla. 33625

[**] Term: **14 Years**

[21] Appl. No.: **2,123**

[22] Filed: **Dec. 4, 1992**

[52] U.S. Cl. **D6/406**

[58] Field of Search **D6/406, 419, 482, 511; D12/415-425; D19/52, 90, 35; 108/43, 44, 47, 97, 99, 115; 211/88; D7/550, 553, 554, 698**

3,952,988 4/1976 Easterly 108/44 X
 4,453,788 6/1984 Russell 108/44 X
 5,060,581 10/1991 Malinski 108/44
 5,177,665 1/1993 Frank et al. 108/44 X

Primary Examiner—Alan P. Douglas
Assistant Examiner—S. Snapp

[57] CLAIM

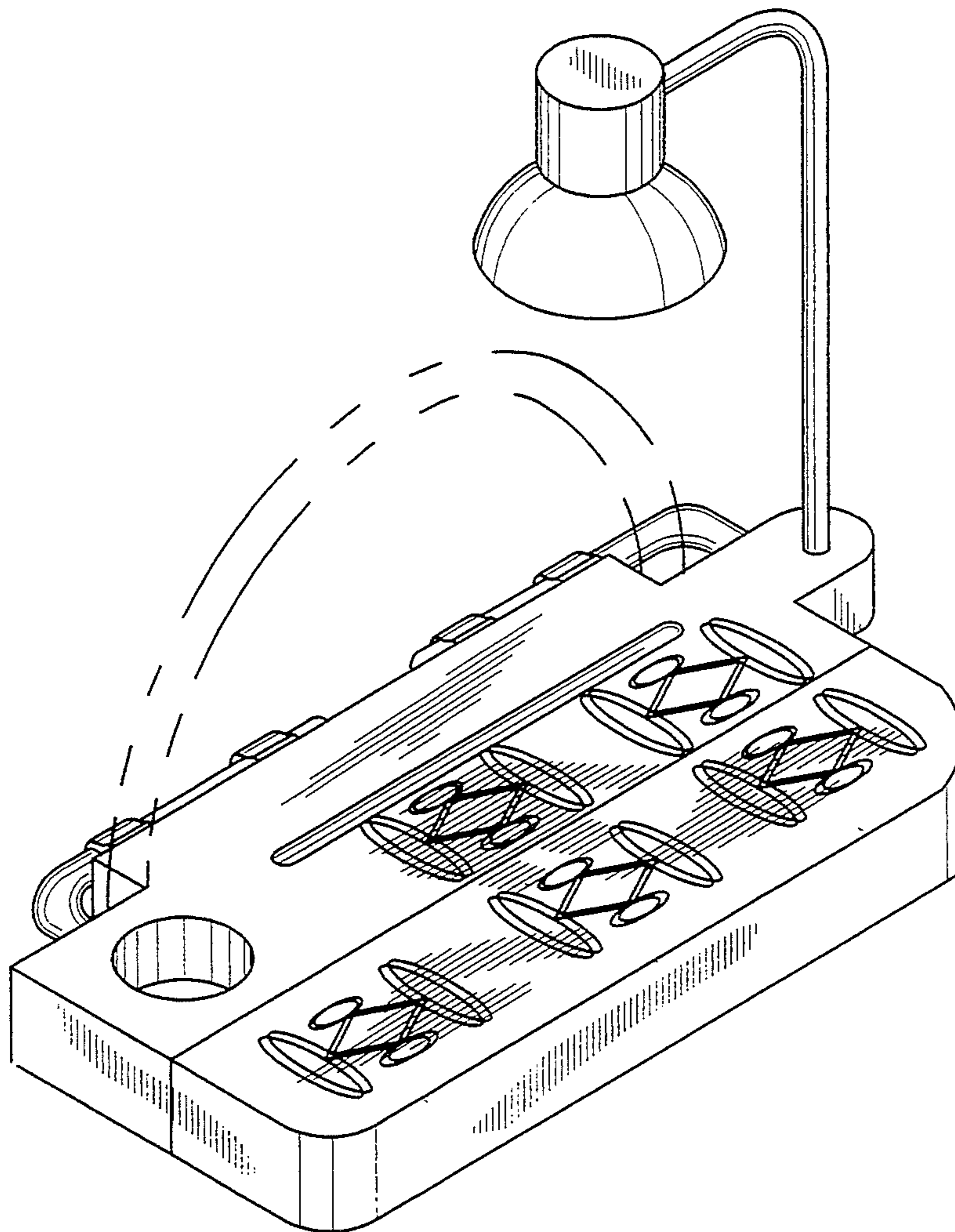
The ornamental design for a steering wheel desk, as shown and described.

DESCRIPTION

FIG. 1 is a front elevational view of the steering wheel desk showing my new design;
 FIG. 2 is a rear elevational view thereof;
 FIG. 3 is a left side elevational view thereof;
 FIG. 4 is a right side elevational view thereof;
 FIG. 5 is a top plan view thereof;
 FIG. 6 is a bottom plan view thereof; and,
 FIG. 7 is an isometric view thereof with a broken line showing of a steering wheel for illustrative purposes only with such steering wheel forming no part of the claimed design.

[56] **References Cited**
U.S. PATENT DOCUMENTS

2,244,861 6/1941 Walker, Sr. 108/44
 2,299,025 10/1942 McGinley 108/44
 2,314,550 3/1943 Olman 108/44
 2,569,310 9/1951 Hitt D6/511 X
 2,856,251 10/1958 Garrison 108/44
 2,866,381 12/1958 Alldredge 108/44 X
 3,074,745 1/1963 Burckhalter 108/44



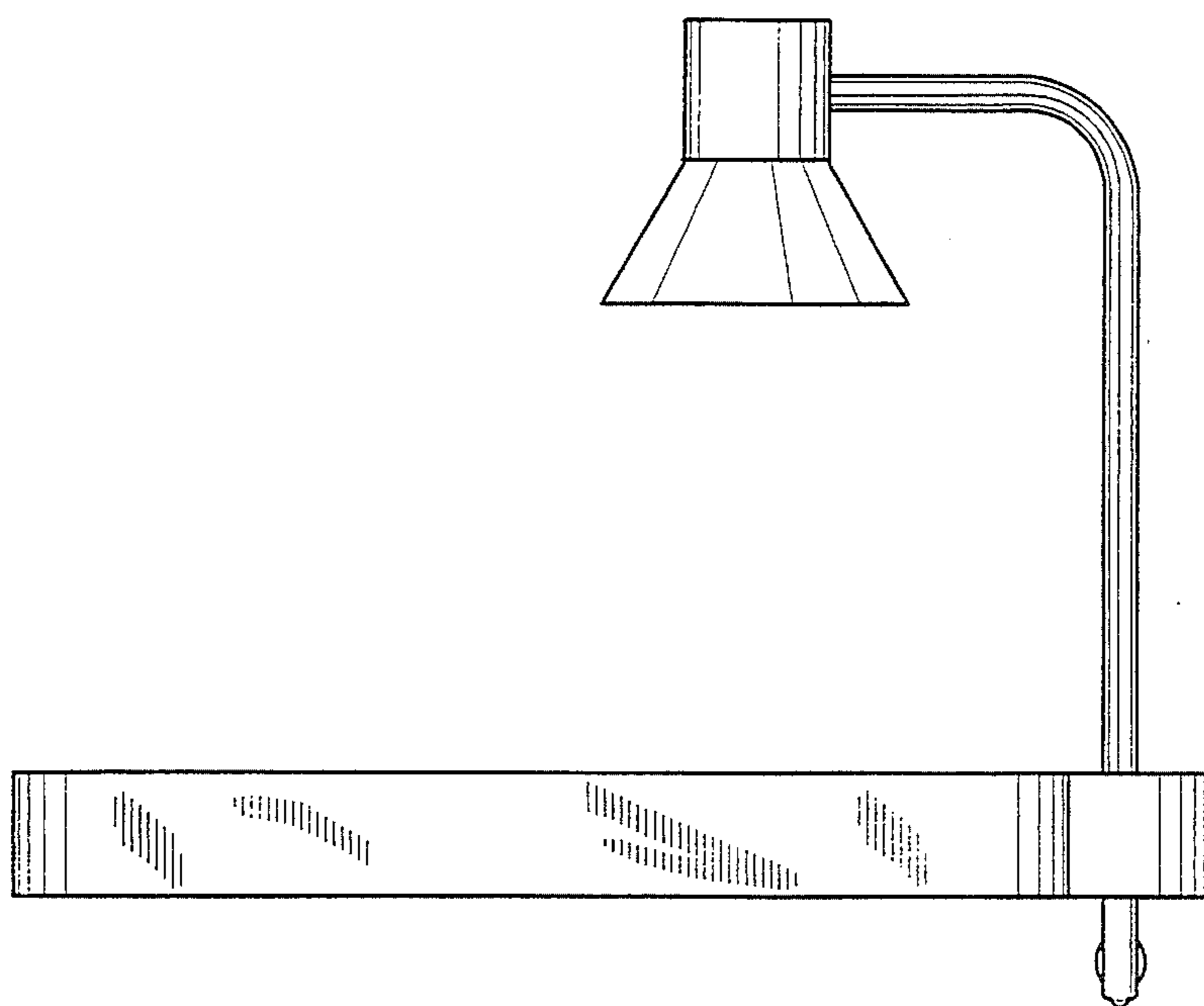


FIG. 1

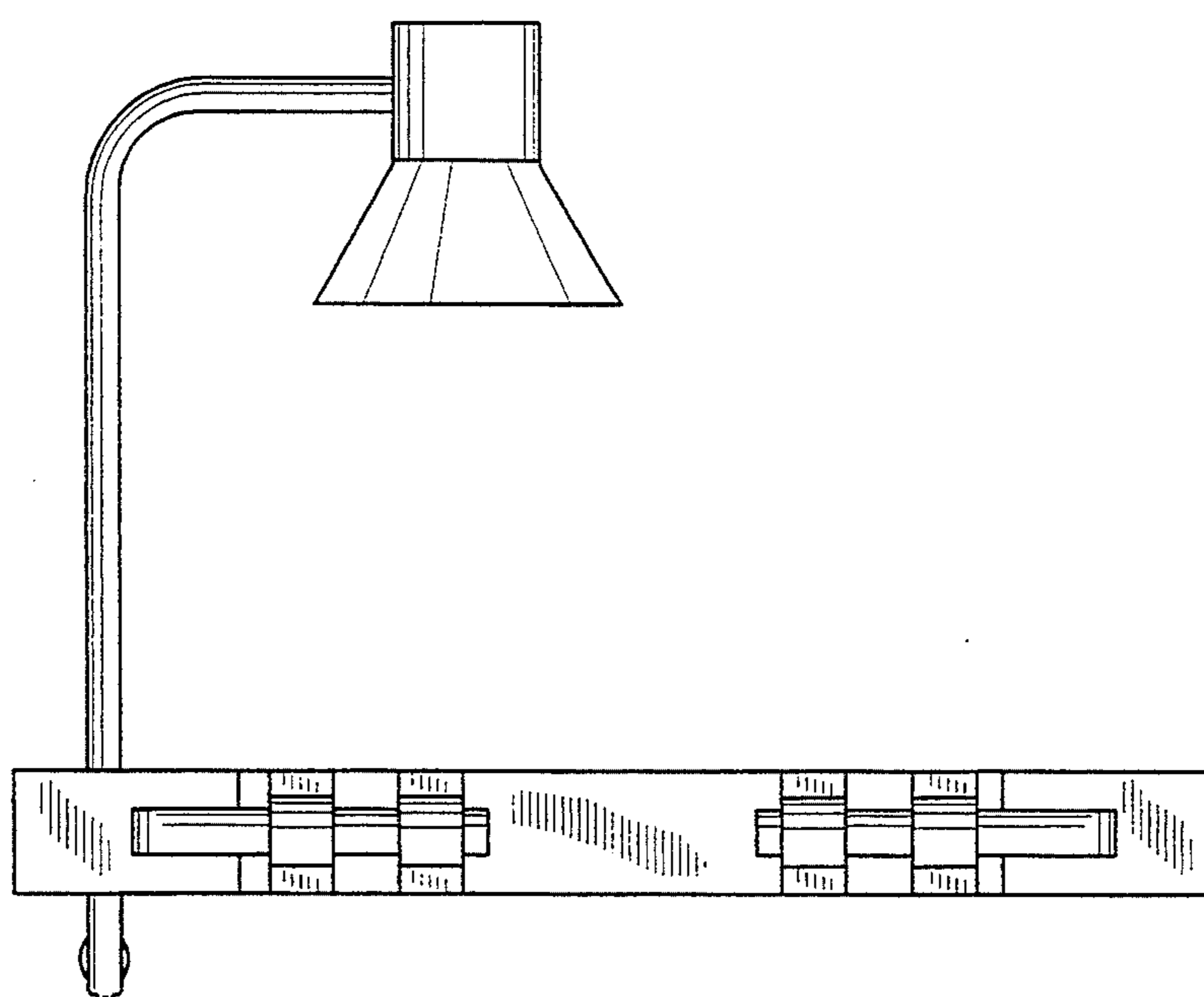


FIG. 2

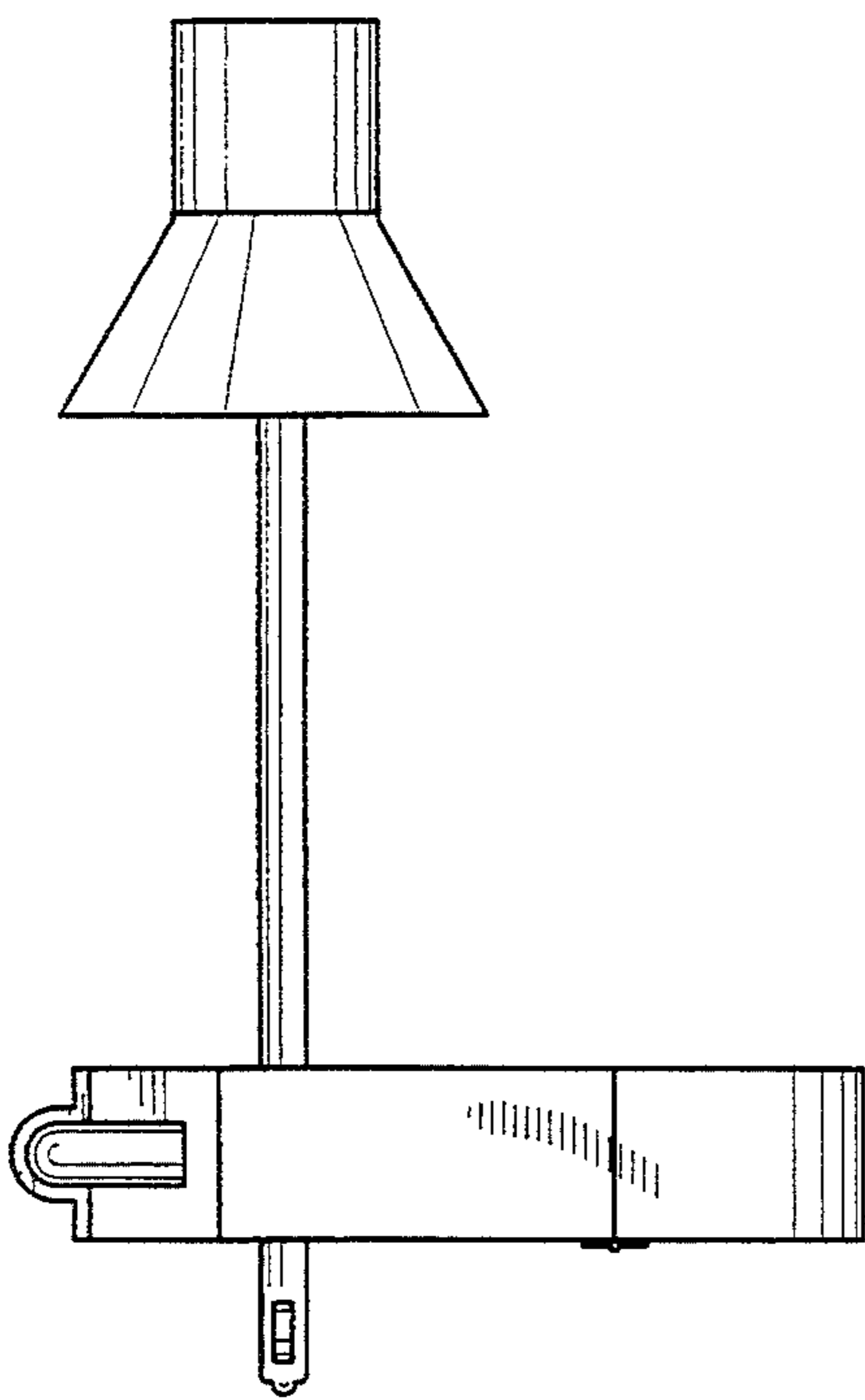


FIG. 3

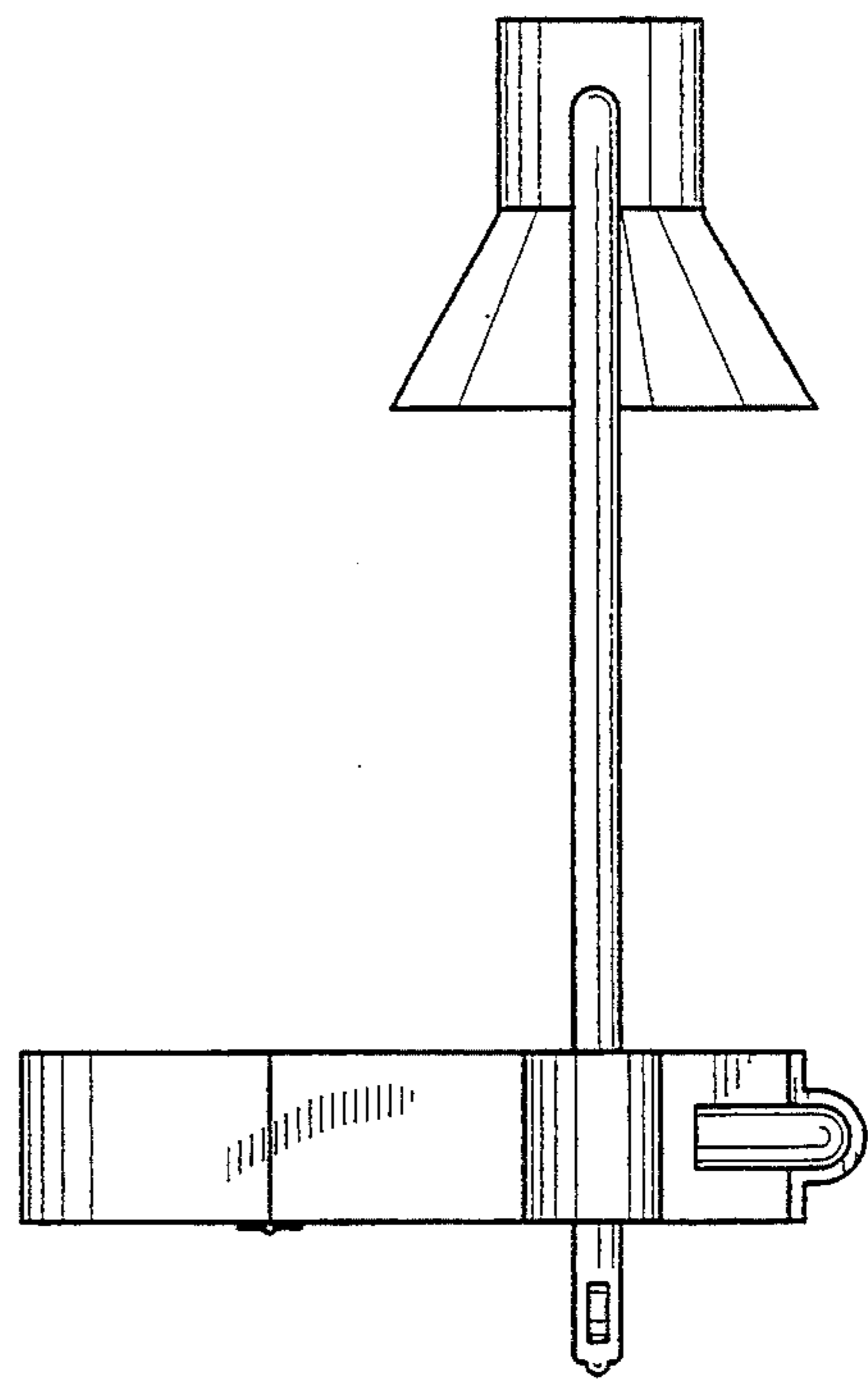


FIG. 4

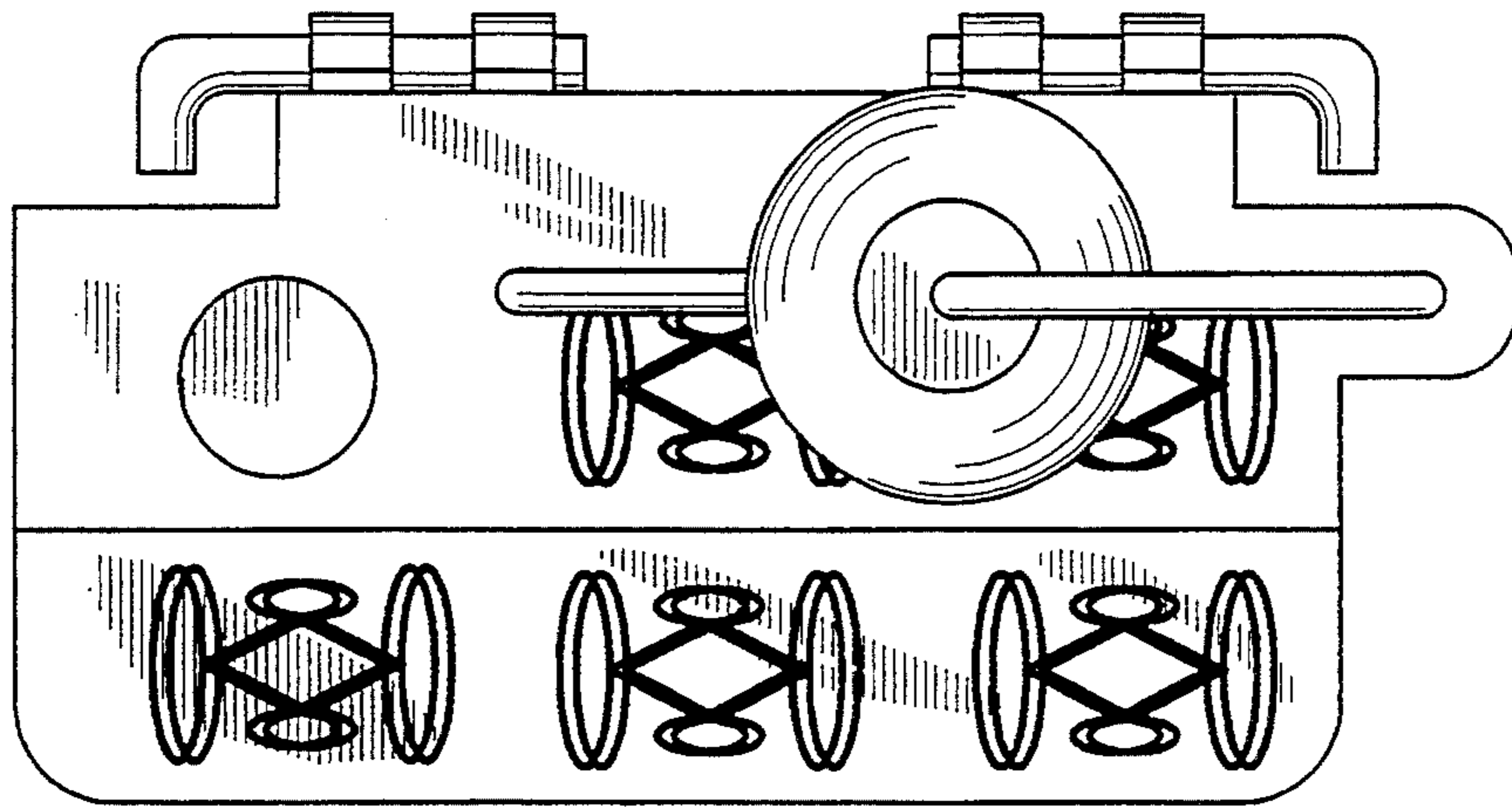


FIG. 5

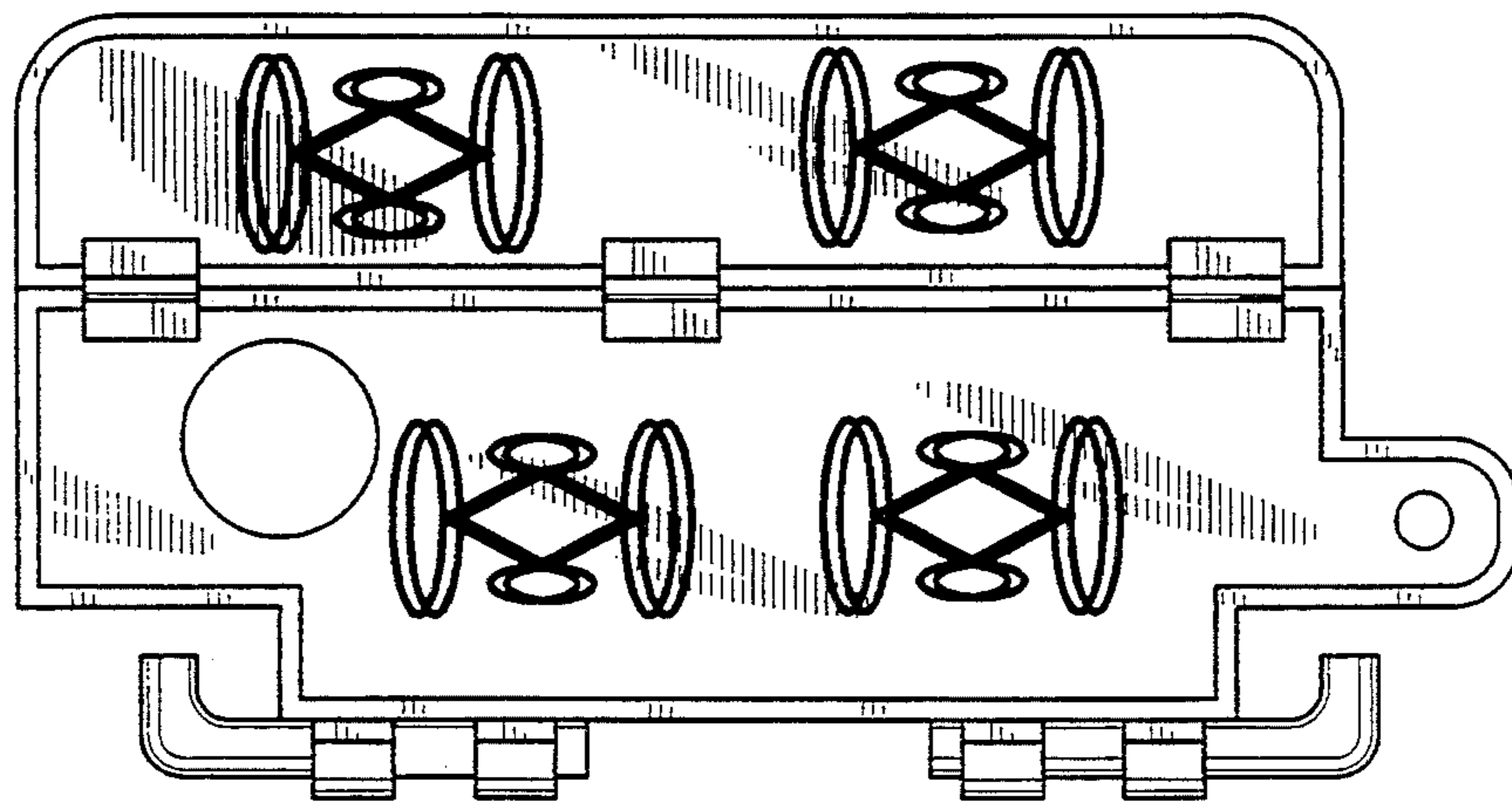


FIG. 6

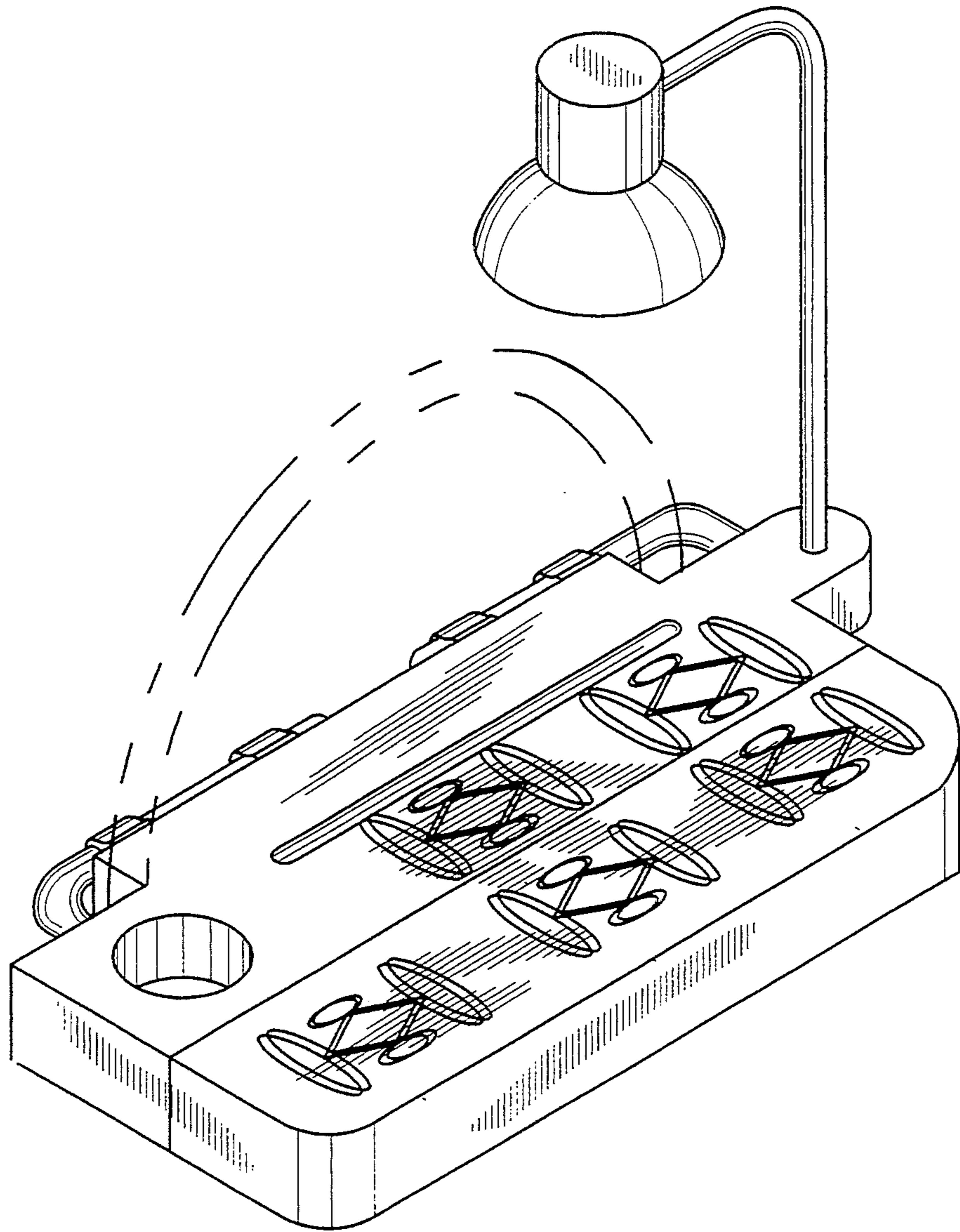


FIG. 7