



US00D360313S

United States Patent [19] Lin

[11] Patent Number: **Des. 360,313**
[45] Date of Patent: *** Jul. 18, 1995**

[54] **CHAIR AND DESK COMBINATION**

[76] Inventor: **Hanson Lin**, No. 8, Lane 561, Ming Shen Road, San Fong, Tsuen, Da Ya Hsiang, Taichung Hsien, Taiwan

[*] Notice: The portion of the term of this patent subsequent to Mar. 28, 2009 has been disclaimed.

[**] Term: **14 Years**

[21] Appl. No.: **16,751**

[22] Filed: **Dec. 23, 1993**

[52] U.S. Cl. **D6/336**

[58] Field of Search **D6/334, 335, 336, 338, D6/341, 371, 373, 379, 381, 500, 501, 502; 297/232**

[56] **References Cited**

U.S. PATENT DOCUMENTS

- D. 148,337 1/1948 Stein D6/336
- D. 161,894 2/1951 Becker, Jr. D6/371

- D. 237,026 10/1975 Vogt D6/336
- D. 268,552 4/1983 Raftery et al. D6/336

OTHER PUBLICATIONS

Taylor Chair Co., Seating Unit #7100-2R Shown.

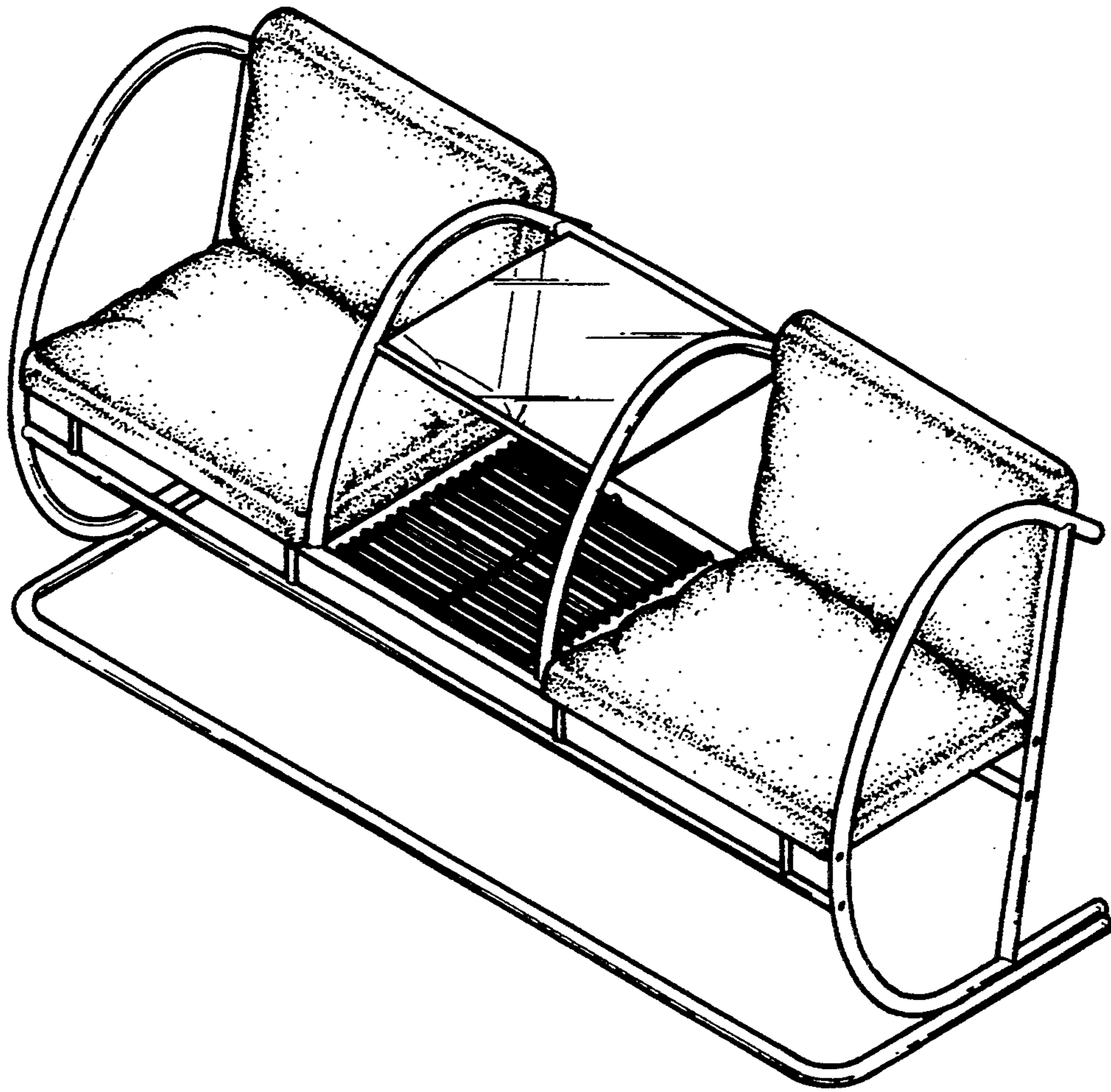
Primary Examiner—Alan P. Douglas
Assistant Examiner—Gary D. Watson
Attorney, Agent, or Firm—Charles E. Baxley

[57] **CLAIM**

The ornamental design for a chair and desk combination, as shown and described.

DESCRIPTION

FIG. 1 is a perspective view of a chair and desk combination showing my new design;
FIG. 2 is a front elevational view thereof;
FIG. 3 is a rear elevational view thereof;
FIG. 4 is a right side elevational view thereof, the left side being a mirror image of that shown in FIG. 4;
FIG. 5 is a top plan view thereof; and,
FIG. 6 is a bottom plan view thereof.



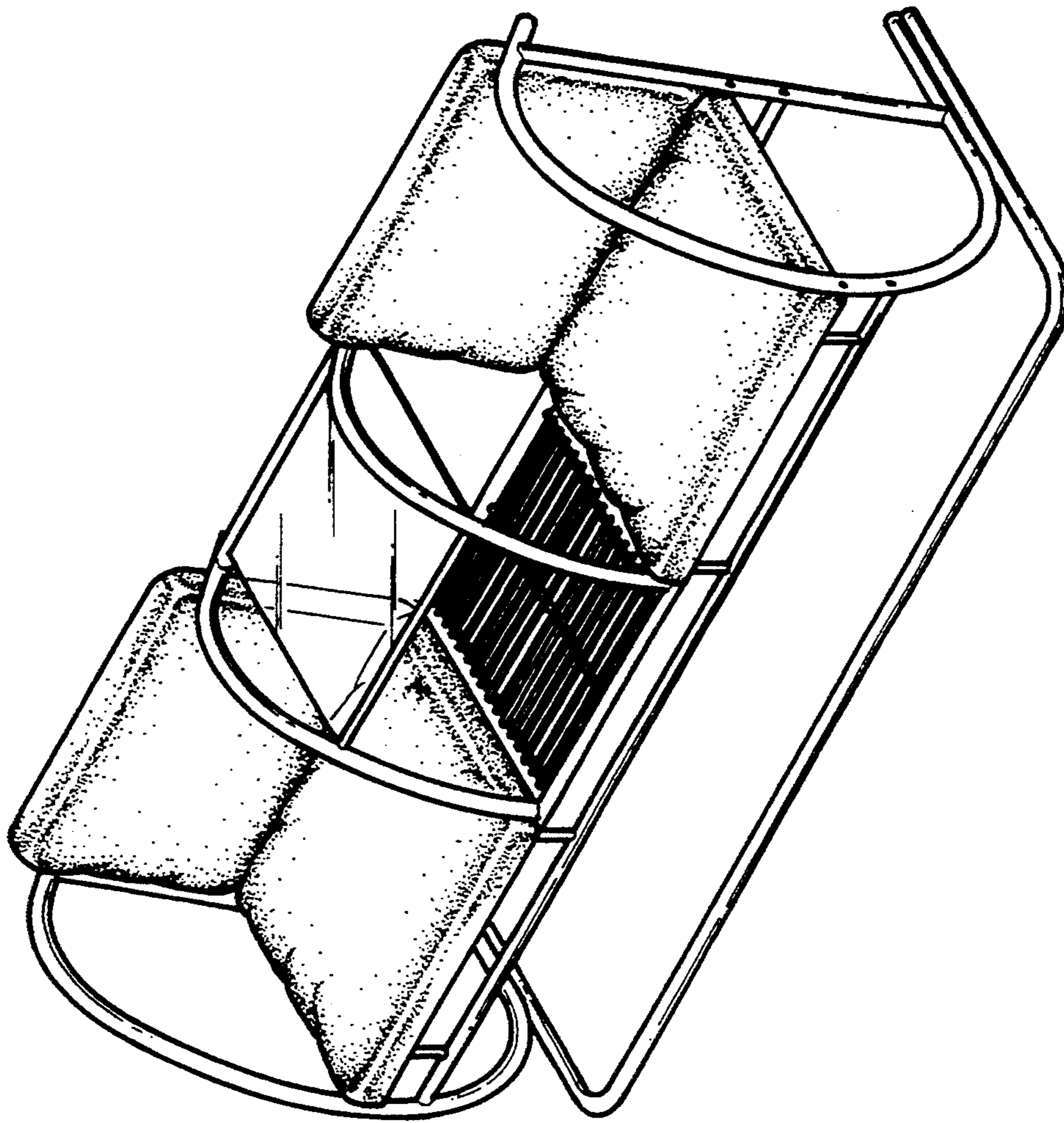


Fig. 1

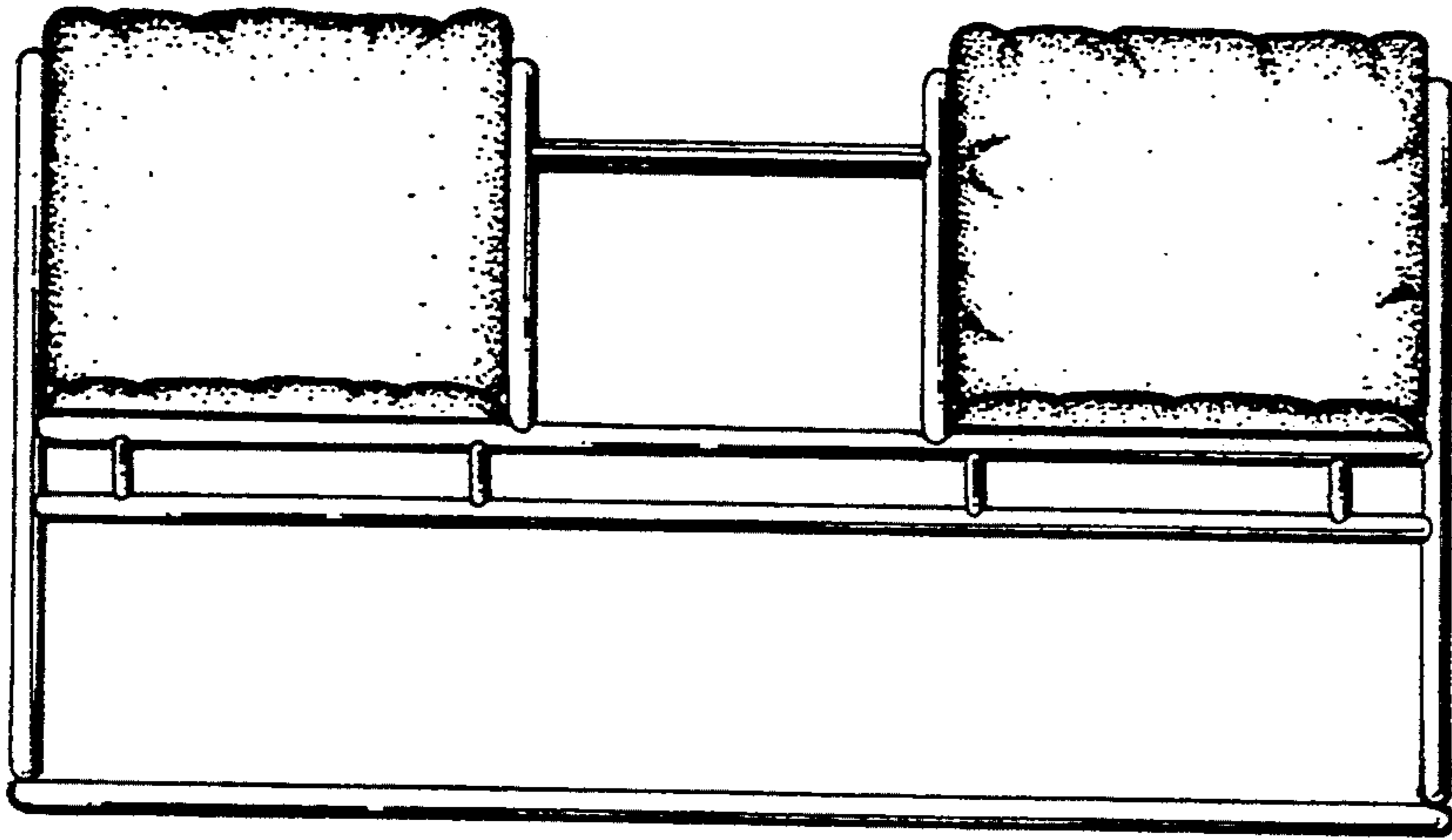


Fig. 2

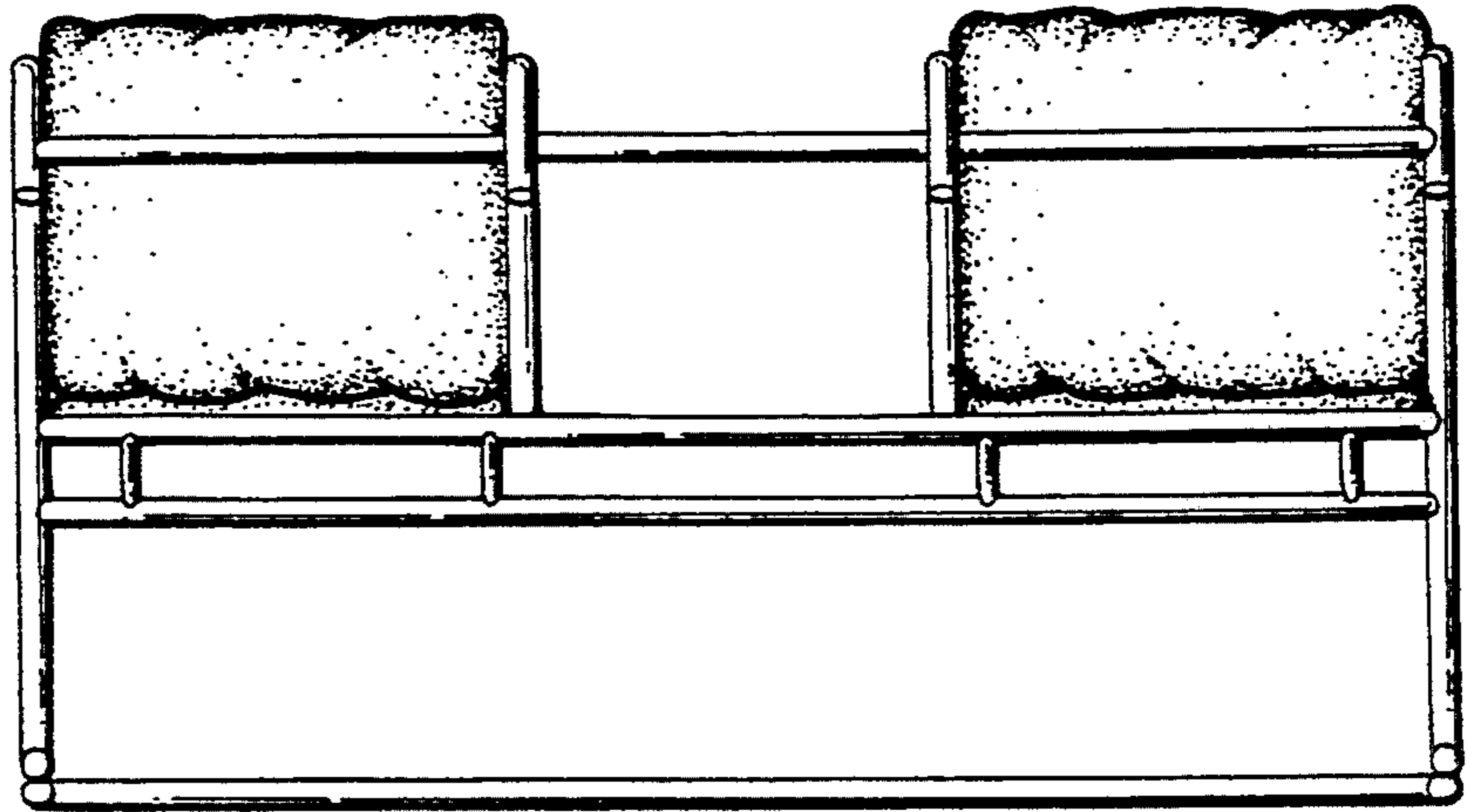


Fig. 3

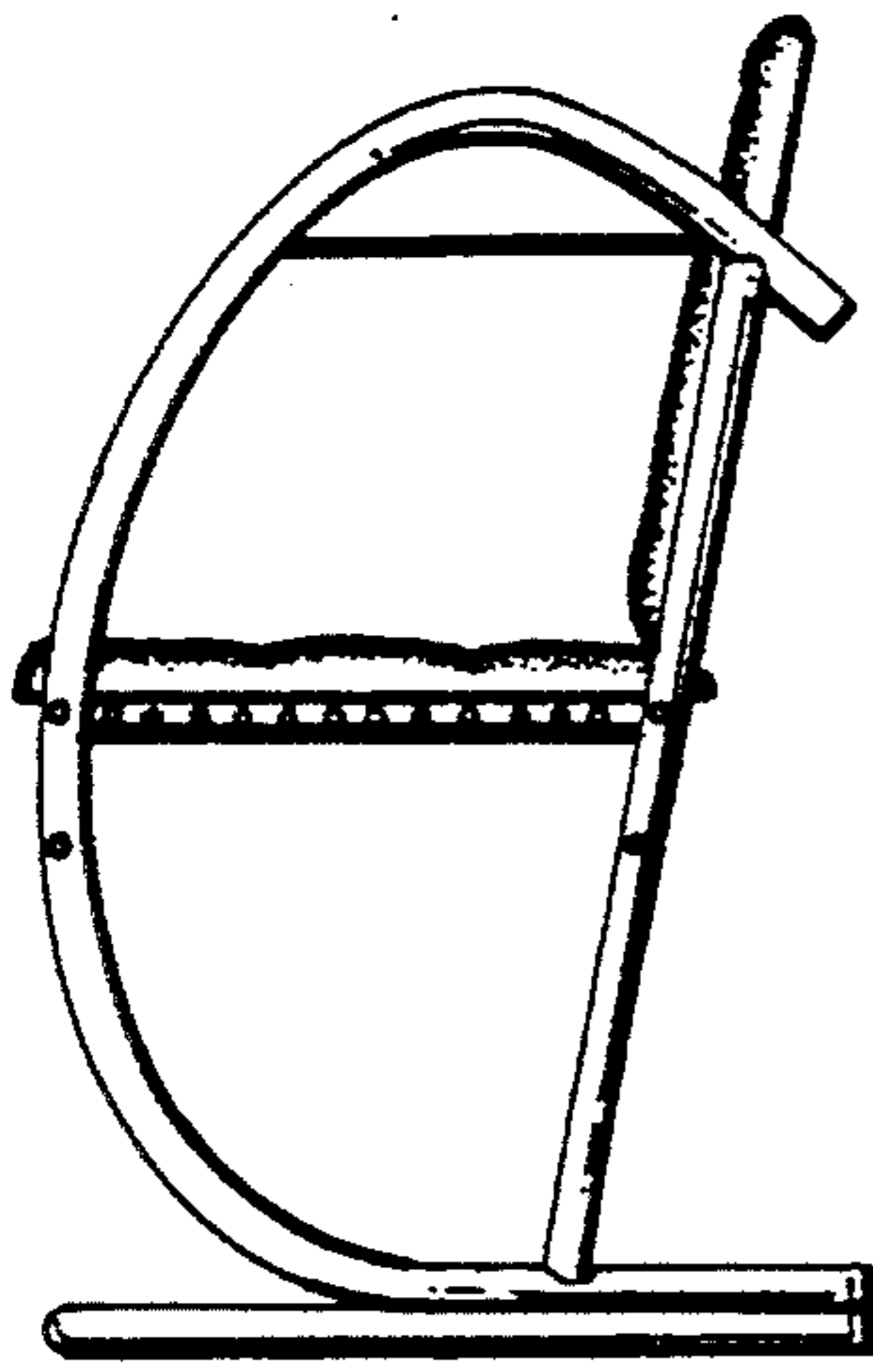


Fig. 4

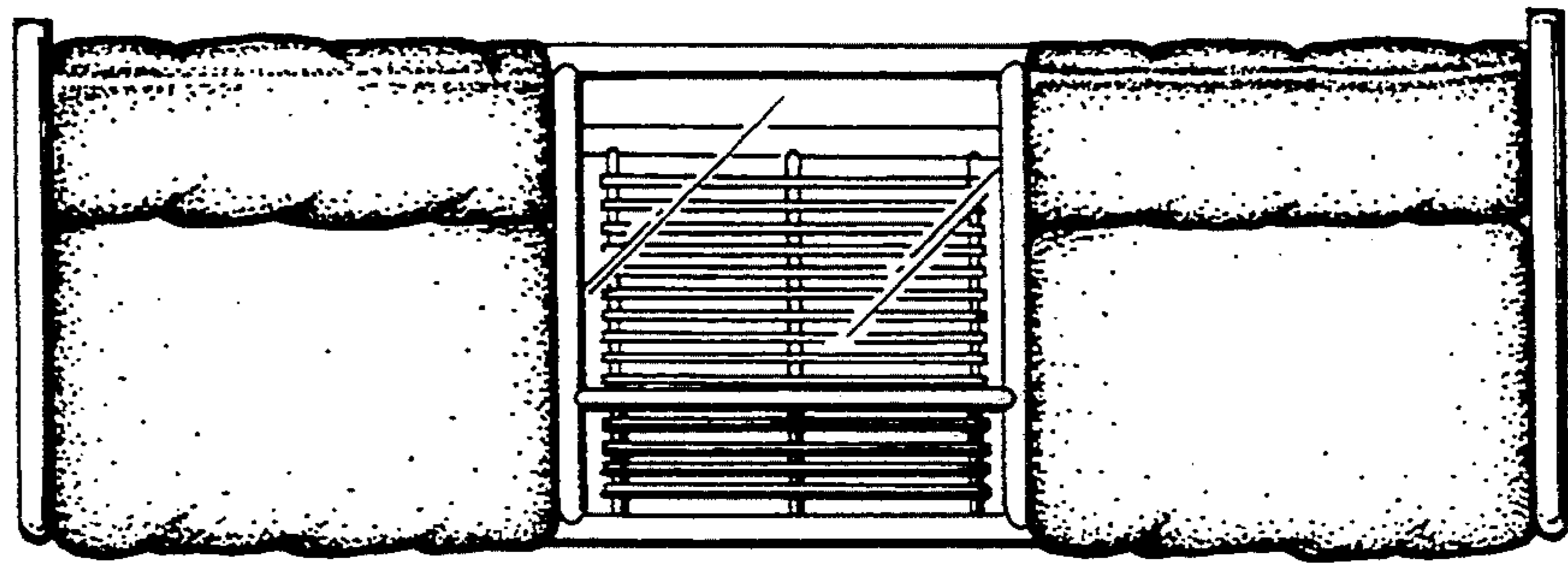


Fig. 5

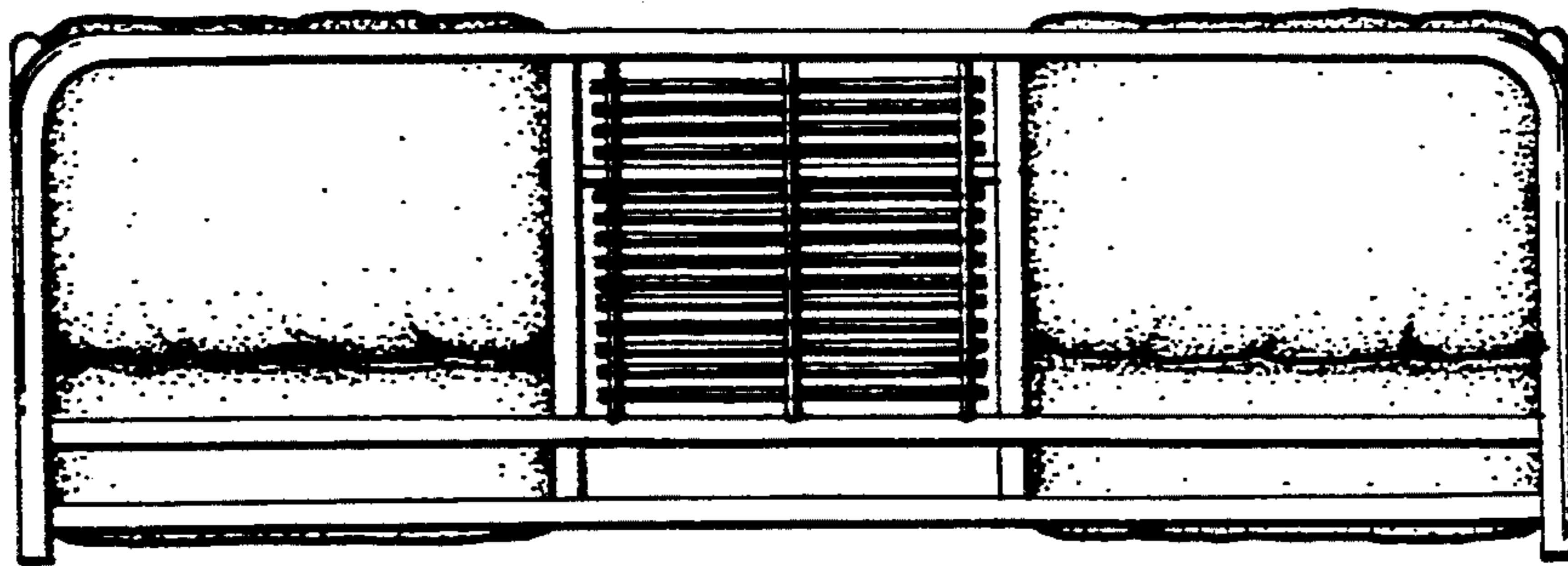


Fig. 6