



US00D360311S

United States Patent [19]

[11] Patent Number: Des. 360,311

Stamberg et al.

[45] Date of Patent: ** Jul. 18, 1995

[54] LOUNGE SEATING

[75] Inventors: Peter Stamberg; Paul Aferiat, both of New York, N.Y.

[73] Assignee: Westinghouse Electric Corp., Pittsburgh, Pa.

[**] Term: 14 Years

[21] Appl. No.: 24,099

[22] Filed: Jun. 8, 1994

[52] U.S. Cl. D6/334; D6/336; D6/381

[58] Field of Search D6/334, 335, 336, 364, D6/371, 373, 381, 500, 501, 502; 297/232, 445

[56] References Cited

U.S. PATENT DOCUMENTS

D. 220,997	6/1971	Svezia et al.	D6/335
D. 224,764	9/1972	Rowland	D6/381
D. 224,766	9/1972	Rowland	D6/371
D. 234,731	4/1975	McDonald	D6/371
D. 234,988	4/1975	Lopez-Benitez	D6/334
D. 338,349	8/1993	Warnock	D6/381
D. 342,837	1/1994	Forcolini	D6/334
D. 347,529	6/1994	Hachenberg	D6/334

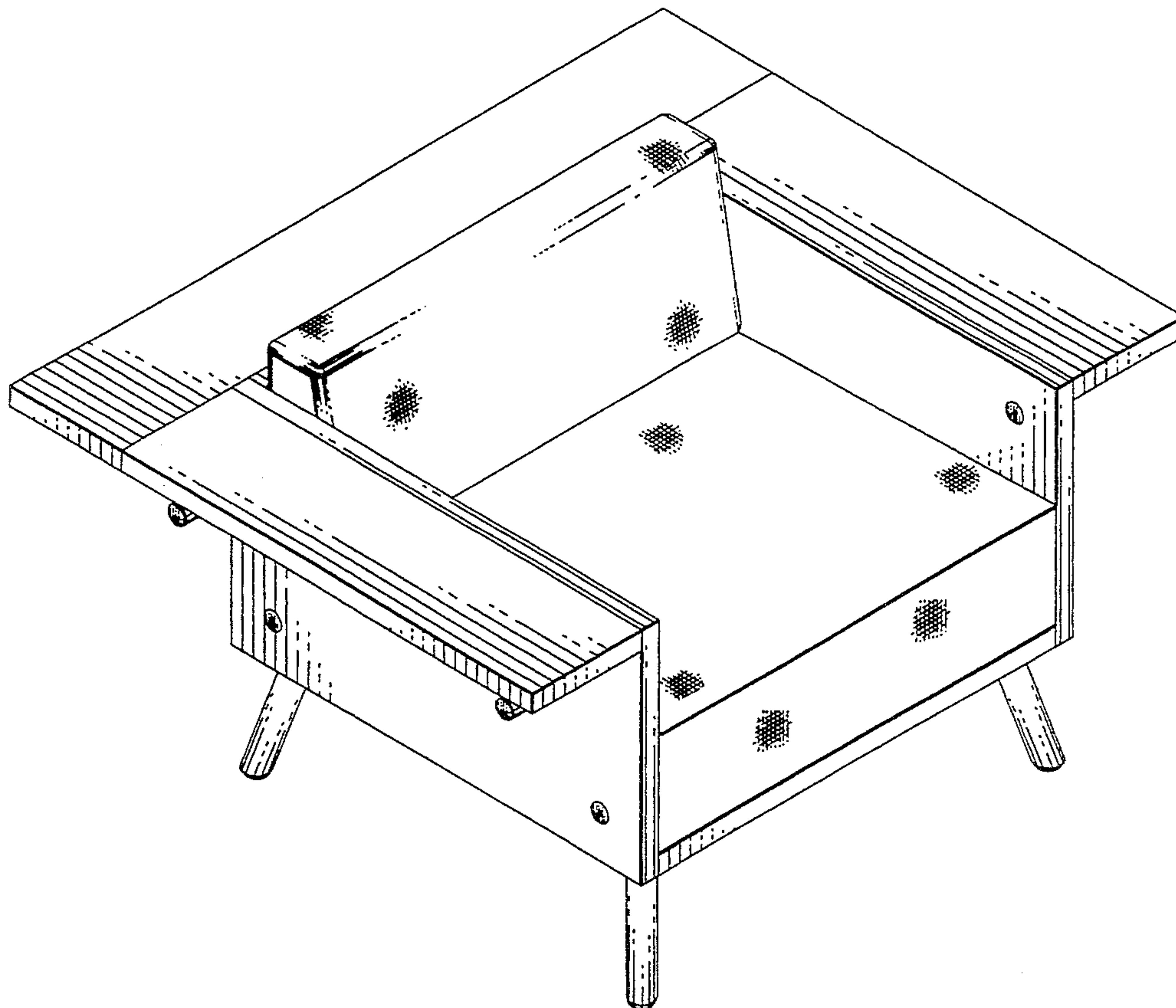
Primary Examiner—Alan P. Douglas
Assistant Examiner—Gary D. Watson
Attorney, Agent, or Firm—Carla J. Vrsansky

[57] CLAIM

The ornamental design for lounge seating, as shown and described.

DESCRIPTION

FIG. 1 is a perspective view of lounge seating showing our new design;
 FIG. 2 is a front elevational view thereof;
 FIG. 3 is a rear elevational view thereof;
 FIG. 4 is a right side elevational view thereof, the left side being a mirror image thereof;
 FIG. 5 is a top plan view thereof;
 FIG. 6 is a bottom plan view thereof;
 FIG. 7 is a perspective view of an alternate embodiment of our new design;
 FIG. 8 is a front elevational view thereof;
 FIG. 9 is a rear elevational view thereof;
 FIG. 10 is a right side elevational view thereof, the left side being a mirror image thereof;
 FIG. 11 is a top plan view thereof;
 FIG. 12 is a bottom plan view thereof;
 FIG. 13 is a perspective view of a second alternate embodiment of our new design;
 FIG. 14 is a front elevational view thereof;
 FIG. 15 is a rear elevational view thereof;
 FIG. 16 is a right side elevational view thereof, the left side being a mirror image thereof;
 FIG. 17 is a top plan view thereof; and,
 FIG. 18 is a bottom plan view thereof.



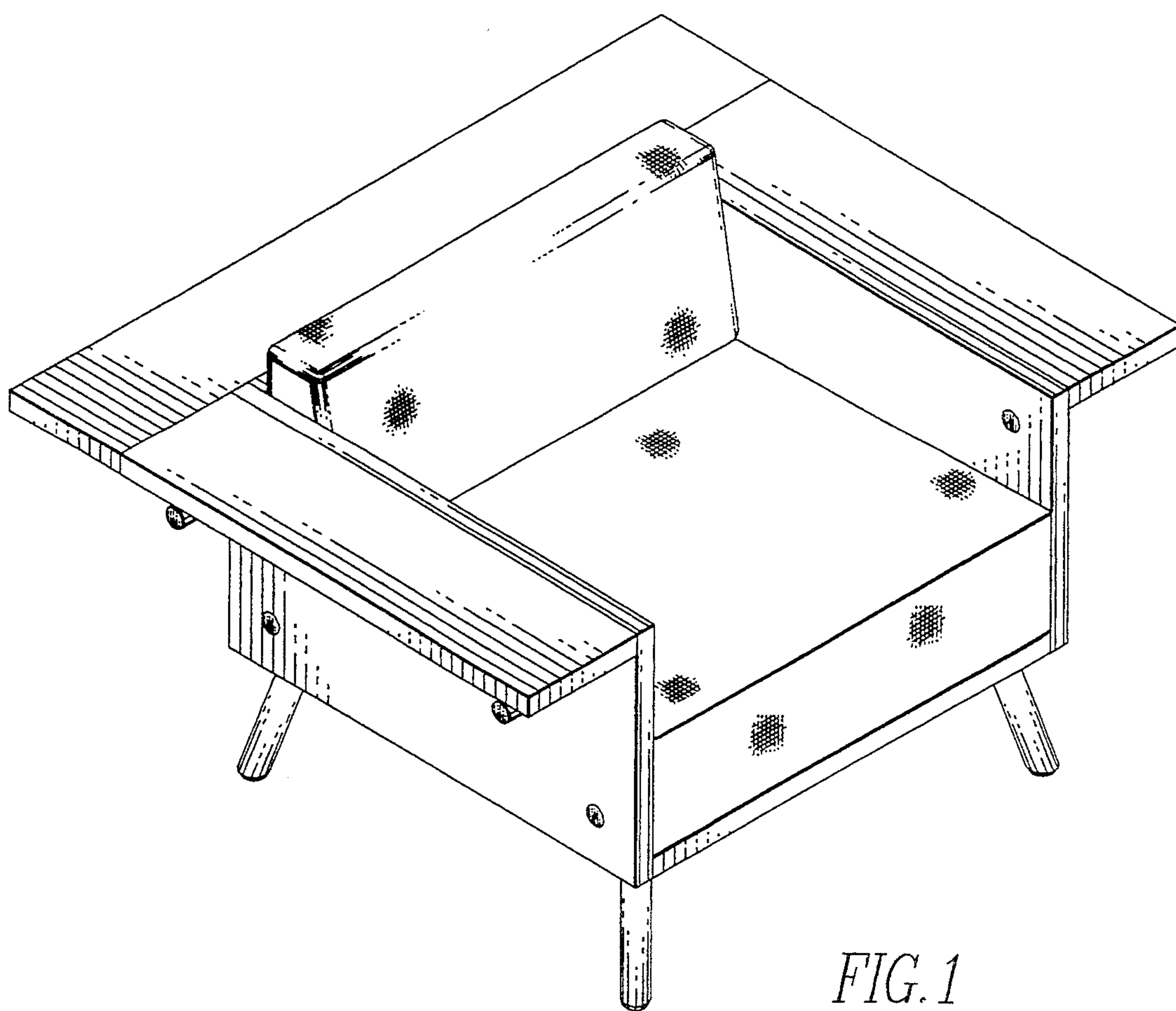


FIG. 1

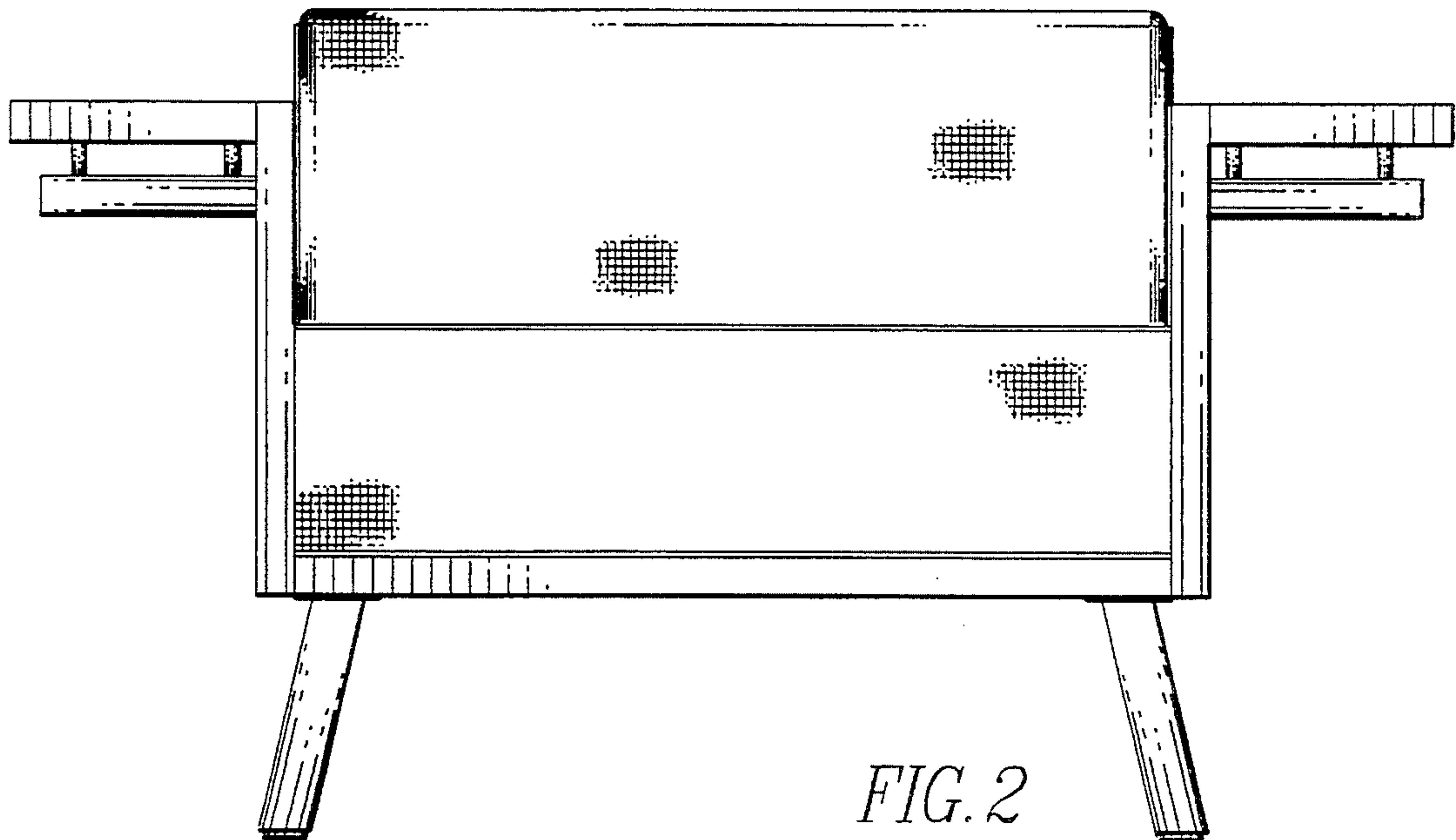


FIG. 2

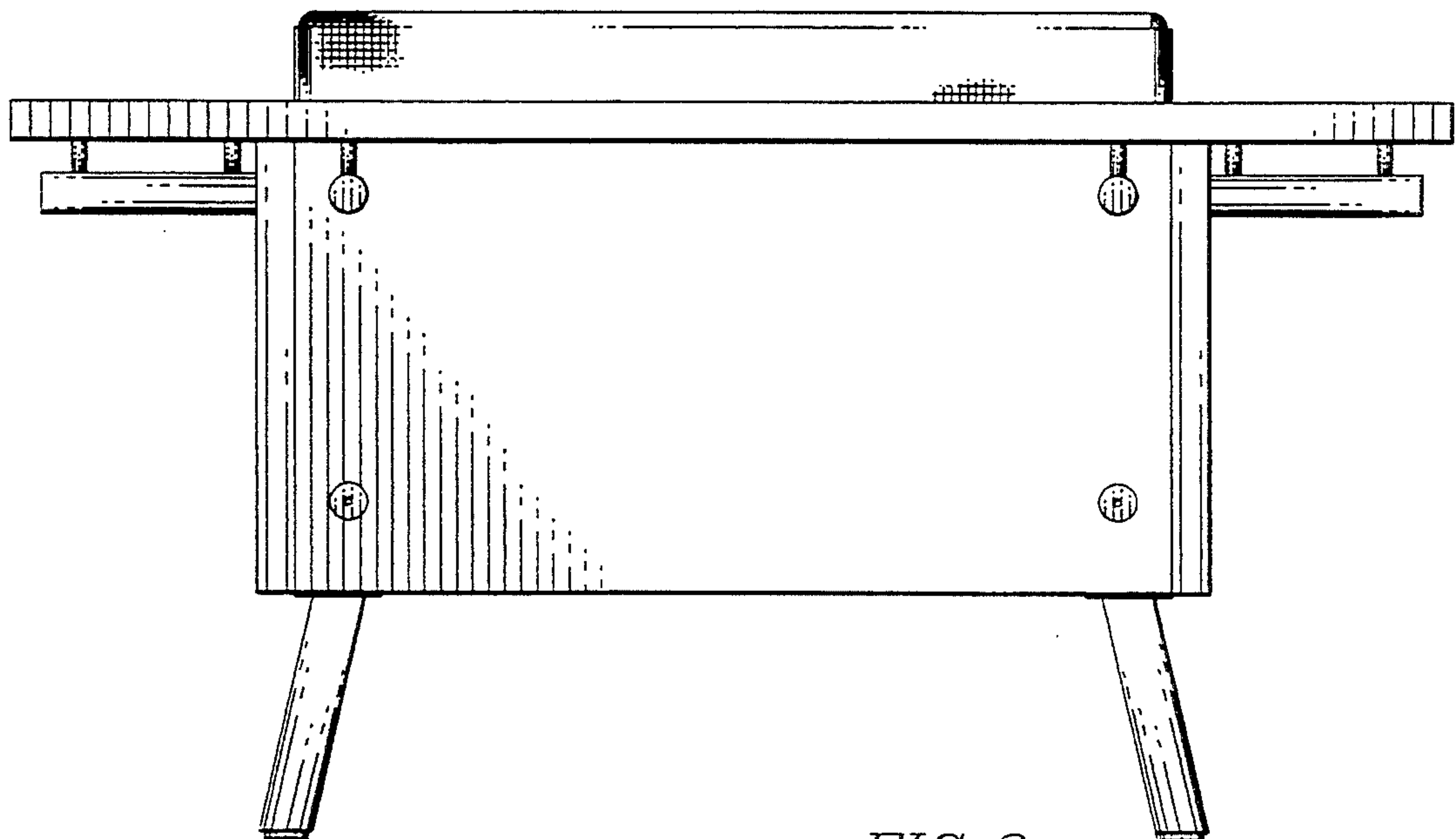


FIG. 3

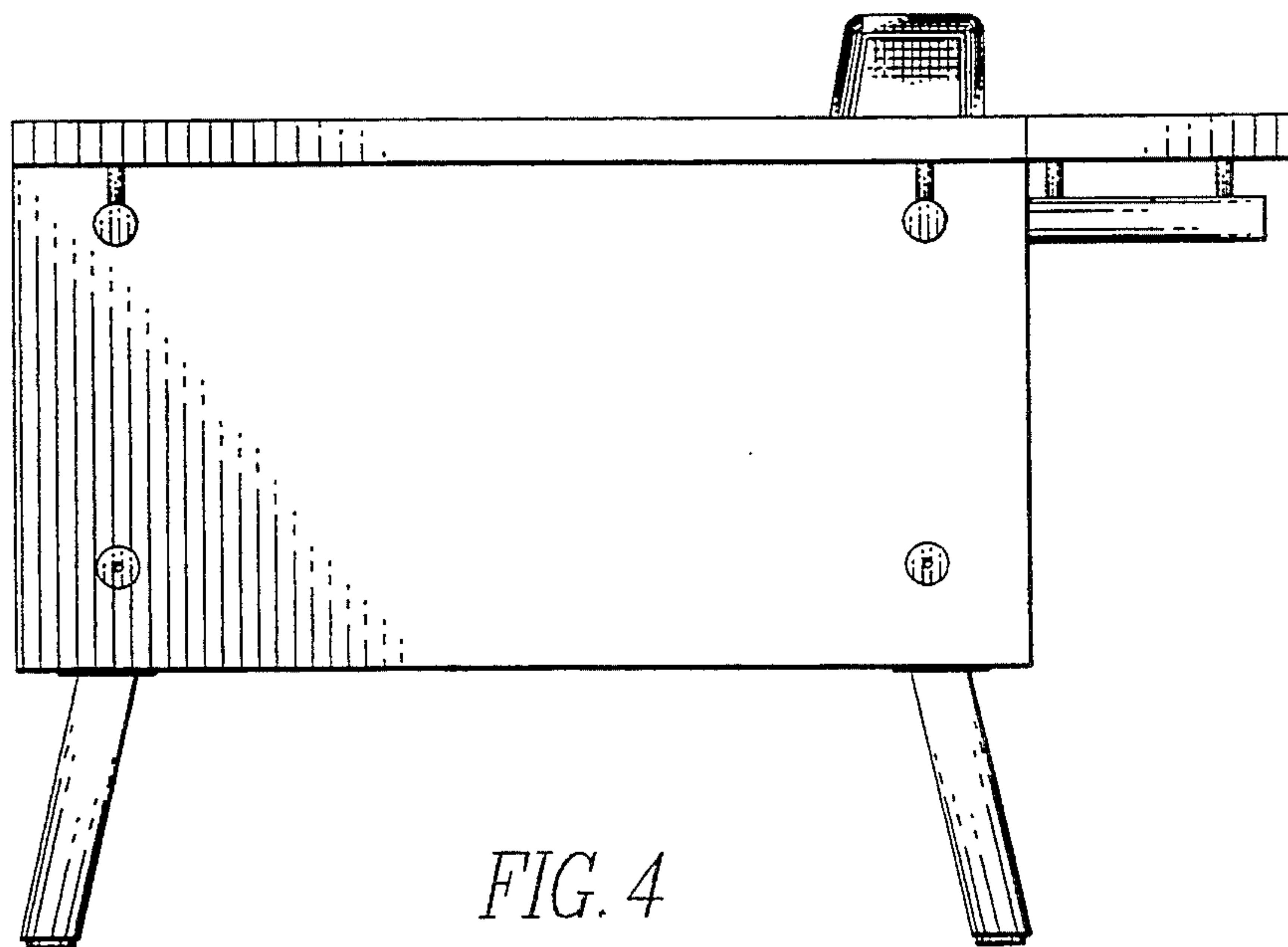


FIG. 4

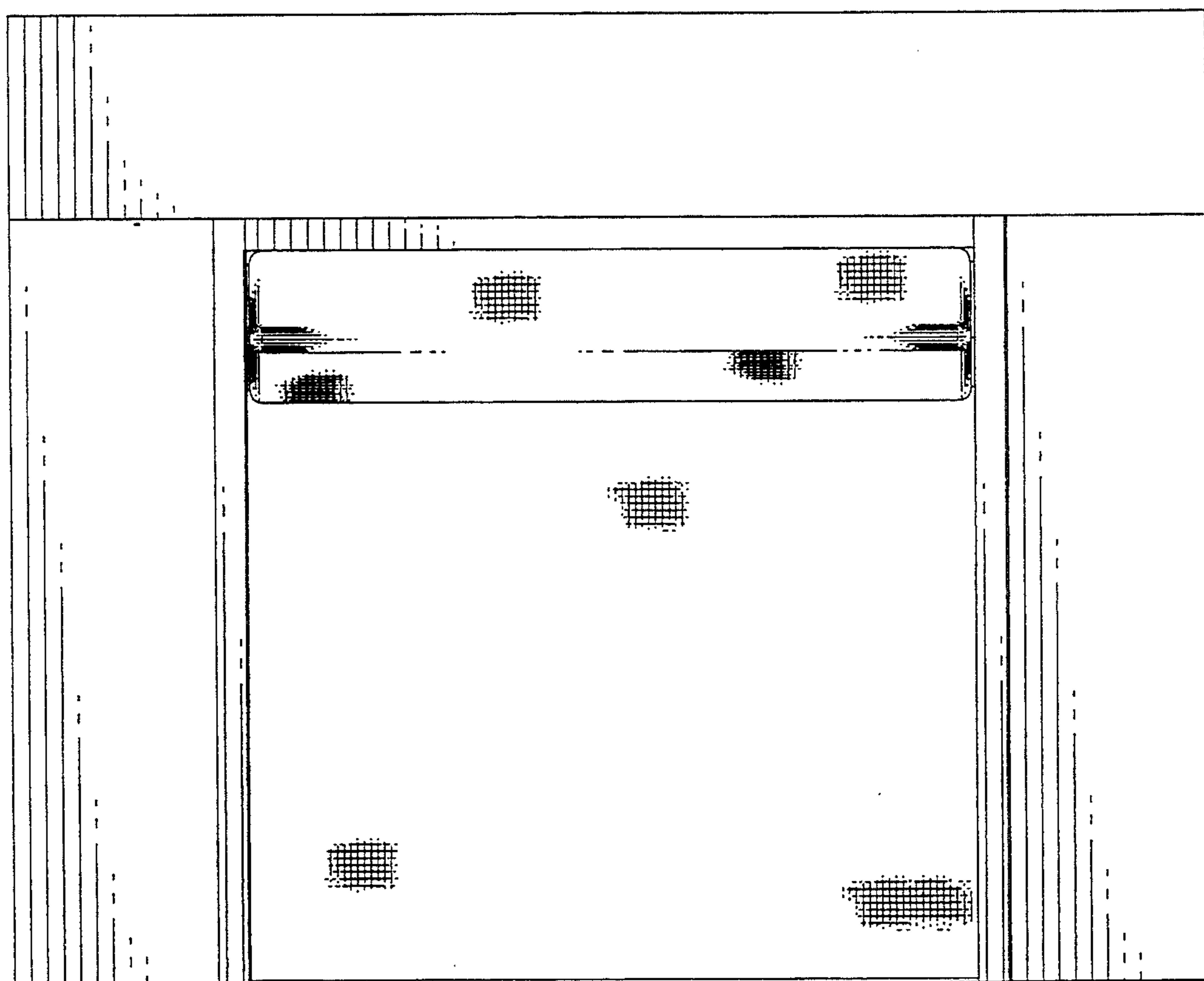


FIG. 5

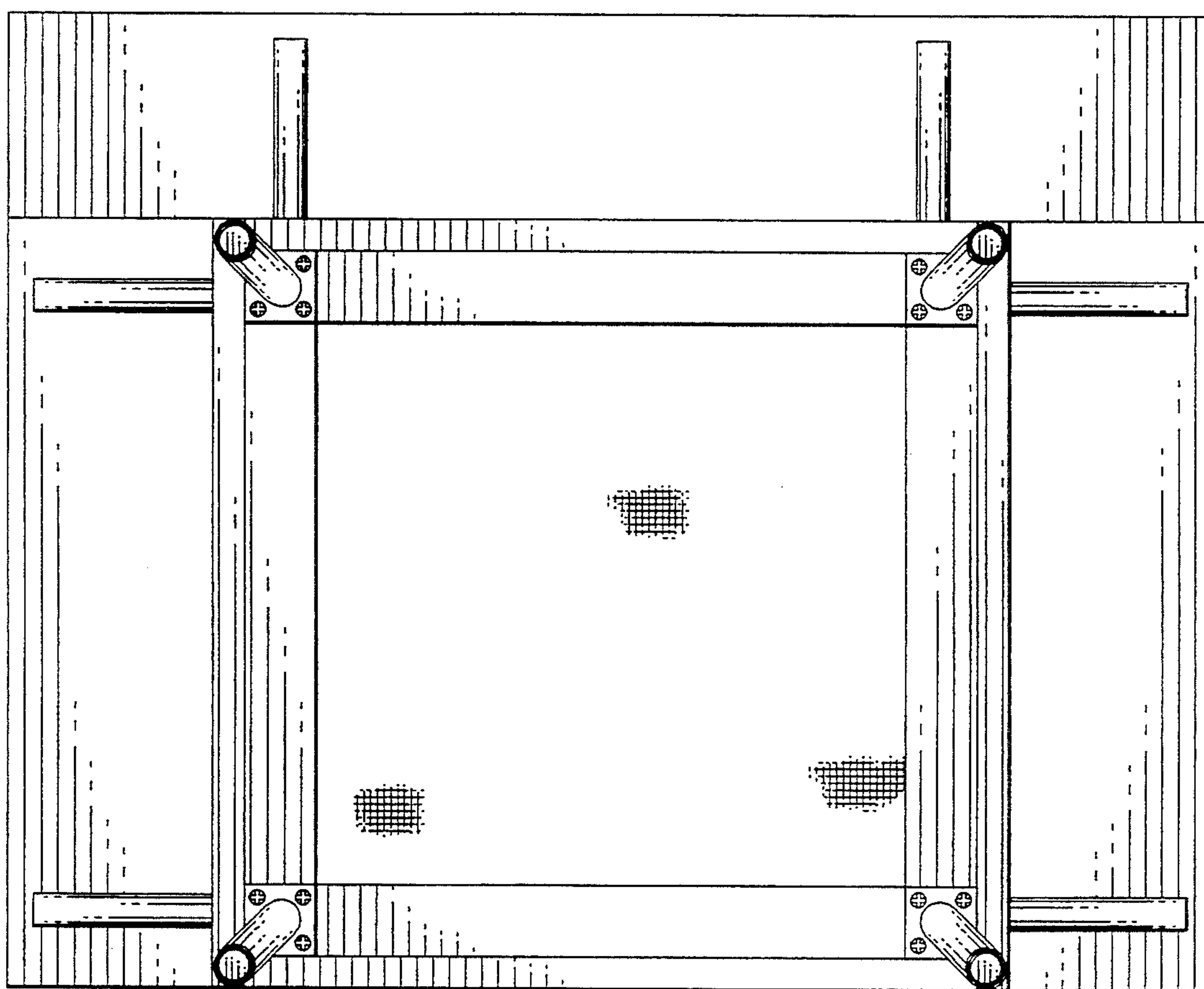
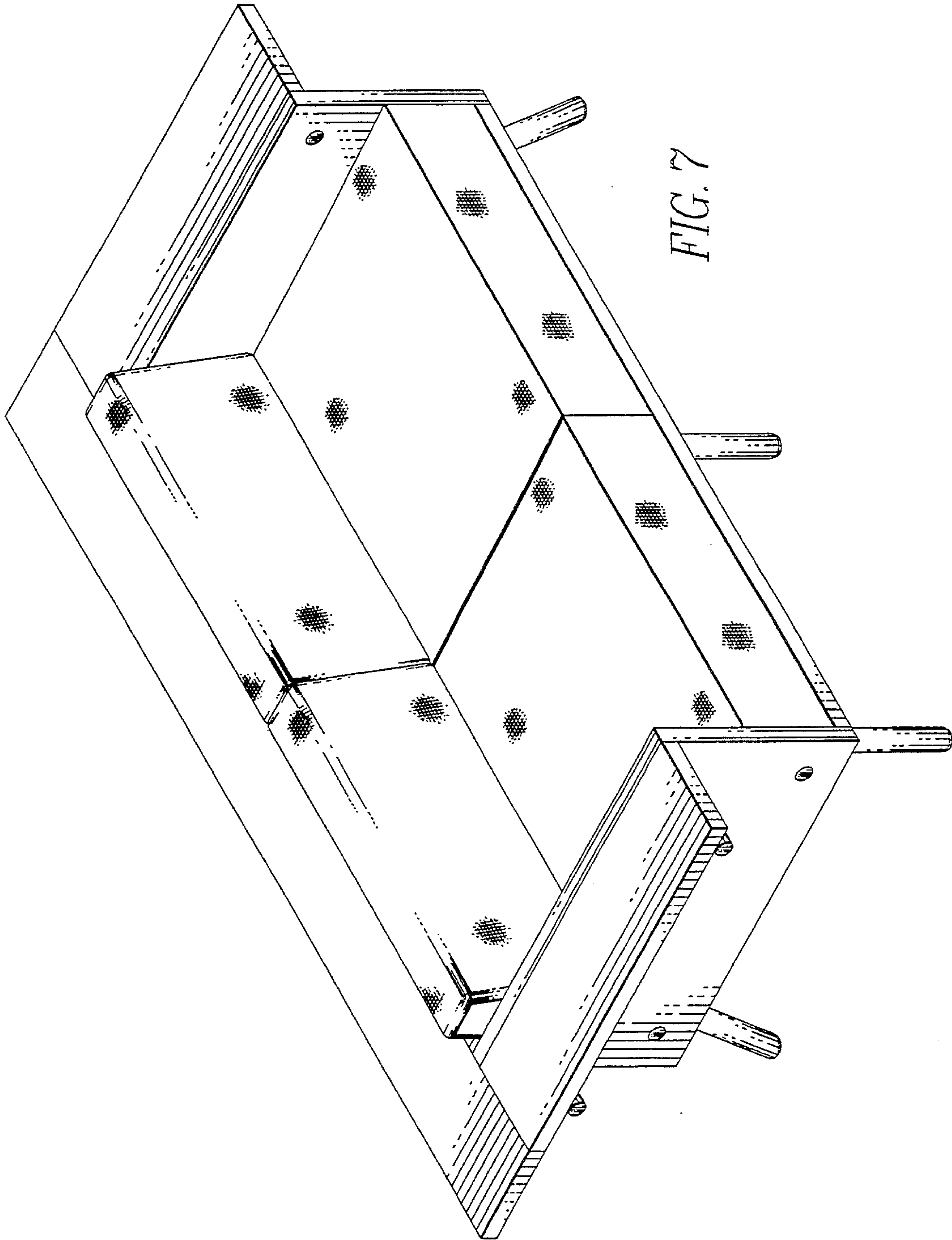


FIG. 6



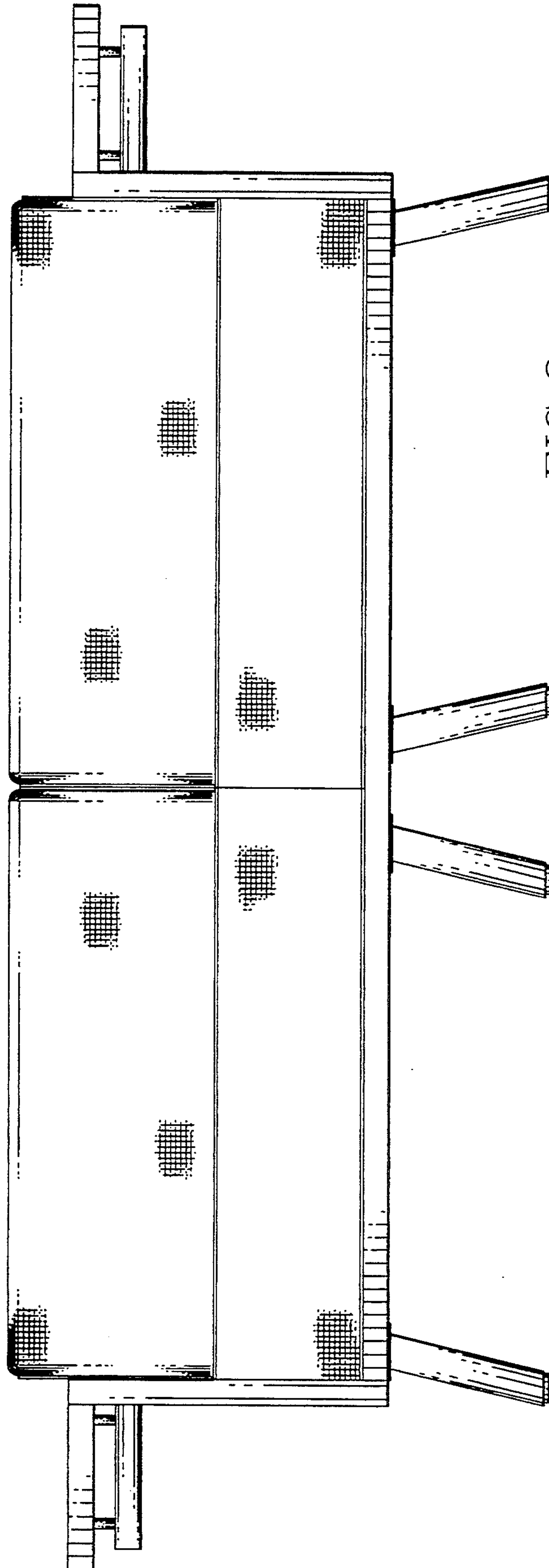


FIG. 8

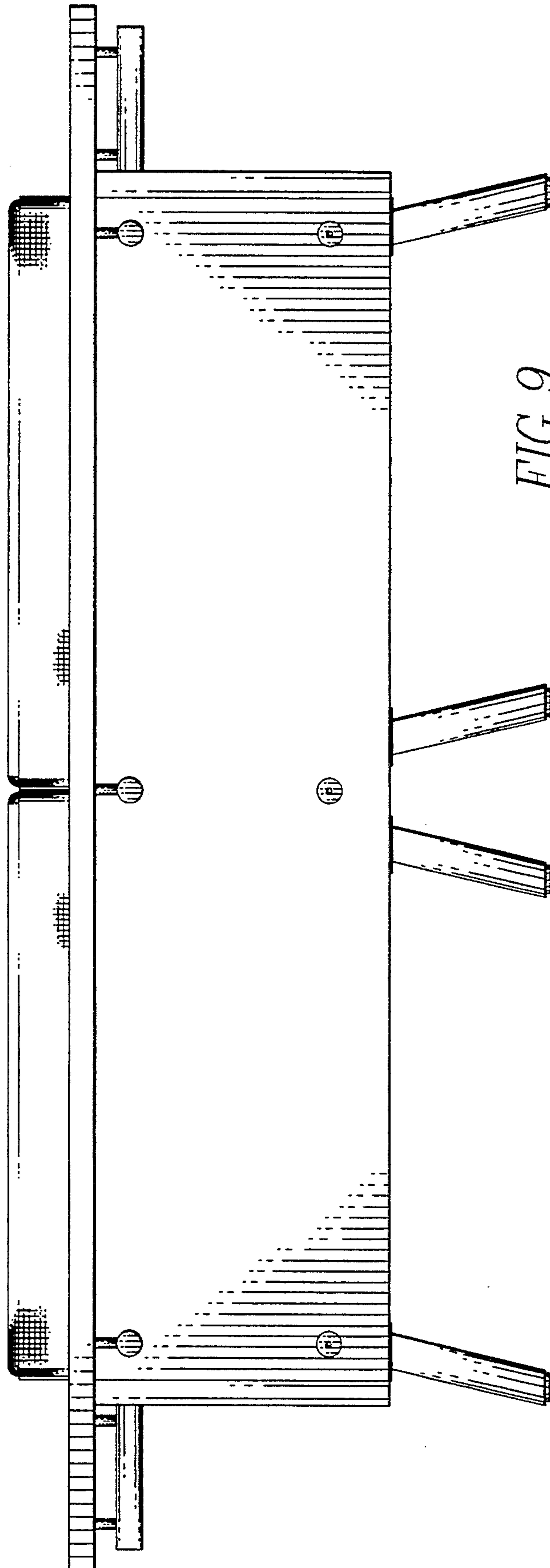


FIG. 9

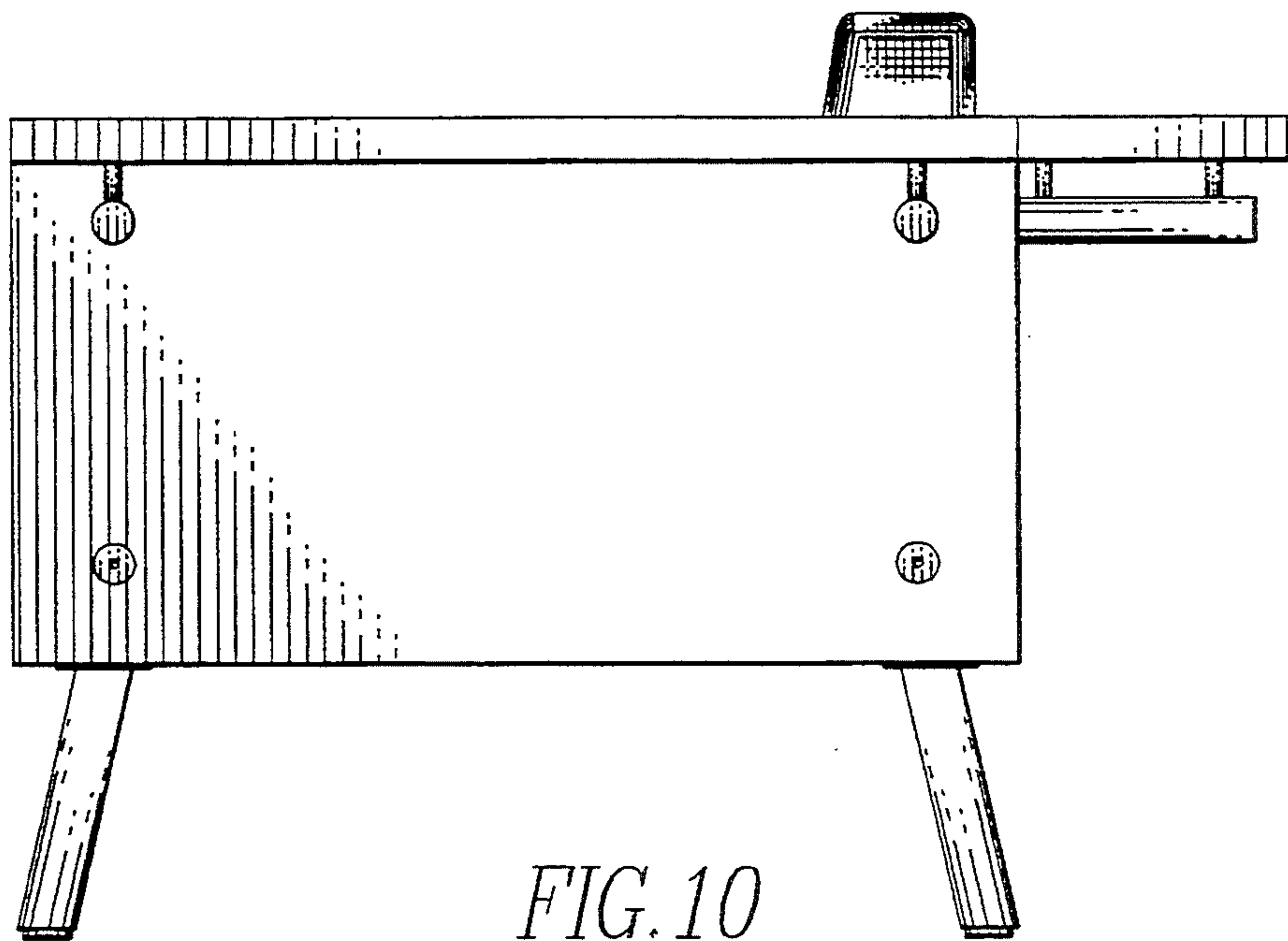


FIG. 10

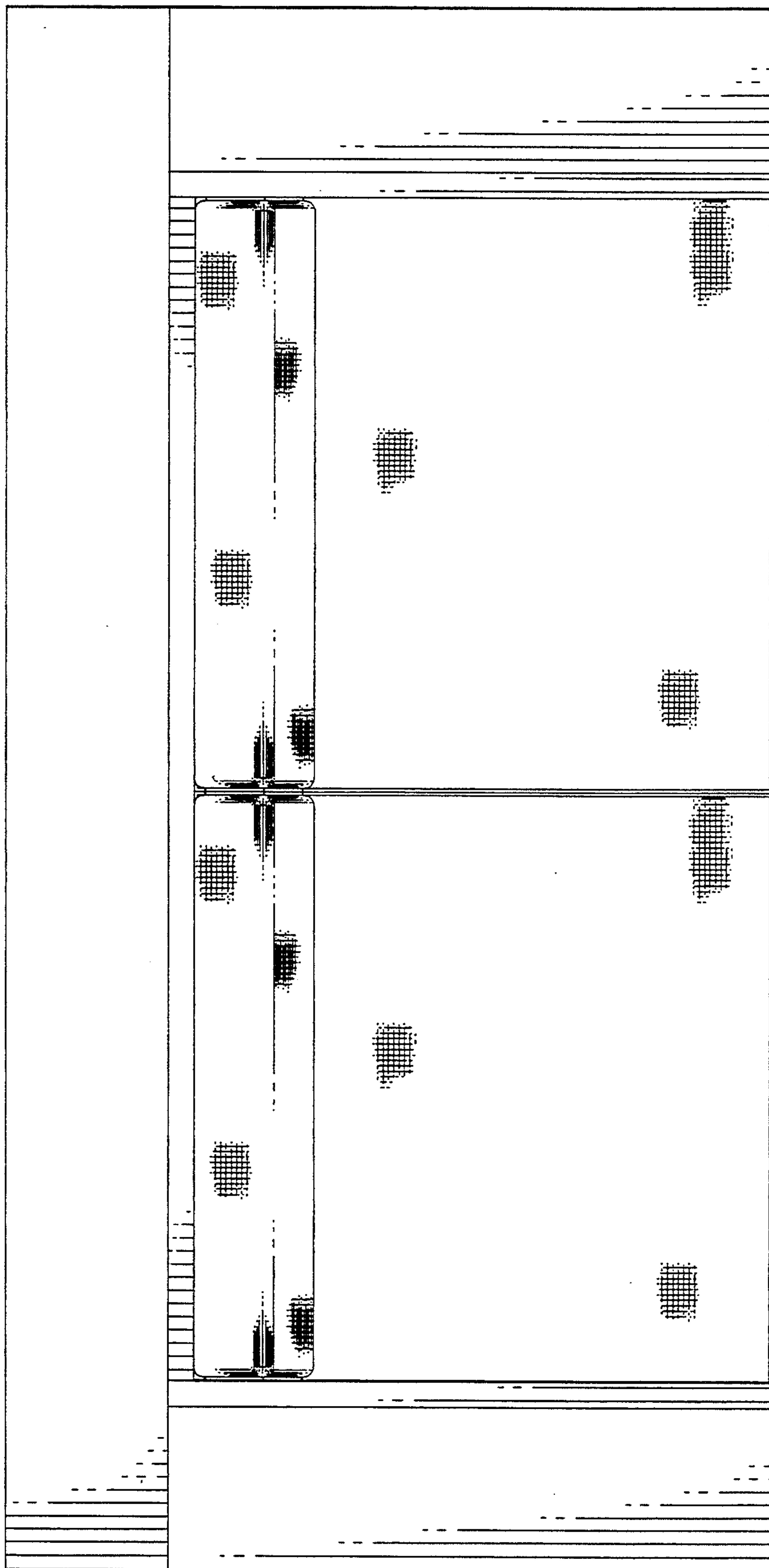


FIG. 11

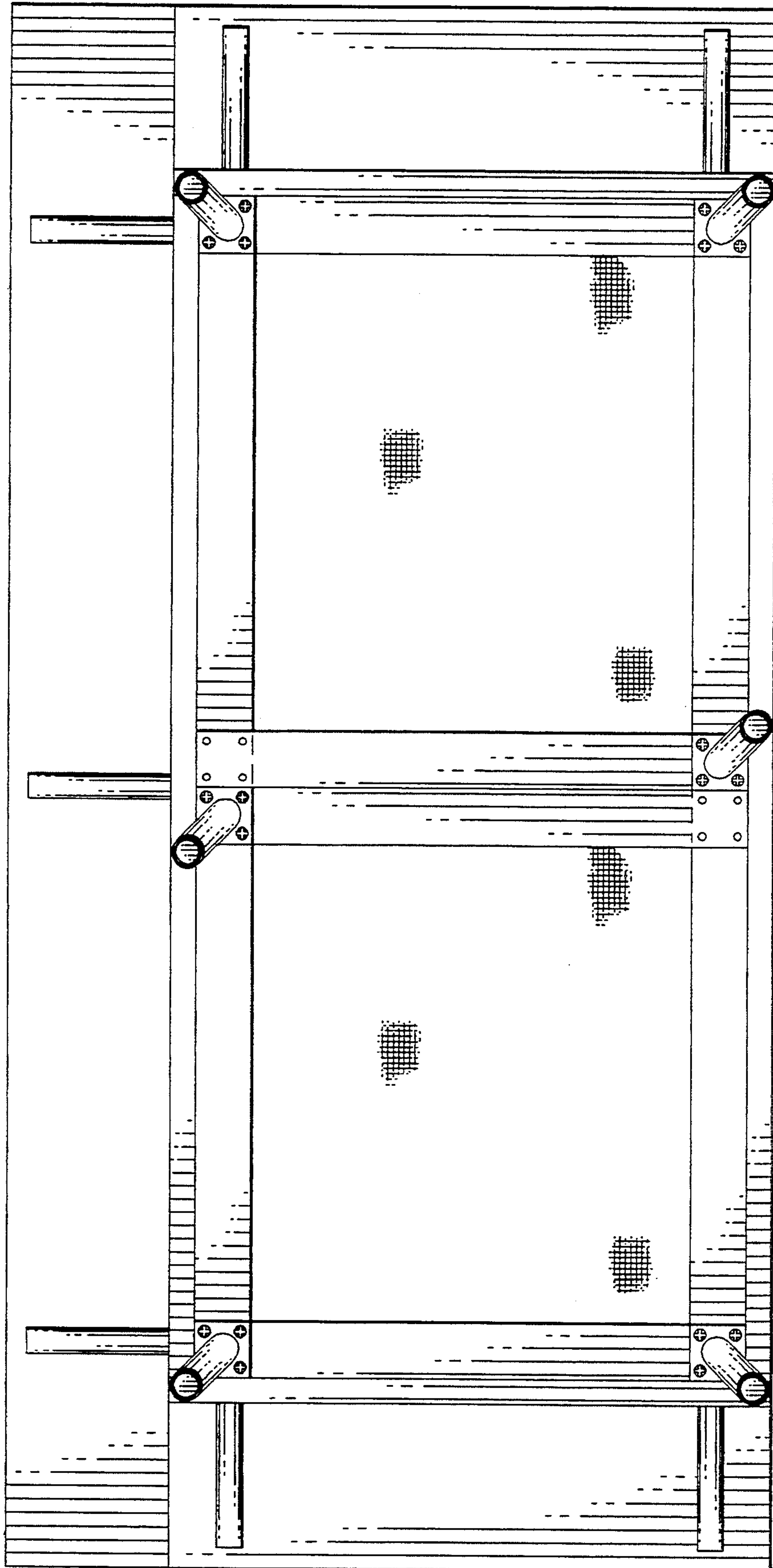


FIG. 12

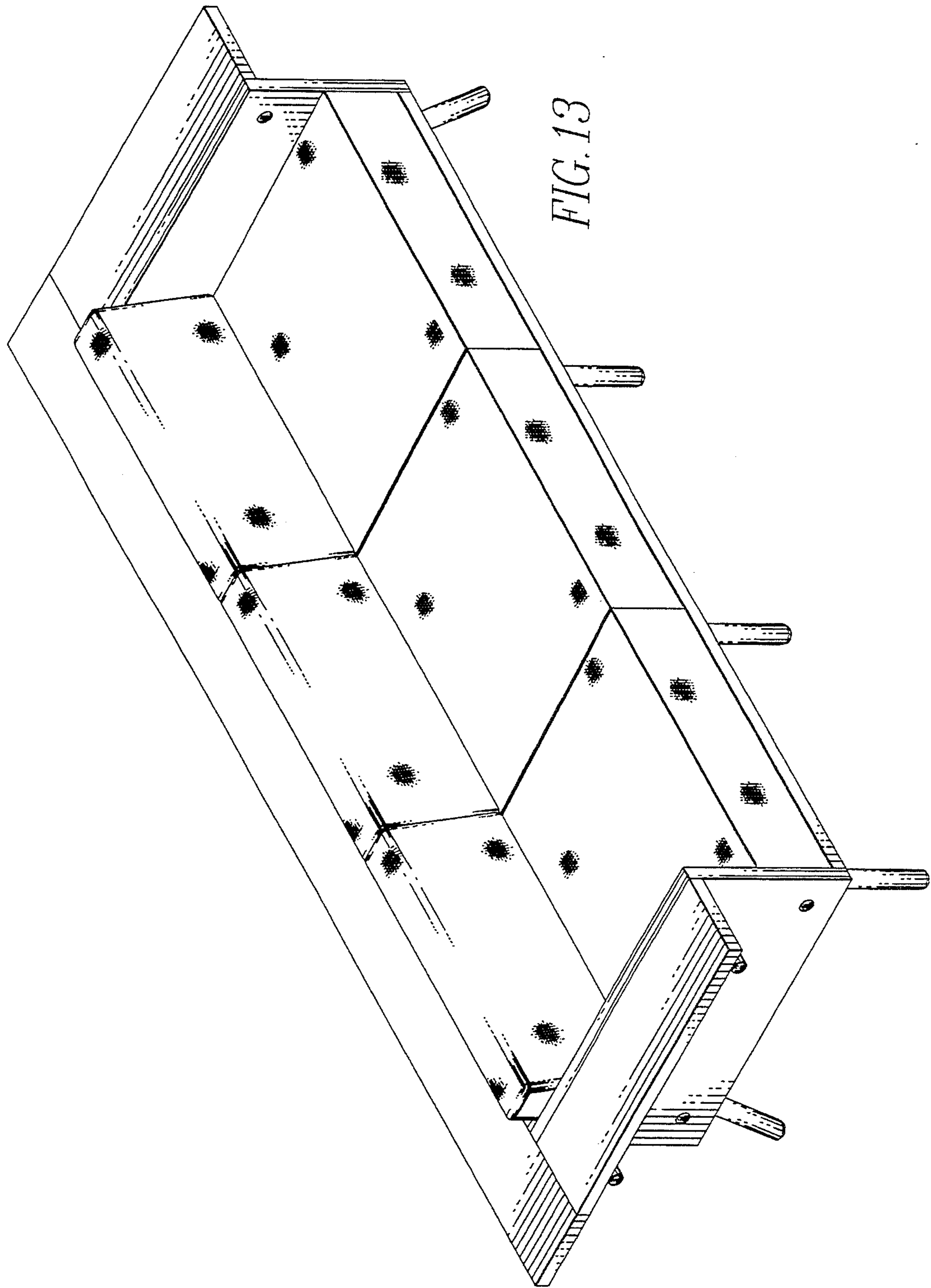


FIG. 13

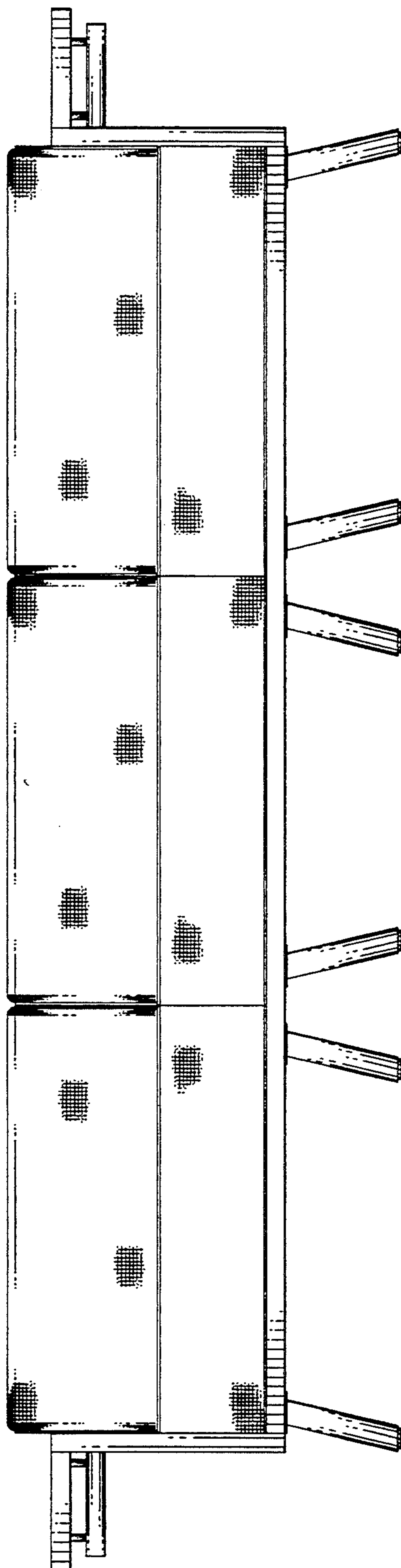
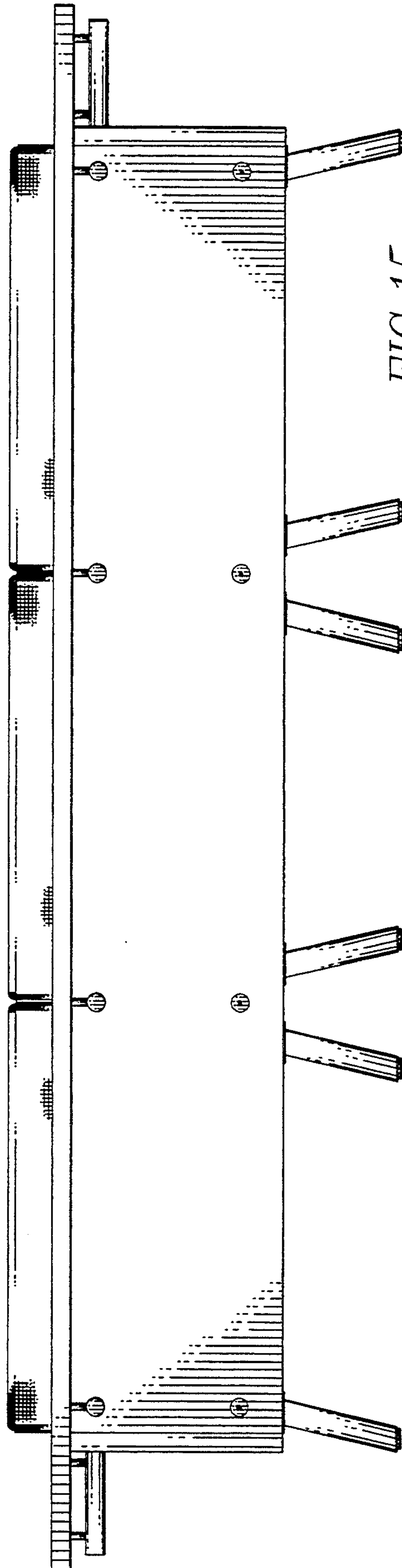


FIG. 14



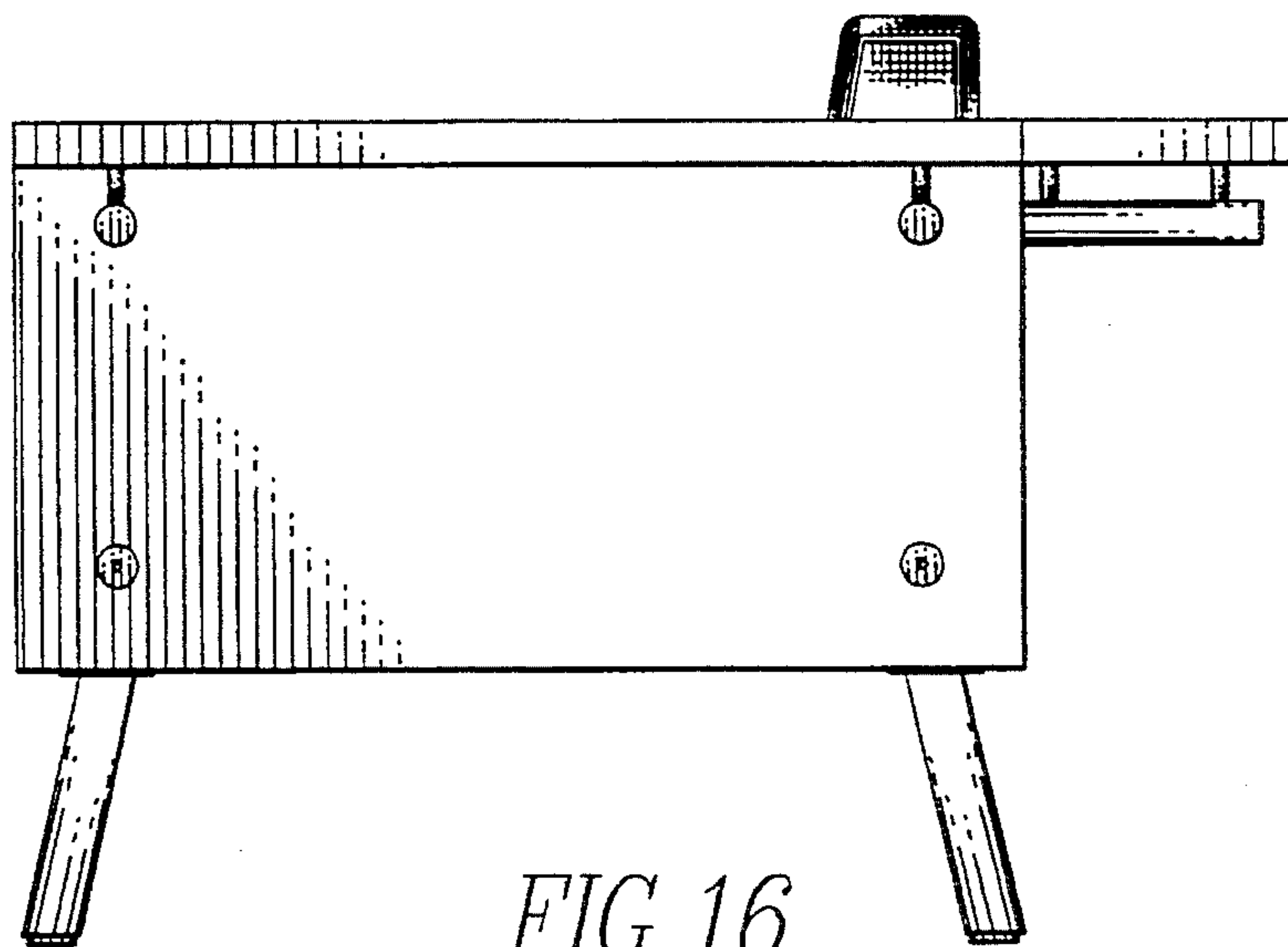


FIG. 16

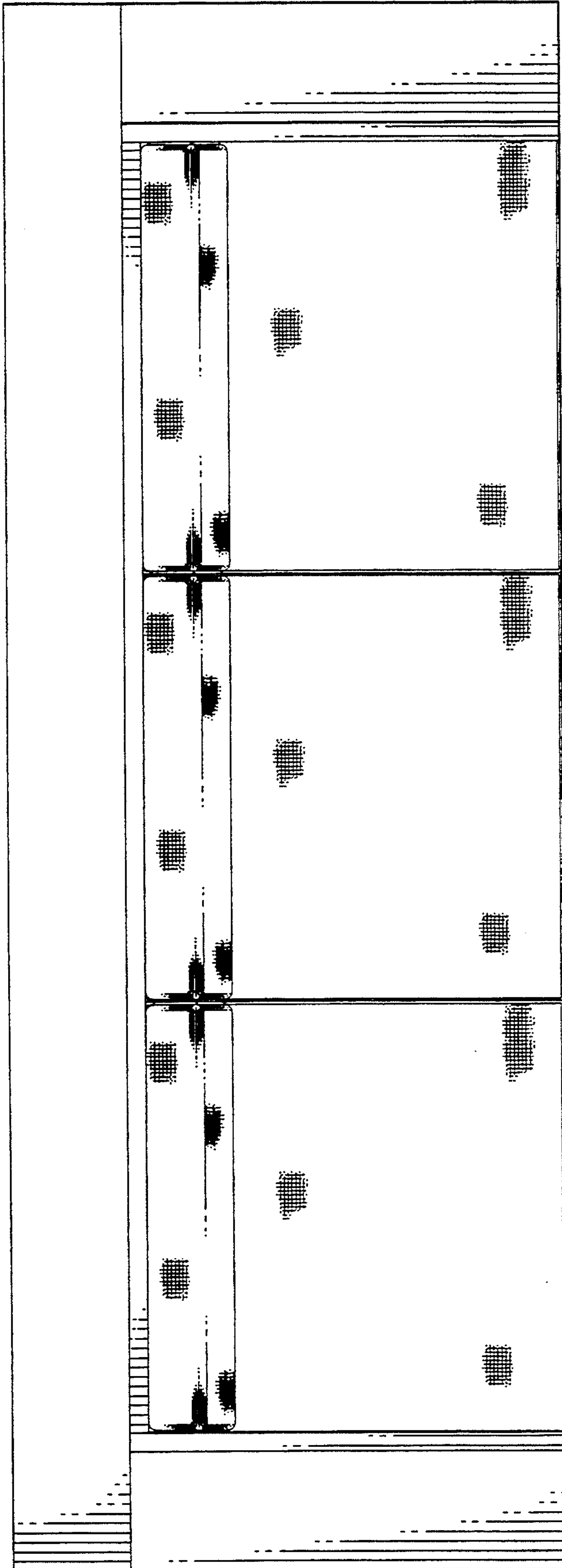


FIG. 17

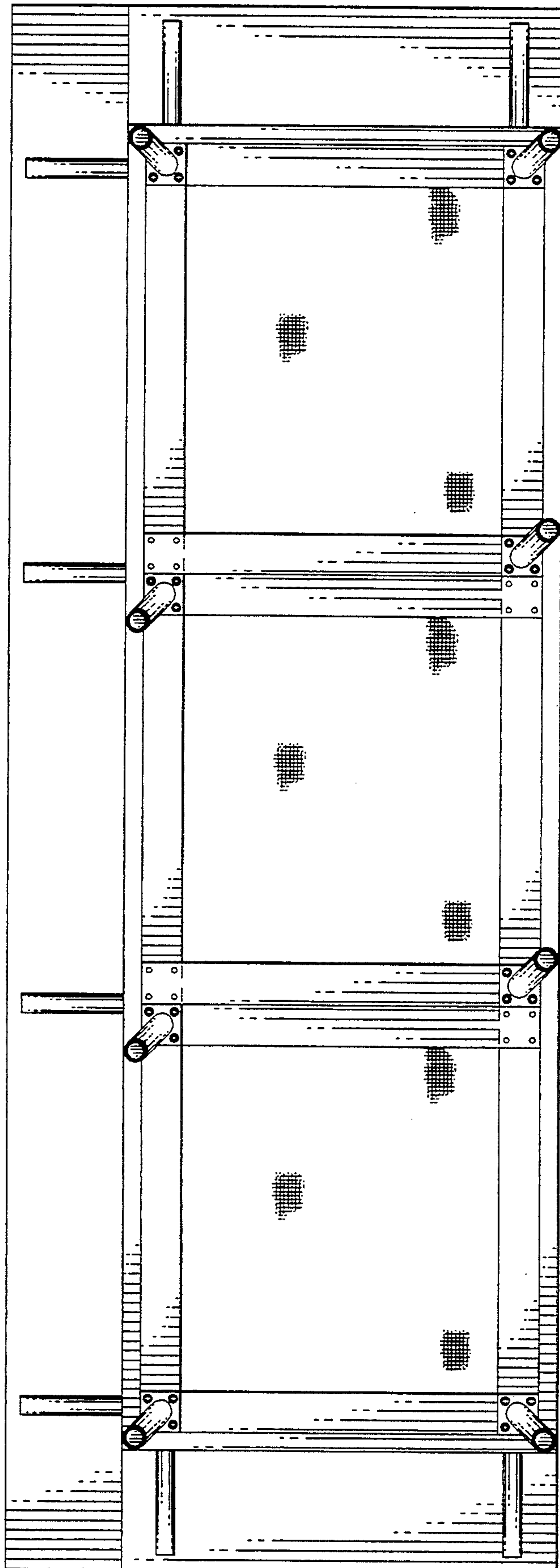


FIG. 18