



US00D360310S

United States Patent [19]

[11] Patent Number: **Des. 360,310**

Stamberg et al.

[45] Date of Patent: **** Jul. 18, 1995**

[54] LOUNGE SEATING

[75] Inventors: **Peter Stamberg; Paul Aferiat**, both of New York, N.Y.

[73] Assignee: **Westinghouse Electric Corp.**, Pittsburgh, Pa.

[**] Term: **14 Years**

[21] Appl. No.: **24,098**

[22] Filed: **Jun. 8, 1994**

[52] U.S. Cl. **D6/334; D6/381**

[58] Field of Search **D6/334, 335, 336, 364, D6/371, 373, 381, 500, 501, 502; 297/232, 445, 446**

[56] References Cited

U.S. PATENT DOCUMENTS

D. 220,997	6/1971	Svezia et al.	D6/335
D. 222,051	9/1971	Shannon	D6/381
D. 234,731	4/1975	McDonald	D6/371
D. 239,580	4/1976	Robertson et al.	D6/381
D. 244,328	5/1977	Heumann	D6/334

OTHER PUBLICATIONS

Selig Imperial, p. L6B, sofa #741-95B shown.

Selig Imperial, p. L60C, chair #R947-19 shown.

Primary Examiner—Alan P. Douglas

Assistant Examiner—Gary D. Watson

Attorney, Agent, or Firm—Carla J. Vrsansky

[57] CLAIM

The ornamental design for lounge seating, as shown and described.

DESCRIPTION

FIG. 1 is a perspective view of lounge seating showing our new design;

FIG. 2 is a front elevational view thereof;

FIG. 3 is a rear elevational view thereof;

FIG. 4 is a right side elevational view thereof, the left side being a mirror image thereof;

FIG. 5 is a top plan view thereof;

FIG. 6 is a bottom plan view thereof;

FIG. 7 is a perspective view of an alternate embodiment of our new design;

FIG. 8 is a front elevational view thereof;

FIG. 9 is a rear elevational view thereof;

FIG. 10 is a right side elevational view thereof, the left side being a mirror image thereof;

FIG. 11 is a top plan view thereof;

FIG. 12 is a bottom plan view thereof;

FIG. 13 is a perspective view of a second alternate embodiment of our new design;

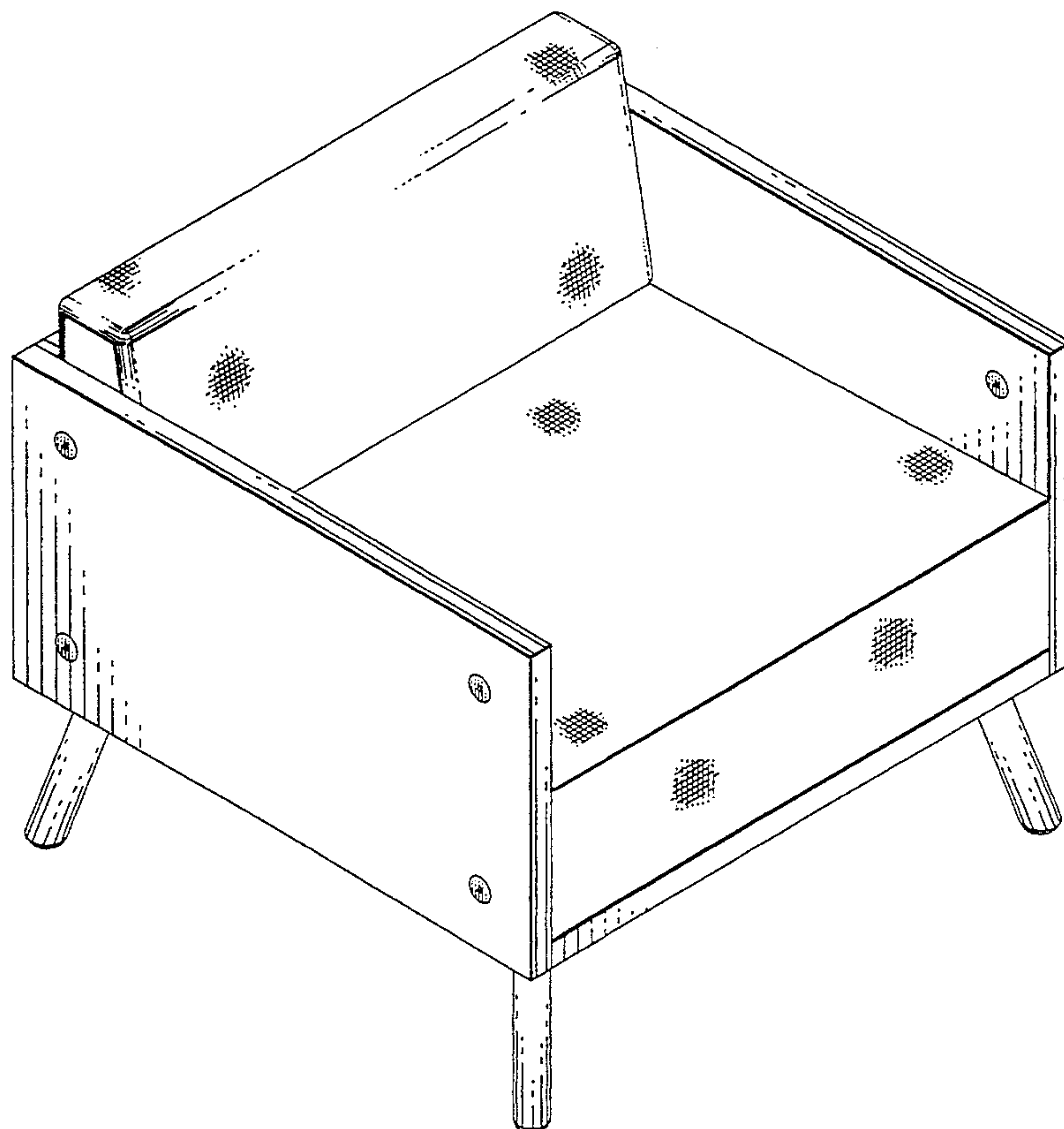
FIG. 14 is a front elevational view thereof;

FIG. 15 is a rear elevational view thereof;

FIG. 16 is a right side elevational view thereof, the left side being a mirror image thereof;

FIG. 17 is a top plan view thereof; and,

FIG. 18 is a bottom plan view thereof.



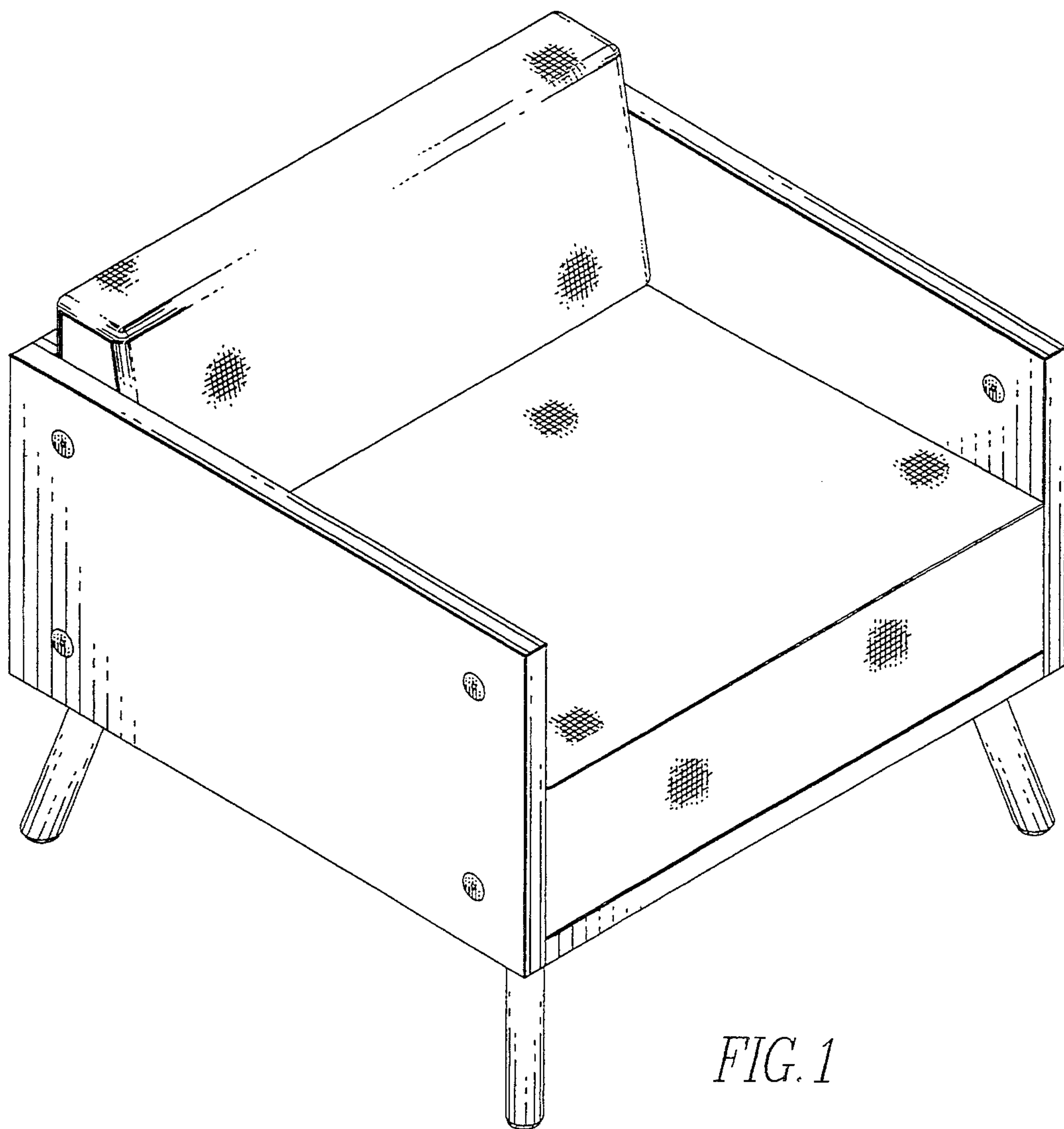


FIG. 1

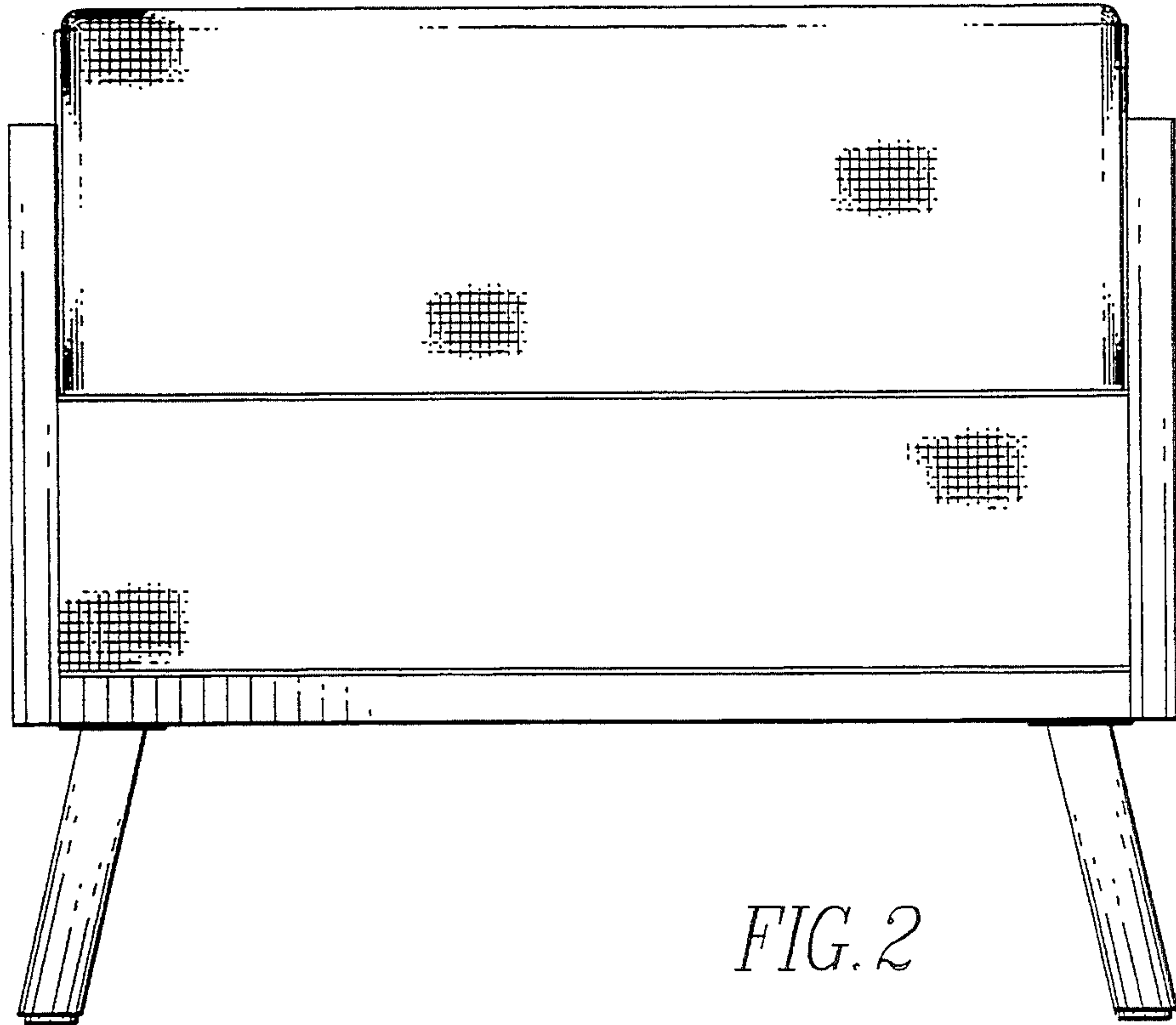


FIG. 2

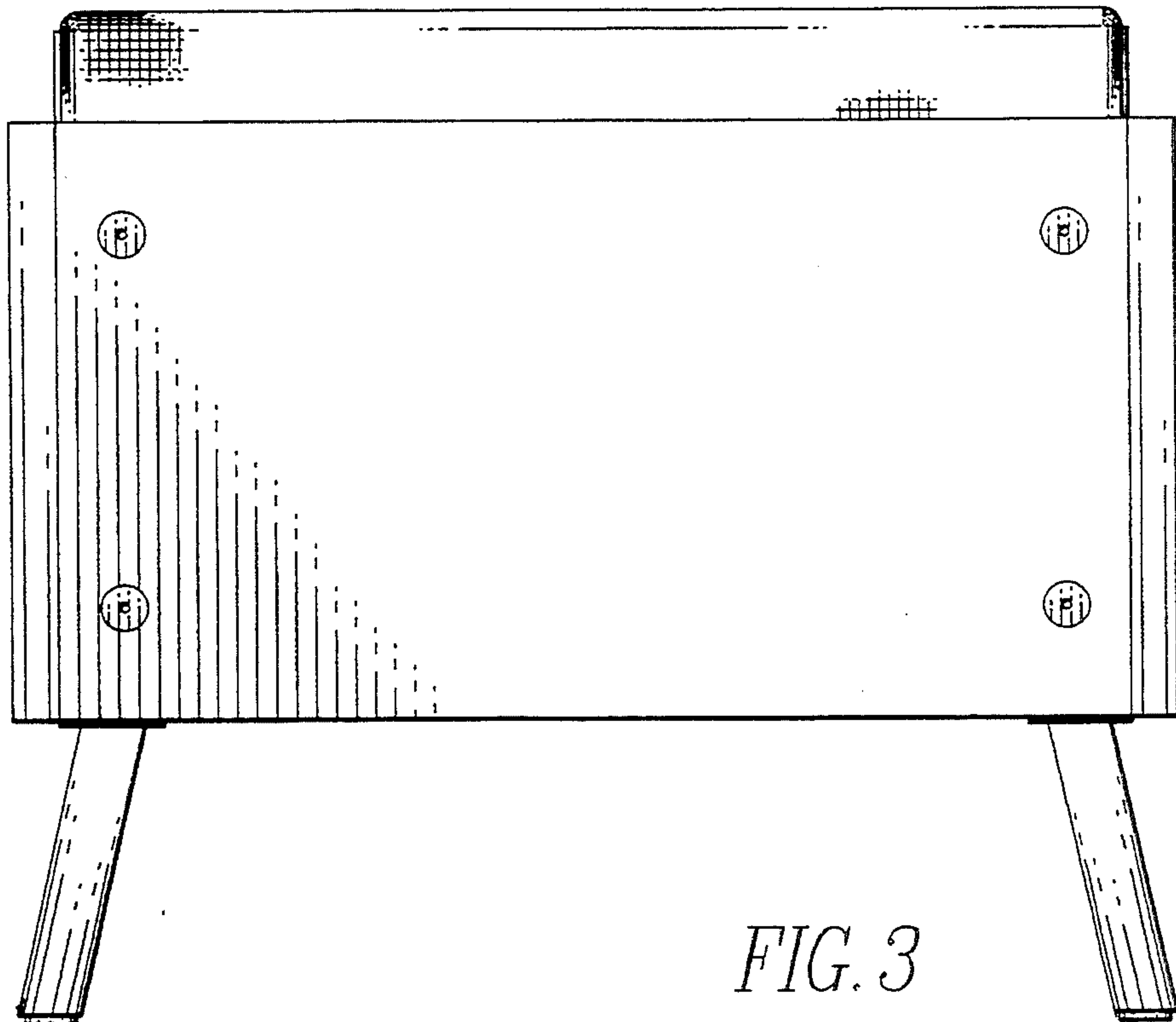


FIG. 3

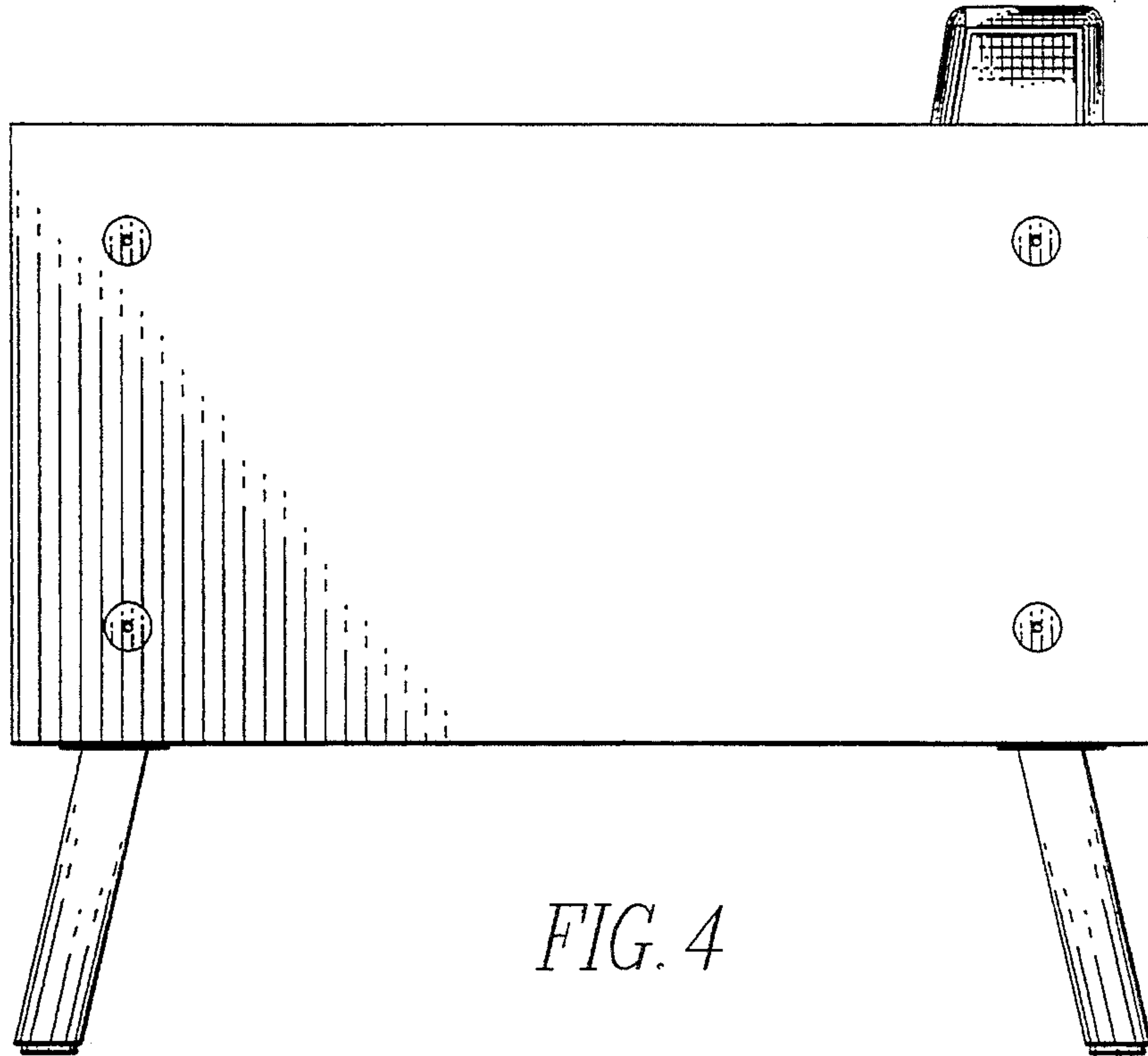


FIG. 4

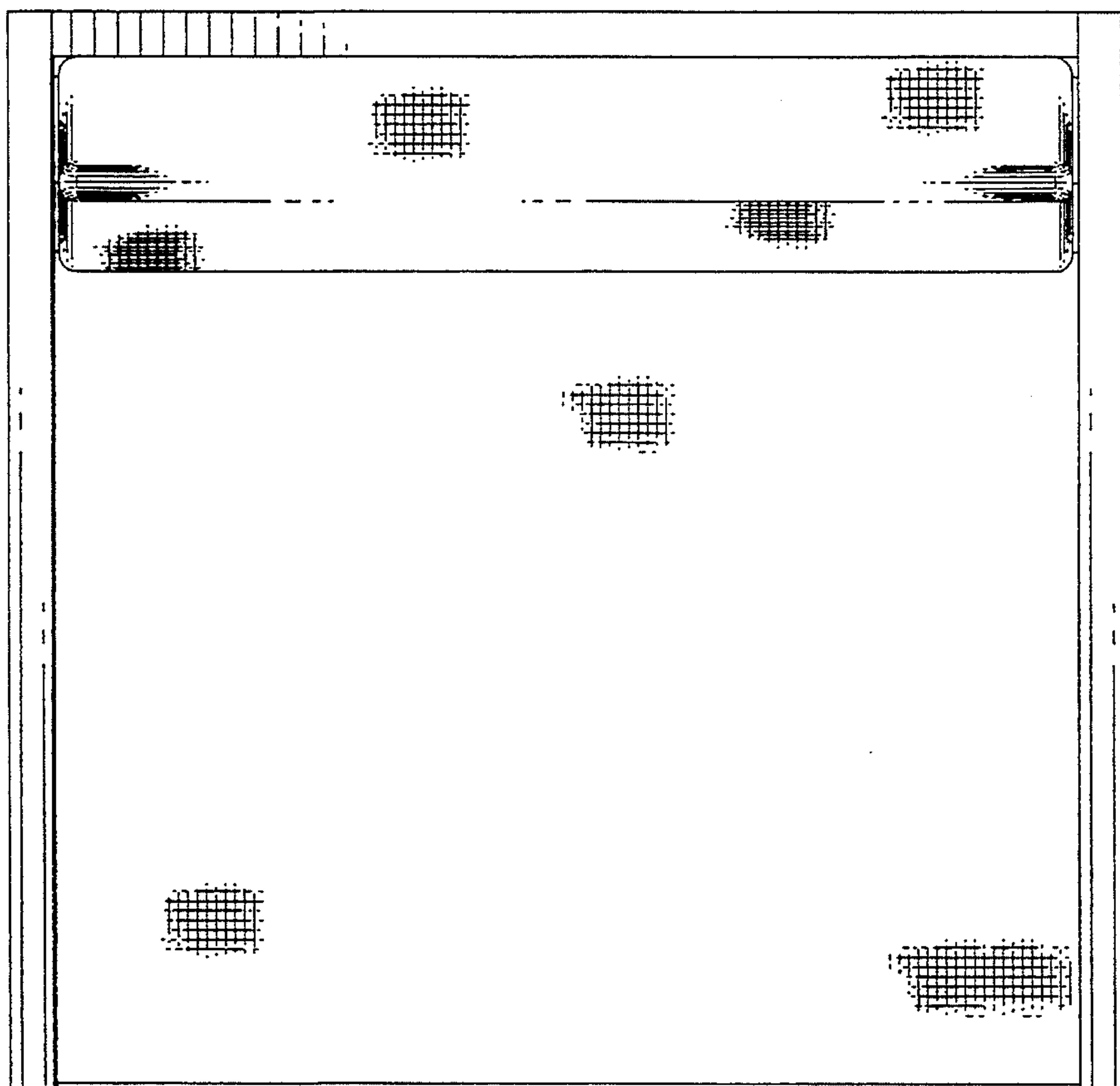


FIG. 5

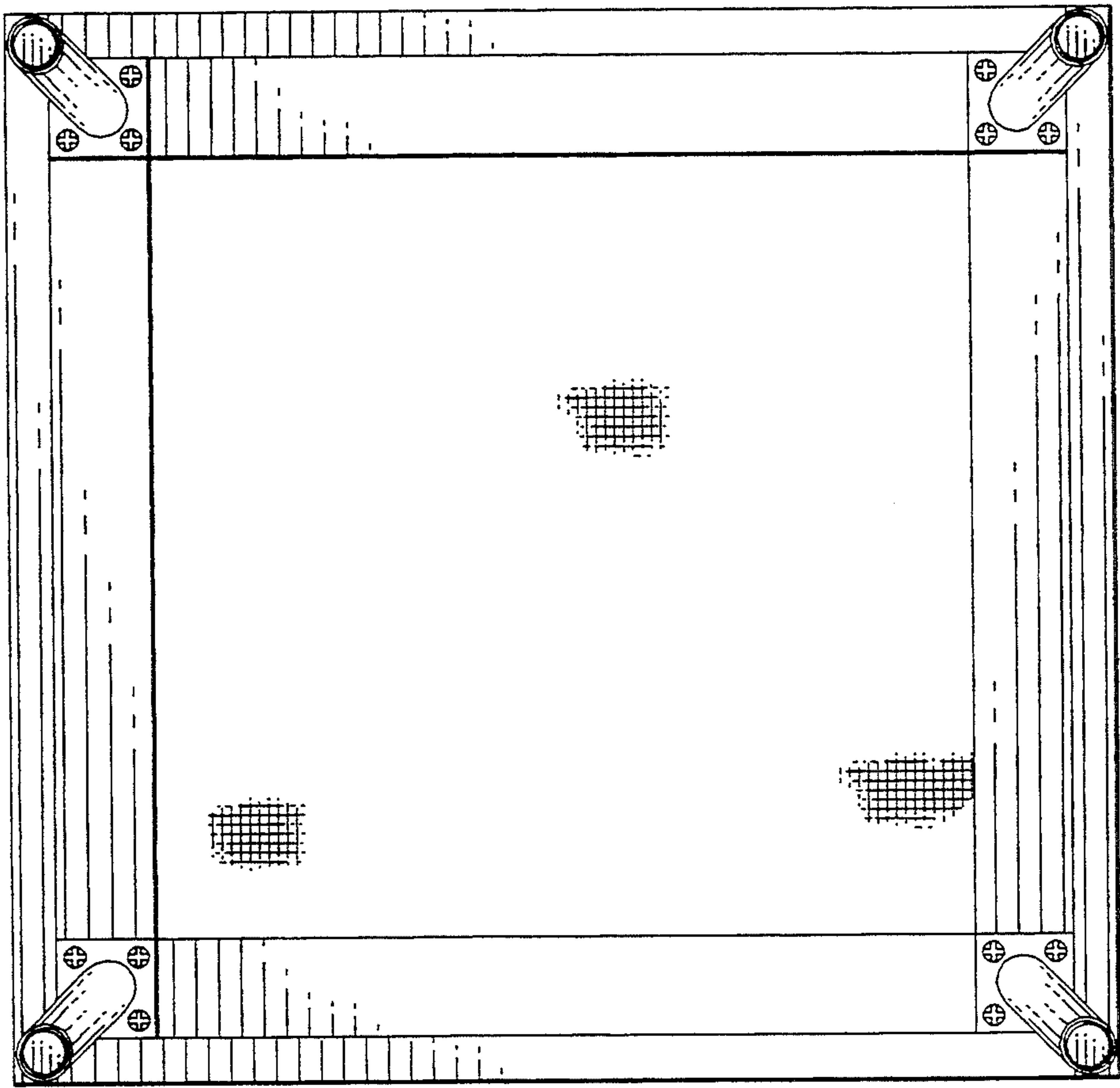
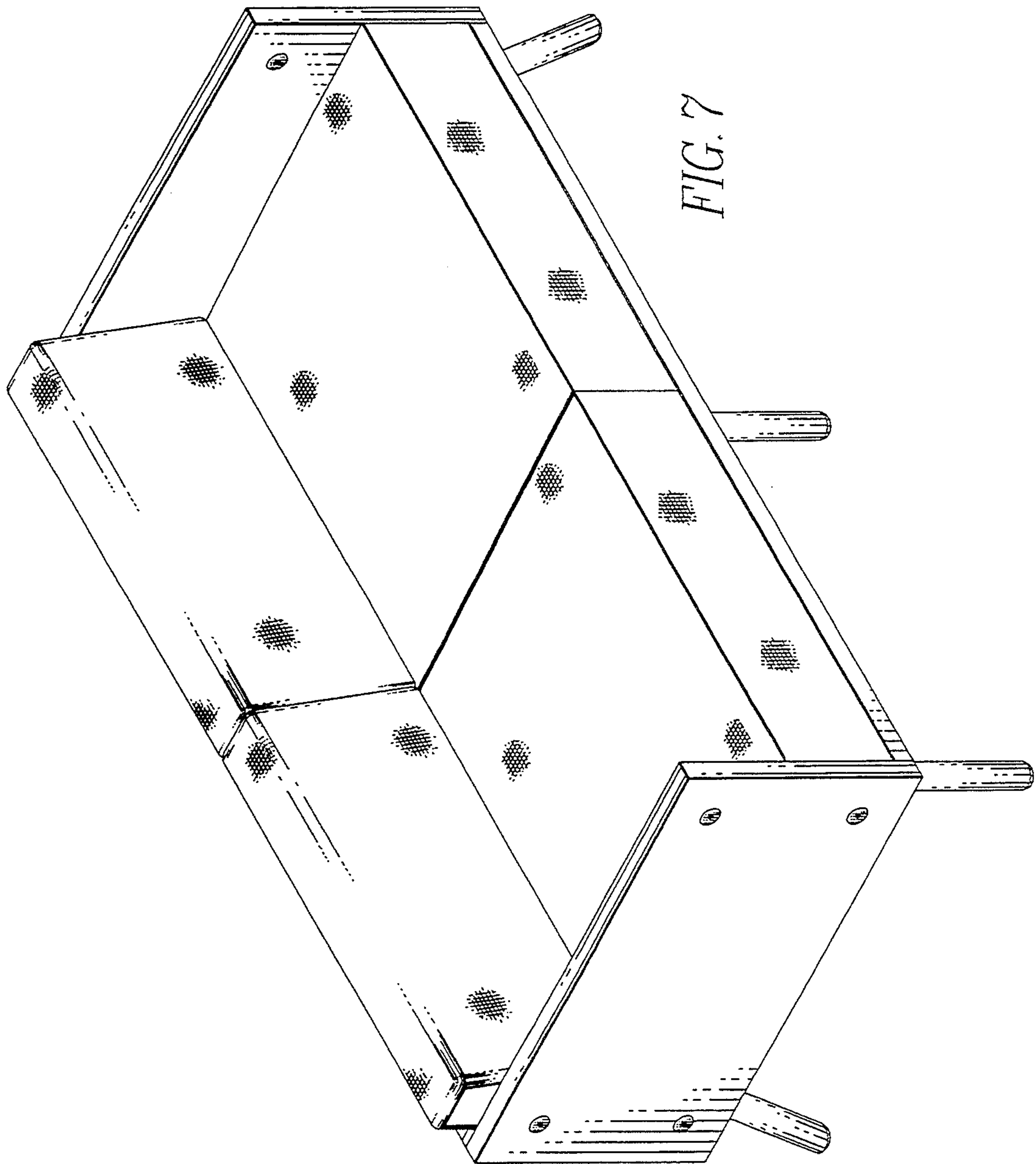


FIG. 6



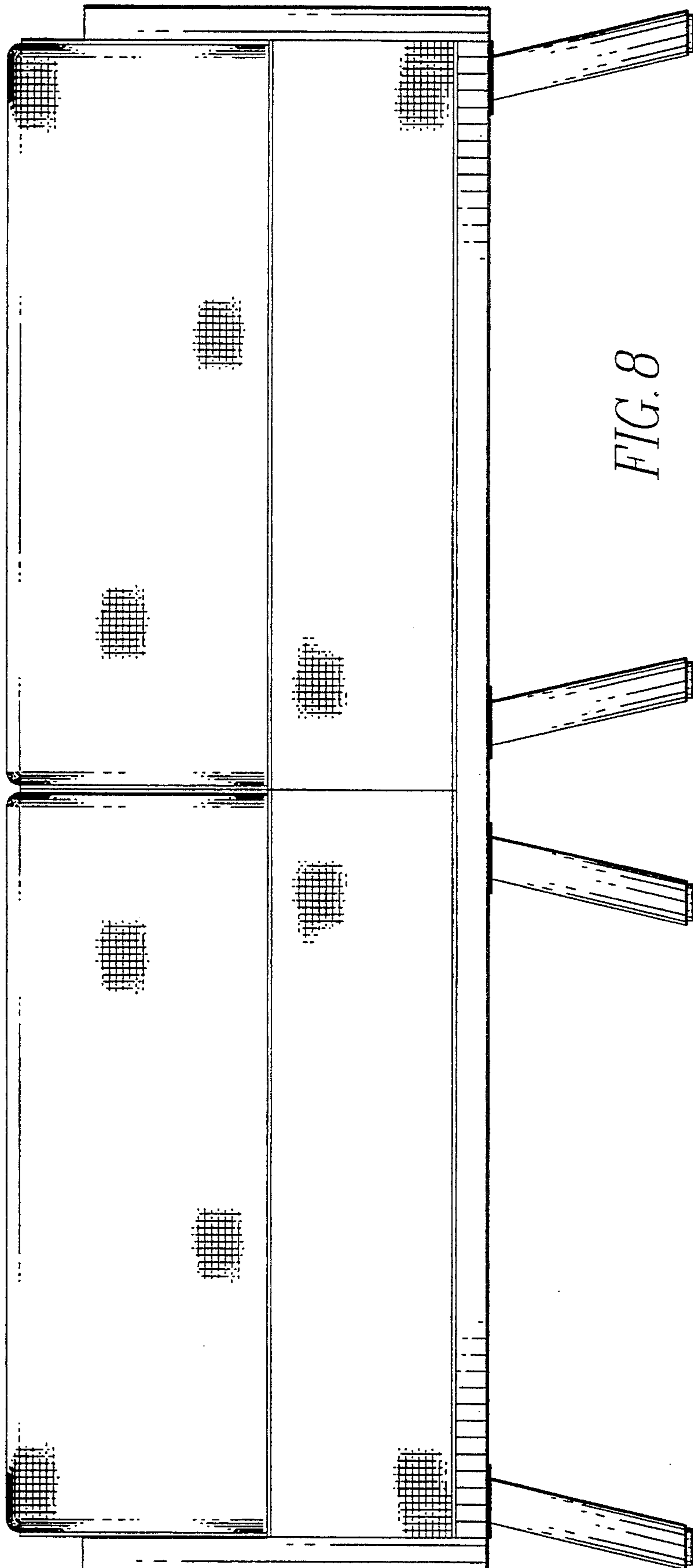


FIG. 8

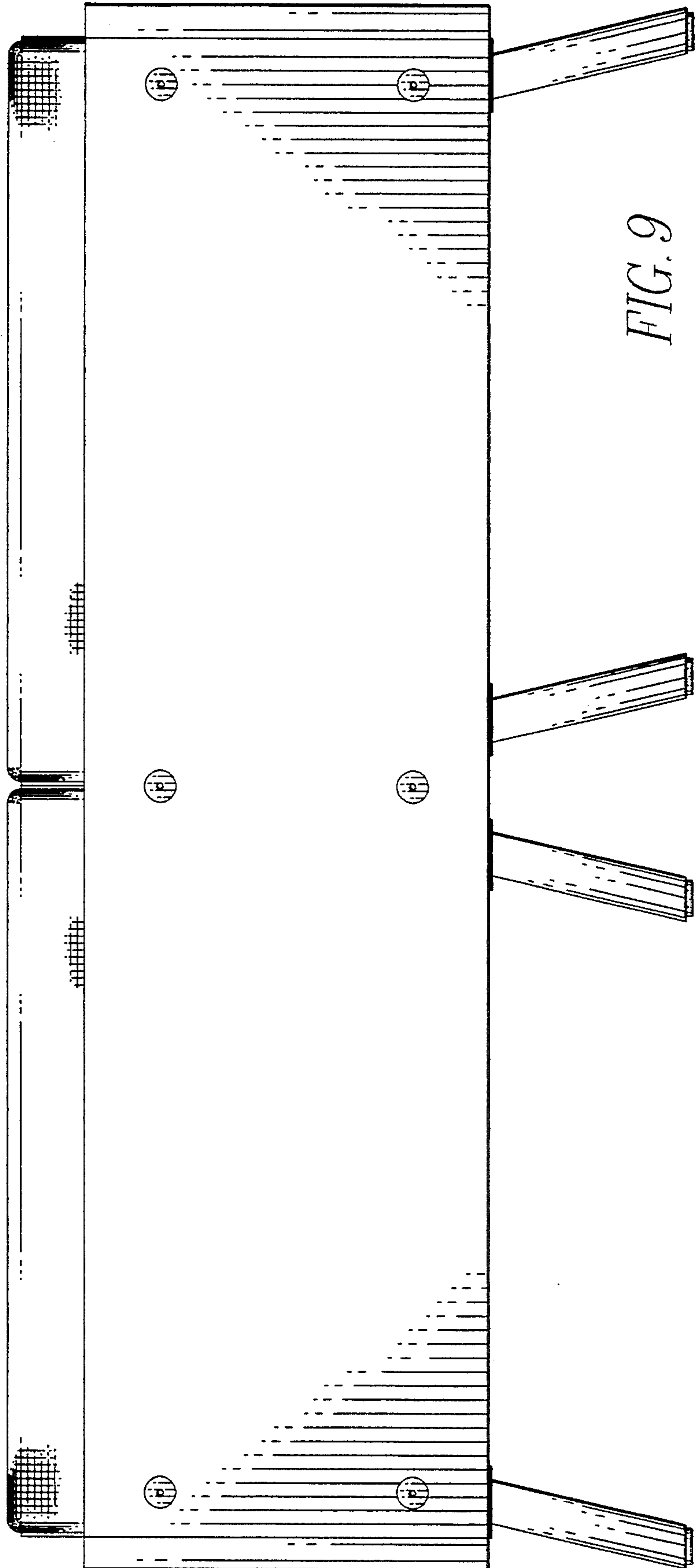


FIG. 9

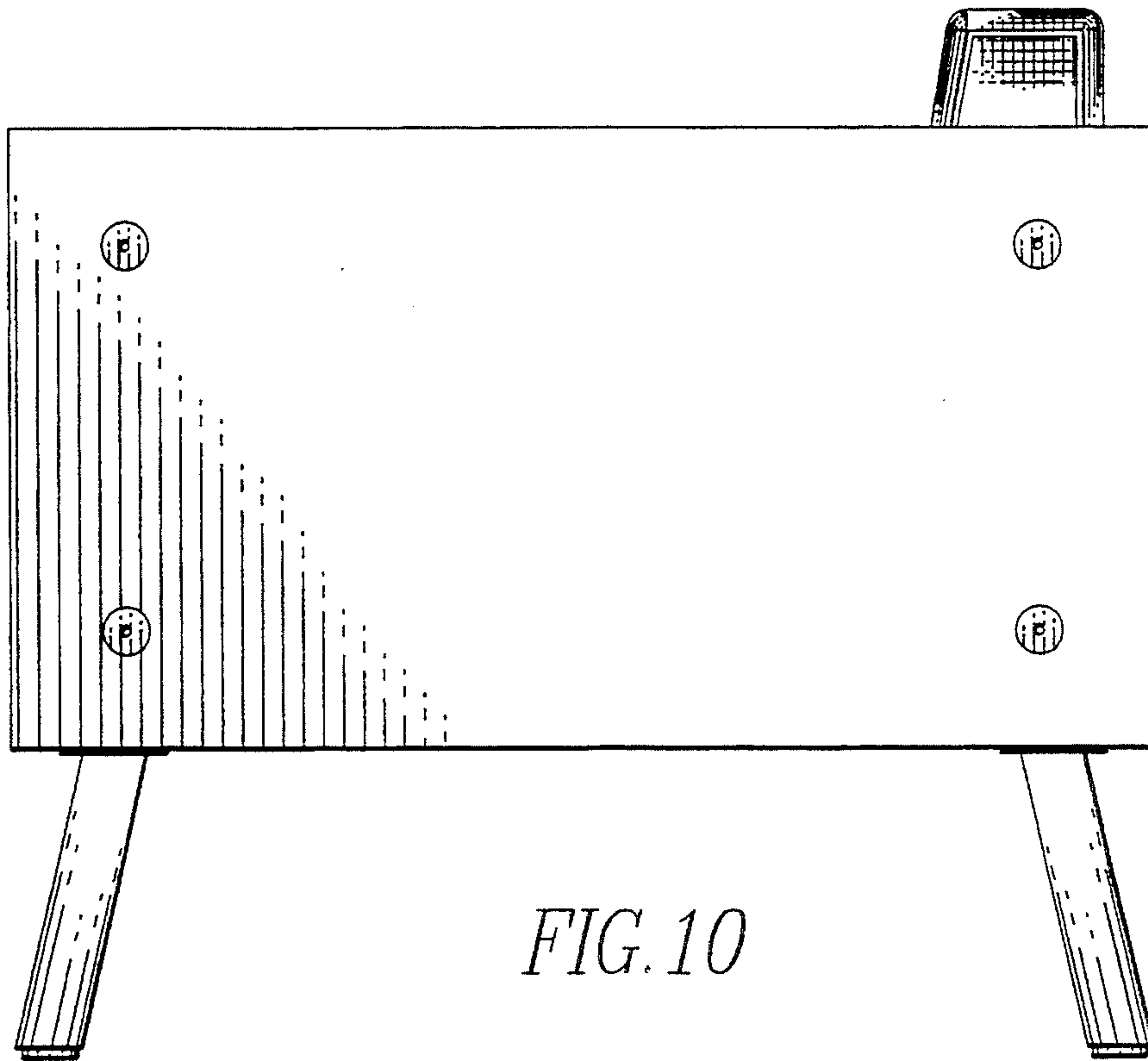


FIG. 10

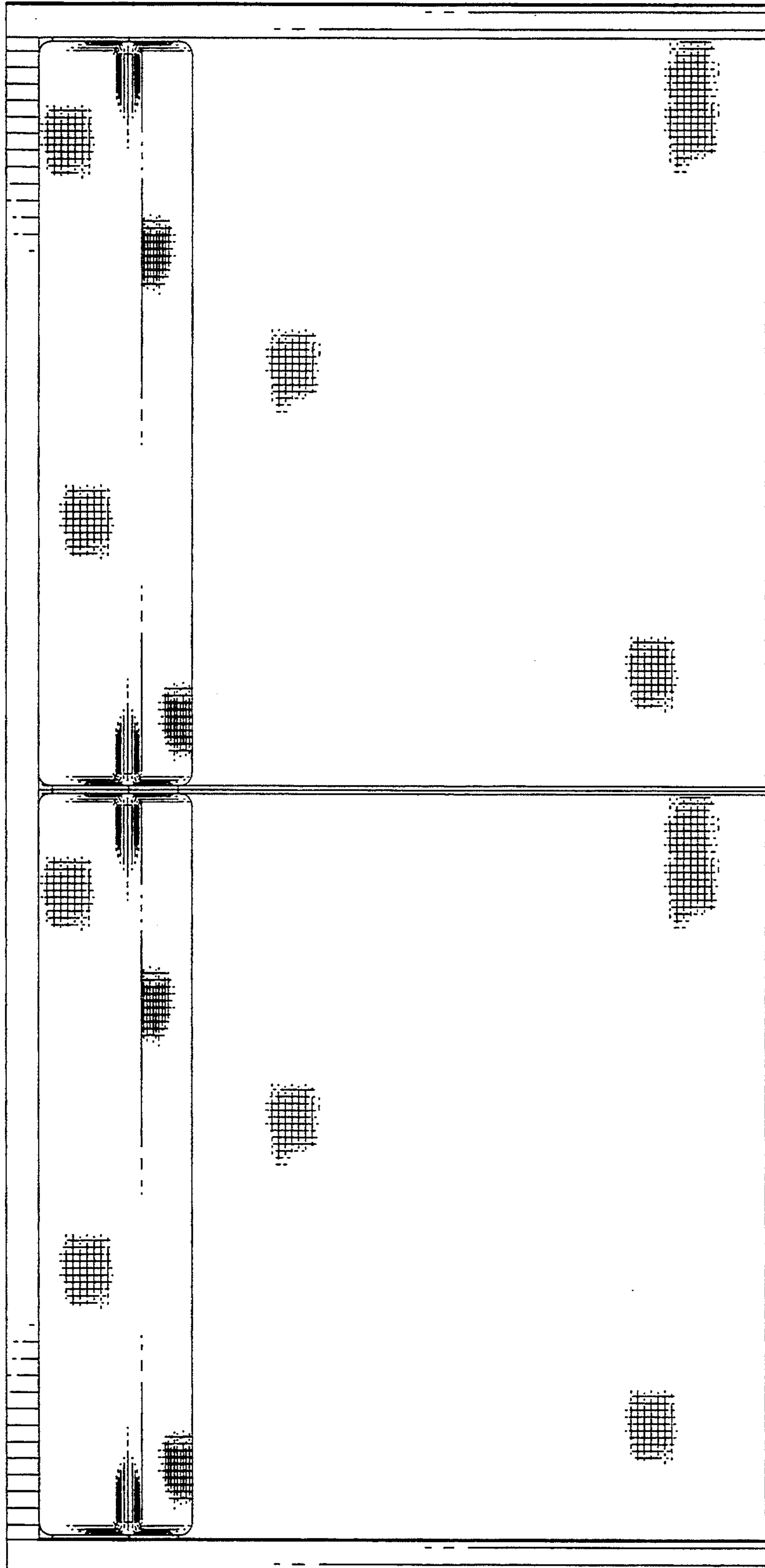


FIG. 11

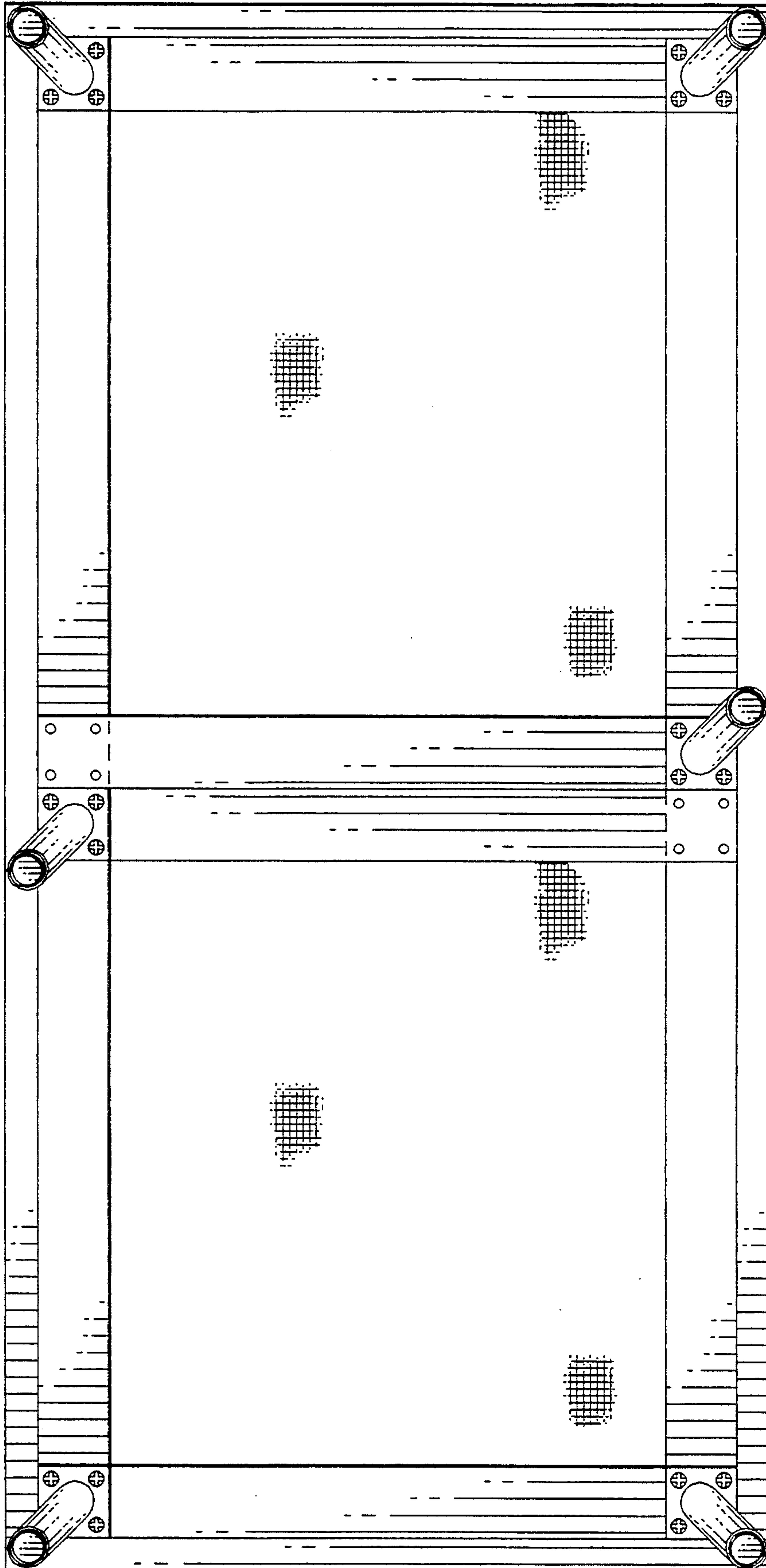
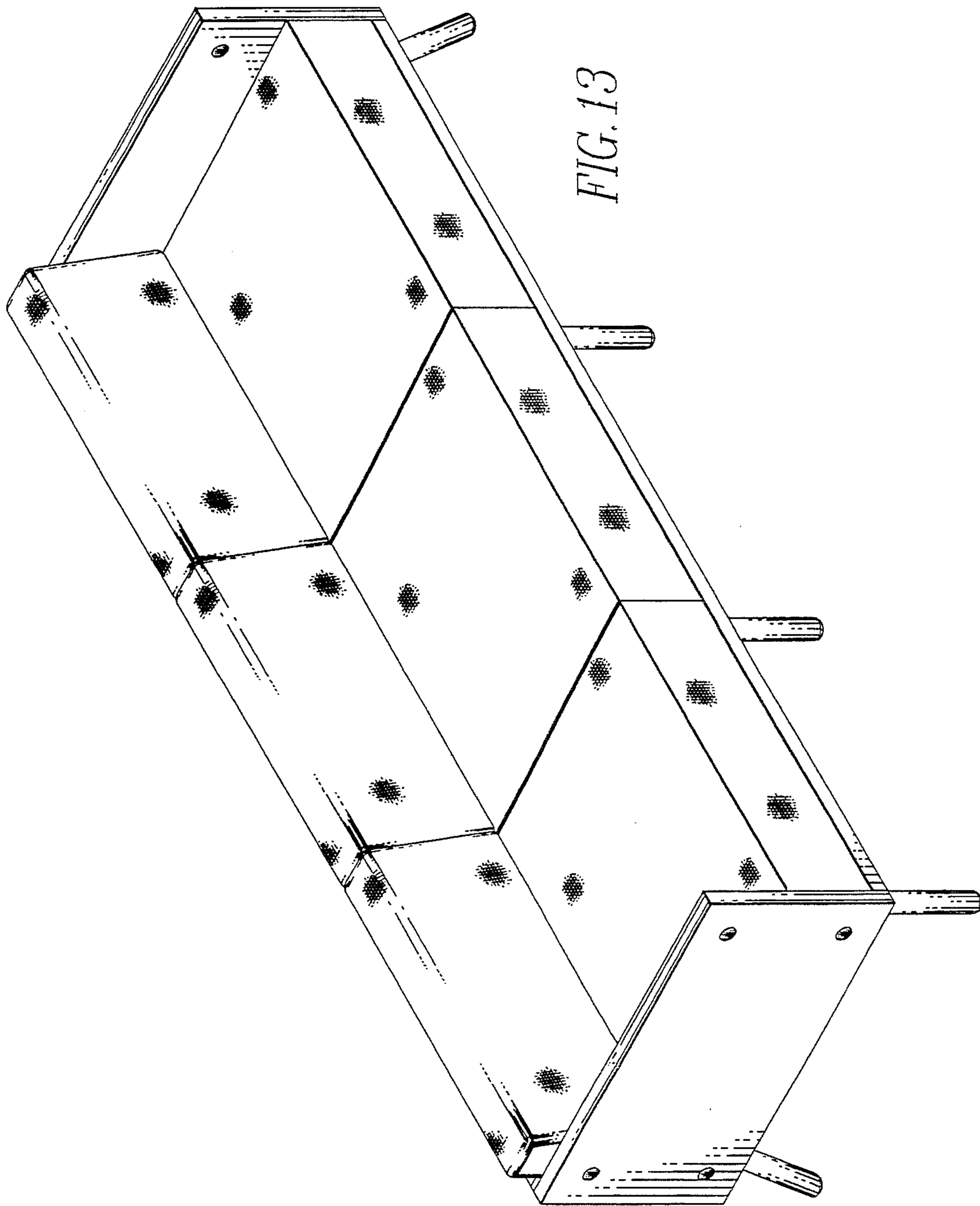


FIG. 12



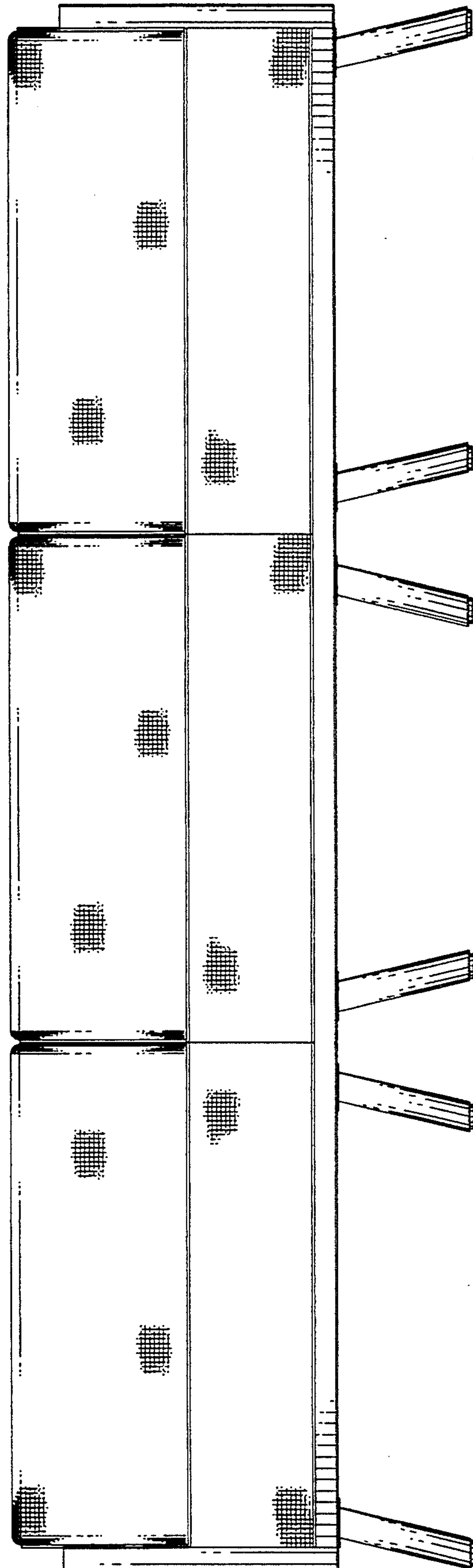


FIG. 14

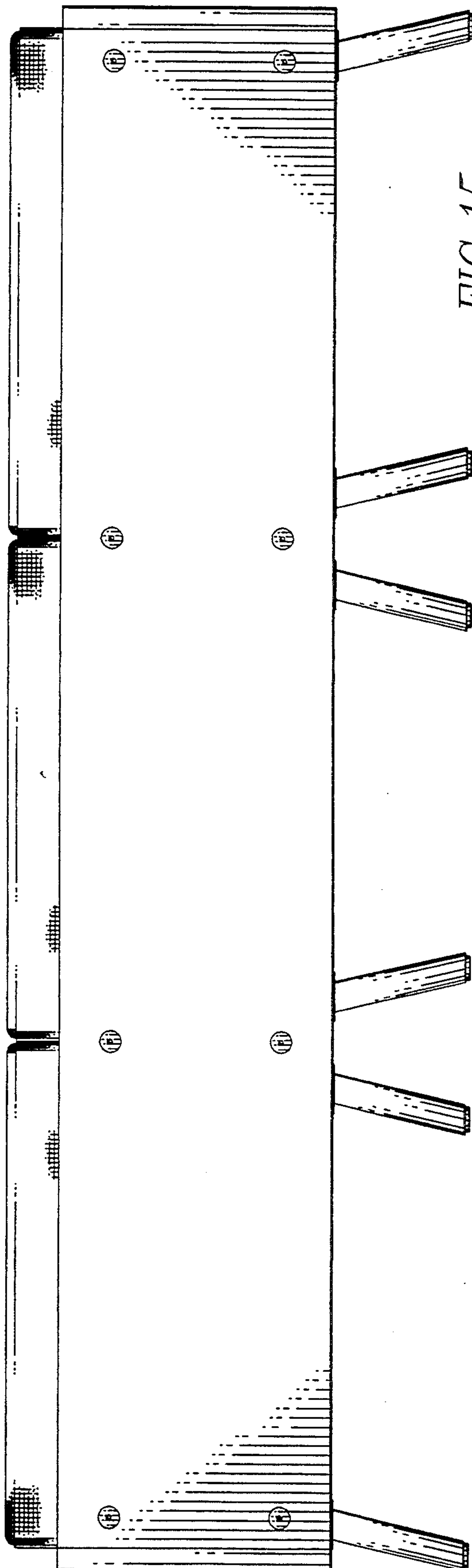


FIG. 15

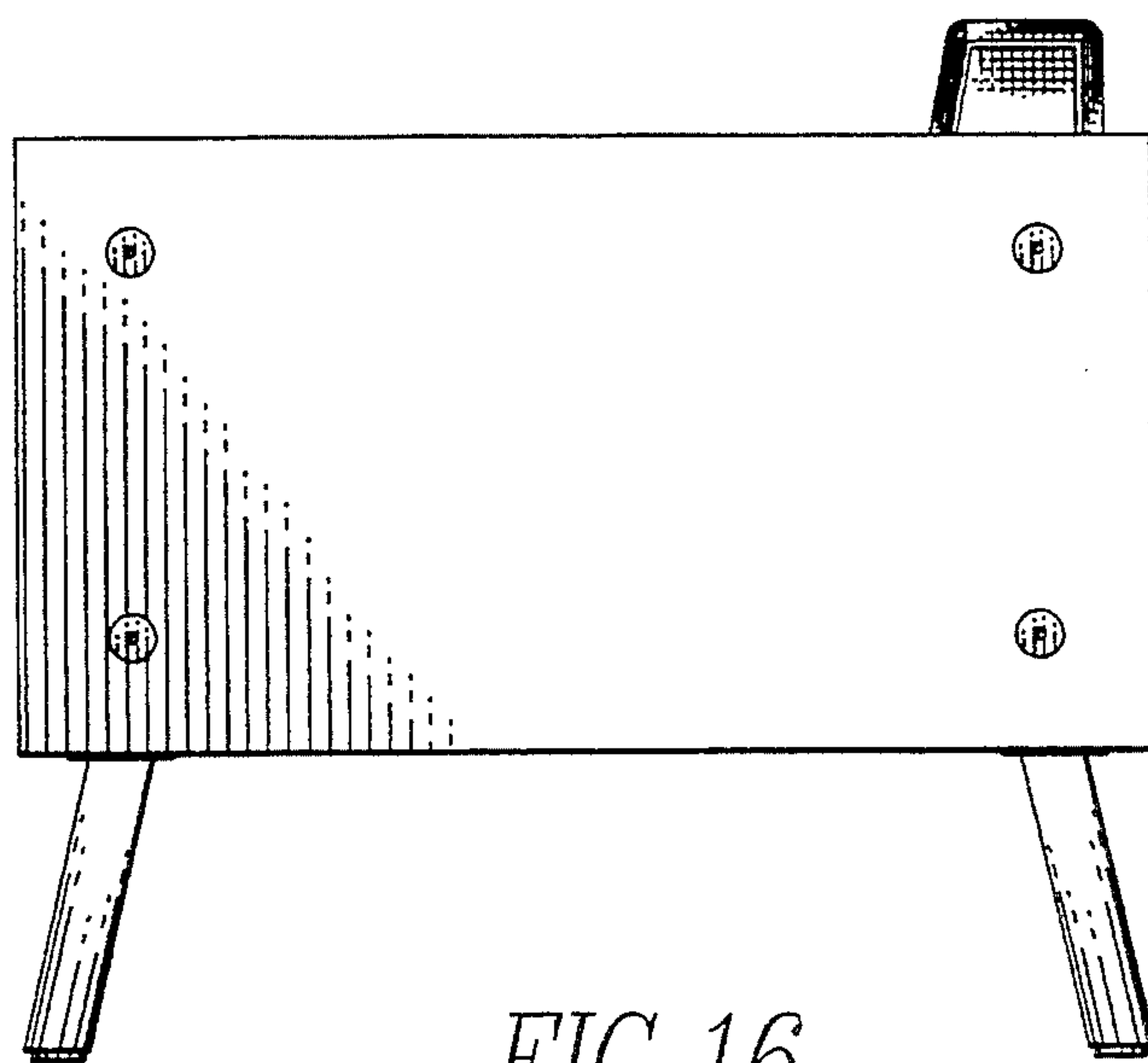


FIG. 16

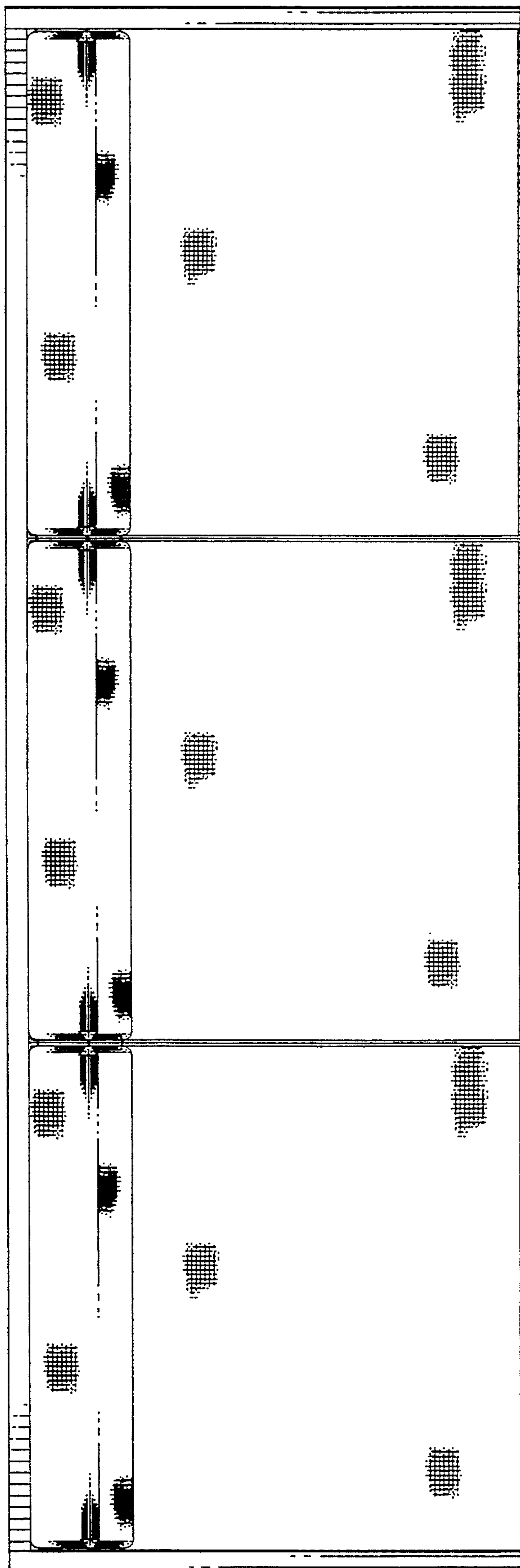


FIG. 17

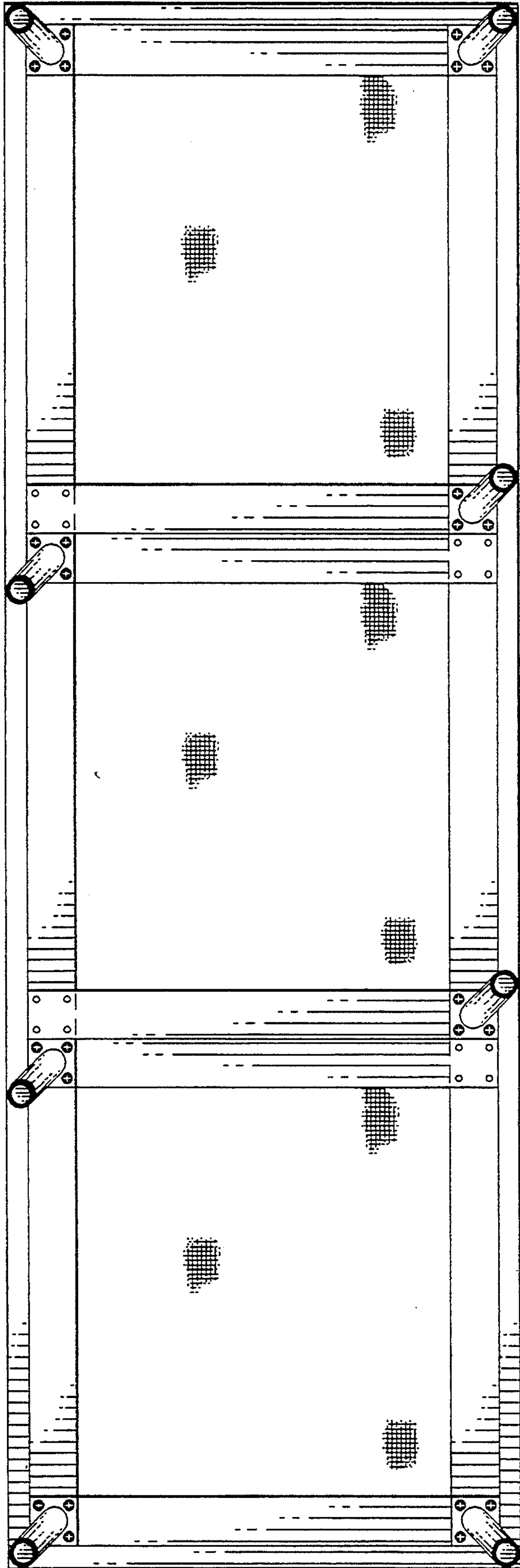


FIG. 18