



US00D360308S

United States Patent [19]

[11] Patent Number: **Des. 360,308**

Smith et al.

[45] Date of Patent: **** Jul. 18, 1995**

[54] CHILD SEAT

[75] Inventors: **Raymond Smith**, Los Angeles;
Charles Roelen, Laguna Niguel, both
of Calif.

[73] Assignees: **Randy Hunt**, Laguna Beach, Calif.;
Robin Harris, Honua Loa, Hi.

[**] Term: **14 Years**

[21] Appl. No.: **17,421**

[22] Filed: **Jan. 12, 1994**

[52] U.S. Cl. **D6/333; D6/368;**
D6/611

[58] Field of Search **D6/333, 334, 367, 338,**
D6/601, 610, 611; 297/240.1, 253, 253, 255,
216.1, 256.15, 256.17, 467, 487, 488, 218, 219.12

[56] **References Cited**

U.S. PATENT DOCUMENTS

- D 340,139 10/1993 McCaskill .
- 1,641,953 9/1927 Abraham .
- 1,742,822 1/1930 Olson 297/255
- 2,451,007 10/1948 White 297/467 X
- 2,508,822 5/1950 Goldberg .

- 3,604,750 9/1971 Doering .
- 4,702,523 10/1987 Schrader et al. .
- 4,871,210 10/1989 Alexander et al. 297/467 X
- 4,889,388 12/1989 Hime .
- 4,925,241 5/1990 Geraci 297/218 X
- 4,969,683 11/1990 Wallace et al. 297/218 X
- 5,205,610 4/1993 Reninger .
- 5,257,854 11/1993 Korneliussen 297/467 X

Primary Examiner—Janice E. Seeger
Attorney, Agent, or Firm—Knobbe, Martens, Olson &
Bear

[57] CLAIM

The ornamental design for a child seat, as shown and described.

DESCRIPTION

FIG. 1 is a front perspective view of a child seat showing our ornamental design;
FIG. 2 is a right side elevational view thereof;
FIG. 3 is a left side elevational view thereof;
FIG. 4 is a rear elevational view thereof; and,
FIG. 5 is a bottom plan view thereof.
The broken lines in FIGS. 1-3 are for environmental purposes only and form no part of the claimed design.

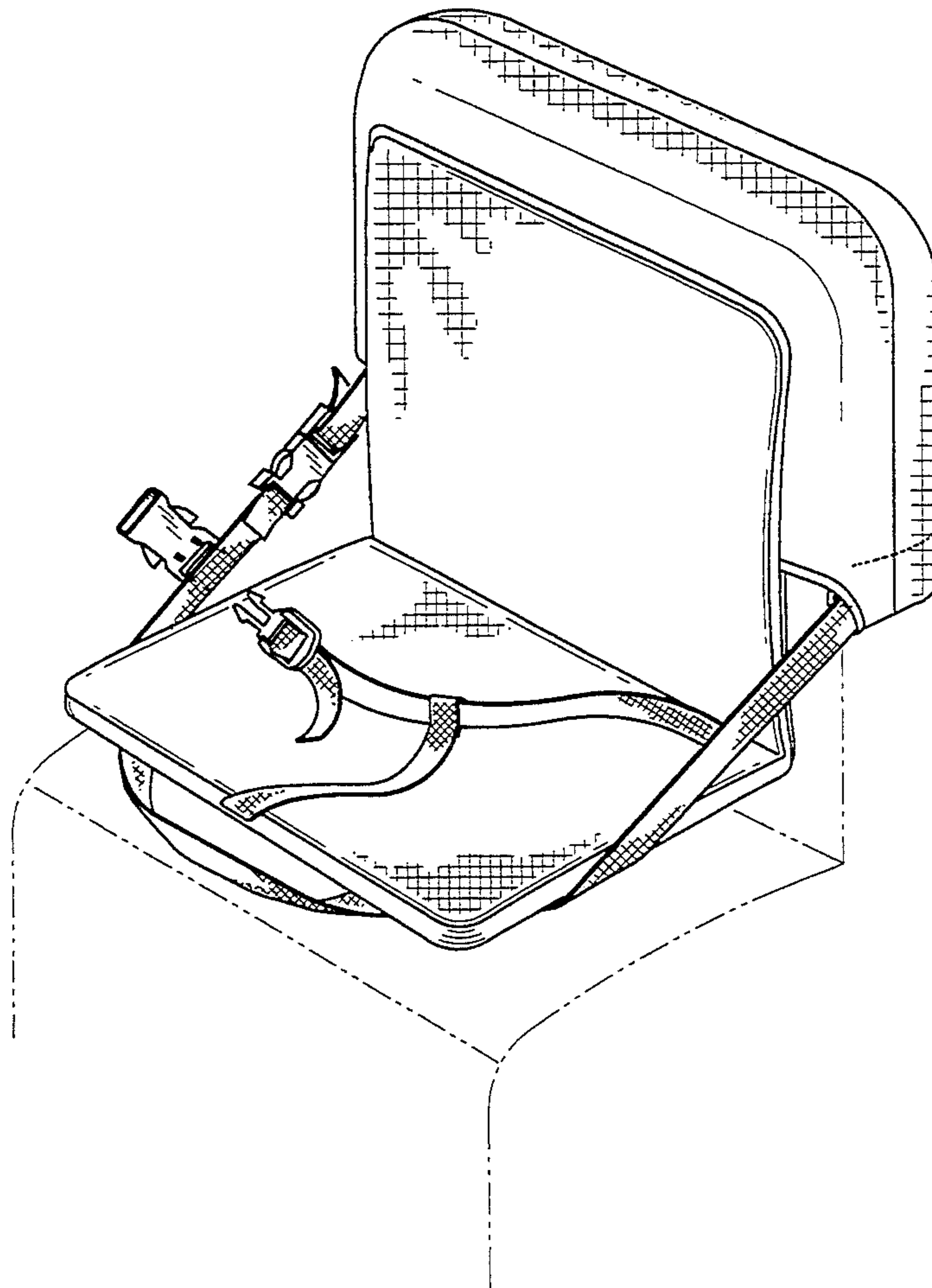


Fig. 1

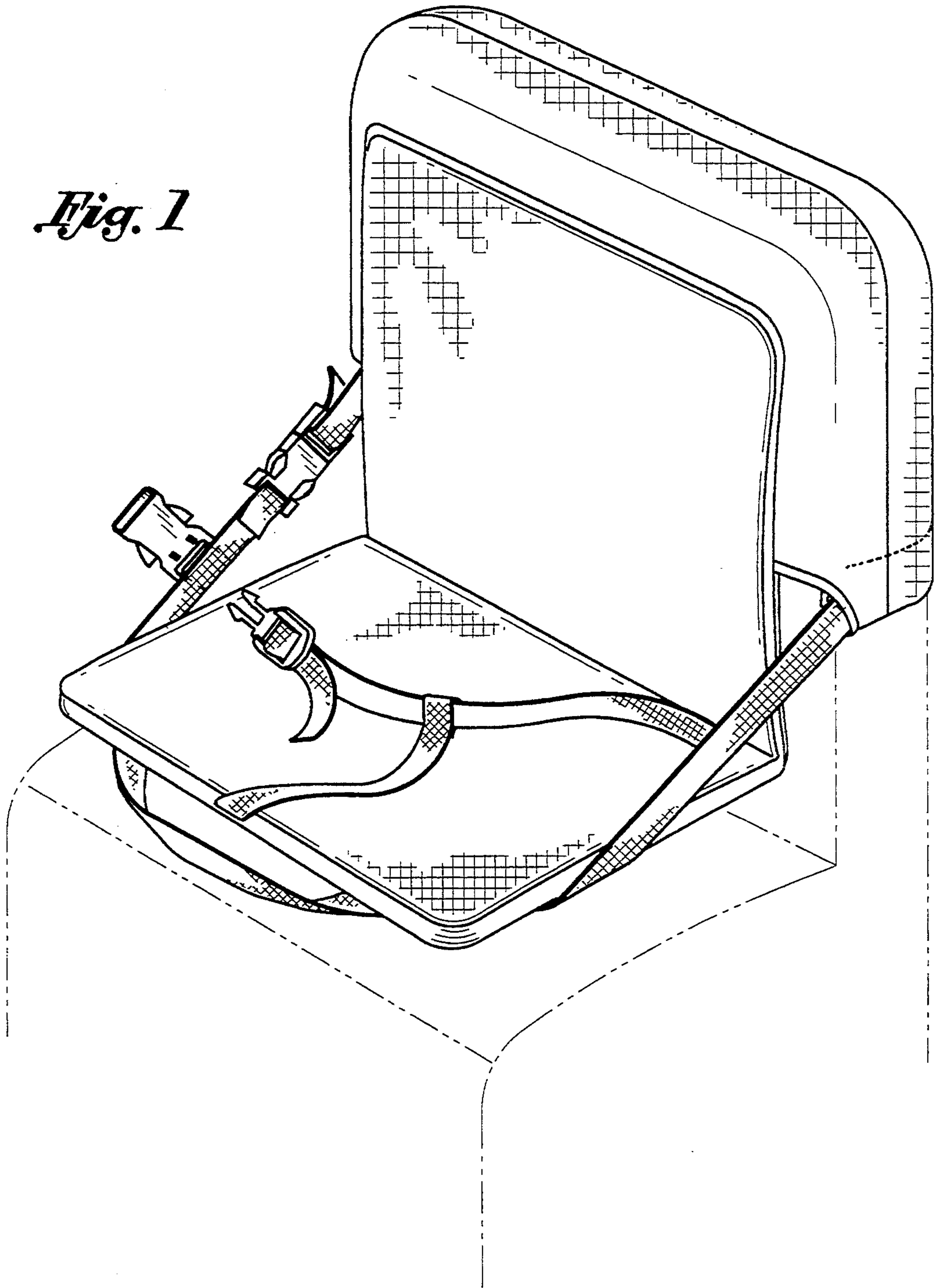


Fig. 3

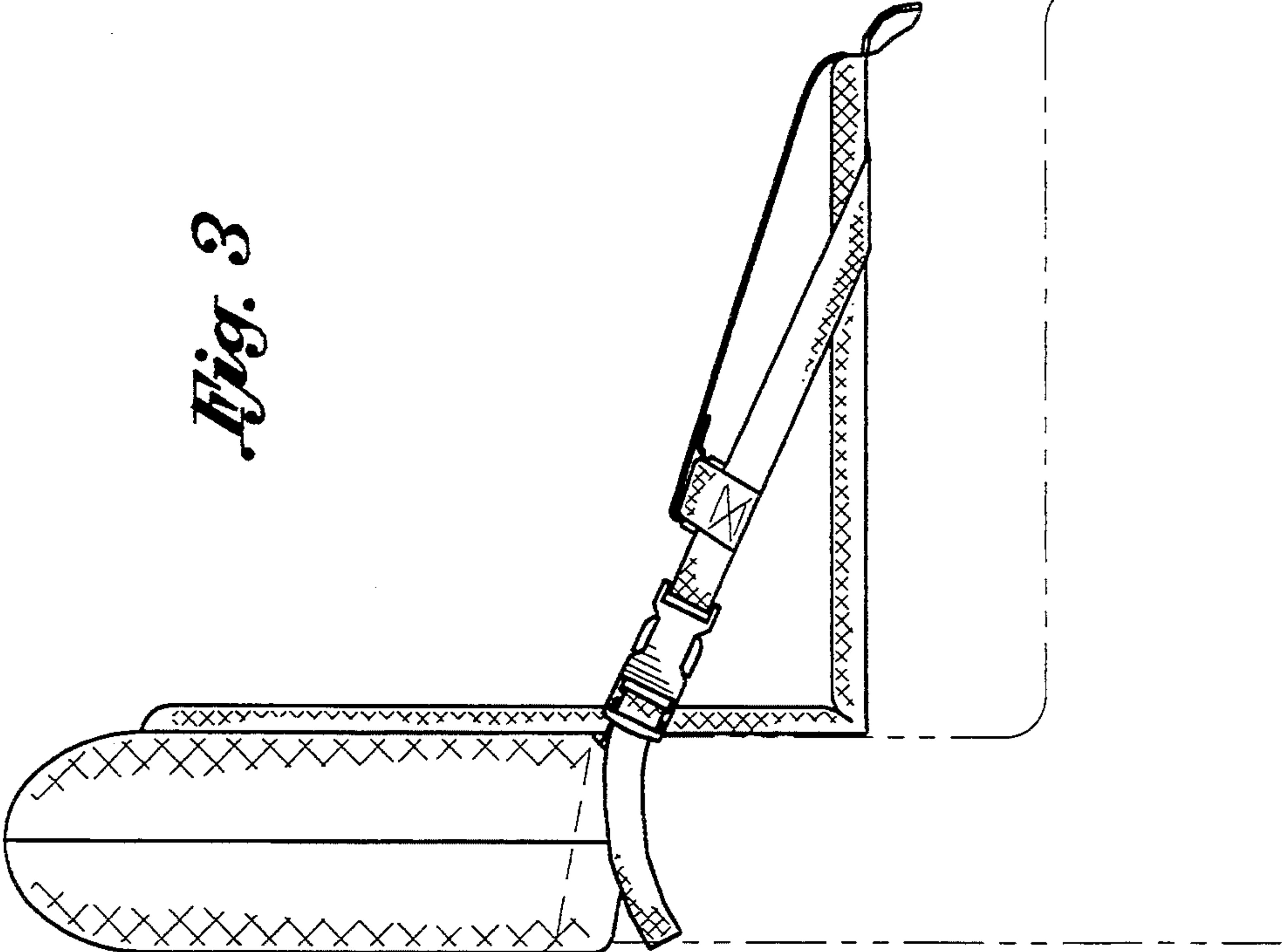


Fig. 2

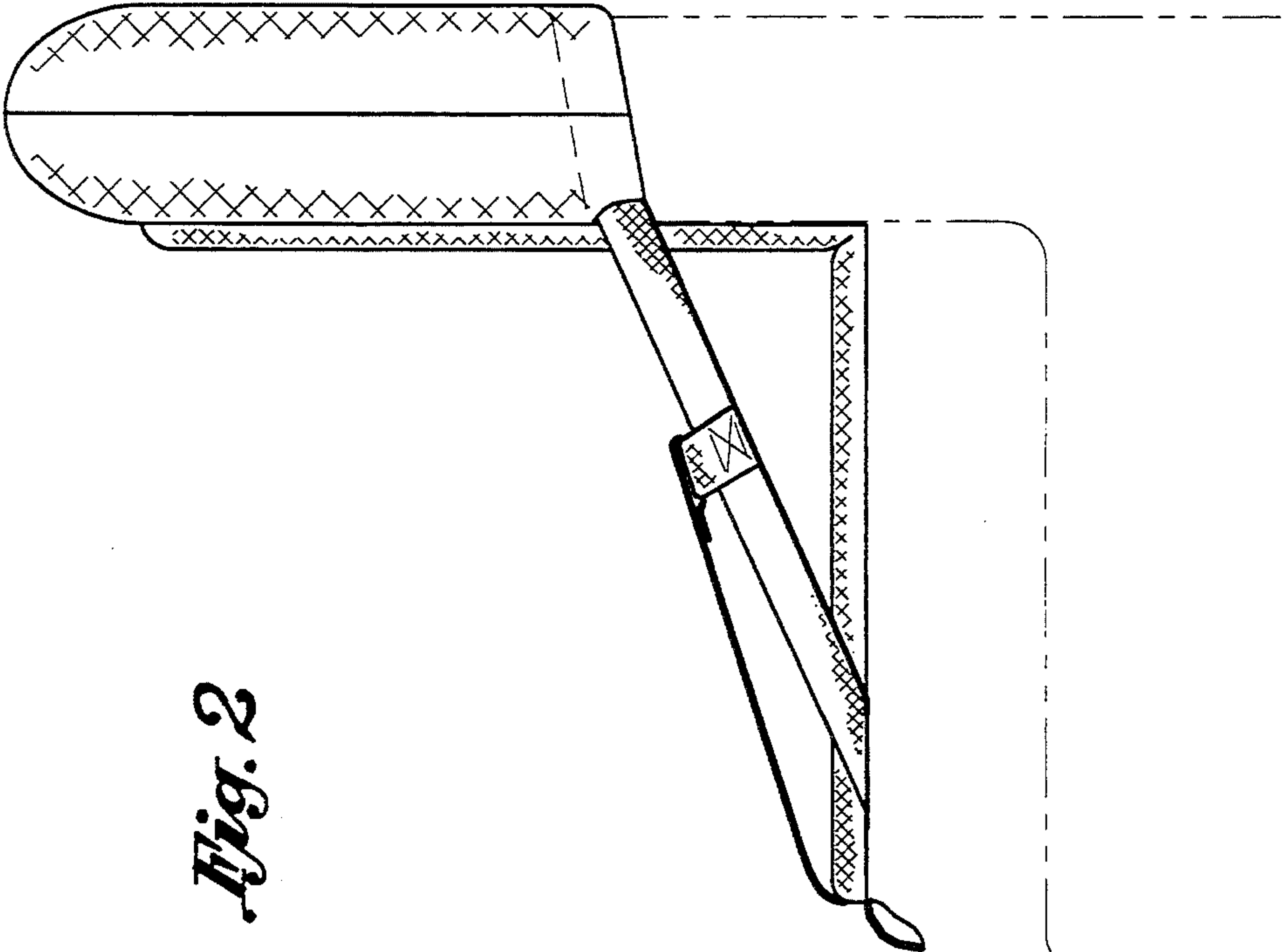


Fig. 4

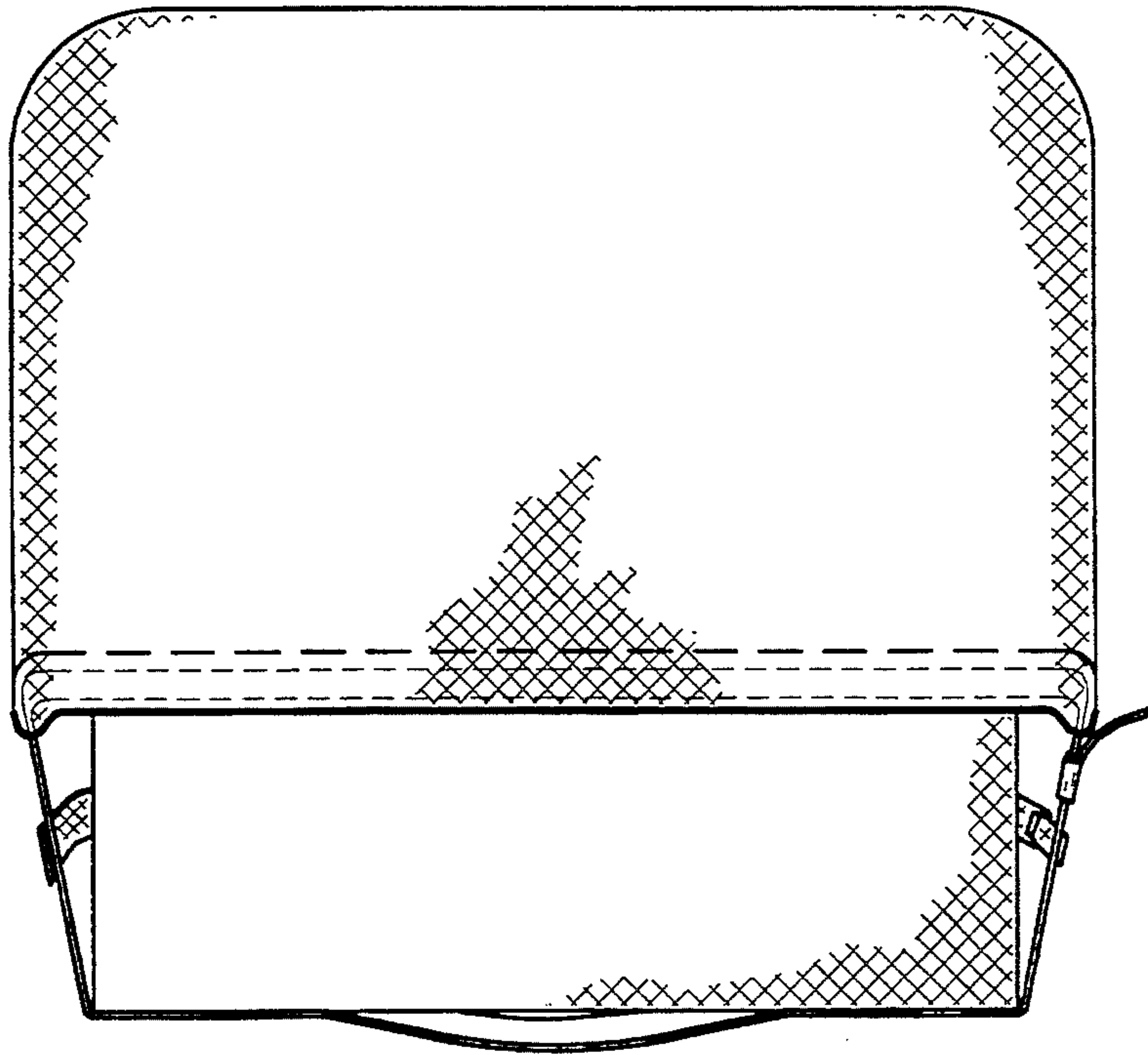


Fig. 5

