



US00D360301S

# United States Patent [19] Hogle

[11] Patent Number: Des. 360,301

[45] Date of Patent: \*\* Jul. 18, 1995

[54] DRINKING STRAW CLEANING BRUSH

[76] Inventor: Karen F. Hogle, 2121 NW. 58 Ter.,  
Gainesville, Fla. 32605

[\*\*] Term: 14 Years

[21] Appl. No.: 860,365

[22] Filed: Mar. 30, 1992

[52] U.S. Cl. .... D4/131

[58] Field of Search ..... D4/128, 131, 138;  
15/104.03, 104.05, 104.2, 143.1, 159.1, 160, 164,  
206-207, 207.2

[56] **References Cited**

**U.S. PATENT DOCUMENTS**

- 1,967,597 7/1934 Schwartz ..... 15/206
- 4,323,084 4/1982 Walter ..... 15/206 X
- 5,253,386 10/1993 LaLonde ..... 15/206

Primary Examiner—James M. Gandy  
Assistant Examiner—Lavone D. Tabor

[57] **CLAIM**

The ornamental design for a drinking straw cleaning brush, as shown and described.

**DESCRIPTION**

FIG. 1 is a front elevational view of the drinking straw cleaning brush showing my new design; FIG. 2 is a rear elevational view thereof; FIG. 3 is a left side elevational view thereof; FIG. 4 is a right side elevational view thereof; FIG. 5 is an enlarged top plan view thereof; FIG. 6 is an enlarged bottom plan view thereof; and, FIG. 7 is an elevational view showing a use thereof on a reduced scale.

The broken line showing of a straw and drinking cup in FIG. 7 of the drawing is for illustrative purposes only and forms no part of the claimed design.

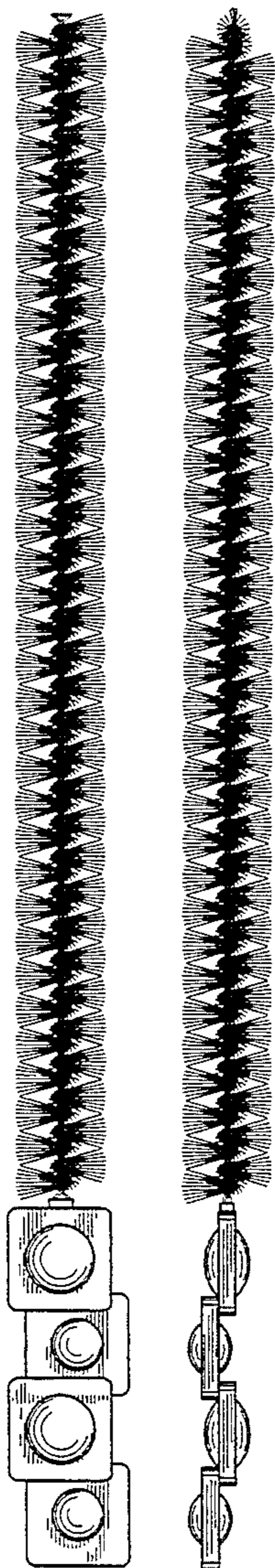


FIG. 1



FIG. 2

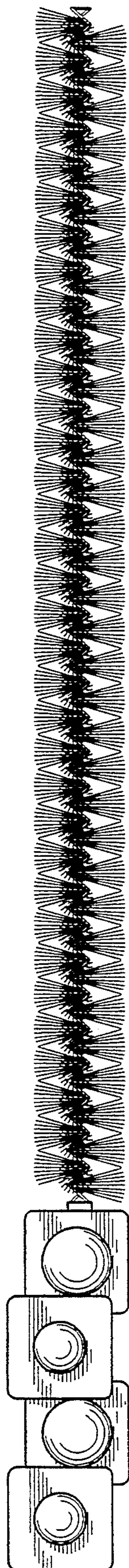




FIG. 3

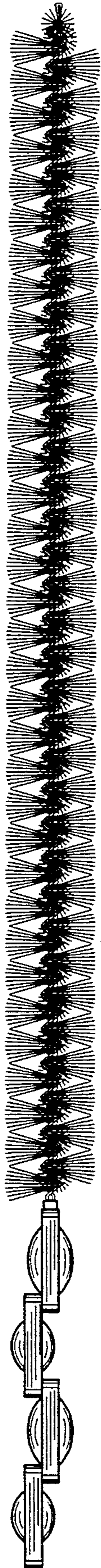
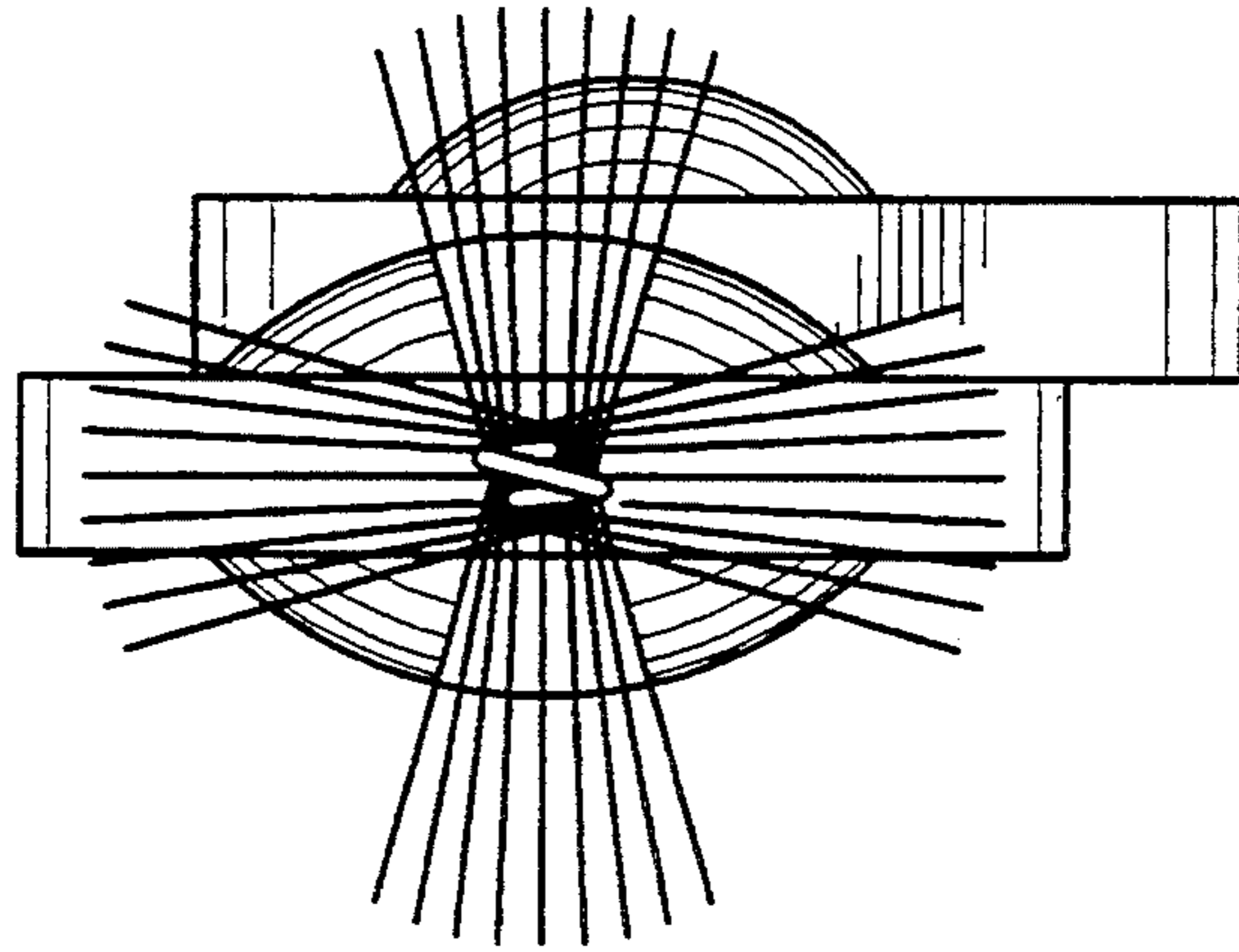


FIG. 4



*FIG. 5*



*FIG. 6*

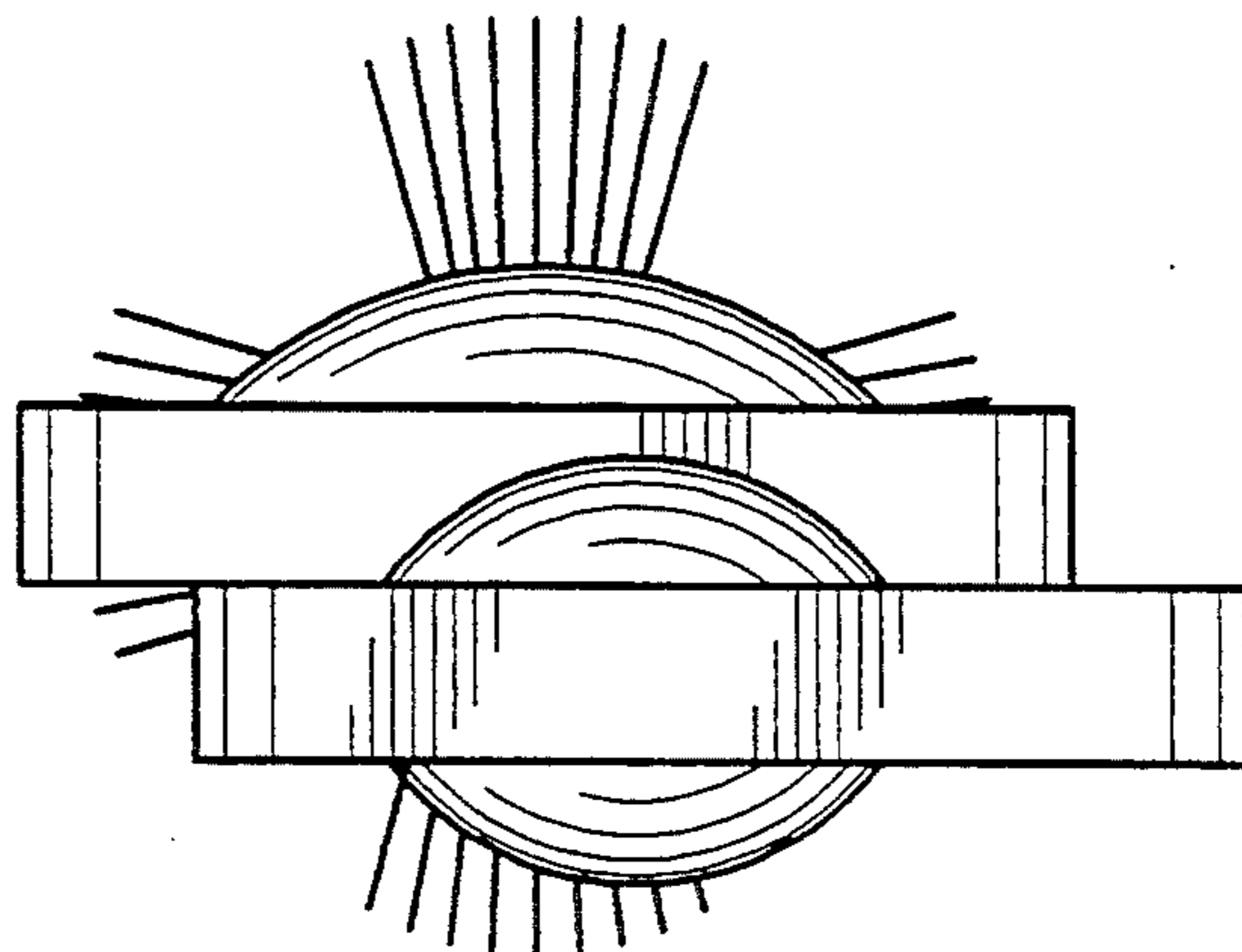


FIG. 7

