



US00D360299S

United States Patent [19]

[11] Patent Number: **Des. 360,299**

Macek

[45] Date of Patent: **** Jul. 18, 1995**

[54] **UNDER BED STORAGE TROLLEY**

D. 315,757	3/1991	Kutsner	D34/19 X
4,597,122	7/1986	Handler	5/503.1
4,964,514	10/1990	Wycech	206/564
5,141,241	8/1992	Avila	D34/19 X

[75] Inventor: **Thomas J. Macek, Chicago, Ill.**

[73] Assignee: **Selfix, Inc., Chicago, Ill.**

[**] Term: **14 Years**

Primary Examiner—Theodore M. Shooman
Assistant Examiner—Richelle Shelton
Attorney, Agent, or Firm—Dressler, Goldsmith, Shore & Milnamow, Ltd.

[21] Appl. No.: **21,577**

[22] Filed: **Apr. 20, 1994**

[52] U.S. Cl. **D3/304; D21/71; D34/23**

[57] **CLAIM**

The ornamental design for an under bed storage trolley, as shown and described.

[58] Field of Search **D3/304, 307-314; D6/432, 436; D21/134, 71; D9/432, 424; D34/12, 19, 23; 220/676; 5/308, 503.1; 280/651, 652; 312/330.1, 348.1; 206/564**

DESCRIPTION

[56] **References Cited**

U.S. PATENT DOCUMENTS

D. 192,888	5/1962	Levkoff	D9/424
D. 231,772	6/1974	Gary et al.	D3/312
D. 263,820	4/1982	Levenberg	D34/23
D. 308,609	6/1990	Handler et al.	D6/436

FIG. 1 is a perspective view of an under bed storage trolley showing my new design; FIG. 2 is a side elevational view thereof, the opposite side elevation view being identical; FIG. 3 is a top plan view thereof; FIG. 4 is a front elevational view thereof, the rear elevation view being identical; and, FIG. 5 is a bottom plan view thereof.

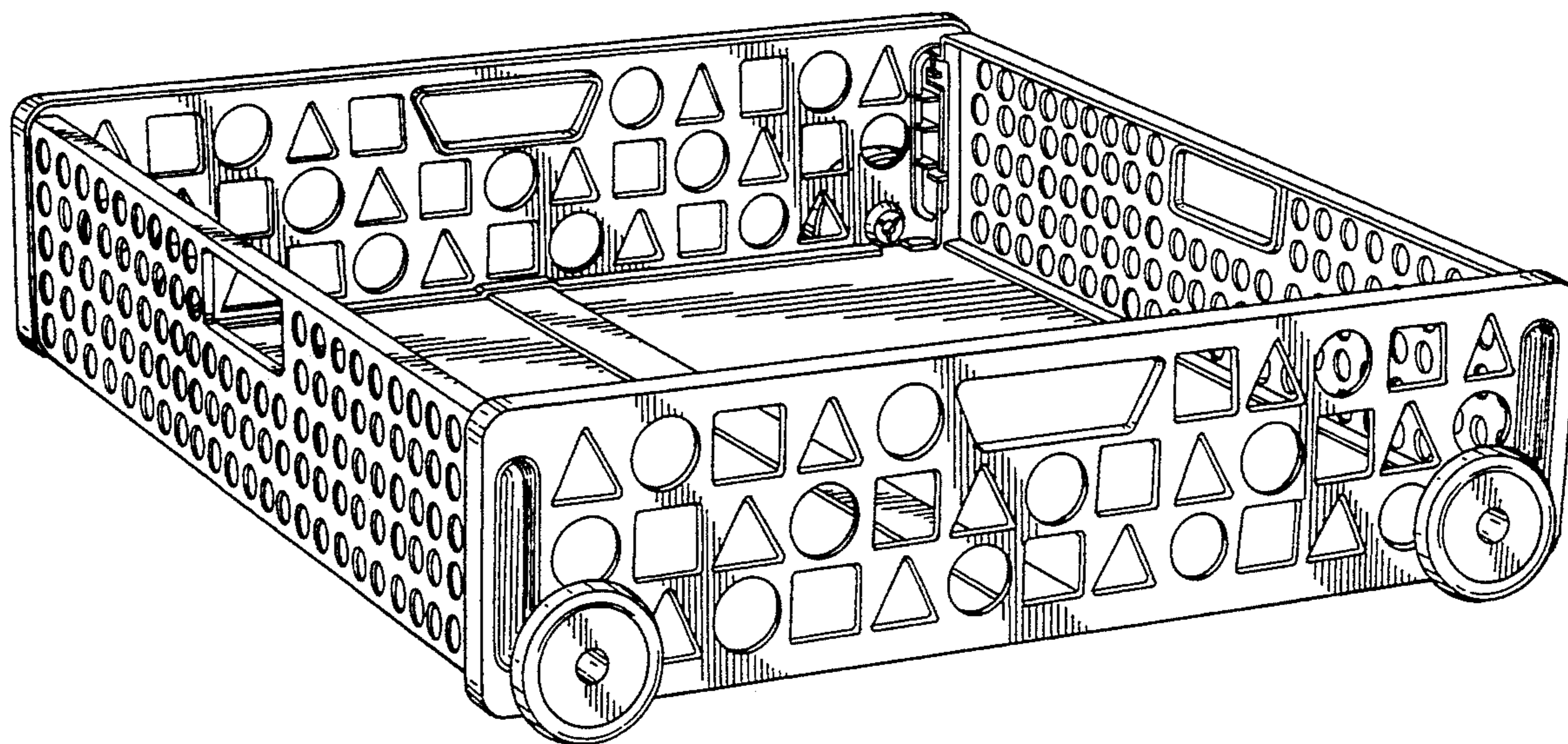


FIG. 1

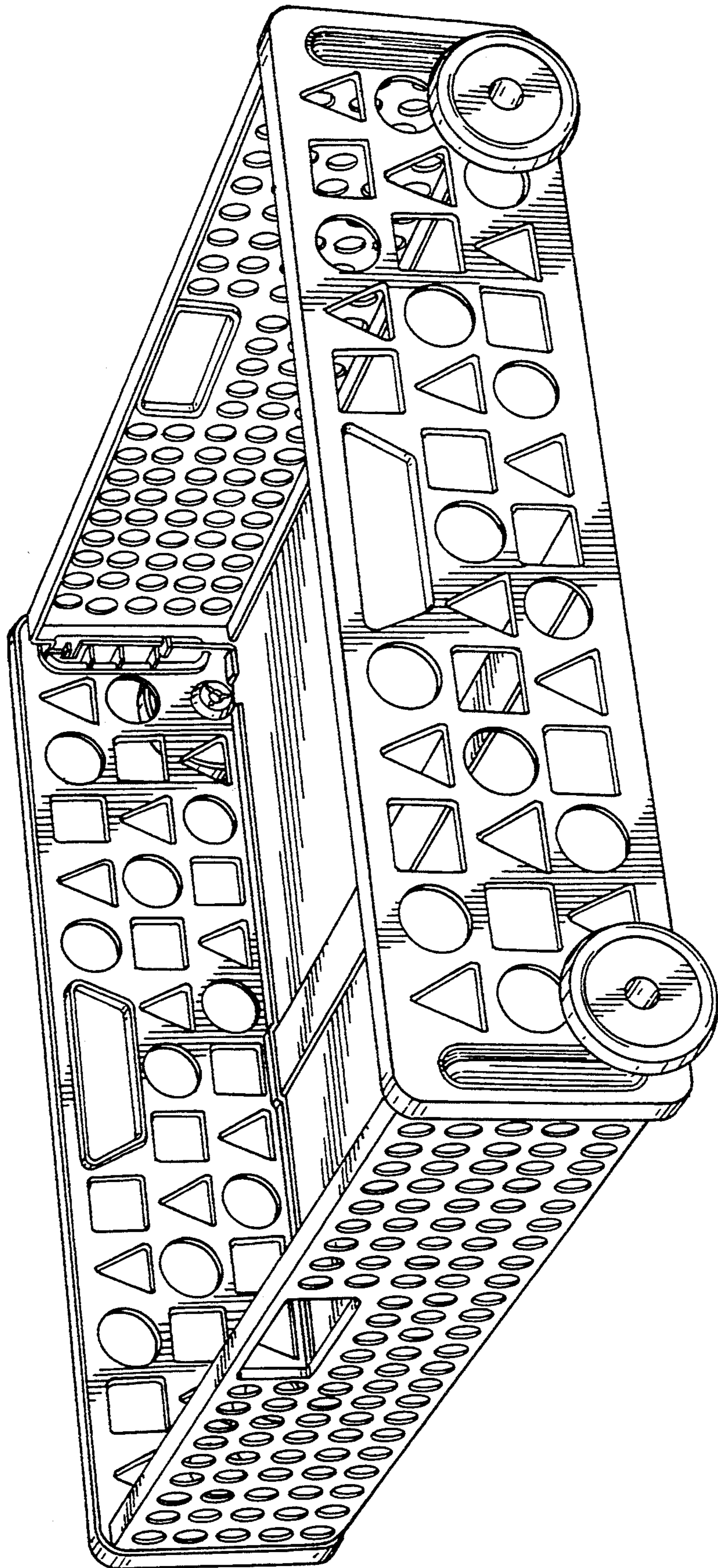


FIG. 2

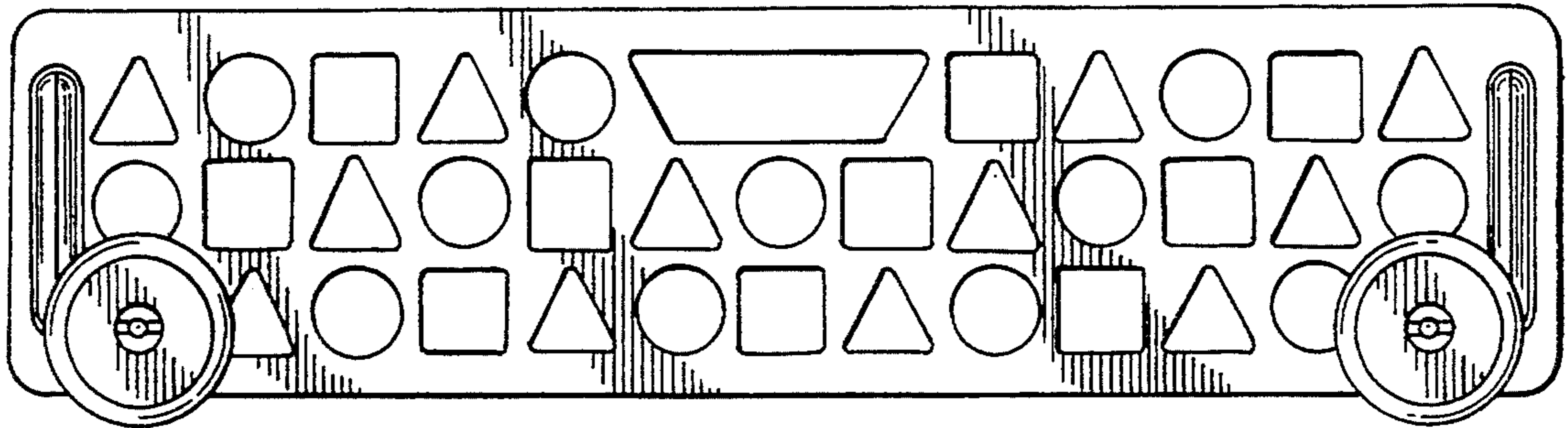


FIG. 3

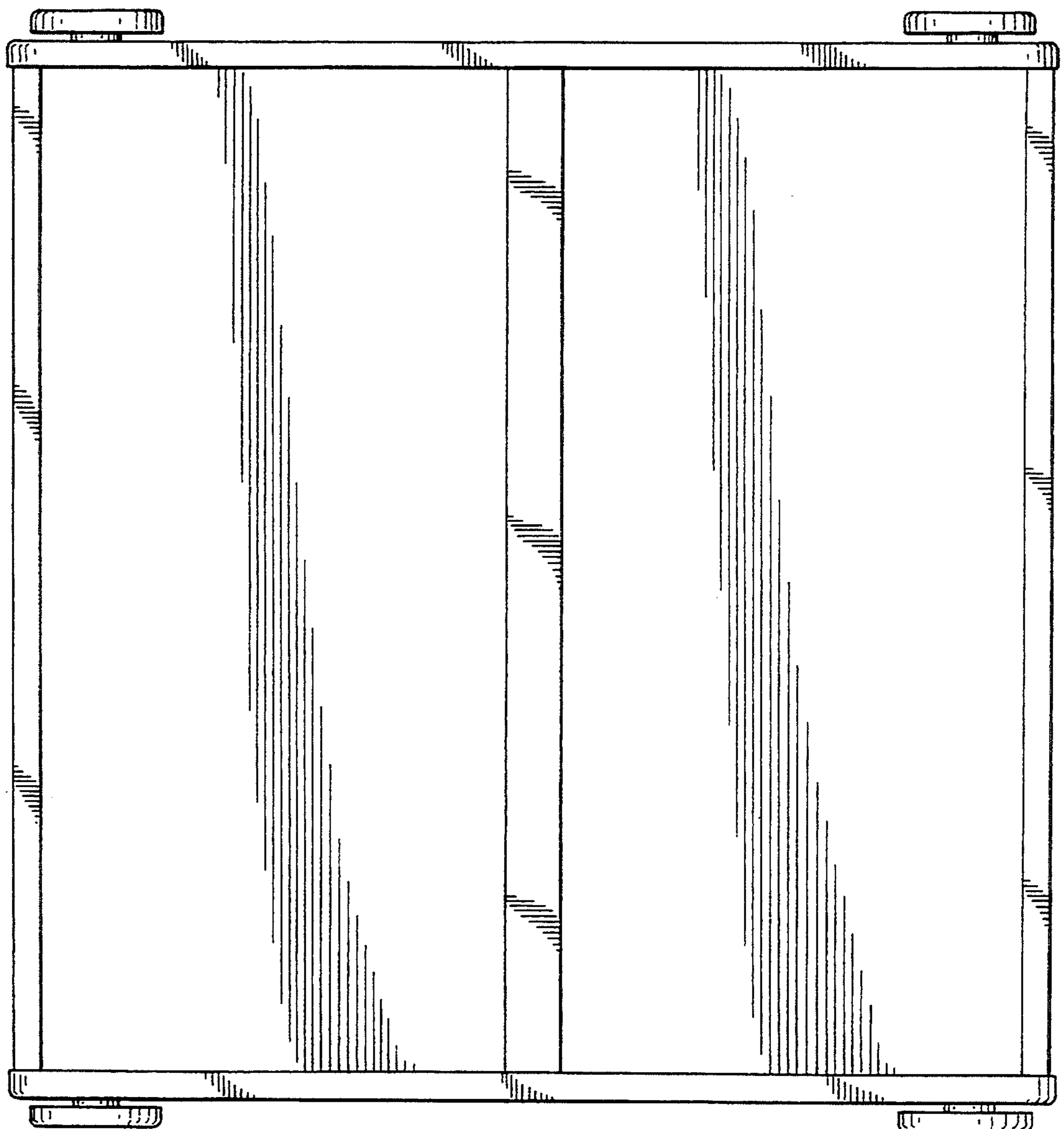


FIG. 4

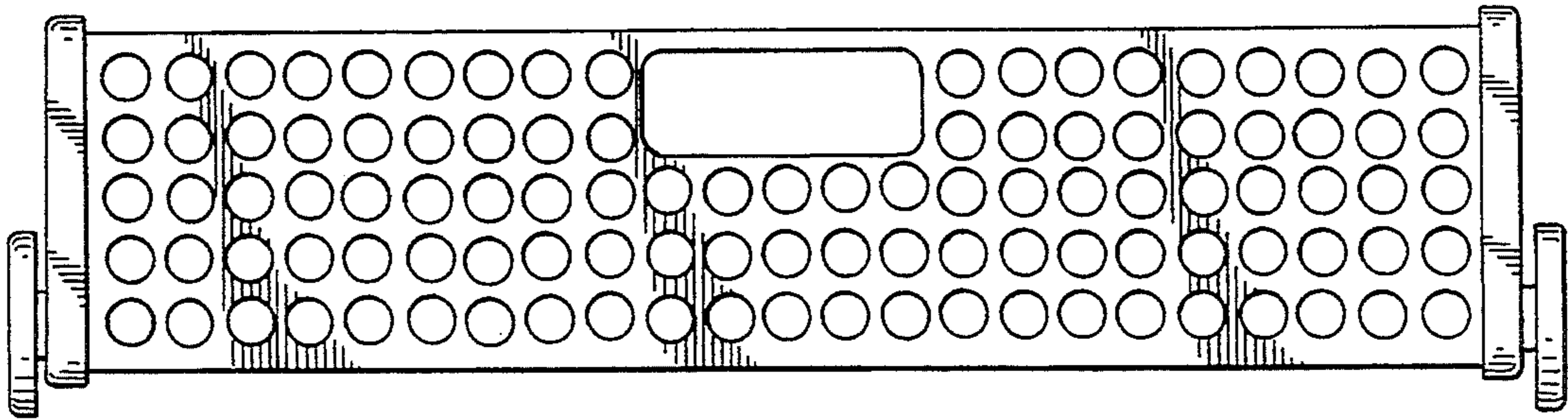


FIG. 5

