



US00D360297S

United States Patent [19]

[11] Patent Number: **Des. 360,297**

Liu

[45] Date of Patent: **** Jul. 18, 1995**

[54] **SMALL-ITEM CONTAINER**

2,694,427 11/1954 Hovis 150/105

[76] Inventor: **Lydia H. Liu**, Room A, 6th Fl., No. 11, Sec. 4, Nanking E. Rd., Taipei,

Primary Examiner—Prabhakar Deshmukh
Assistant Examiner—Dominic Simone
Attorney, Agent, or Firm—Bacon & Thomas

[**] Term: **14 Years**

[21] Appl. No.: **18,191**

[57] **CLAIM**

[22] Filed: **Feb. 1, 1994**

The ornamental design for a small item container, as shown and described.

[52] U.S. Cl. **D3/276; D3/282; D3/291; D7/629**

DESCRIPTION

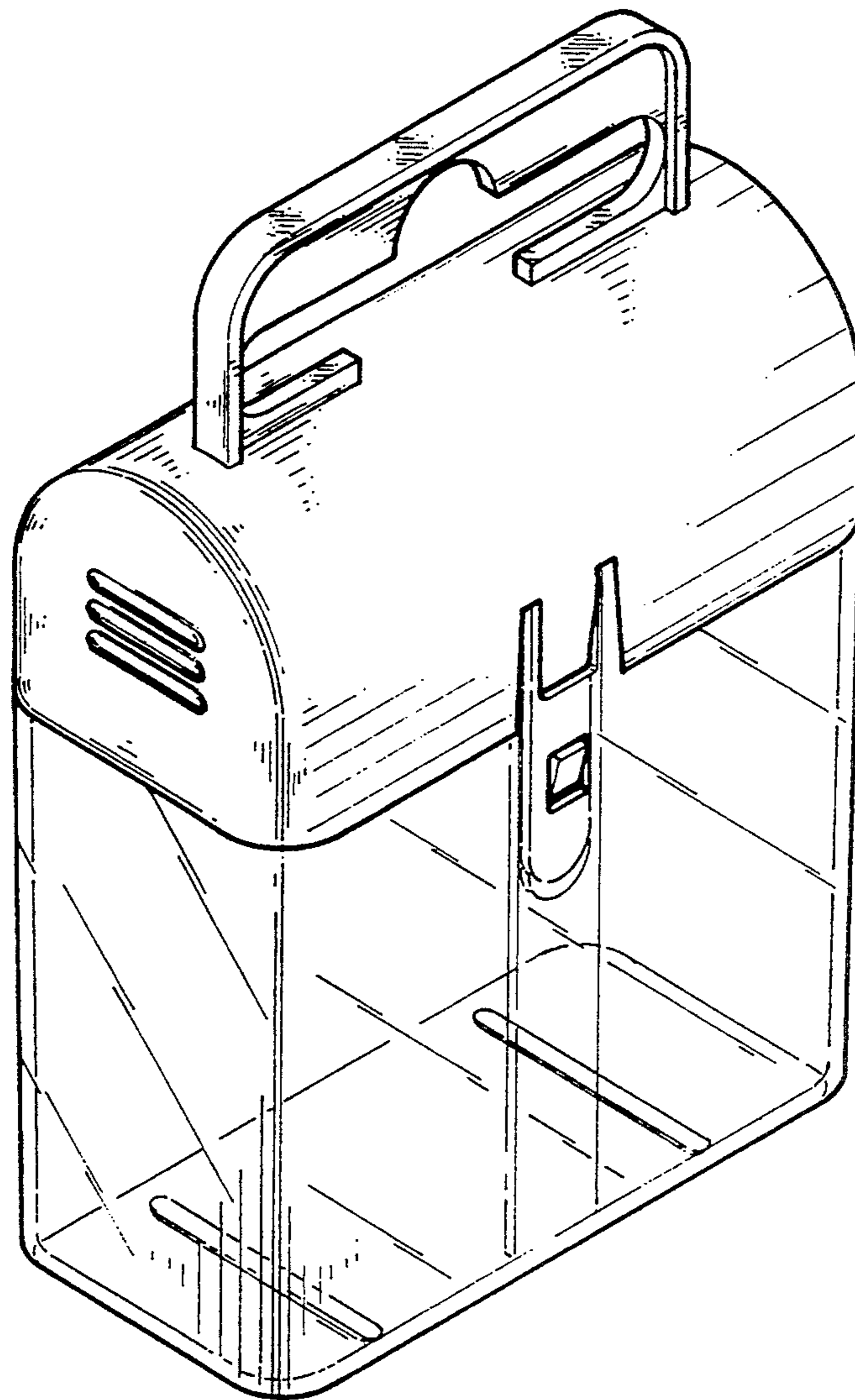
[58] **Field of Search** **D3/232, 242, 273, 276, D3/282, 291, 294; 150/100, 107, 118; 190/100, 115, 119, 120, 121; D7/629, 709; 206/541, 549**

FIG. 1 is a rear, right, top perspective view of a small item container showing my new design;
FIG. 2 is a front elevational view thereof;
FIG. 3 is a rear elevational view thereof;
FIG. 4 is a left side elevational view thereof;
FIG. 5 is a right side elevational view thereof;
FIG. 6 is a top plan view thereof;
FIG. 7 is a bottom plan view thereof; and,
FIG. 8 is a rear perspective view thereof, in an open position.

[56] **References Cited**

U.S. PATENT DOCUMENTS

D. 316,178	4/1991	Uemura	D3/281 X
D. 347,730	6/1994	McAllister	D3/290
1,110,907	9/1914	Dean et al.	190/109
1,947,718	2/1934	Labodie et al.	190/115



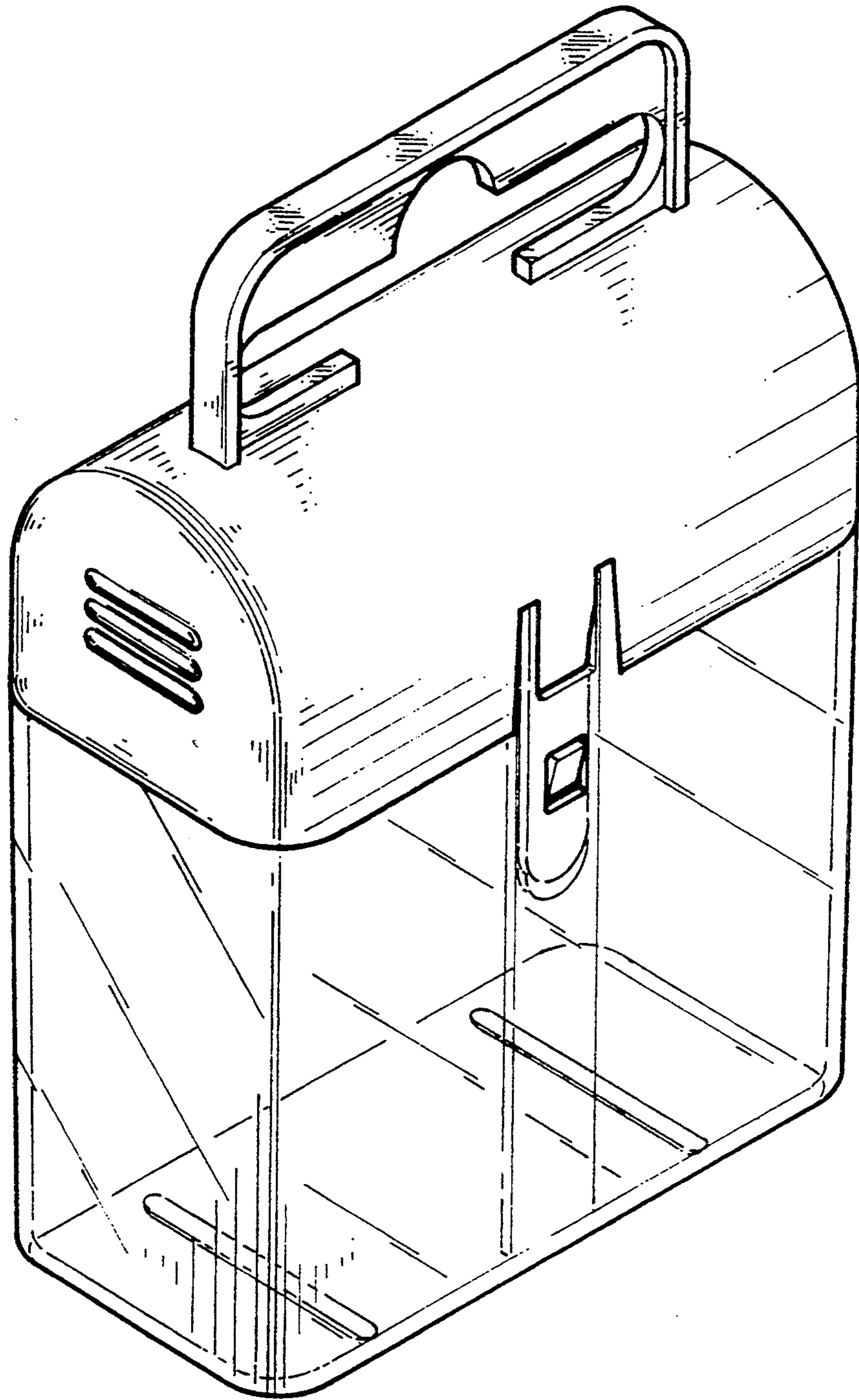


FIG. 1

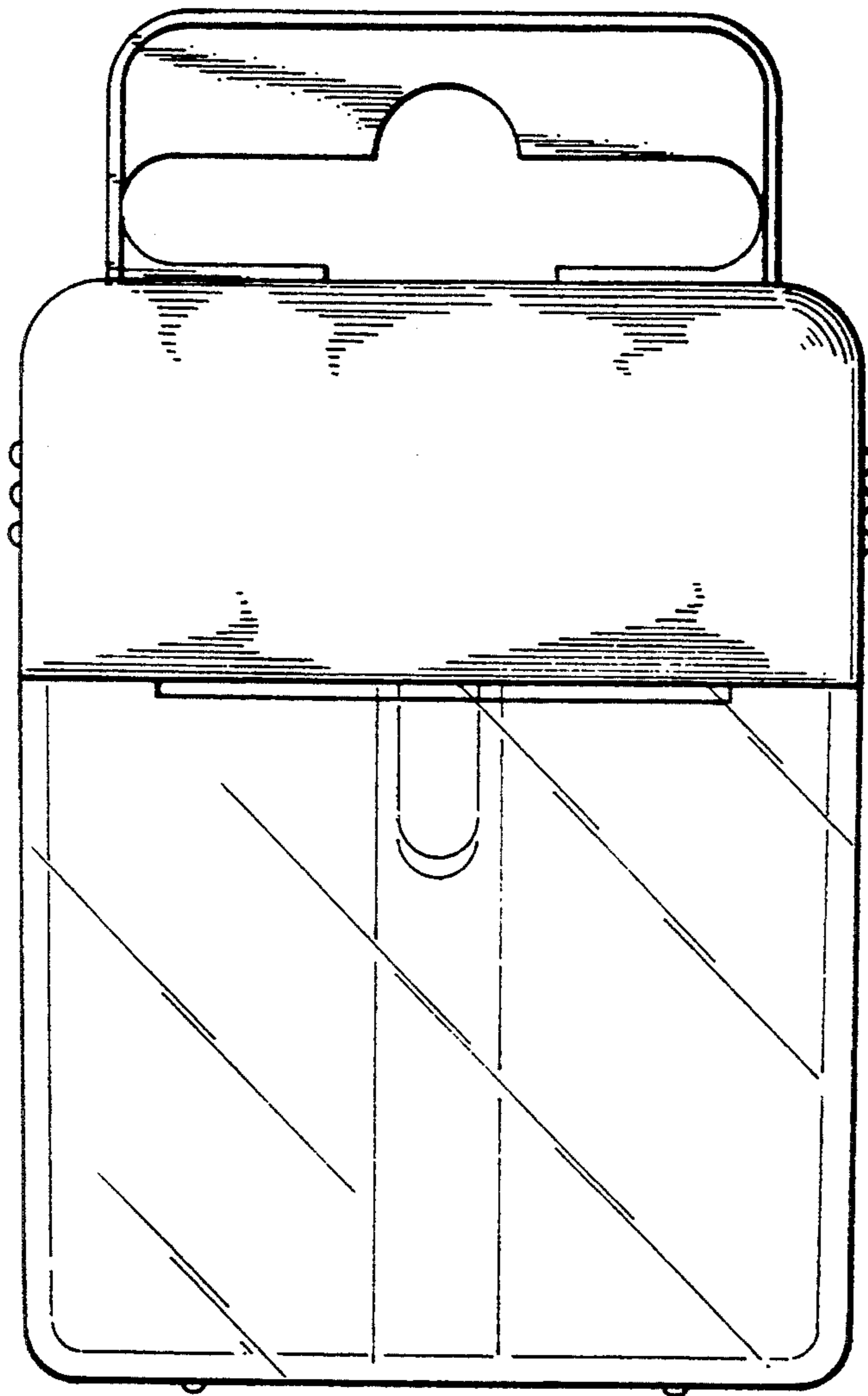


FIG. 2

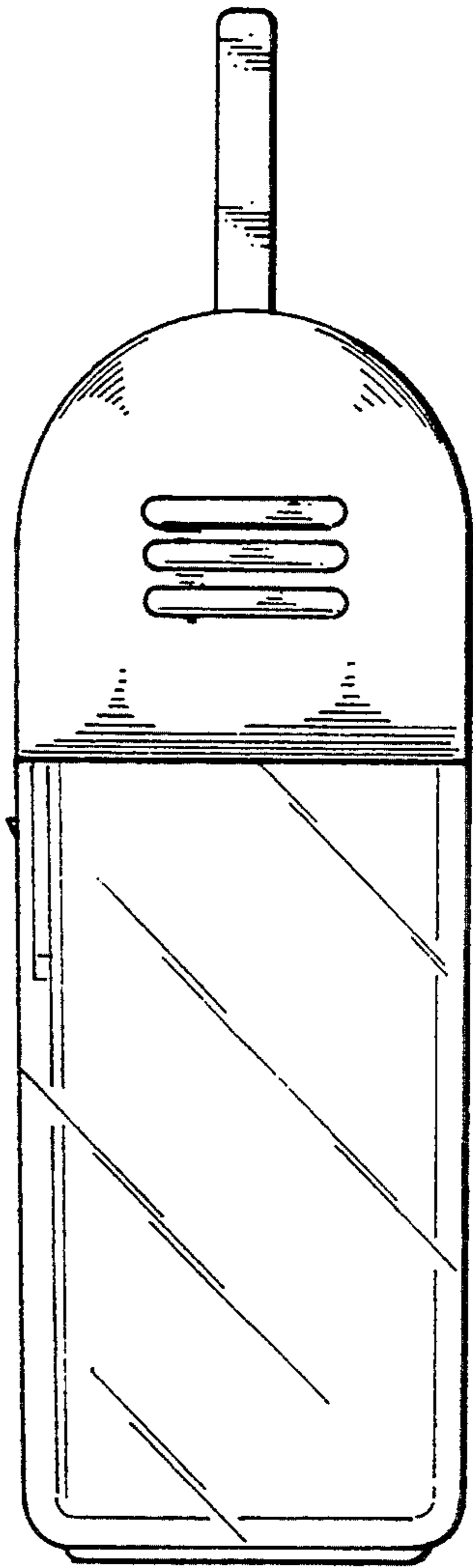


FIG. 4

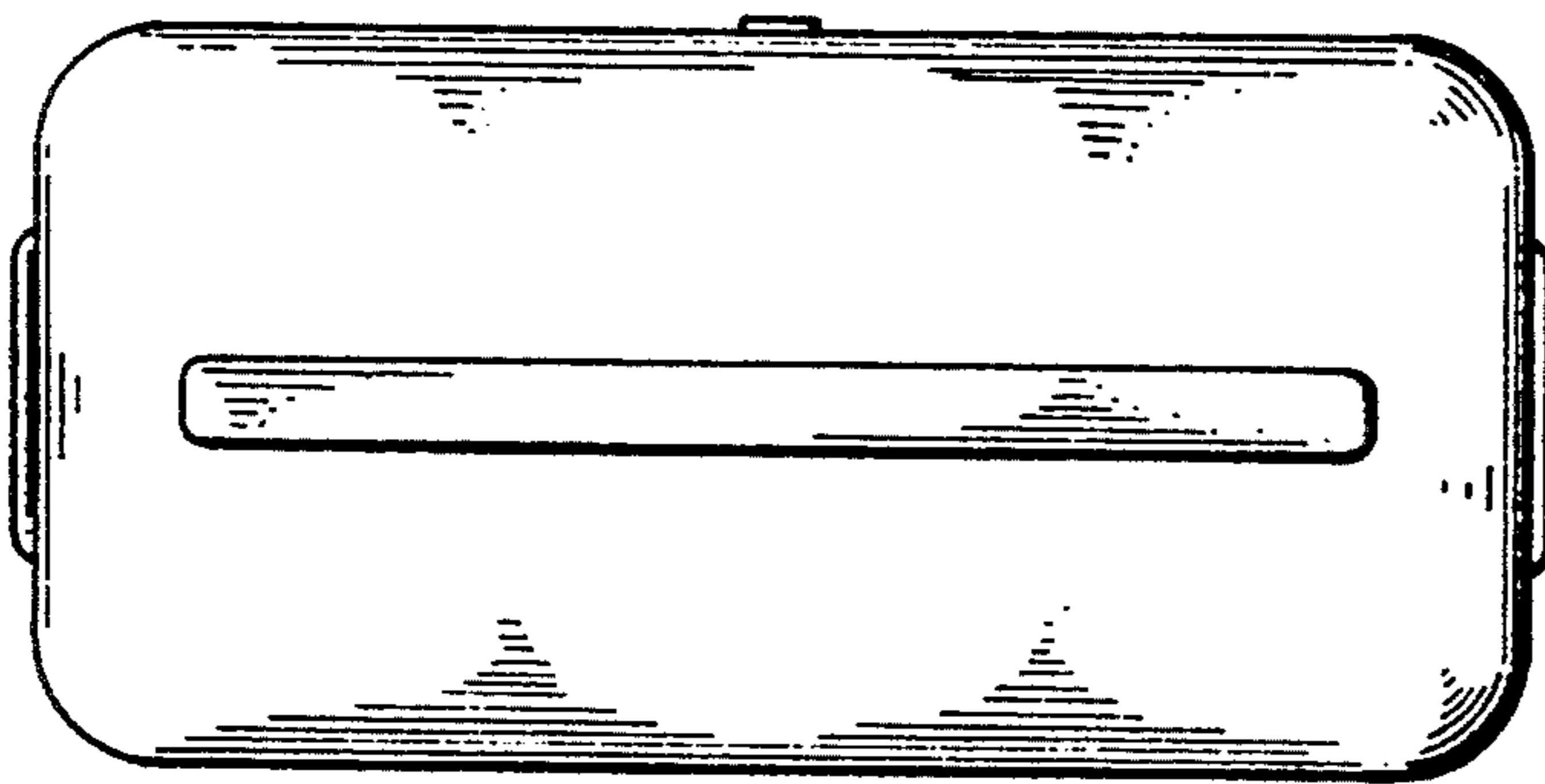


FIG. 6

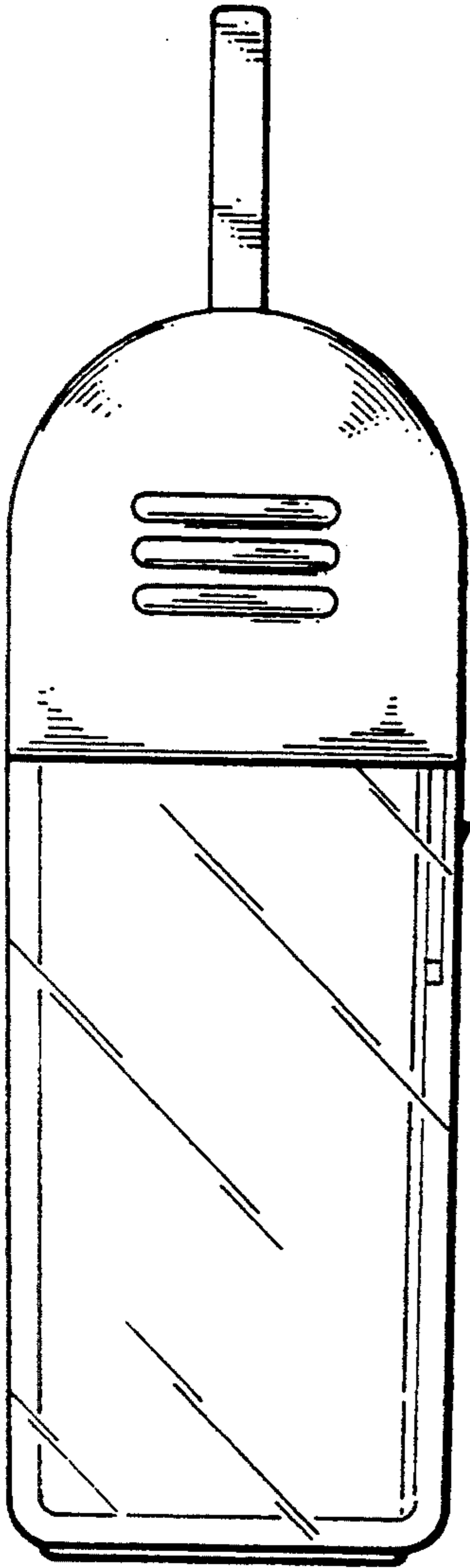


FIG. 5

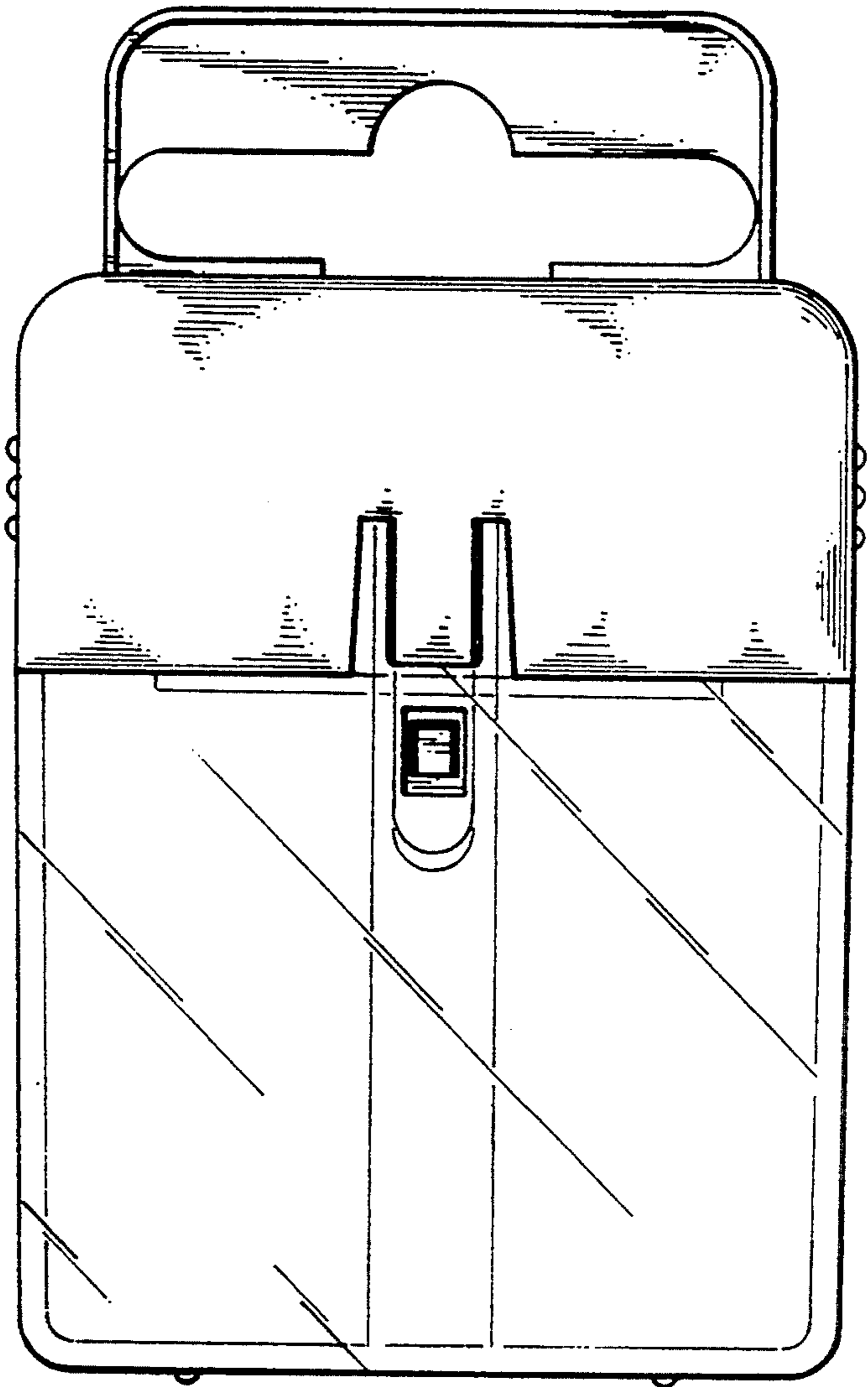


FIG. 3

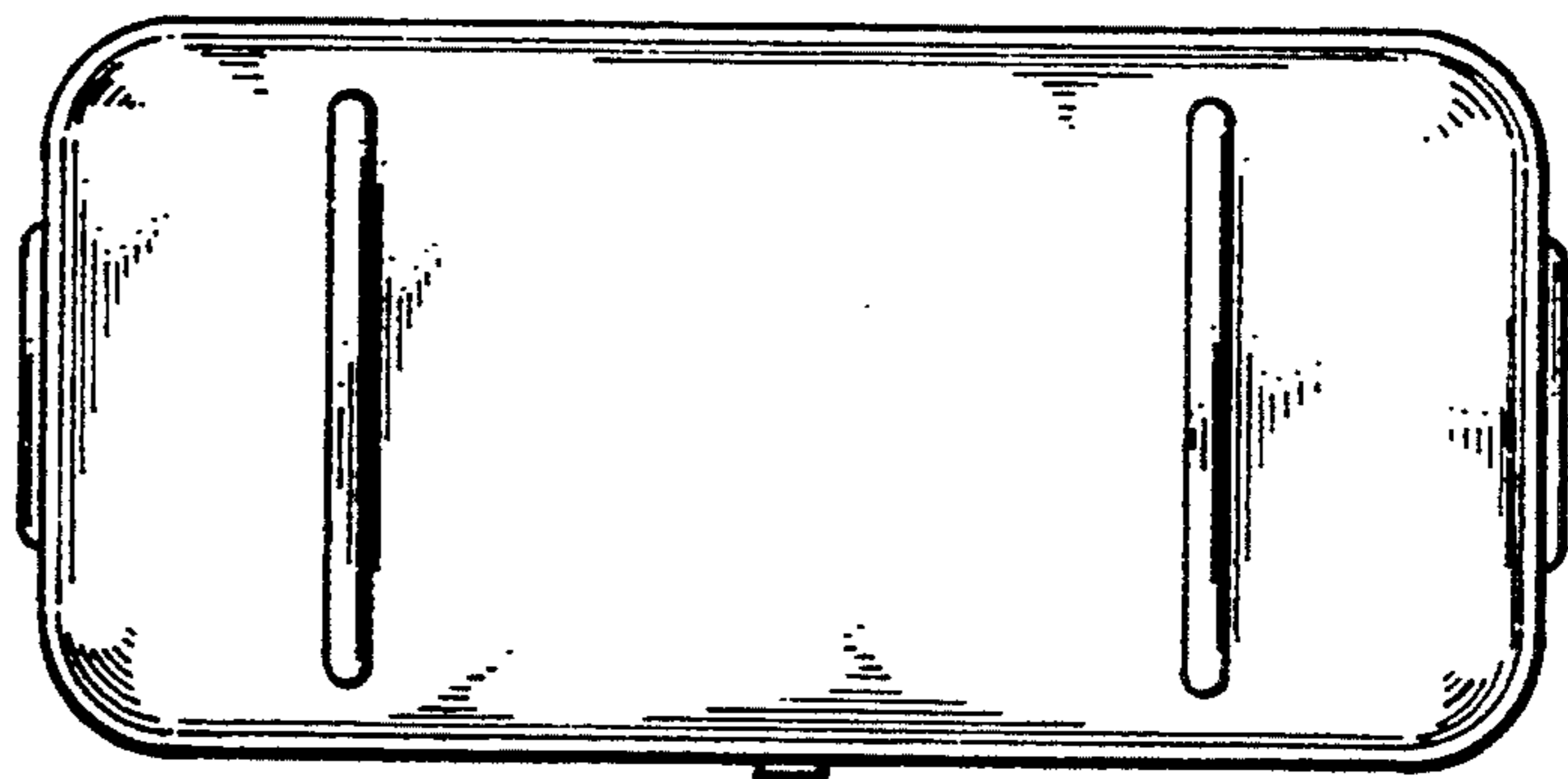


FIG. 7

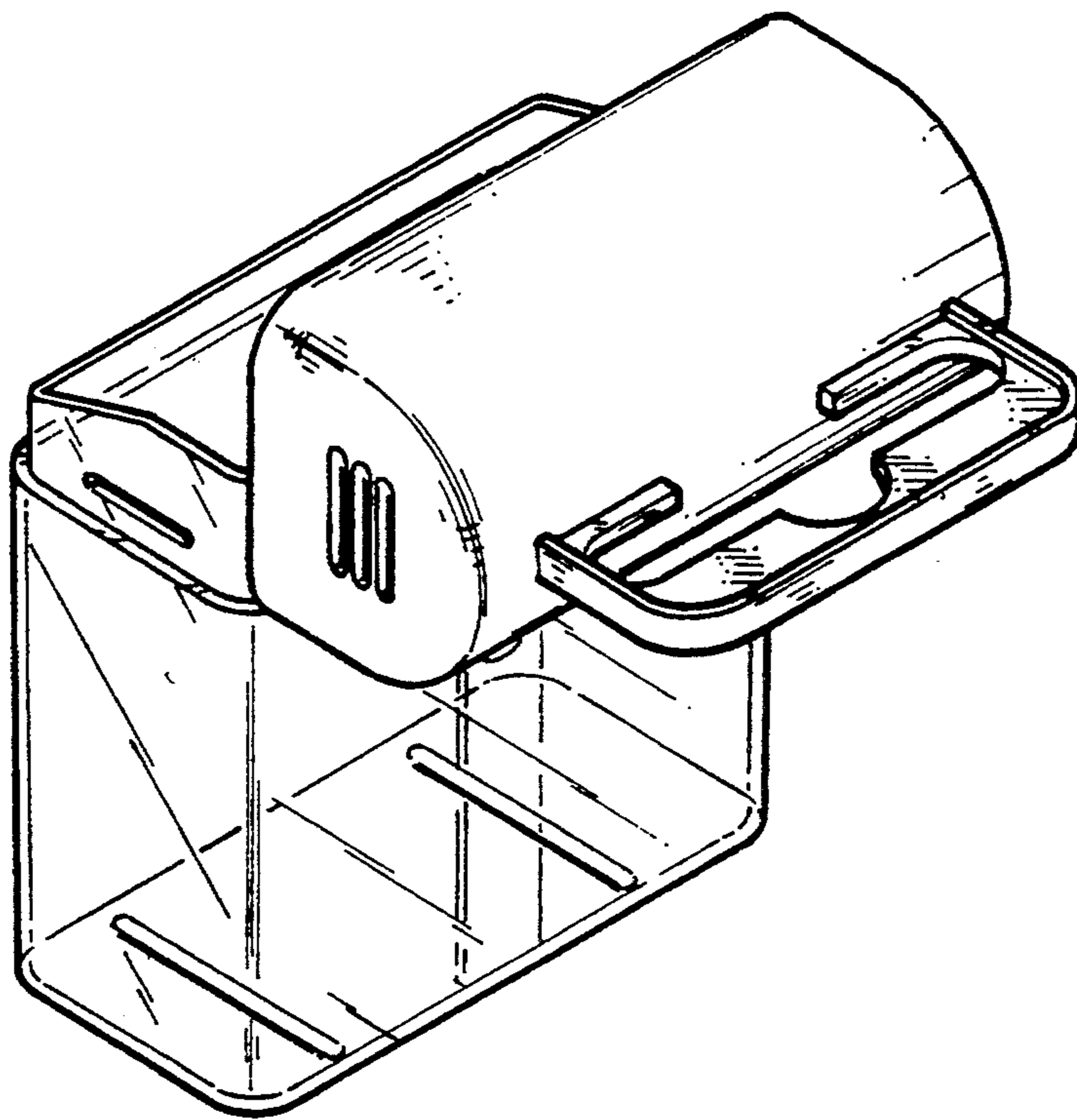


FIG. 8