



US00D360296S

United States Patent [19]

[11] Patent Number: Des. 360,296

Hunsaker

[45] Date of Patent: ** Jul. 18, 1995

[54] GOLF CLUB CONTAINER

[76] Inventor: Gary B. Hunsaker, 4475 Dupont Cir., #10, Ventura, Calif. 93003

[**] Term: 14 Years

[21] Appl. No.: 20,861

[22] Filed: Apr. 4, 1994

[52] U.S. Cl. D3/255

[58] Field of Search D3/255, 254, 269, 270, D3/272, 273, 276, 282, 204; D34/15; 206/315.1, 315.2, 315.3, 315.4, 315.5, 315.6, 315.7, 315.8, 315.9, 314

[56] References Cited

U.S. PATENT DOCUMENTS

D. 201,487	6/1965	De Vos	D3/204
D. 222,688	11/1971	Canton	D3/254
D. 263,652	4/1982	Peavey	D3/204
D. 265,146	6/1982	Rake et al.	D3/204
D. 349,402	8/1994	Fiore	D3/255

OTHER PUBLICATIONS

Hammacher Schlemmer Holiday, The Traveler's Golf Bag, 1990, p. 27.

Primary Examiner—Ruth McInroy
Assistant Examiner—Catherine R. Oliver
Attorney, Agent, or Firm—Allan M. Shapiro

[57] CLAIM

The ornamental design for a golf club container, as shown and described.

DESCRIPTION

FIG. 1 is a perspective view from the front, right side and bottom end of a golf club container, showing my new design;

FIG. 2 is a perspective view from the rear, right side and top end thereof;

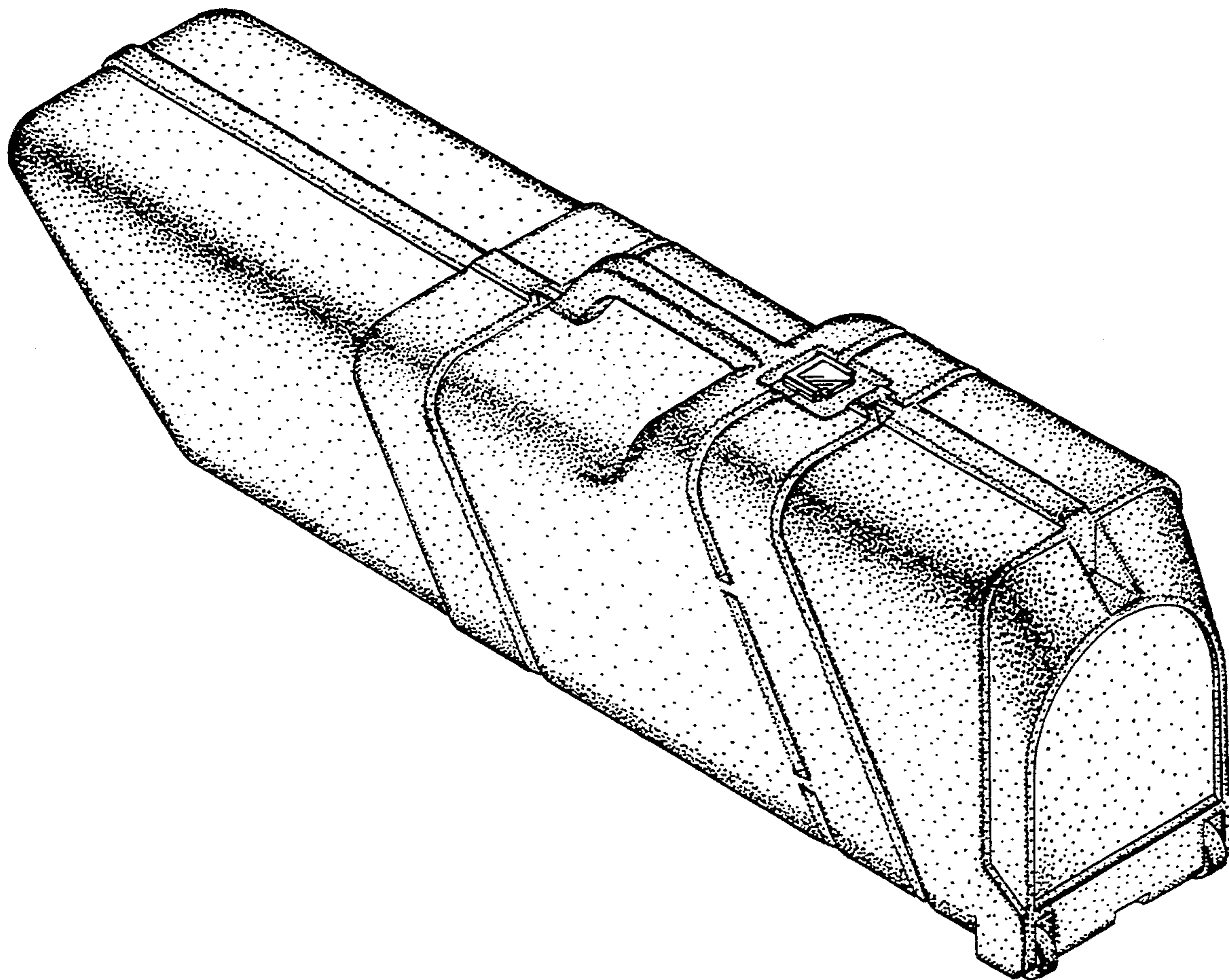
FIG. 3 is a left side elevational view with the opposite side being a mirror image thereof;

FIG. 4 is a front elevational view thereof;

FIG. 5 is a rear elevational view thereof;

FIG. 6 is a bottom end elevational view thereof; and,

FIG. 7 is a top elevational view thereof.



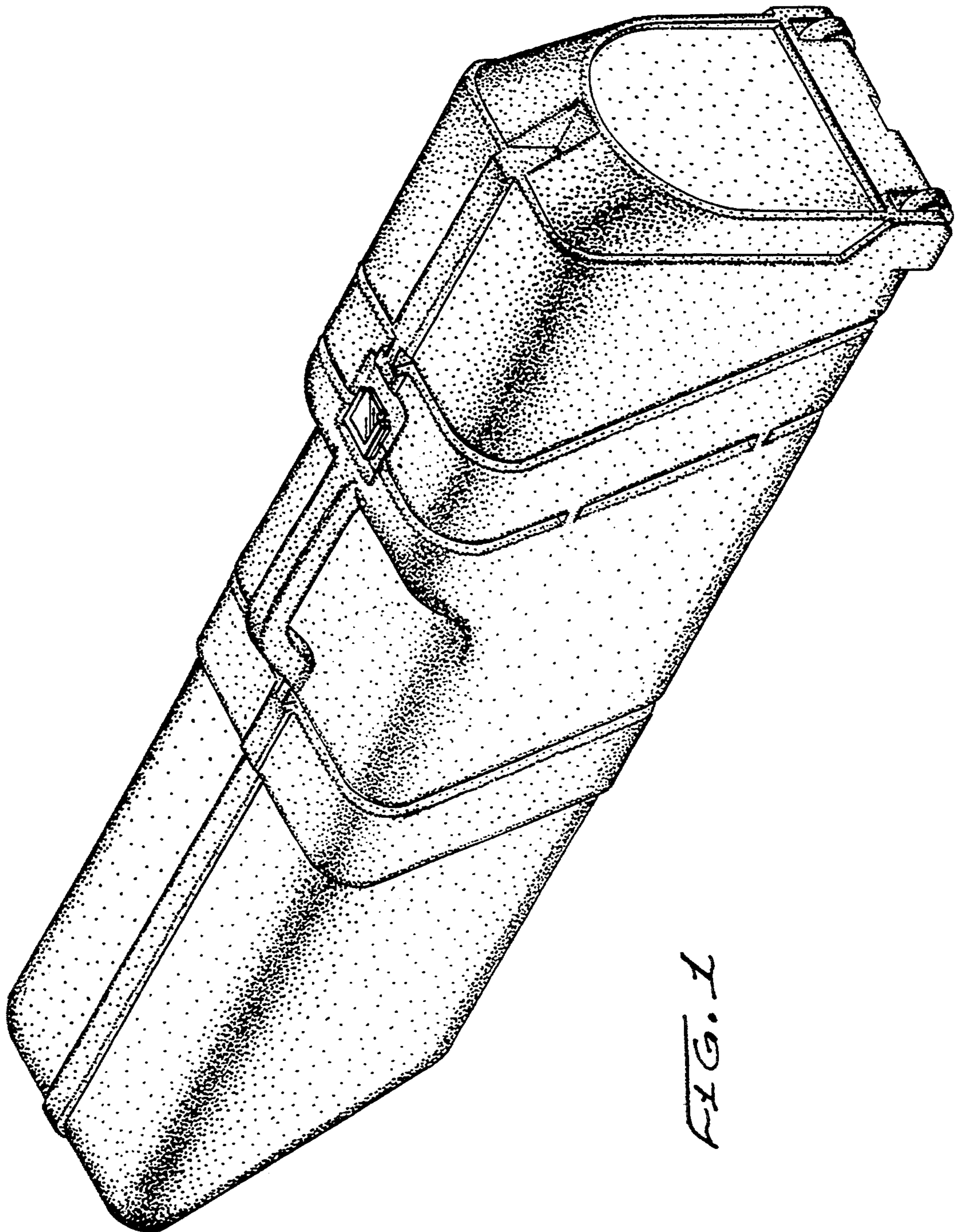
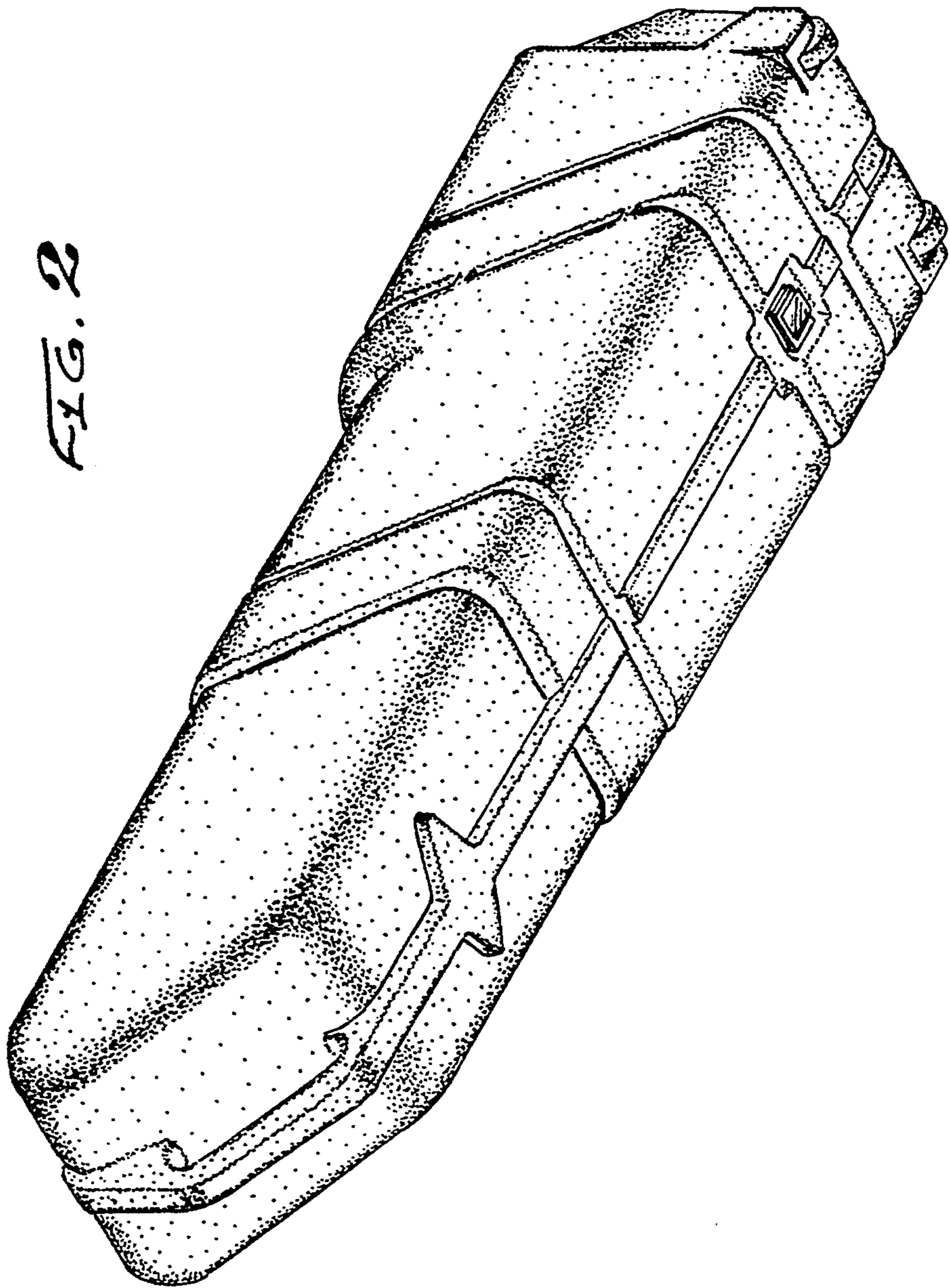


FIG. 1

FIG. 2



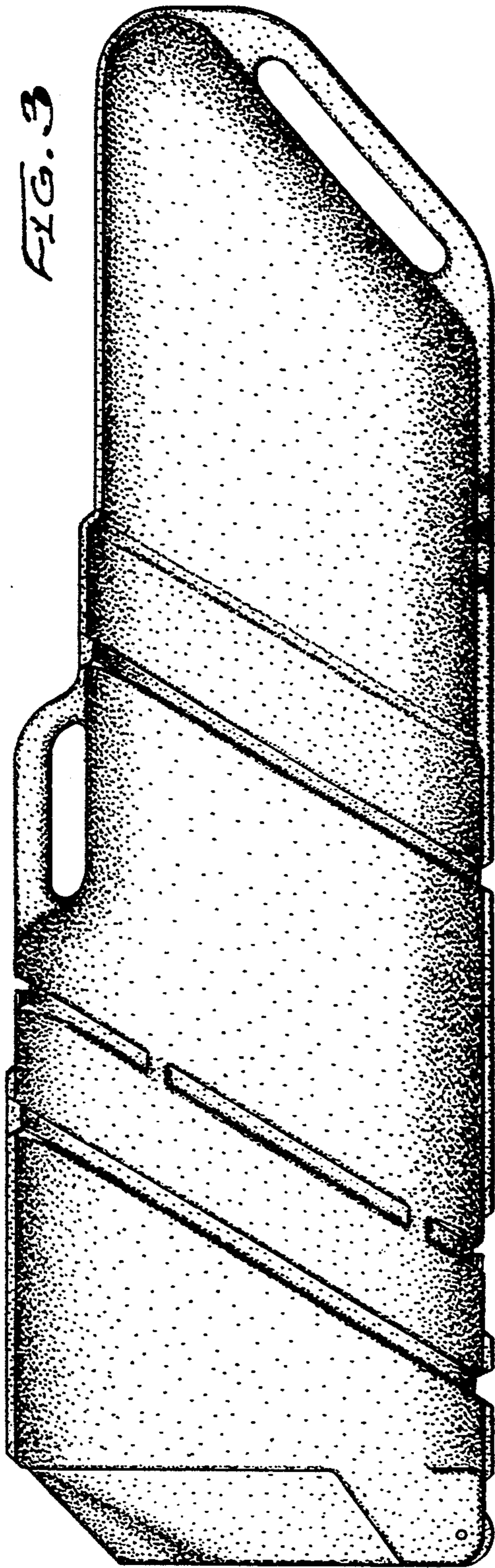


FIG. 4

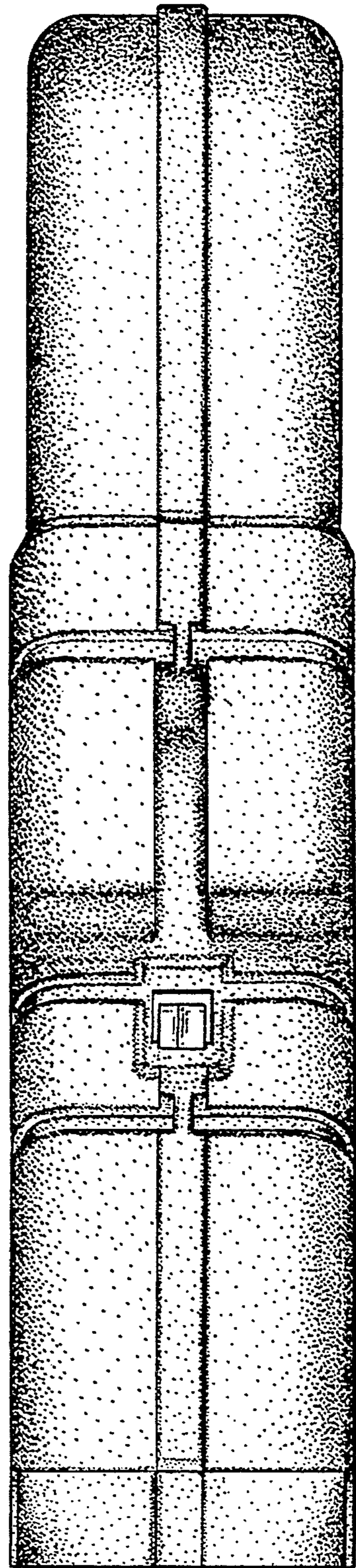


FIG. 5

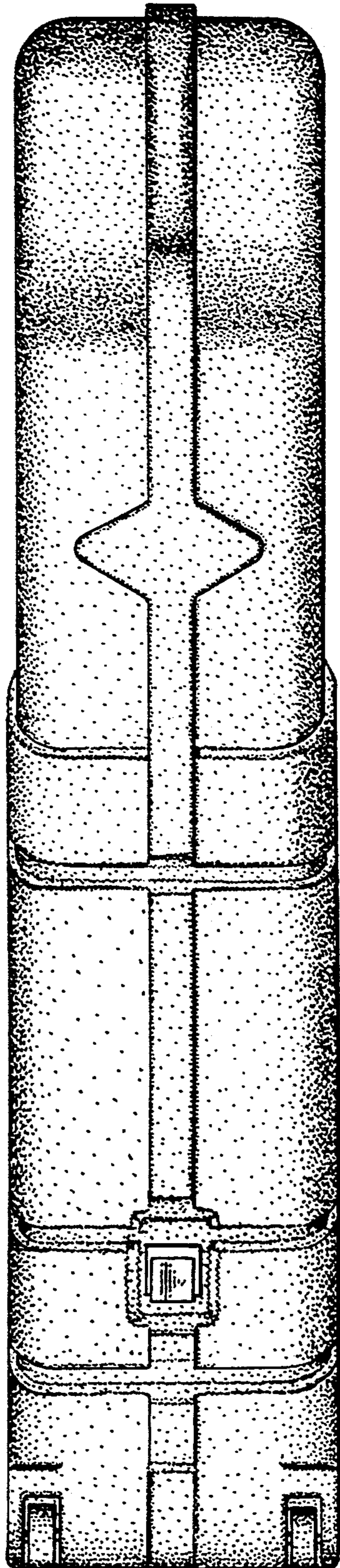


FIG. 7

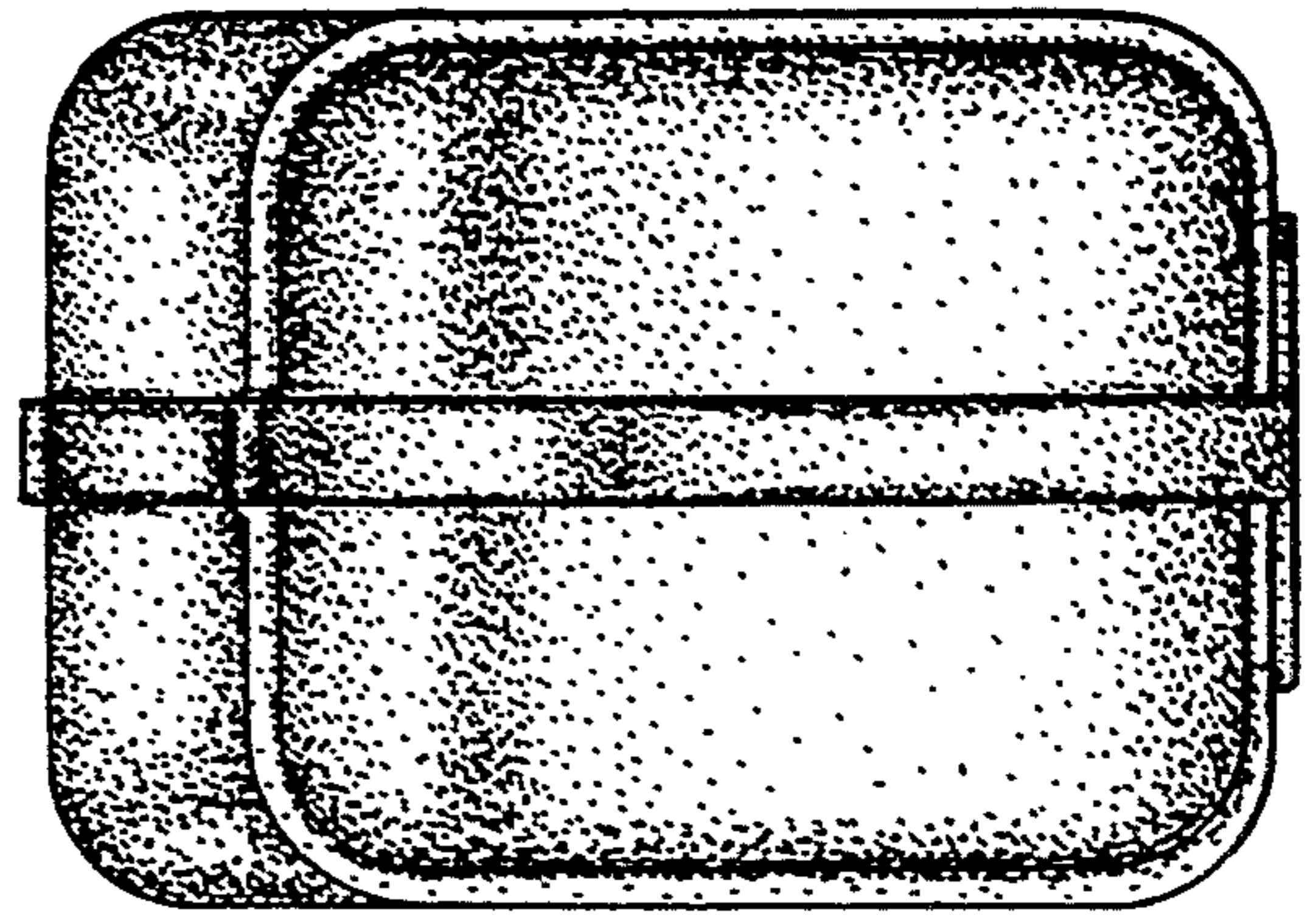


FIG. 6

