



US00D360290S

# United States Patent [19] McKinley

[11] Patent Number: **Des. 360,290**

[45] Date of Patent: **\*\* Jul. 18, 1995**

[54] **TWO PART HAT SHAPER**

[76] Inventor: **Don McKinley**, P.O. Box 754,  
Tucumcari, N. Mex. 88401

[\*] Notice: The portion of the term of this patent  
subsequent to Oct. 11, 2008 has been  
disclaimed.

[\*\*] Term: **14 Years**

[21] Appl. No.: **12,425**

[22] Filed: **Sep. 1, 1993**

[52] U.S. Cl. .... **D2/892**

[58] Field of Search ..... **D2/892, 871, 875, 865,  
D2/867; 2/175.8, 171.1, 175.2, 175.4, 175.5,  
195.5, 195.7**

[56] **References Cited**

**U.S. PATENT DOCUMENTS**

D. 351,273 10/1994 McKinley ..... **D2/892**  
1,899,636 2/1933 Raulerson ..... **2/195.5 X**  
2,418,764 4/1947 Ford ..... **2/195.5**

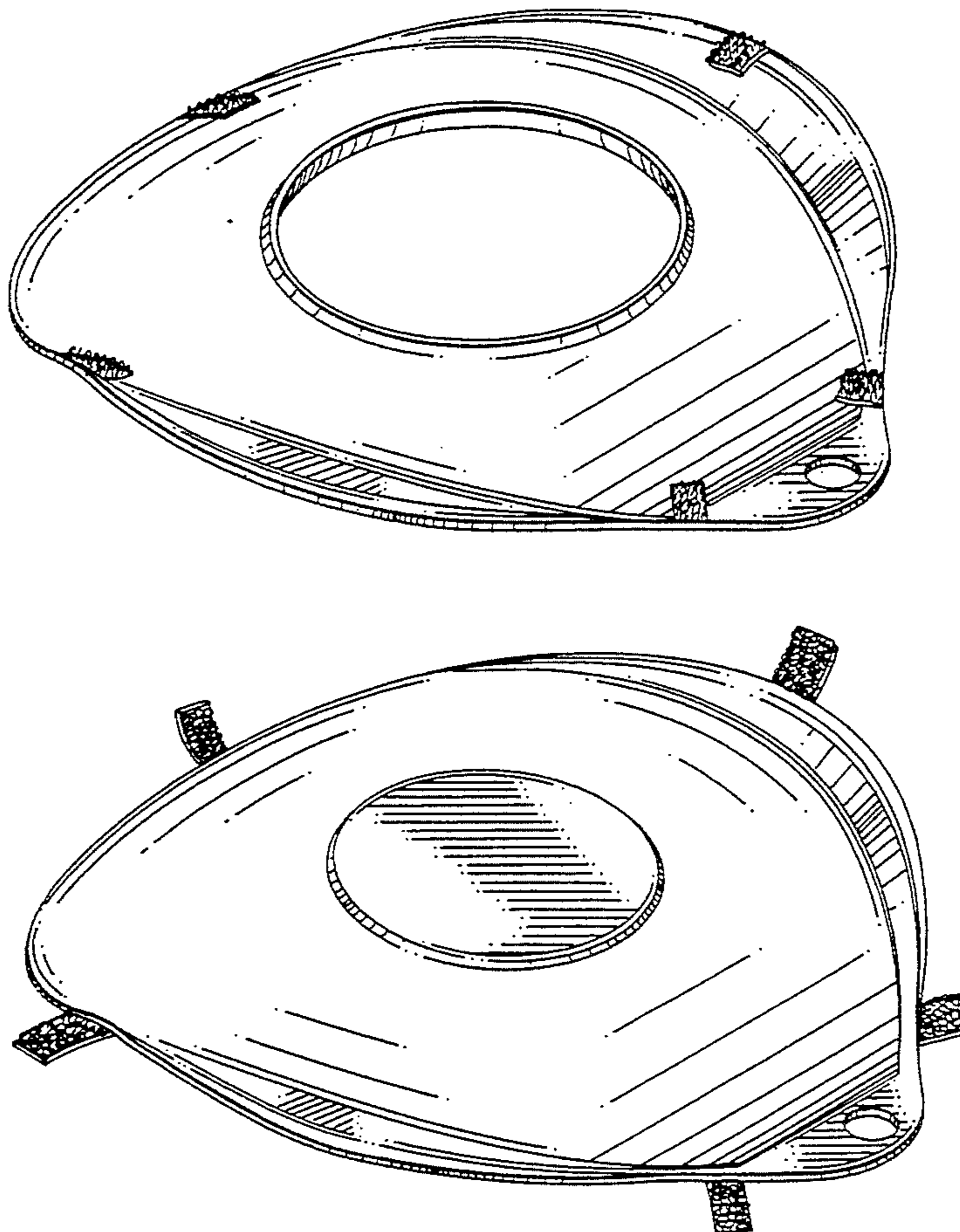
*Primary Examiner*—Theodore M. Shooman  
*Assistant Examiner*—Paula Mortimer  
*Attorney, Agent, or Firm*—Cahill, Sutton & Thomas

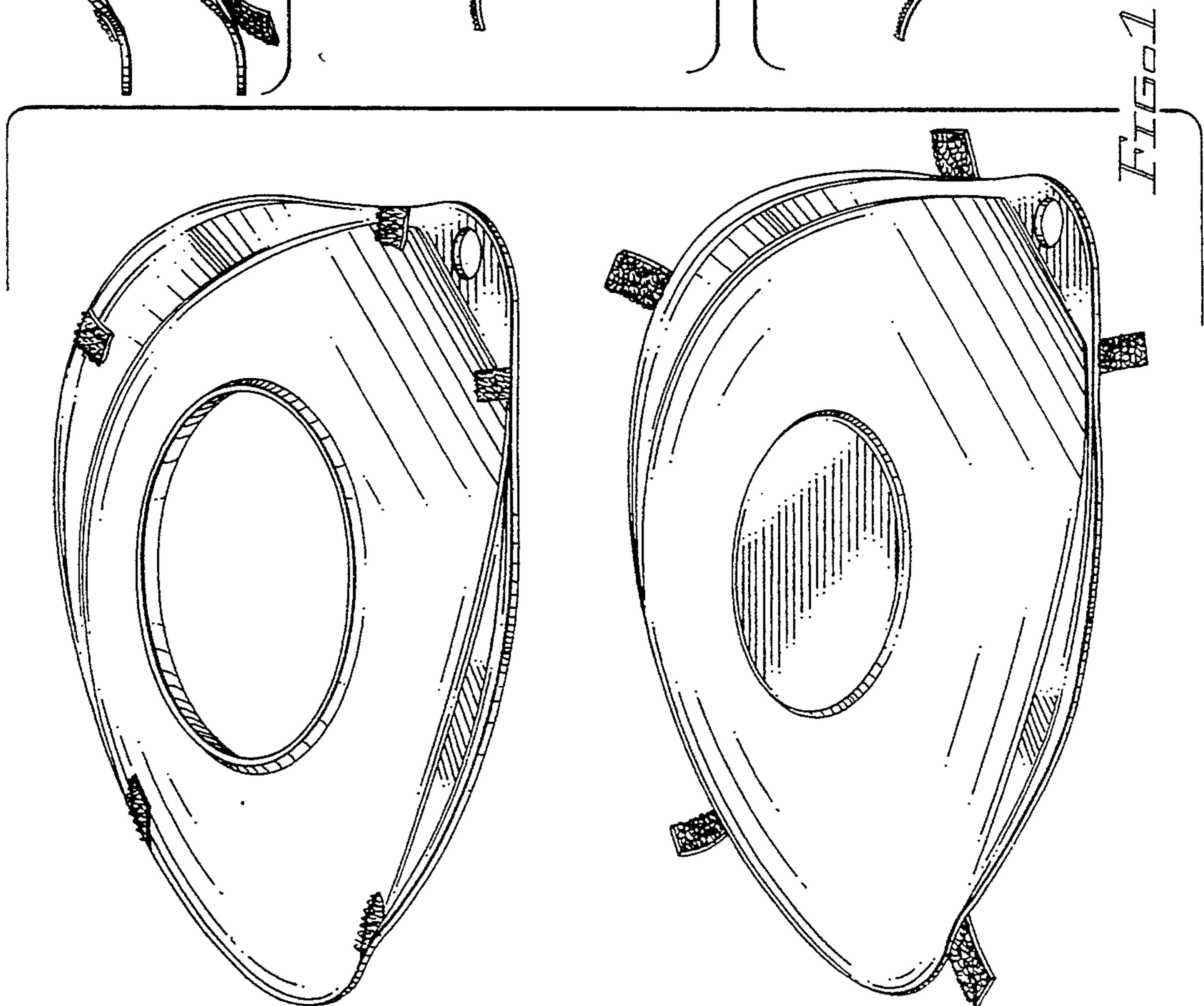
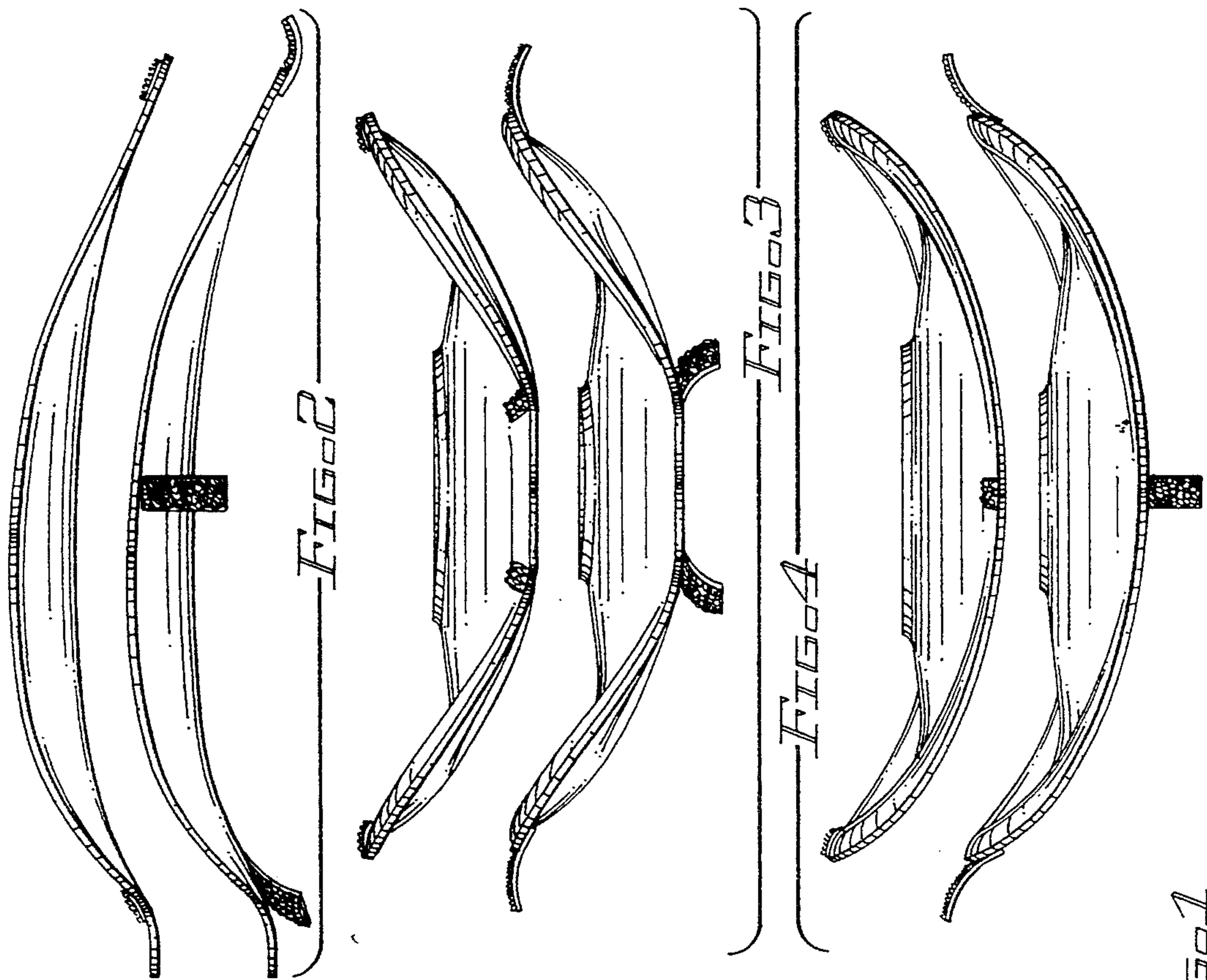
[57] **CLAIM**

The ornamental design for a two part hat shaper, as  
shown and described.

**DESCRIPTION**

FIG. 1 is a perspective view from above of a two part  
hat shaper showing my new design in an exploded view;  
FIG. 2 is a left side elevational view of the two part hat  
shaper in a disassembled state, the right side elevational  
view being a mirror image thereof;  
FIG. 3 is a front elevational view of the two part hat  
shaper in a disassembled state;  
FIG. 4 is a rear elevational view of the two part hat  
shaper in a disassembled state;  
FIG. 5 is a top plan view of the upper part of the two  
part hat shaper, shown separately for purposes of illus-  
tration;  
FIG. 6 is a top plan view of the lower part of the two  
part hat shaper, shown separately for purposes of illus-  
tration;  
FIG. 7 is a bottom plan view of the upper part of the  
two part hat shaper, shown separately for purposes of  
illustration; and,  
FIG. 8 is a bottom plan view of the lower part of the  
two part hat shaper, shown separately for purposes of  
illustration.





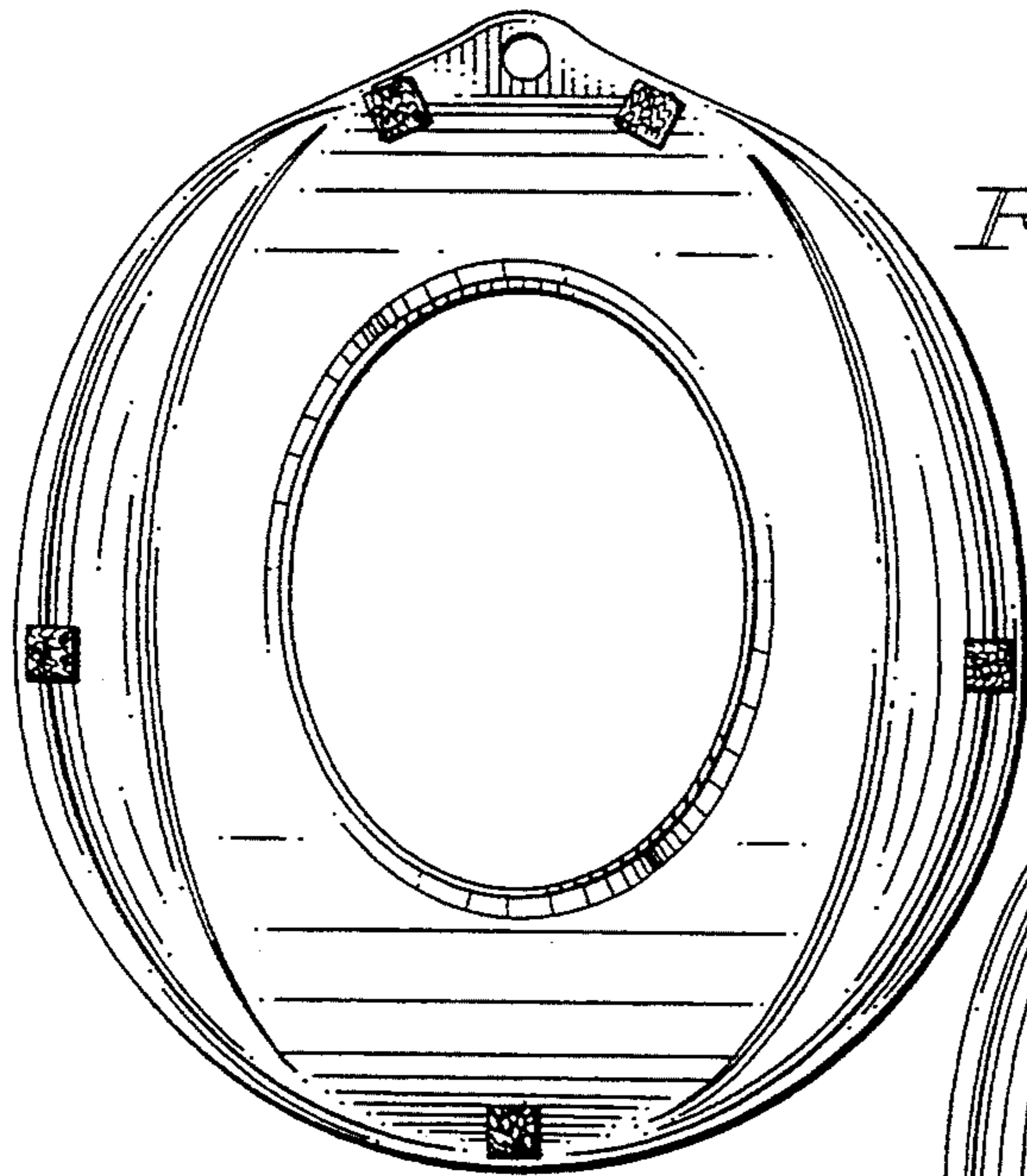


FIG. 5

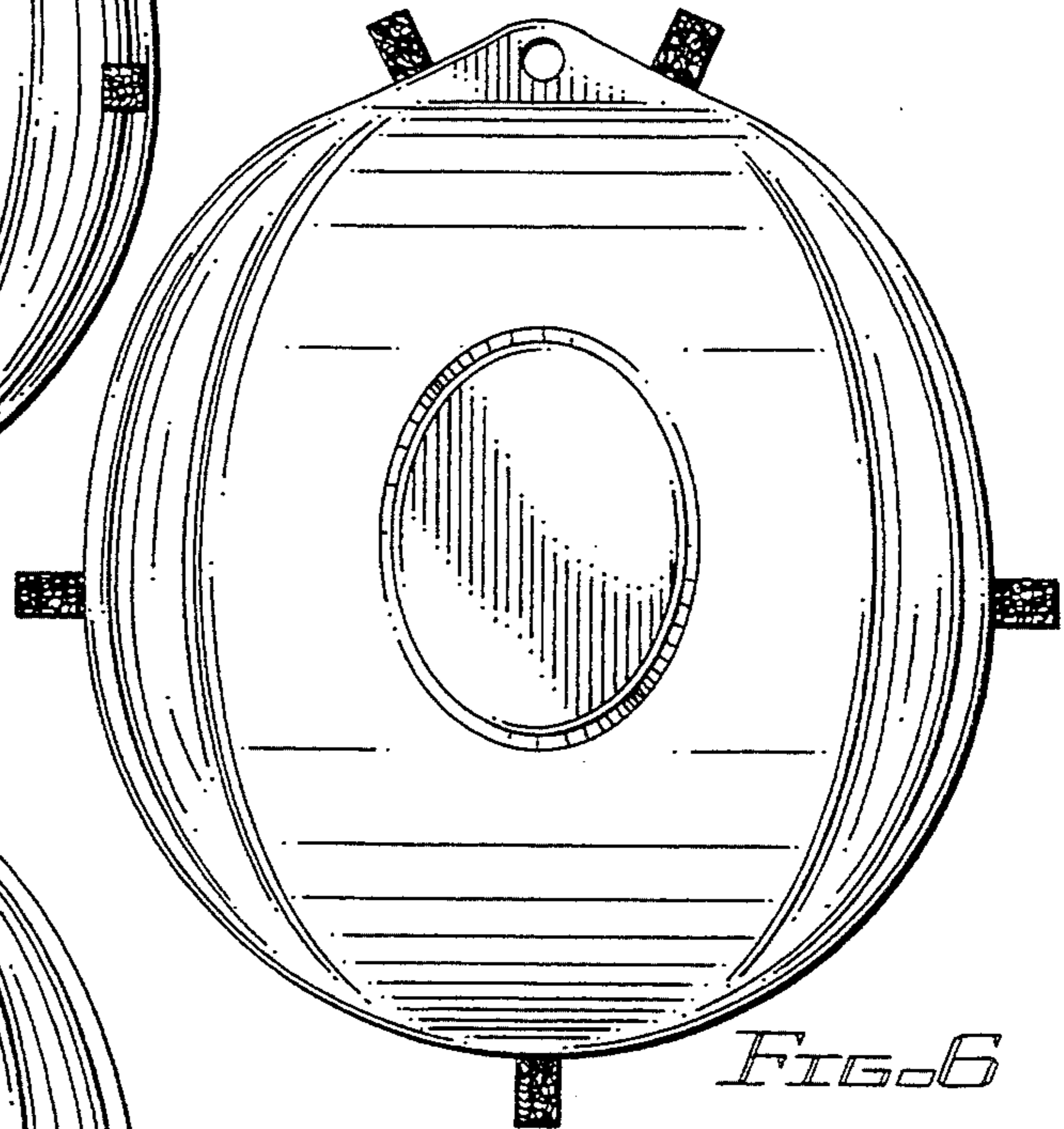


FIG. 6

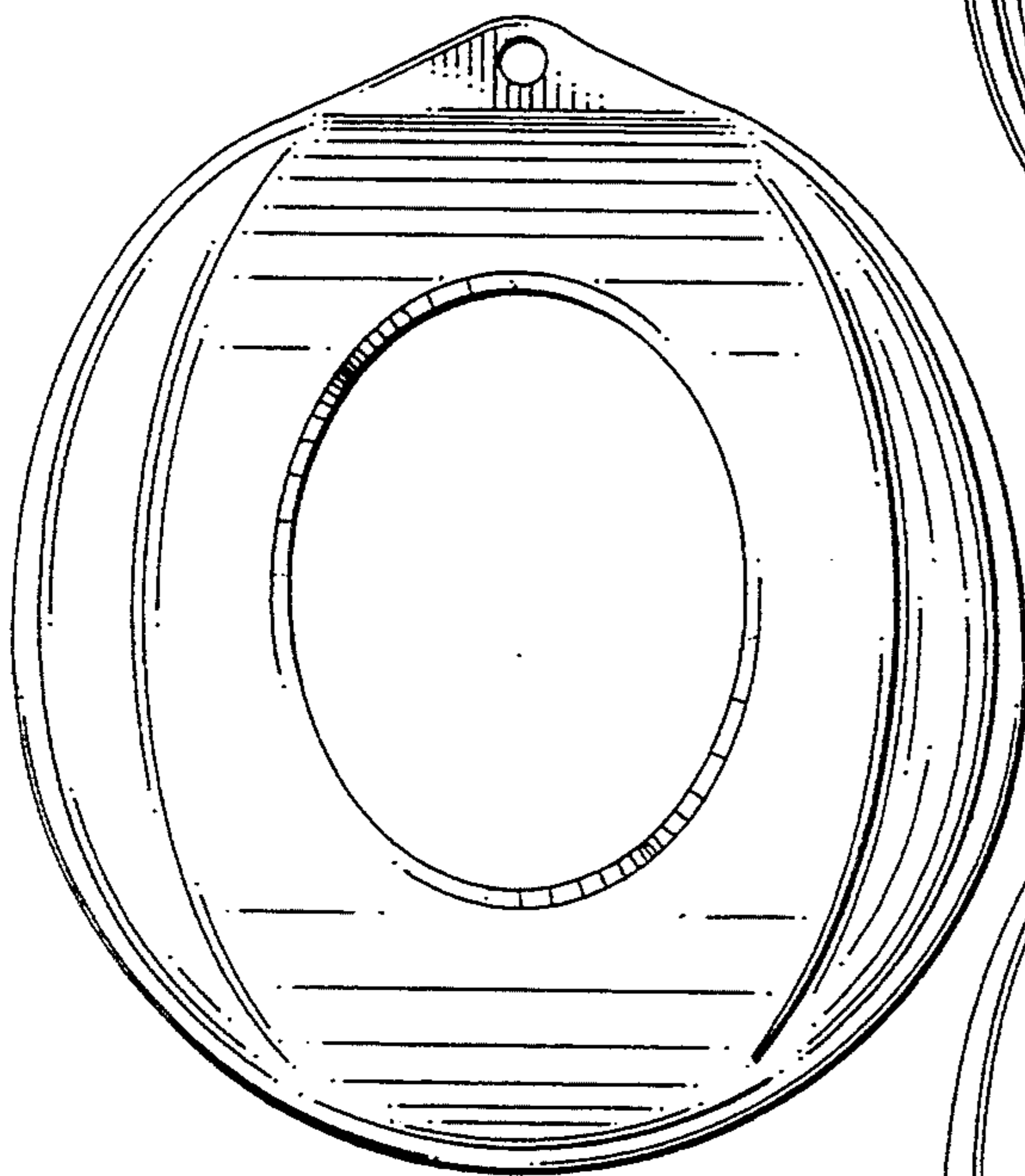


FIG. 7

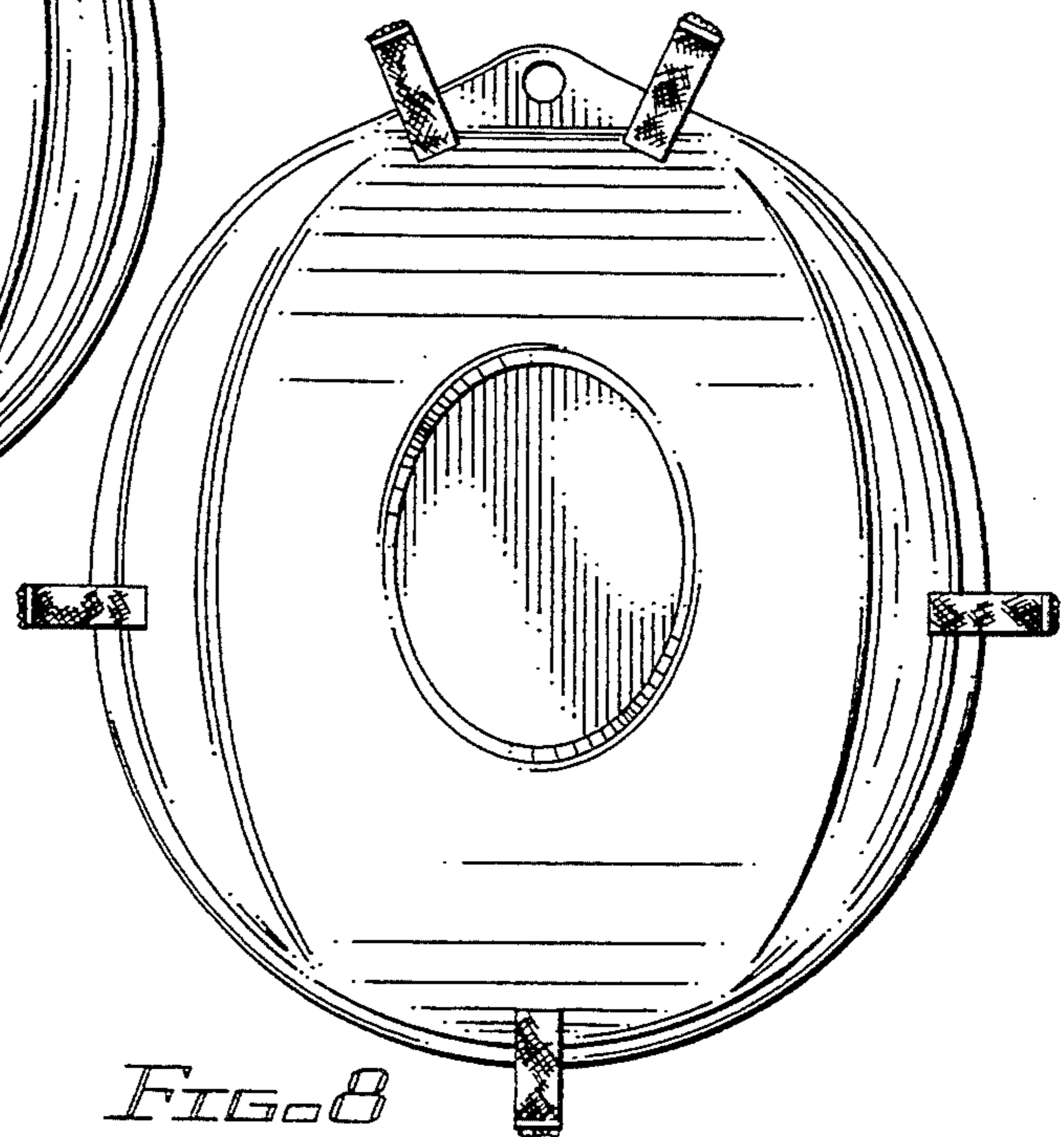


FIG. 8