



US00D360282S

# United States Patent [19]

Anzuoni, Jr. et al.

[11] Patent Number: **Des. 360,282**

[45] Date of Patent: **\*\* Jul. 11, 1995**

[54] **HAND HELD HAIR DRYER WITH RETRACTABLE CORD**

[76] Inventors: **Richard C. Anzuoni, Jr.; Christine Anzuoni**, both of 129 Lake of the Pines, East Stroudsburg, Pa. 18301

[\*\*] Term: **14 Years**

[21] Appl. No.: **8,490**

[22] Filed: **May 19, 1993**

[52] U.S. Cl. .... **D28/15; D28/13**

[58] Field of Search ..... **D28/13-18; 34/96-101; 393/384-385**

[56] **References Cited**

**U.S. PATENT DOCUMENTS**

D. 223,975	6/1972	Greubel .....	D28/13
2,591,669	4/1952	Bucknell et al. ....	392/383
4,464,582	8/1984	Aragaki et al. ....	34/96 X

**FOREIGN PATENT DOCUMENTS**

4105603	4/1992	Japan .....	392/384
2055573	3/1981	United Kingdom .....	392/385
2149985	6/1985	United Kingdom .....	392/385

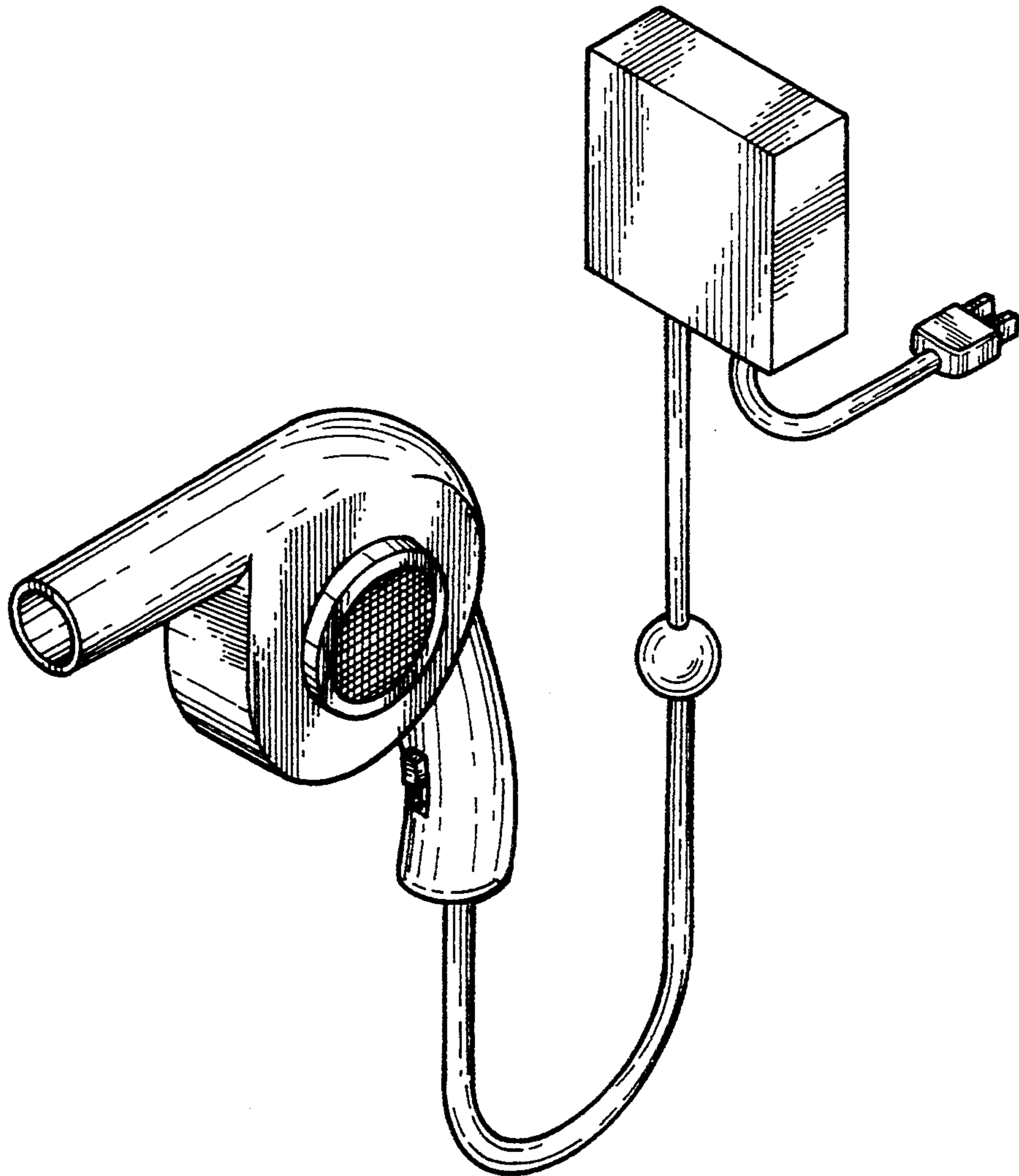
*Primary Examiner*—B. J. Bullock  
*Assistant Examiner*—C. Tuttle  
*Attorney, Agent, or Firm*—Terry M. Gernstein

[57] **CLAIM**

The ornamental design for a hand held hair dryer with retractable cord, as shown and described.

**DESCRIPTION**

FIG. 1 is a perspective view of the hand held hair dryer with retractable cord showing my new design; FIG. 2 is a front elevational view thereof; FIG. 3 is a rear elevational view thereof; FIG. 4 is a side elevational view thereof, the side opposite being a mirror image of the side shown in FIG. 4; FIG. 5 is a top plan view thereof; and, FIG. 6 is a bottom plan view thereof.



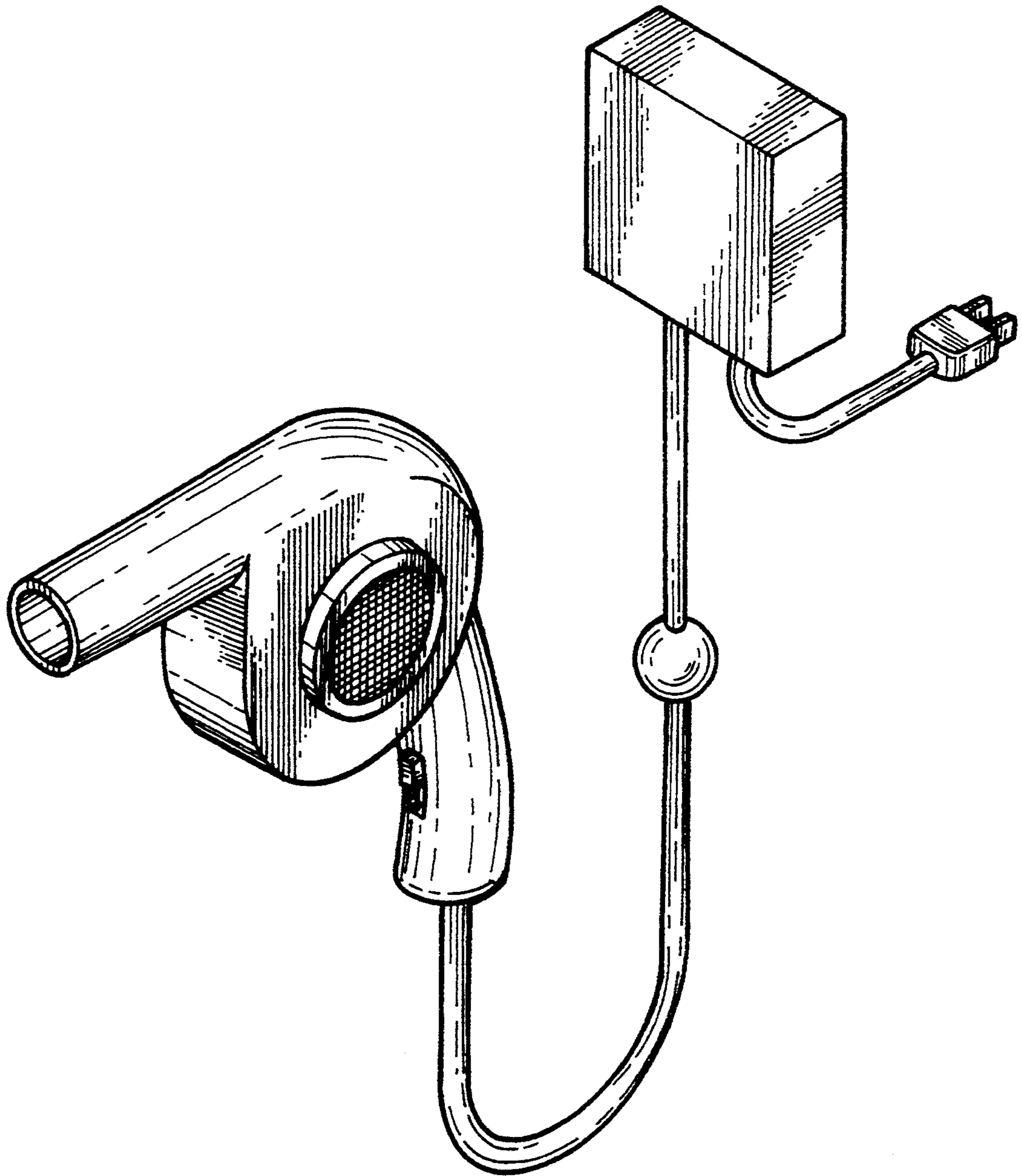


FIG. 1

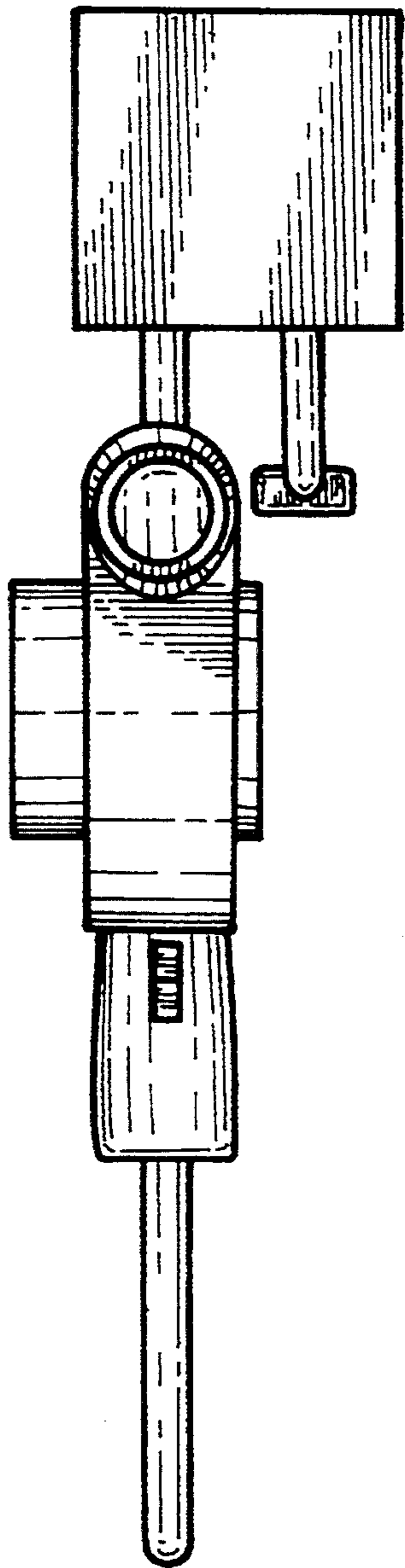


FIG. 2

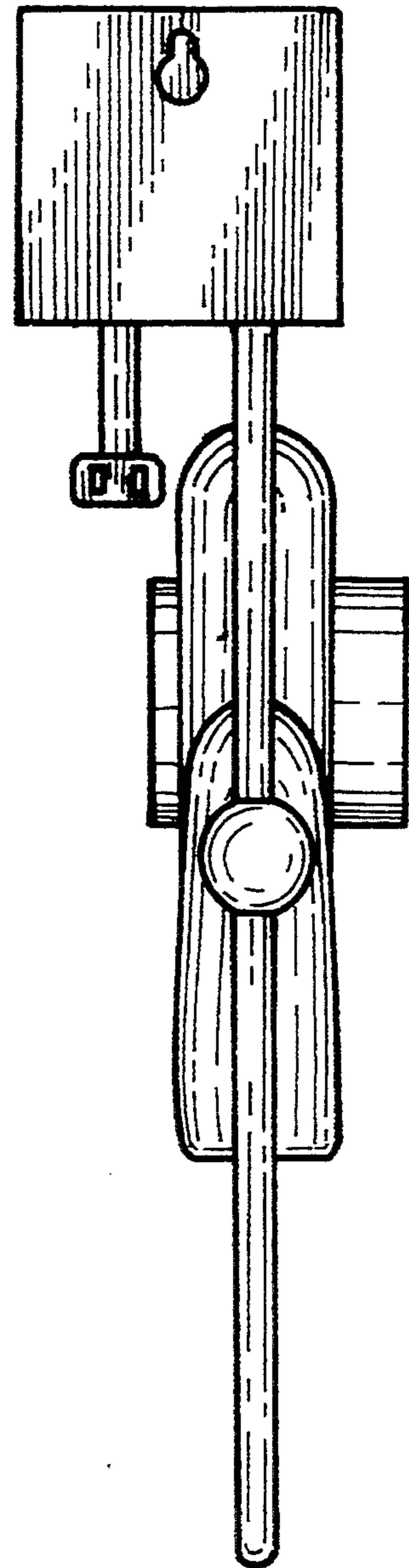


FIG. 3

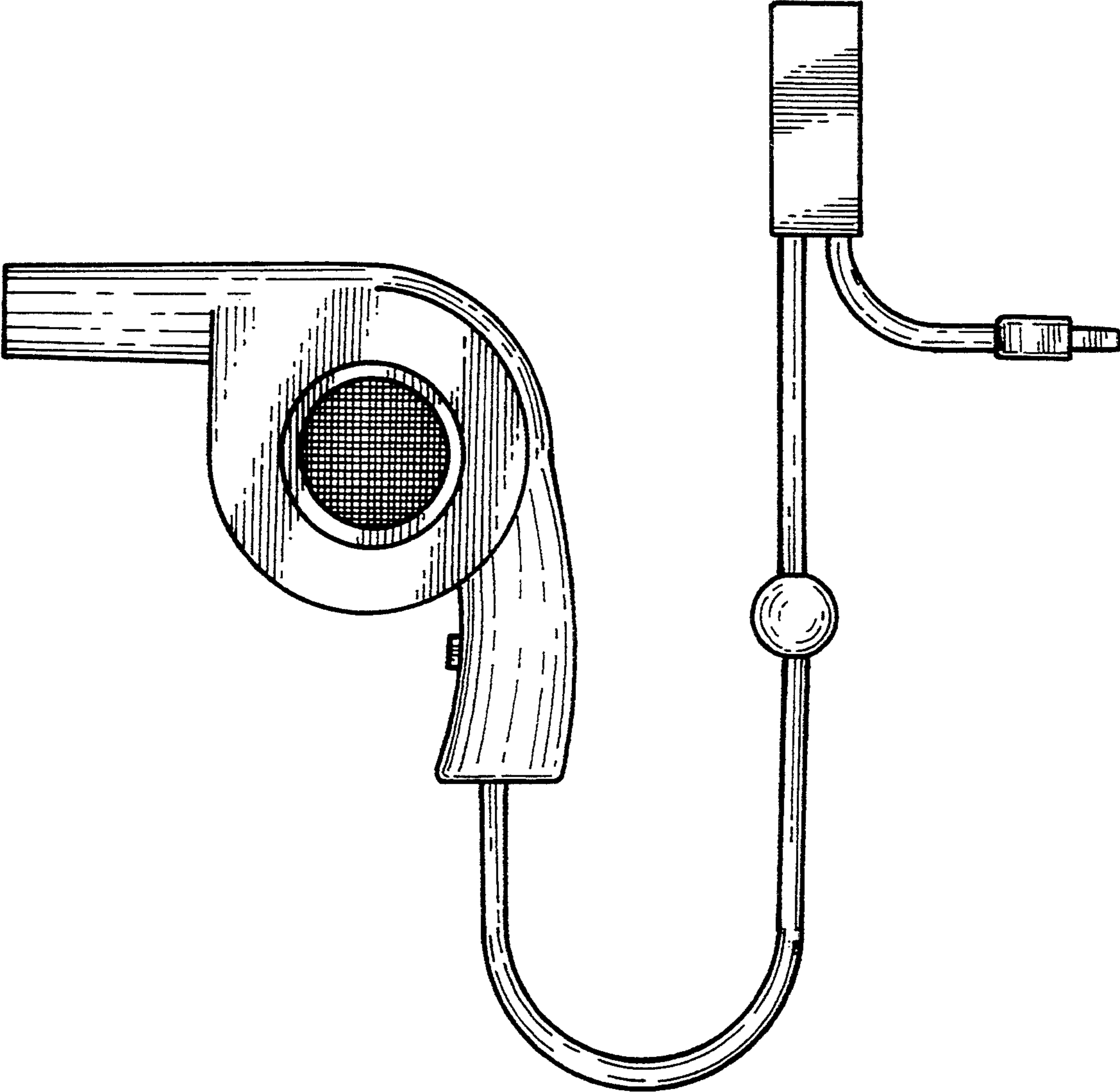


FIG. 4

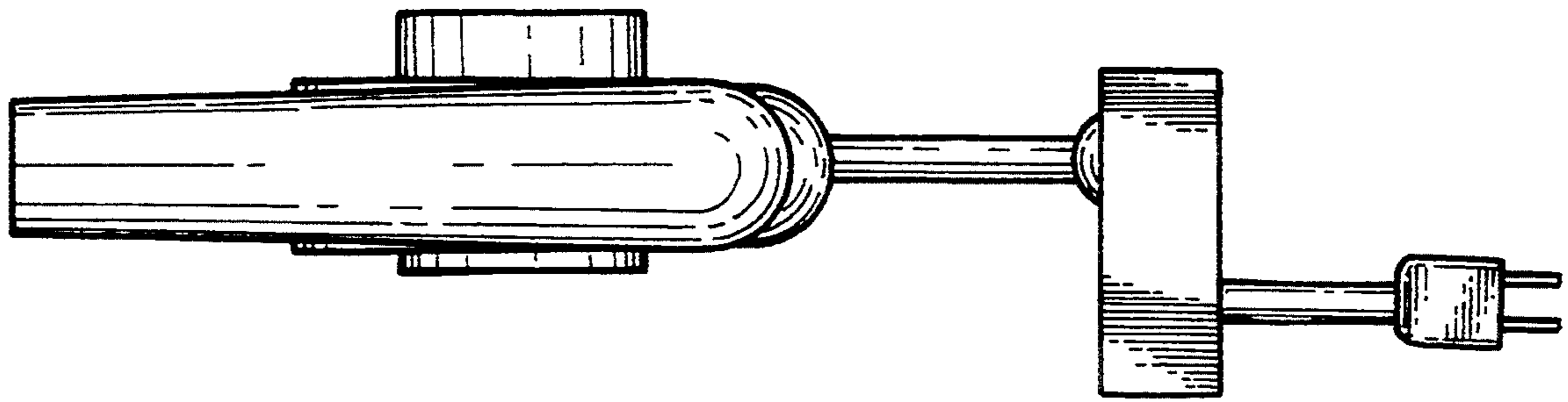


FIG. 5

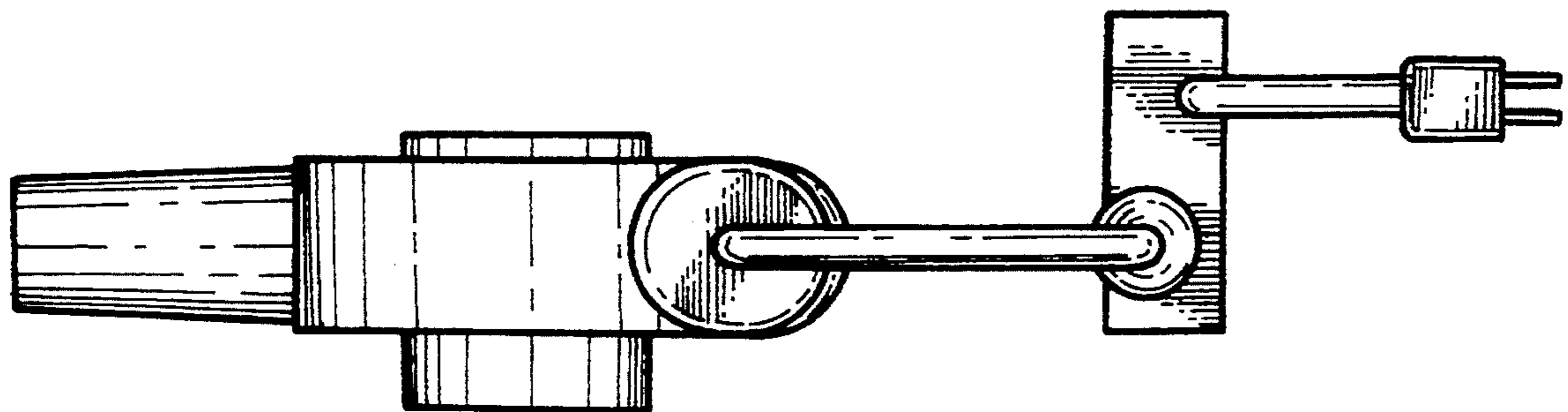


FIG. 6