



US00D360278S

United States Patent [19]
Chen

[11] **Patent Number: Des. 360,278**
[45] **Date of Patent: ** Jul. 11, 1995**

[54] **TABLE LAMP**

[76] **Inventor: Duncan Chen, c/o Hung Hsing**
Patent Service Center, P.O. Box
55-1670, Taipei, Taiwan

[**] **Term: 14 Years**

[21] **Appl. No.: 26,032**

[22] **Filed: Jul. 18, 1994**

[52] **U.S. Cl. D26/109**

[58] **Field of Search D26/93, 102-112;**
362/410, 411, 412, 414

[56] **References Cited**

U.S. PATENT DOCUMENTS

D. 331,814 12/1992 Meck et al. D26/109

OTHER PUBLICATIONS

Home Furnishings Daily, Dec. 26, 1988, p. 30, Signa-
ture Table Lamp.

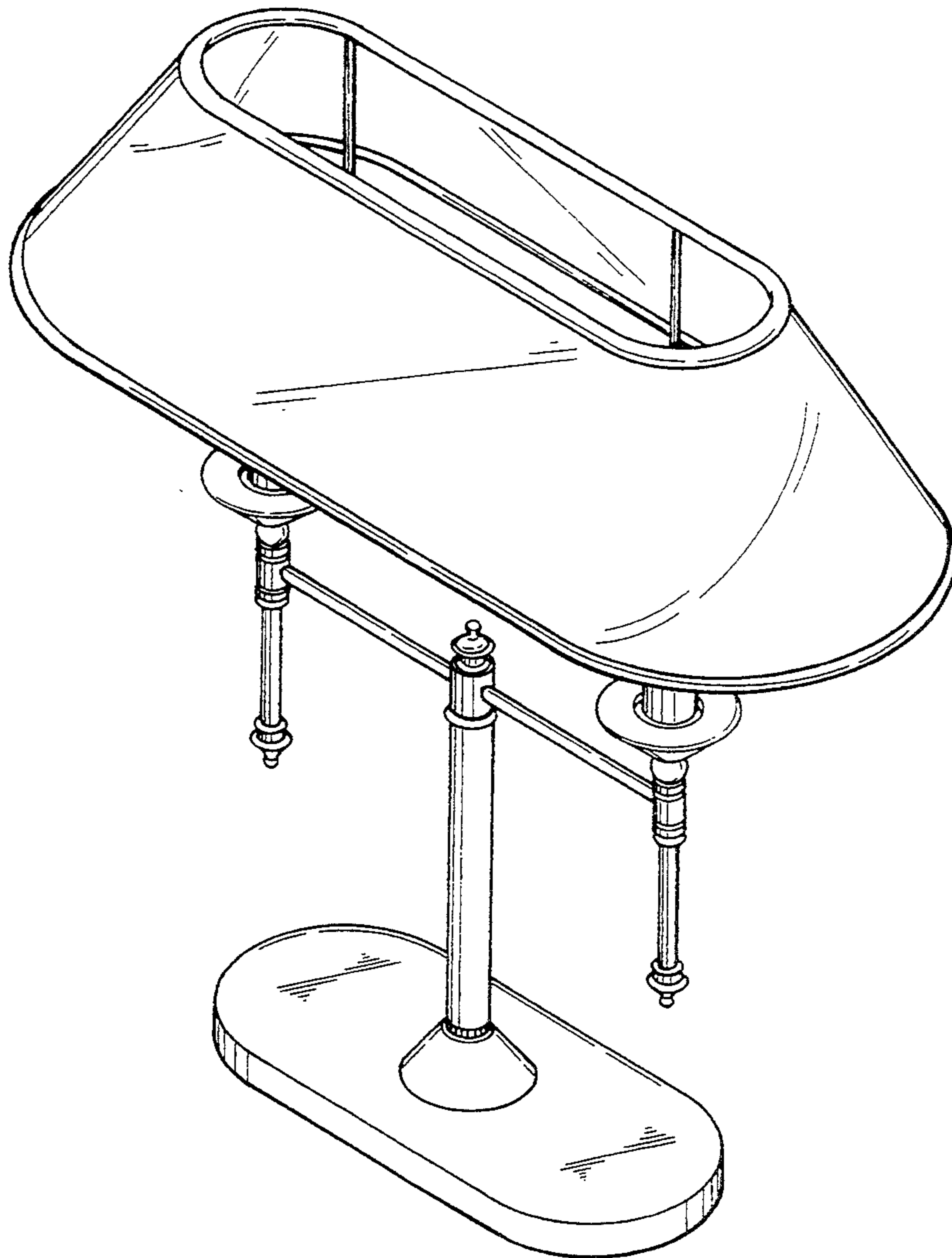
Primary Examiner—Susan J. Lucas

[57] **CLAIM**

The ornamental design for table lamp, as shown and
described.

DESCRIPTION

FIG. 1 is a front elevational view of a table lamp show-
ing my new design;
FIG. 2 is a rear elevational view;
FIG. 3 is a left side elevational view;
FIG. 4 is a right side elevational view;
FIG. 5 is a top plan view;
FIG. 6 is a bottom plan view; and,
FIG. 7 is a perspective view.
The oblique line shading on the lamp shade indicates
translucency.



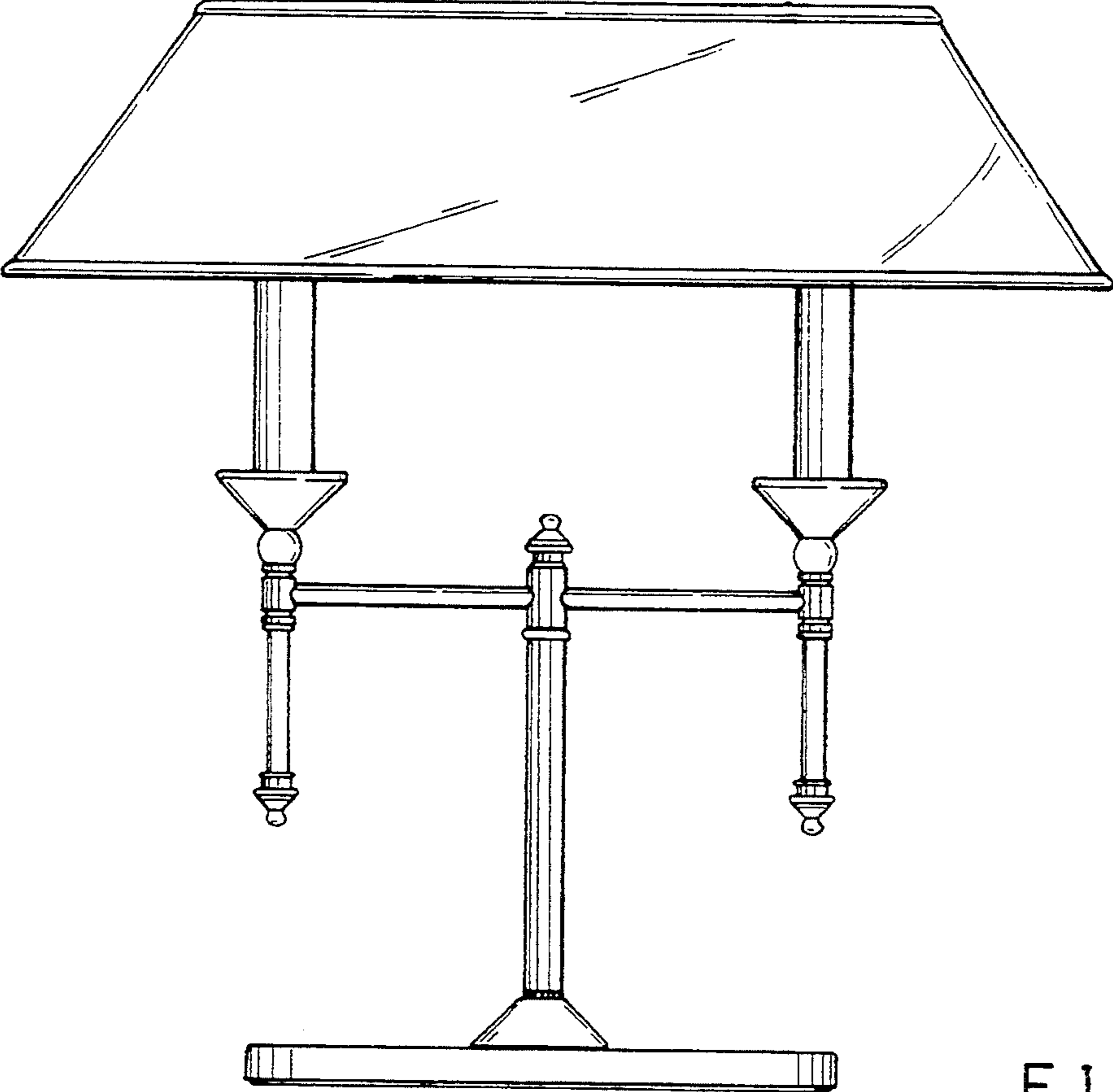


FIG. 1

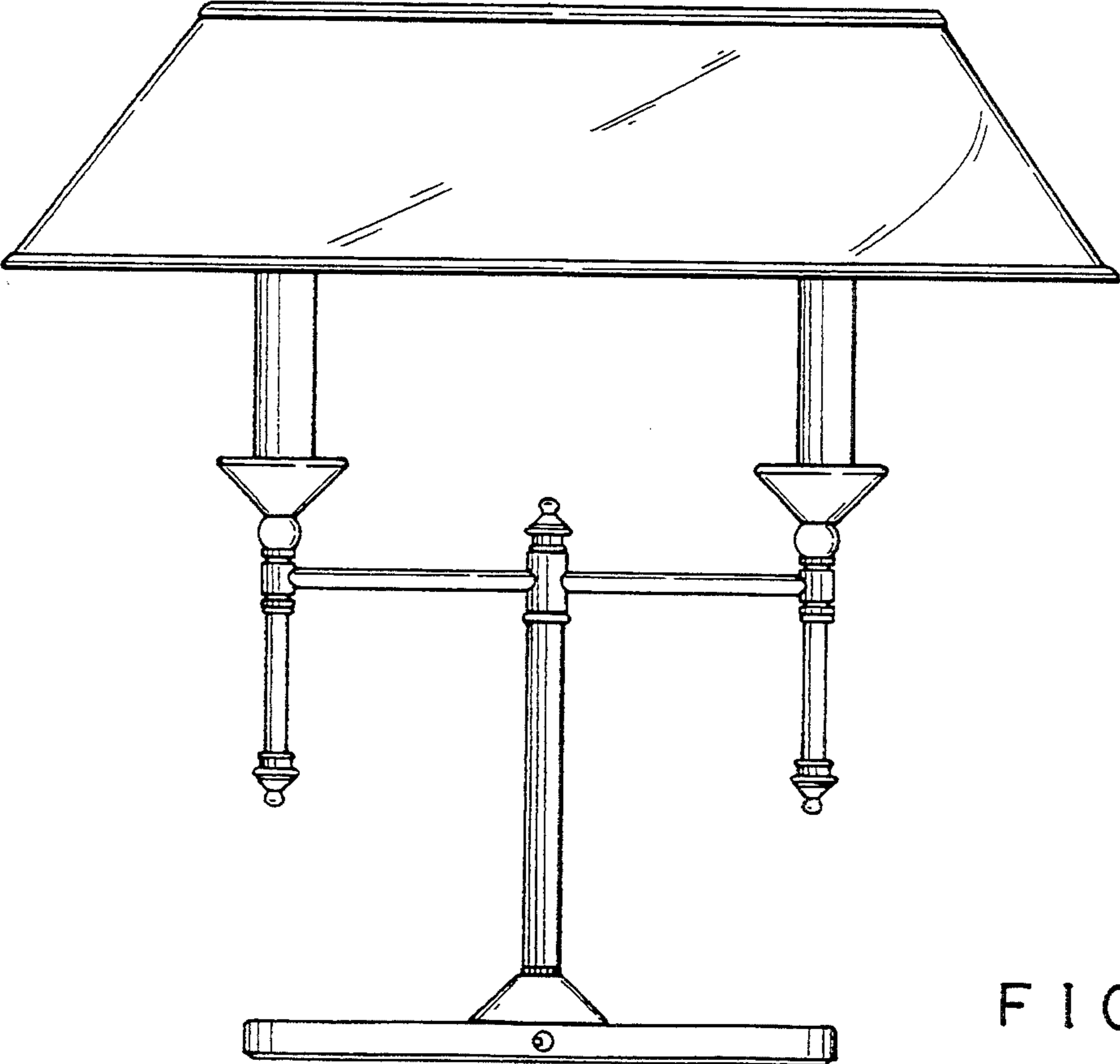


FIG. 2

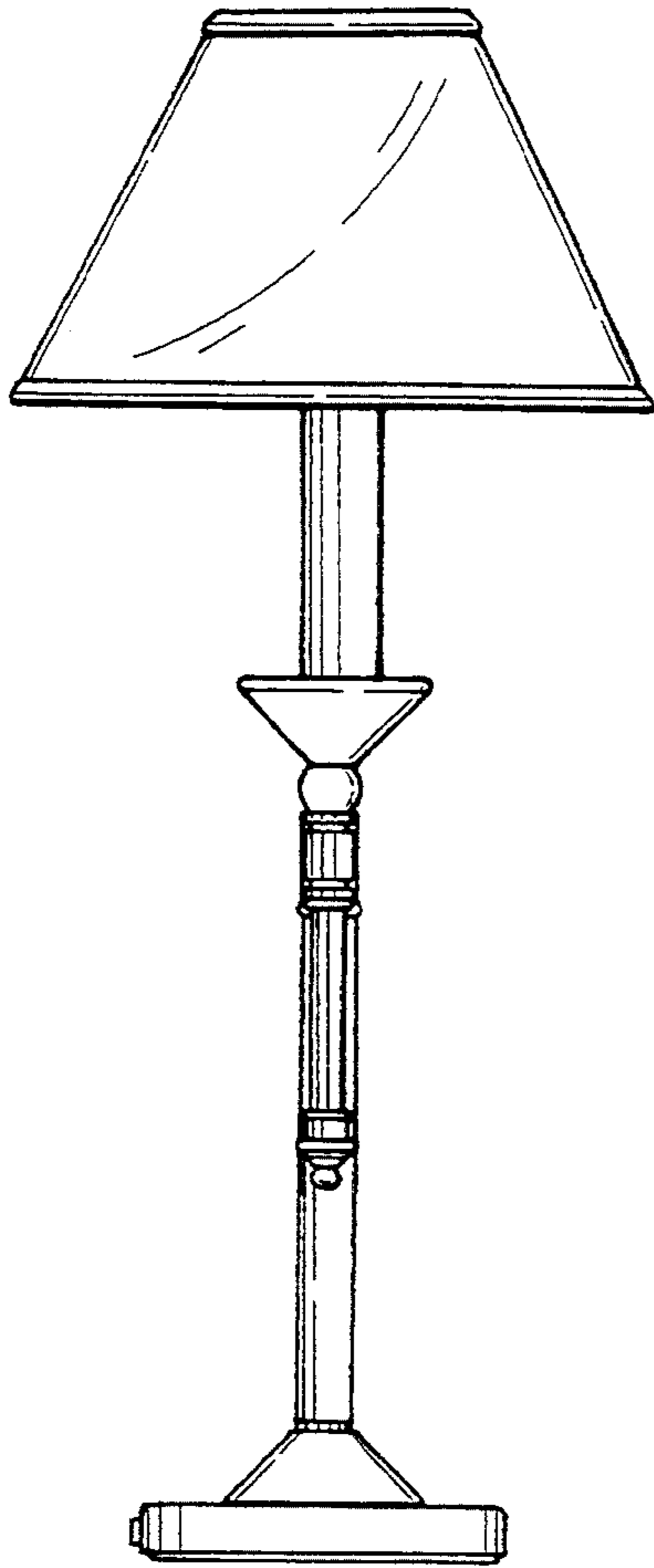


FIG. 3

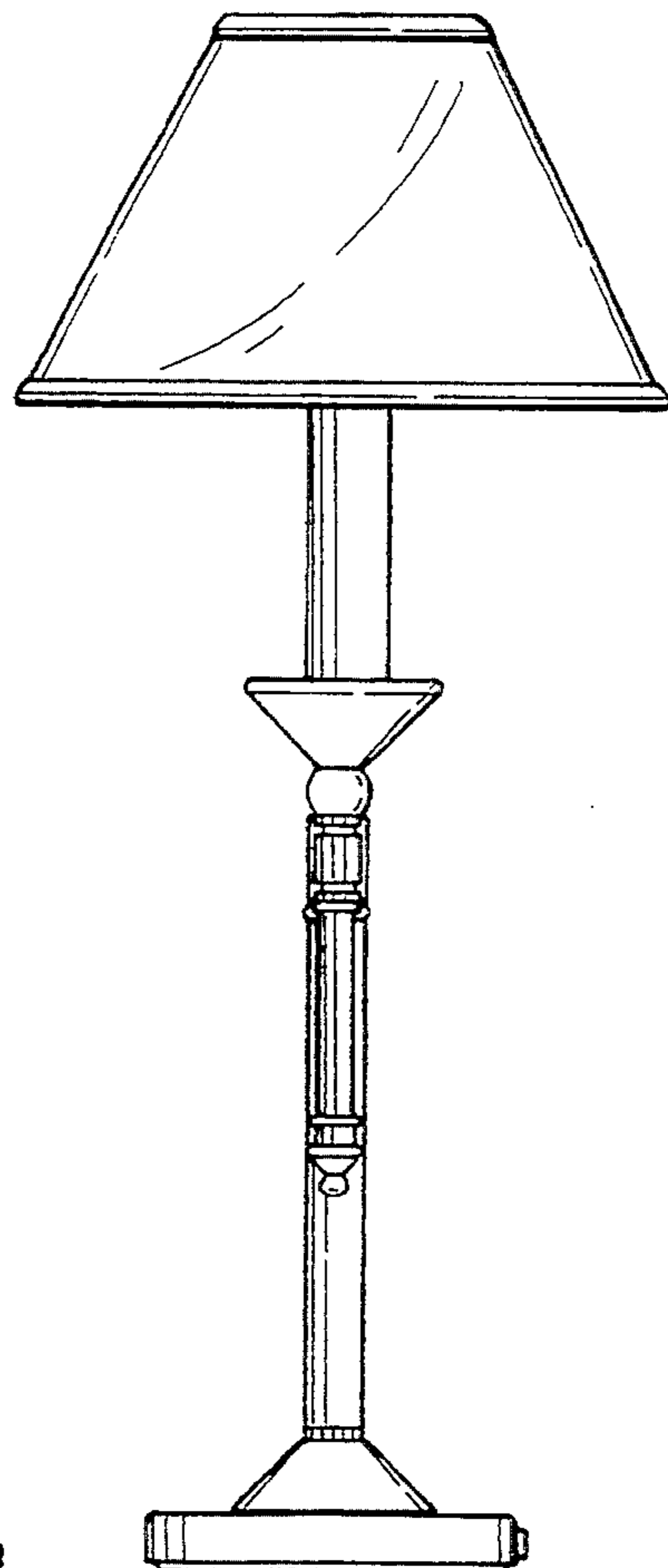


FIG. 4

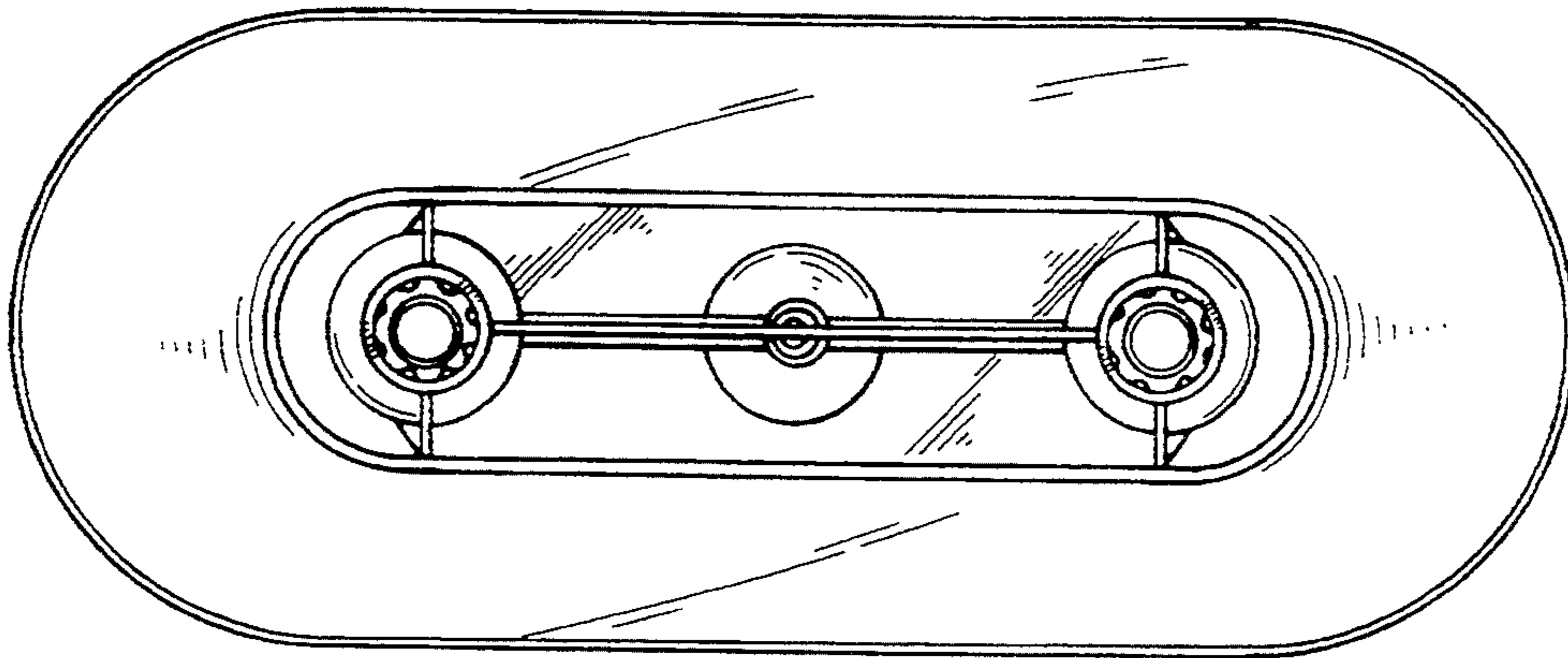


FIG. 5

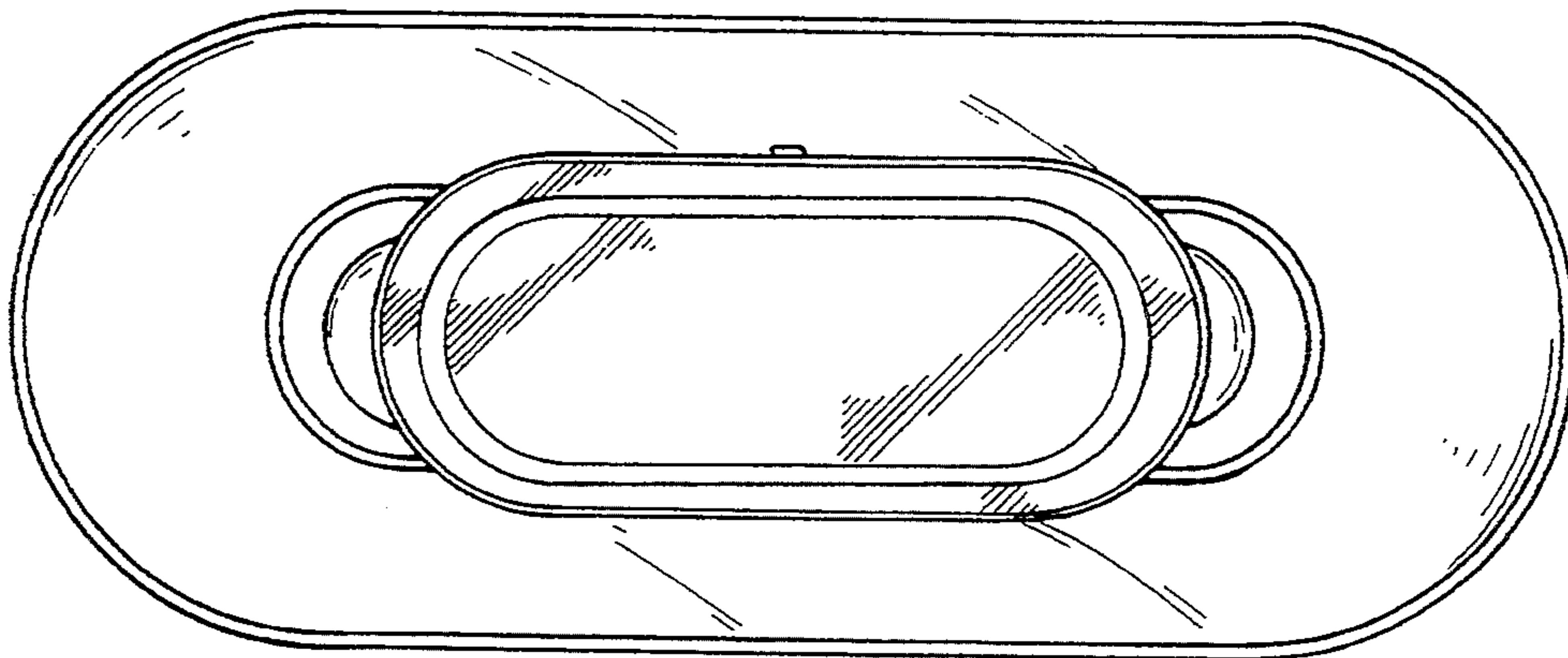


FIG. 6

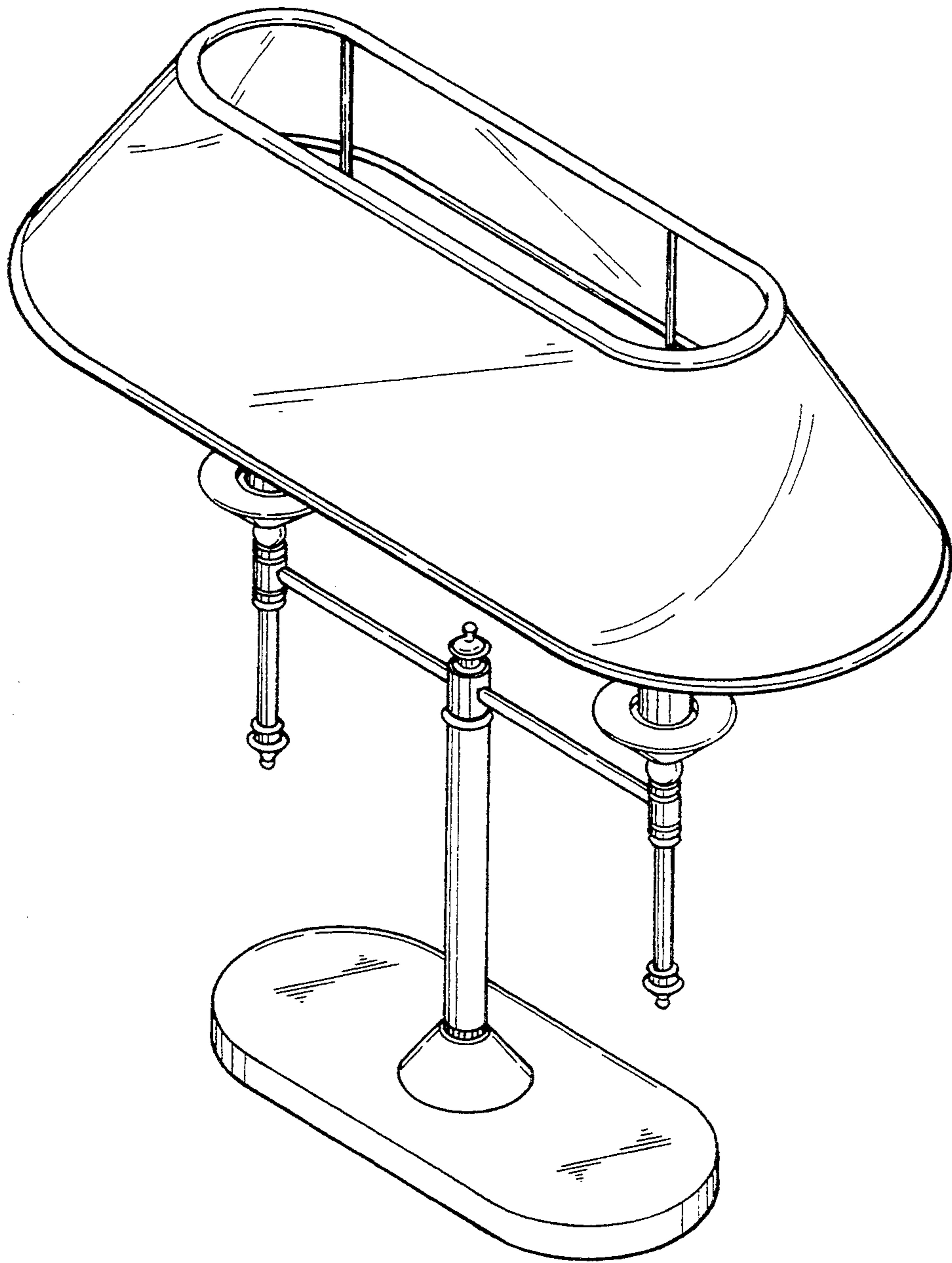


FIG. 7