



US00D360277S

# United States Patent [19]

Roberts, III

[11] Patent Number: **Des. 360,277**

[45] Date of Patent: **\*\* Jul. 11, 1995**

[54] **STANDING LAMP**

[75] Inventor: **Rockwood T. Roberts, III**, Clifton Park, N.Y.

[73] Assignee: **C. N. Burman Co.**, Paterson, N.J.

[\*\*] Term: **14 Years**

[21] Appl. No.: **15,348**

[22] Filed: **Nov. 15, 1993**

[52] U.S. Cl. .... **D26/107; D26/63**

[58] Field of Search ..... **D26/61, 63, 65, 93, D26/106, 107, 108; 362/269, 275, 285, 418, 419, 427, 410, 411, 413, 414**

[56] **References Cited**

**U.S. PATENT DOCUMENTS**

D. 325,997 5/1992 Dieperink et al. .... D26/107  
5,303,136 4/1994 Brown ..... 362/413 X

**OTHER PUBLICATIONS**

B. A. Pargh Co. Catalog, p. 217, Computer Lamp. Domus, Aug. 1985, p. 56, Task Light. Murray Feiss Import Corp. "LiteChips" Catalog, Jan. 1988, p. 7, Fluorescent Desk Lamp DSK105.

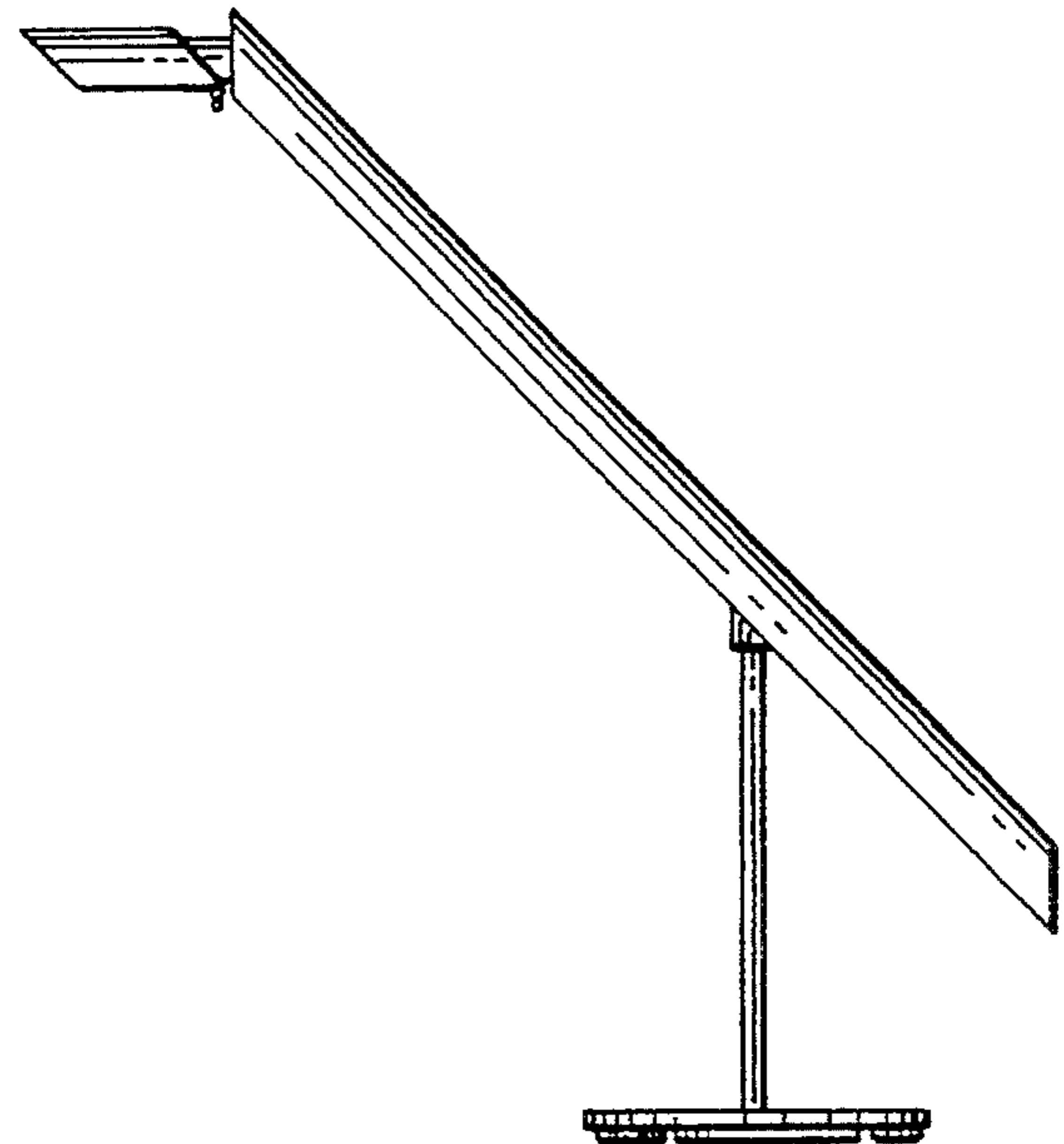
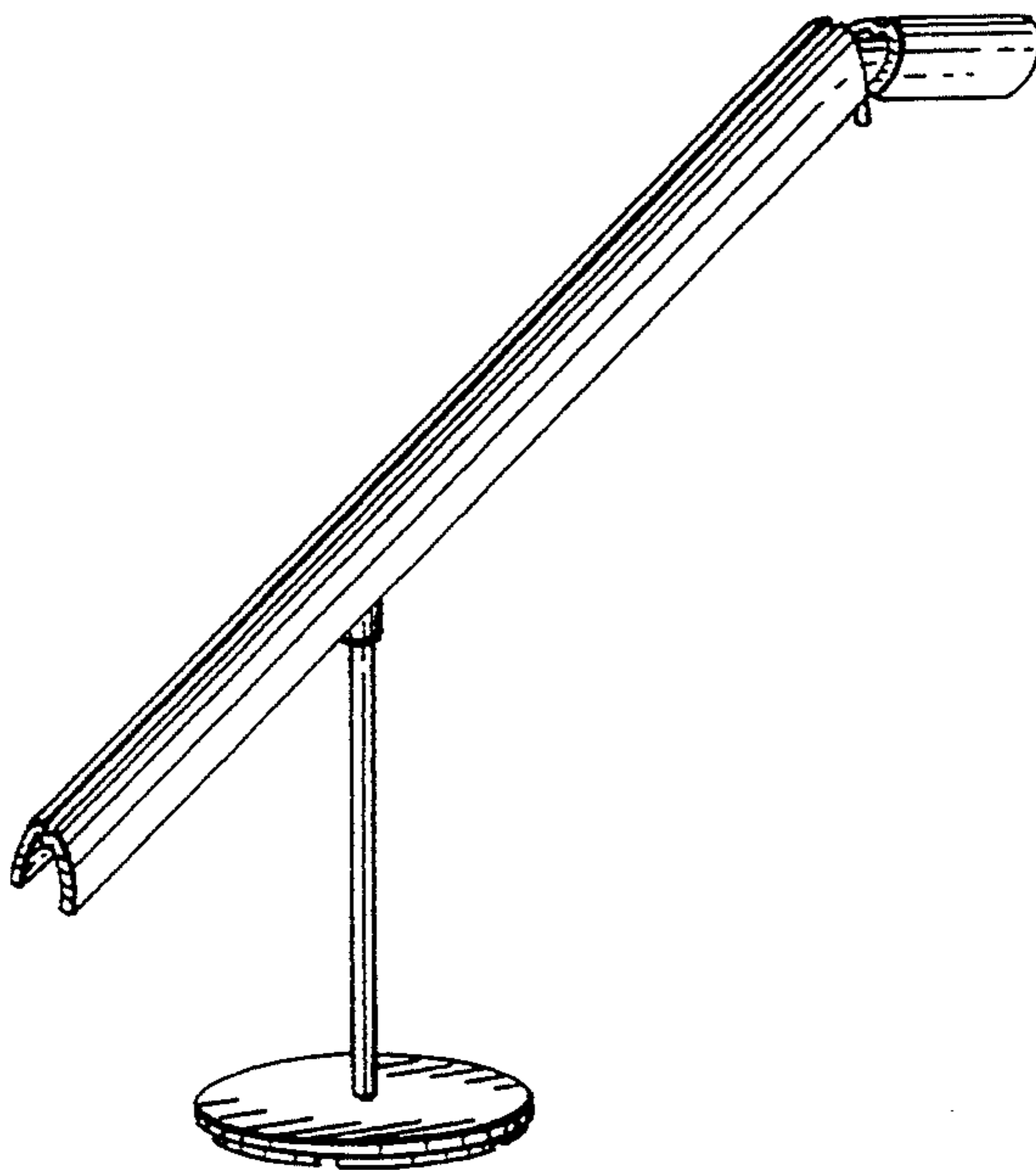
*Primary Examiner*—Susan J. Lucas  
*Attorney, Agent, or Firm*—Kirschstein, Ottinger Israel & Schiffmiller

[57] **CLAIM**

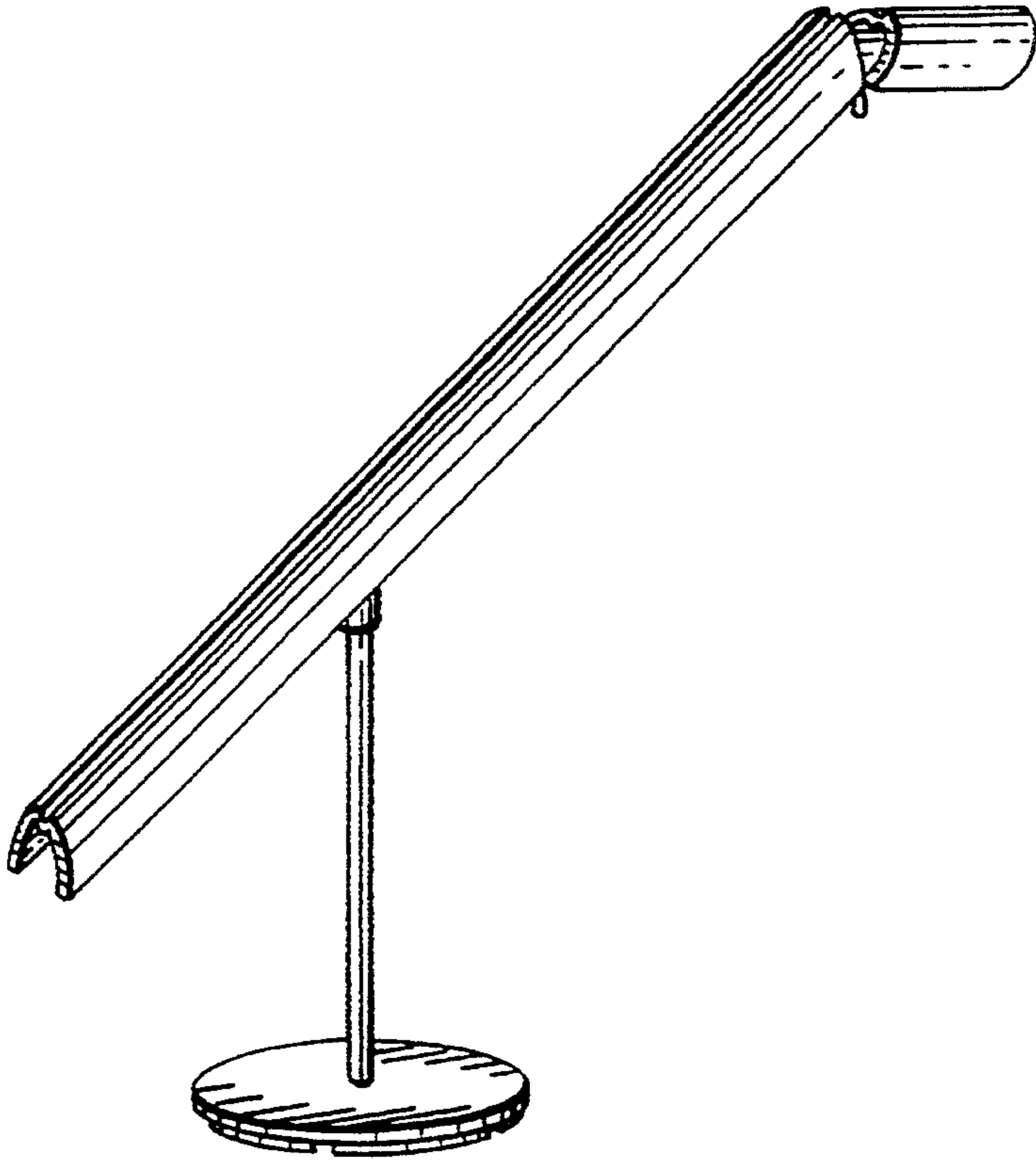
The ornamental design for a standing lamp, as shown and described.

**DESCRIPTION**

FIG. 1 is a perspective view of a standing lamp showing my new design;  
FIG. 2 is a top plan view thereof;  
FIG. 3 is a right side elevational view thereof;  
FIG. 4 is a front elevational thereof, the rear elevational view being a mirror image;  
FIG. 5 is a left side elevational view thereof; and,  
FIG. 6 is a bottom plan view thereof.



*FIG. 1*



*FIG. 2*

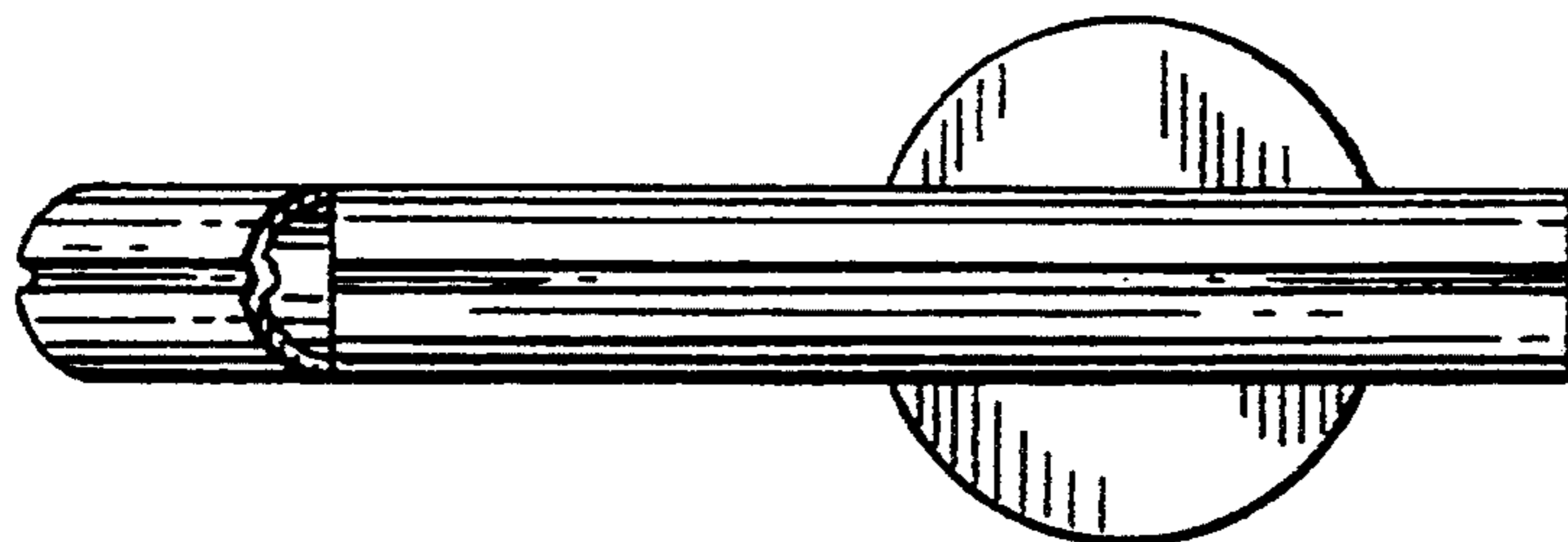


FIG. 3

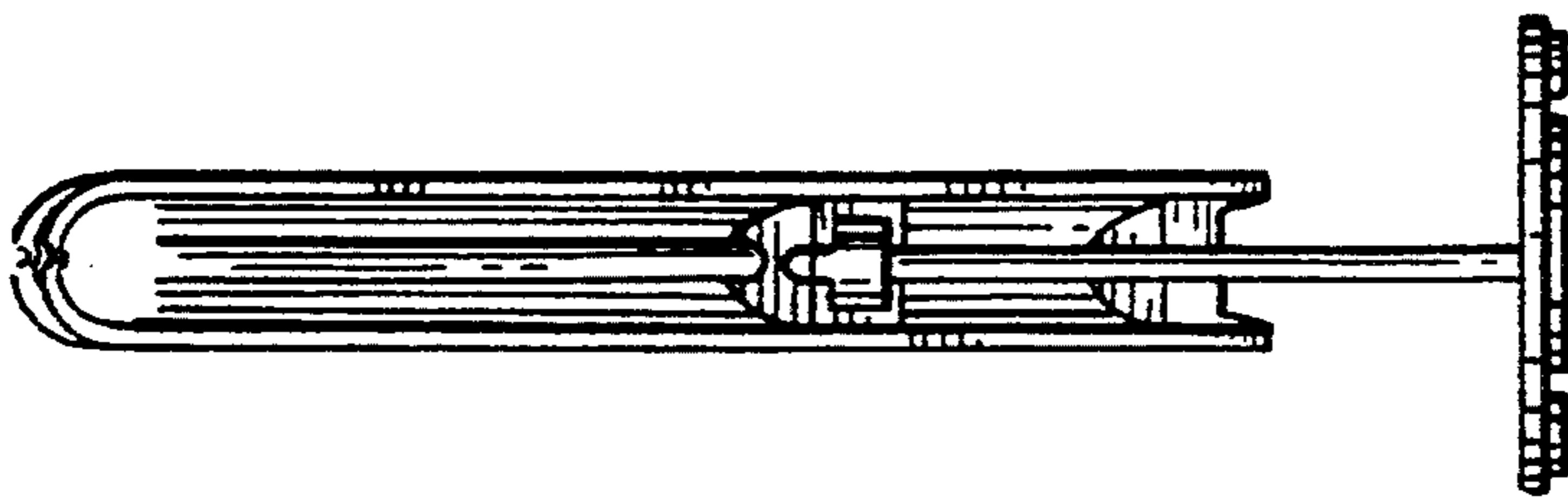


FIG. 4

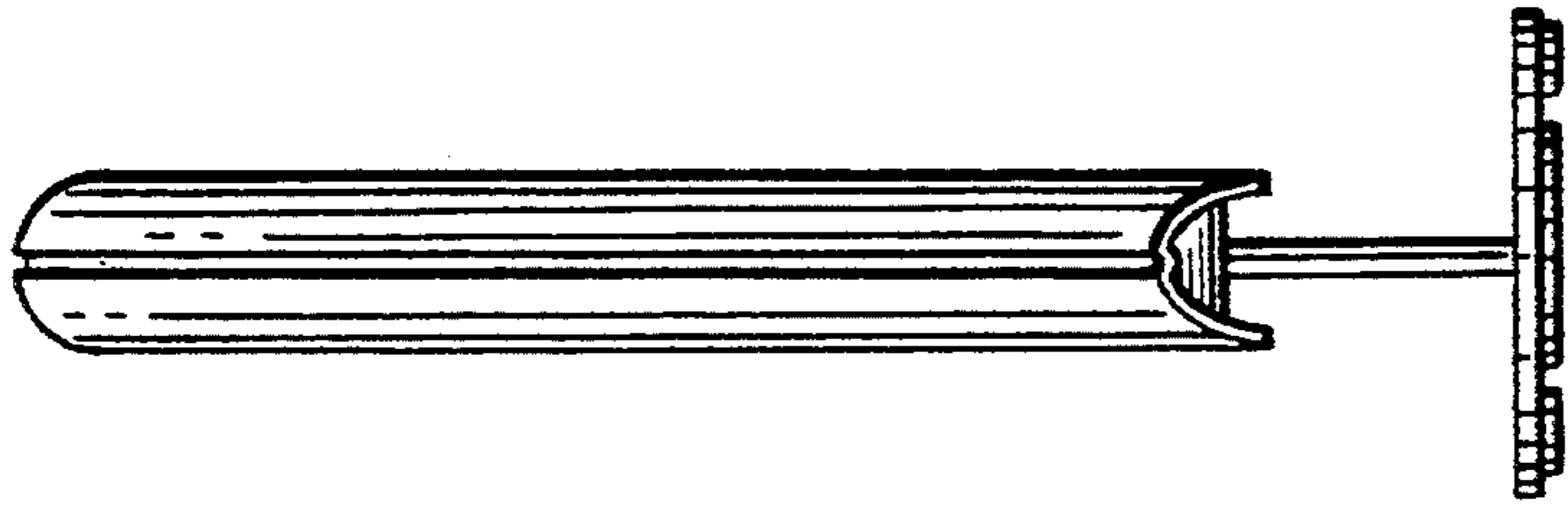
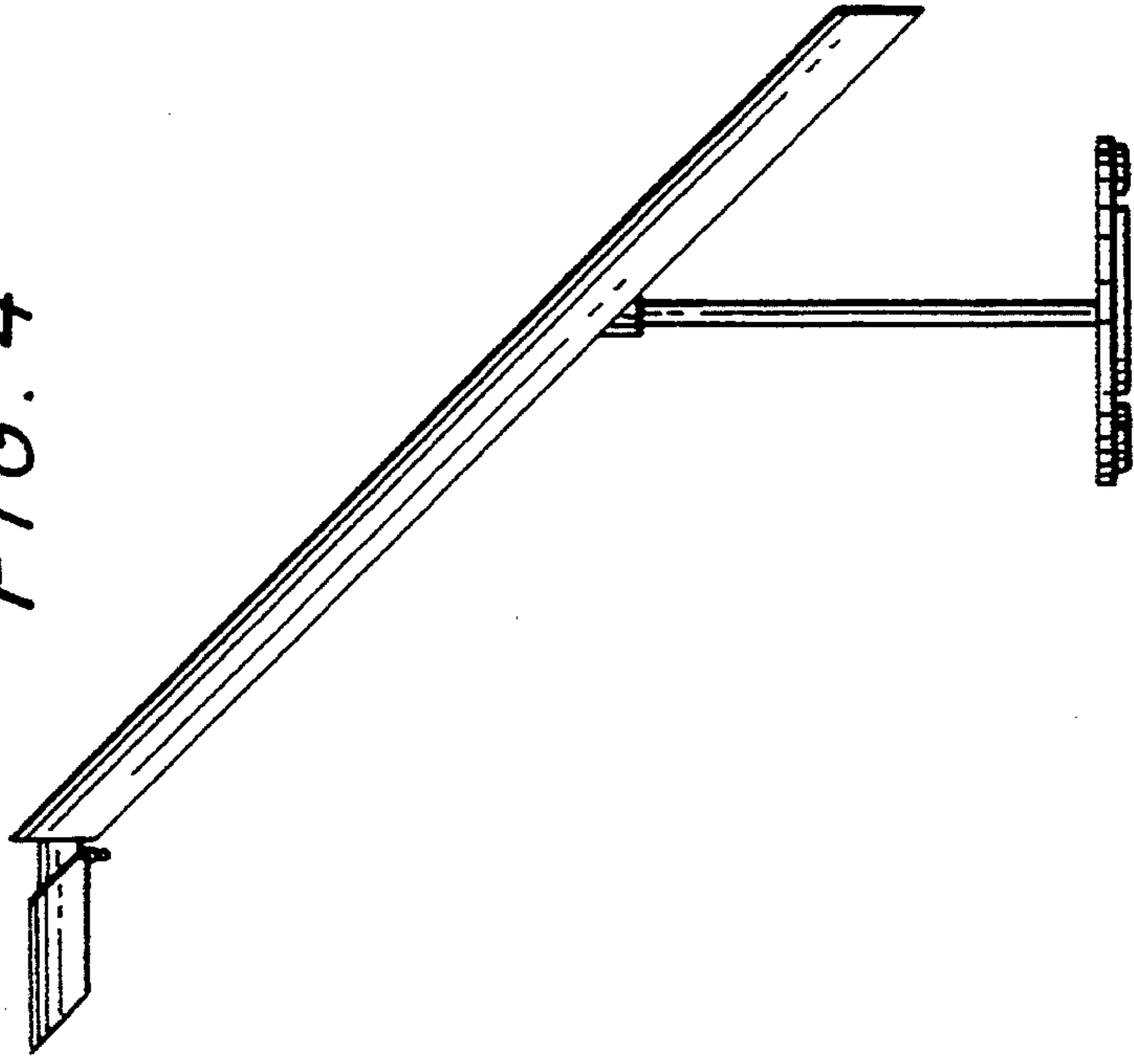


FIG. 5

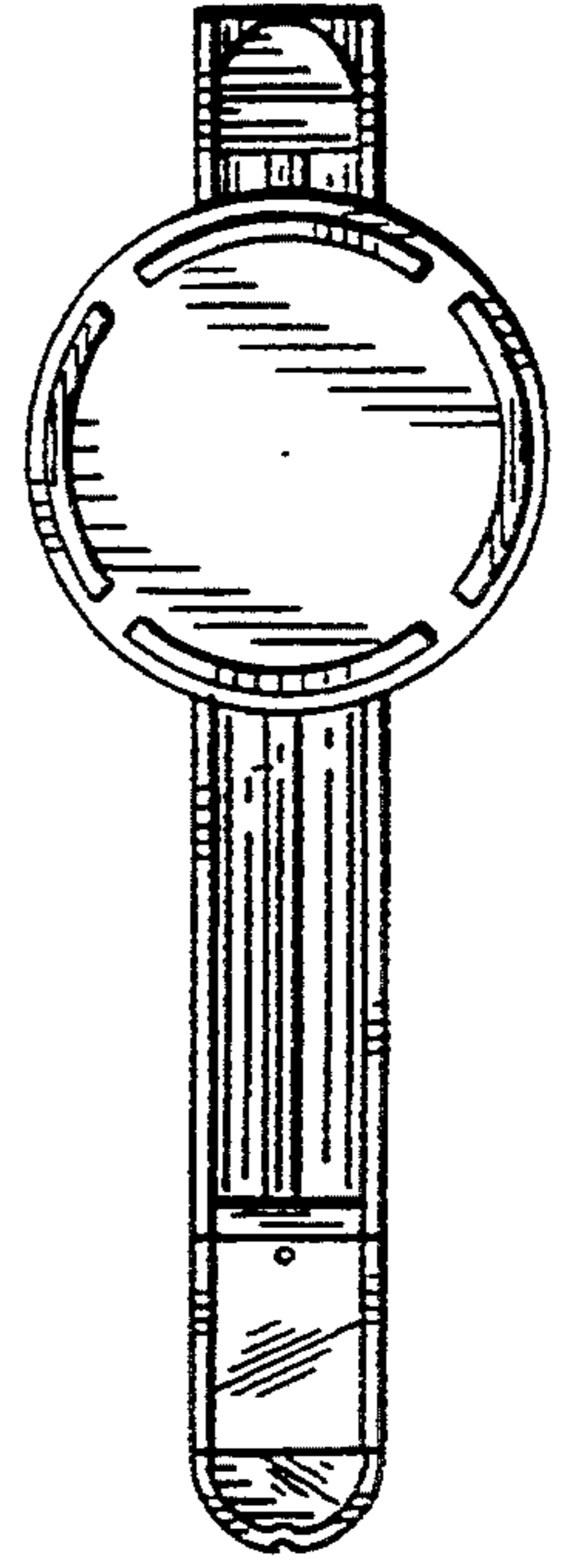


FIG. 6