



US00D360271S

United States Patent [19]

[11] Patent Number: **Des. 360,271**

Butler

[45] Date of Patent: **** Jul. 11, 1995**

[54] FLORESCENT LIGHTING FIXTURE

[75] Inventor: **Doyle S. Butler**, Americus, Ga.

[73] Assignee: **Cooper Industries, Inc.**, Houston, Tex.

[**] Term: **14 Years**

[21] Appl. No.: **20,265**

[22] Filed: **Mar. 23, 1994**

[52] U.S. Cl. **D26/76**

[58] Field of Search **D26/72, 75-92; 362/147, 404, 220-225**

[56] References Cited

U.S. PATENT DOCUMENTS

2,963,251	12/1960	Fuss	362/404 X
3,760,178	9/1973	Miller	362/223

OTHER PUBLICATIONS

All-Bright Luminaires Catalog, ©1950, p. 1, Schoolite Unit, Series 46 Fluorescent Lighting Fixture.

All-Bright Luminaires Catalog, ©1950, p. 20, Slimline Louvered Fluorescent Lighting Fixture.

Daybrite Lighting Catalog #112, ©1941, p. 24, Recessed Fluorescent Lighting Fixture Louvers.

Primary Examiner—Susan J. Lucas

Attorney, Agent, or Firm—William B. Patterson; Eddie E. Scott

[57] CLAIM

The ornamental design for a florescent lighting fixture, as shown and described.

DESCRIPTION

FIG. 1 is a bottom, front perspective view of a fluorescent lighting fixture showing my new design;

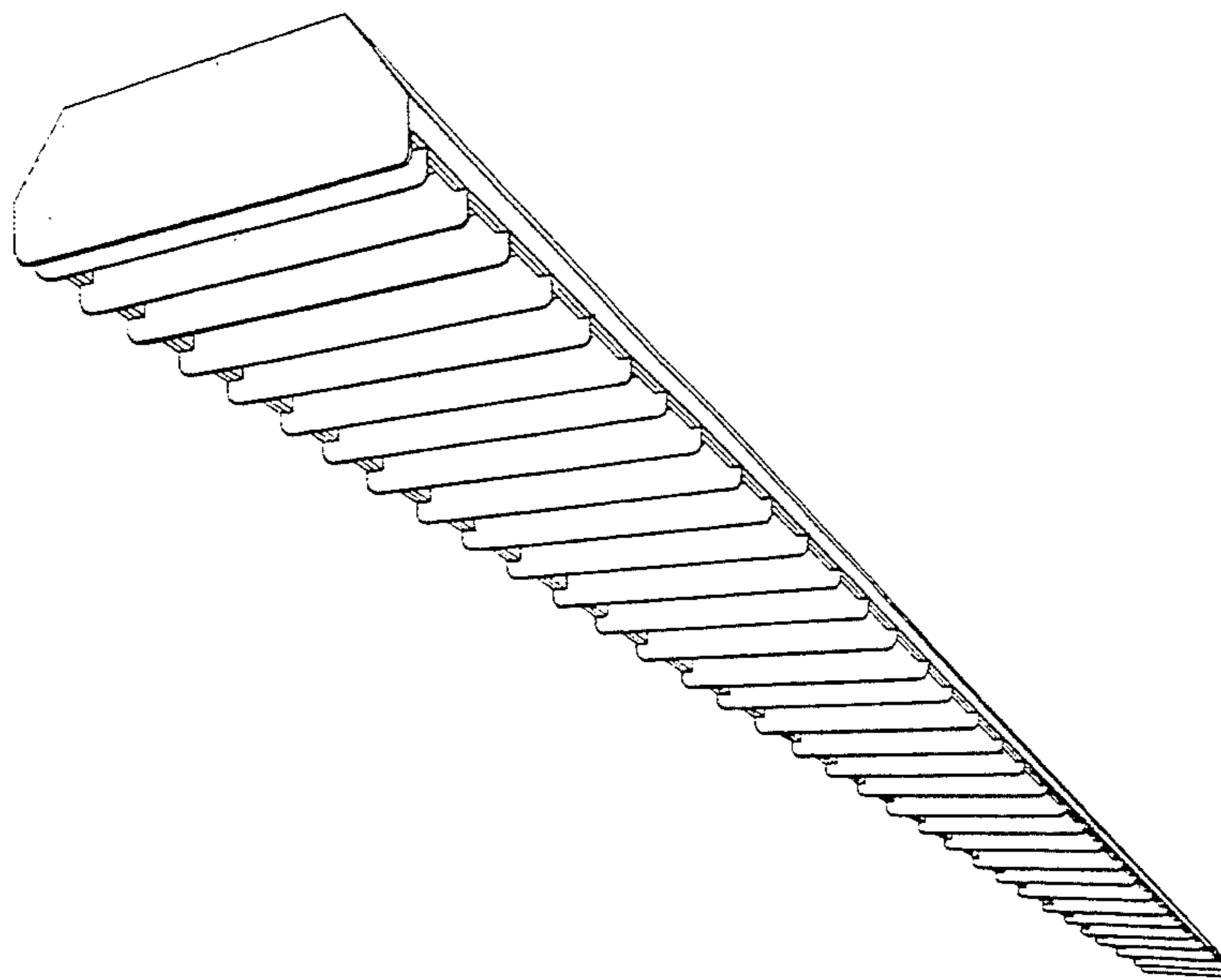
FIG. 2 is a front elevational view;

FIG. 3 is a top plan view;

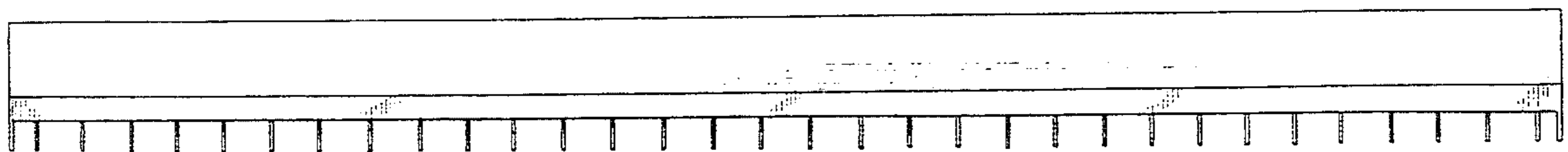
FIG. 4 is a bottom view;

FIG. 5 is a left end view, the right end being identical; and,

FIG. 6 is a cross-sectional view thereof.



6



6

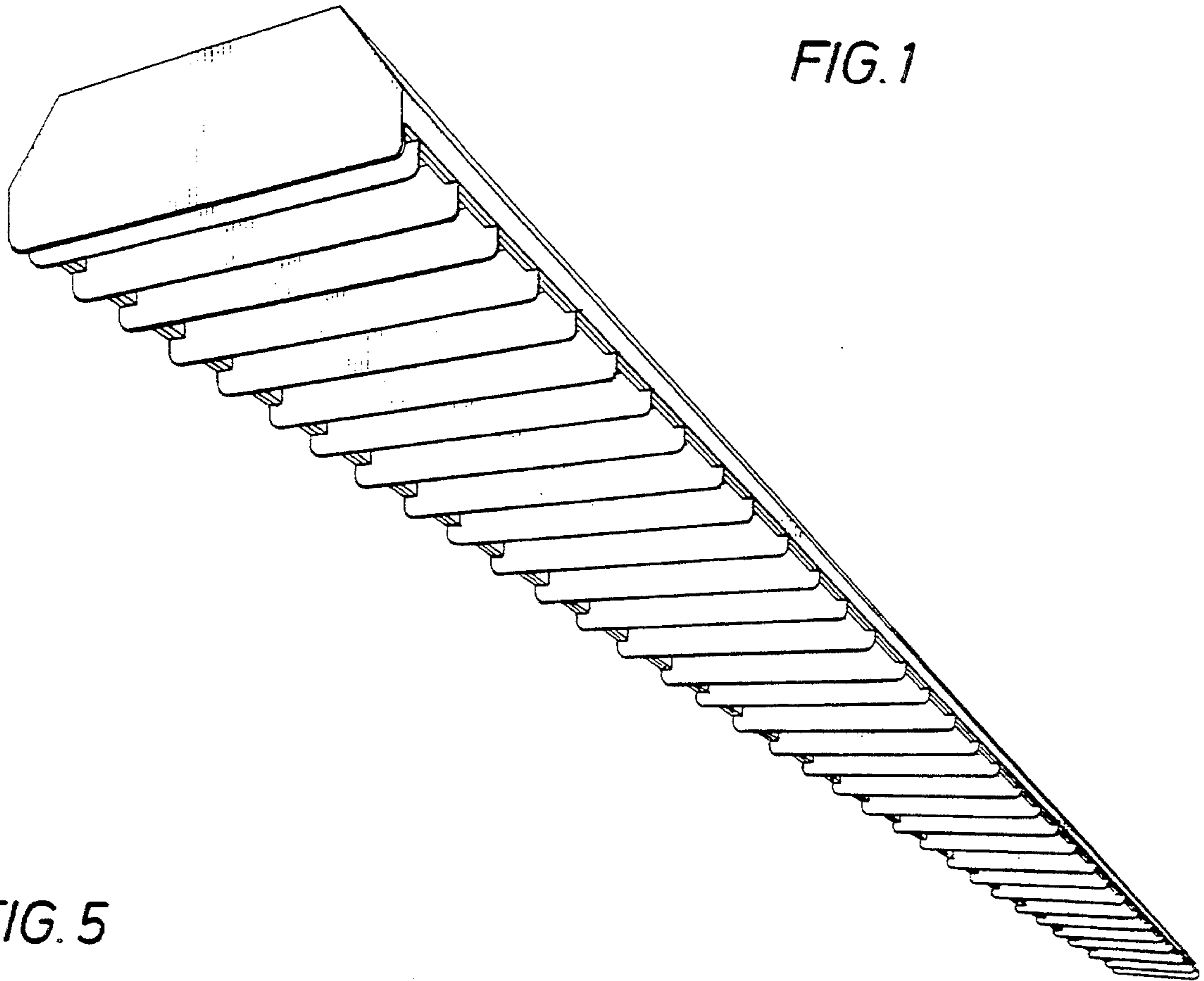


FIG. 5

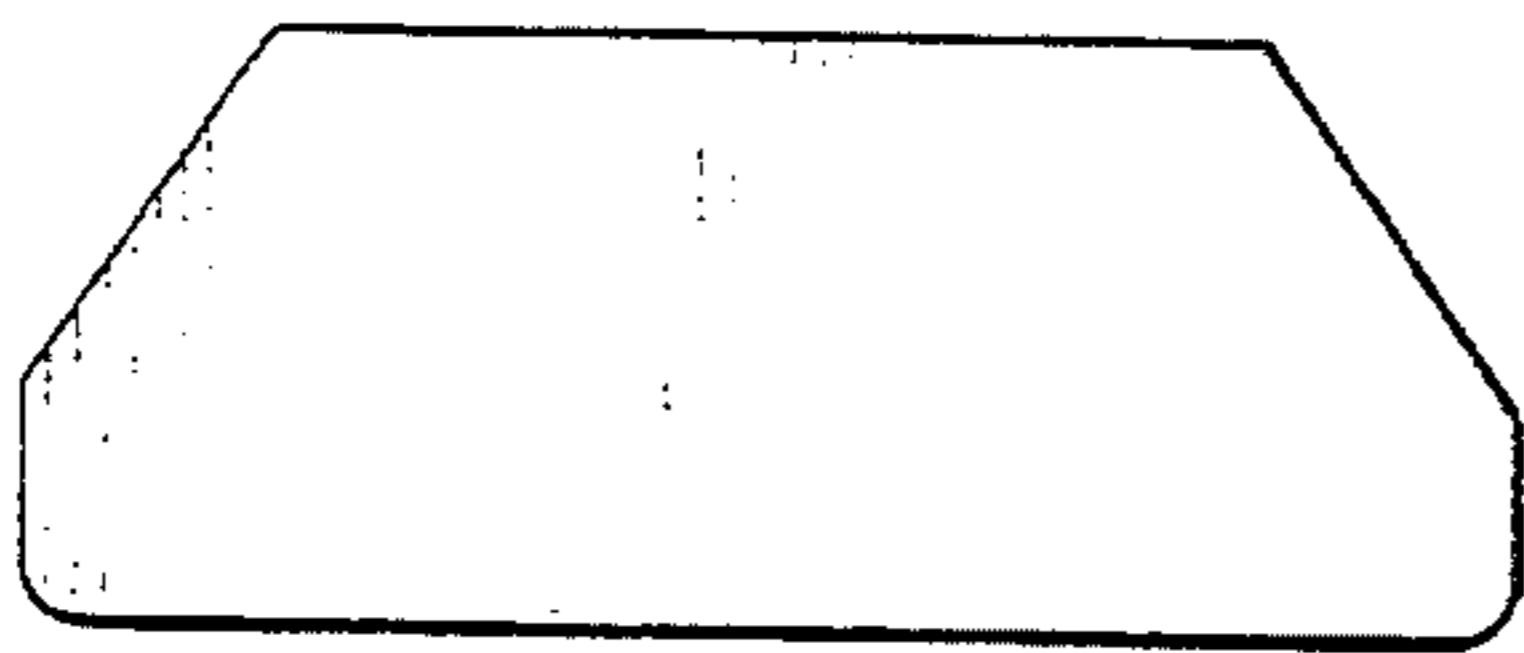


FIG. 6

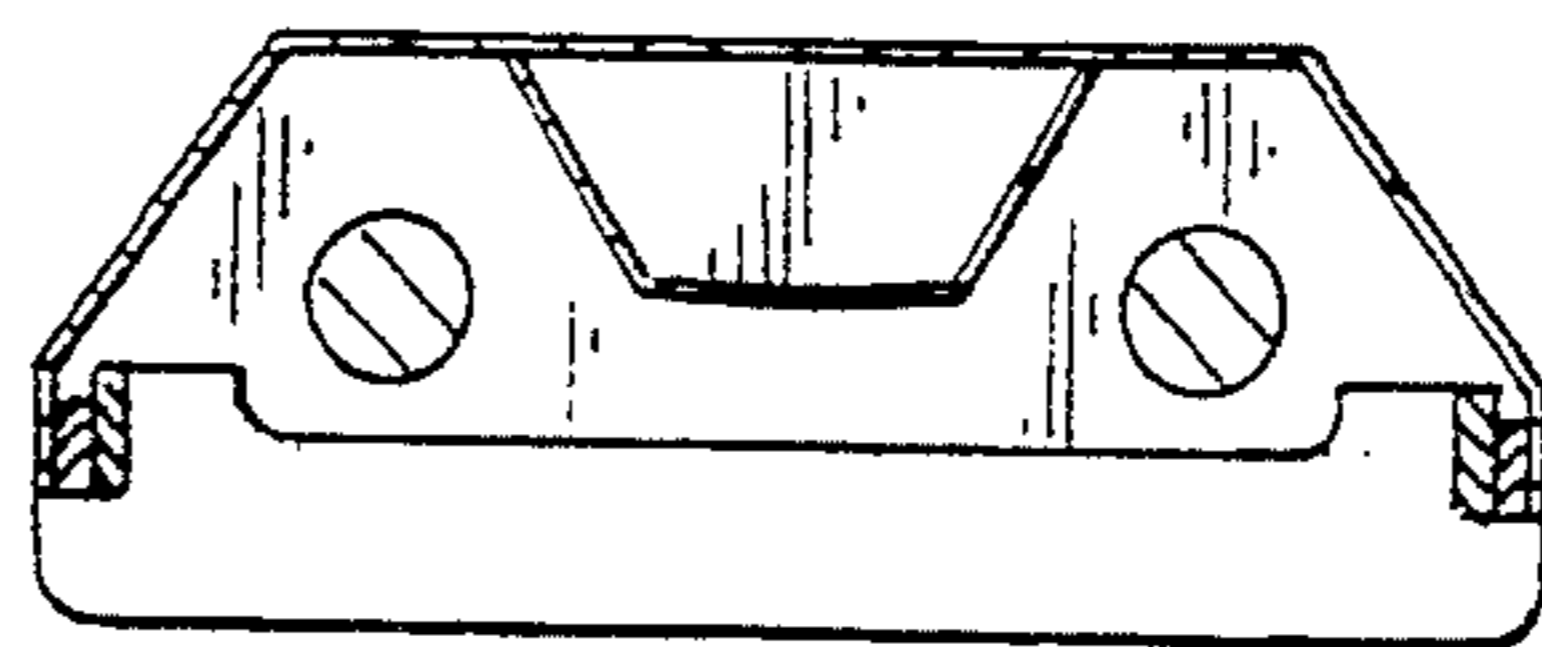


FIG. 3

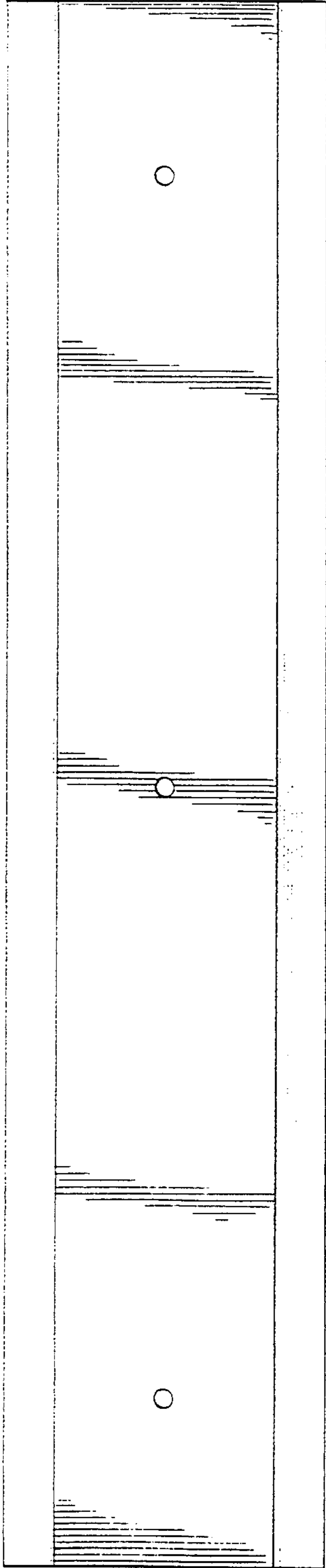


FIG. 2

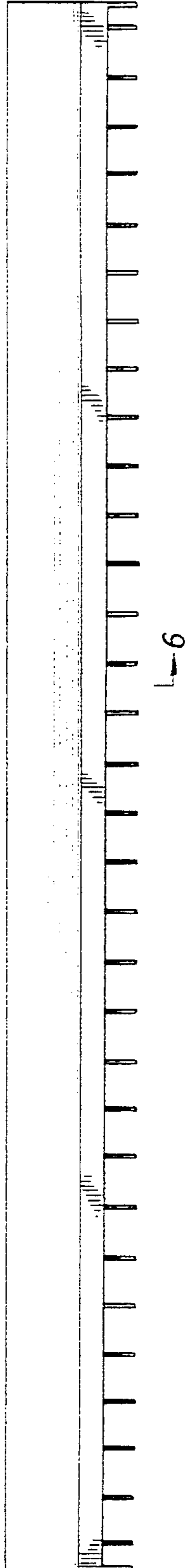


FIG. 4

