



US00D360270S

United States Patent [19]

[11] Patent Number: **Des. 360,270**

Shemitz

[45] Date of Patent: **** Jul. 11, 1995**

[54] SEMI-RECESSED LUMINAIRE

[56] References Cited

[75] Inventor: **Sylvan R. Shemitz**, Woodbridge, Conn.

U.S. PATENT DOCUMENTS

D. 308,114	5/1990	Shemitz	D26/63
D. 312,886	12/1990	Brown	D26/63
4,796,169	1/1989	Shemitz	362/432

[73] Assignee: **Sylvan R. Shemitz Associates, Inc.**, West Haven, Conn.

Primary Examiner—Susan J. Lucas
Attorney, Agent, or Firm—Fish & Neave; Jeffrey H. Ingerman

[**] Term: **14 Years**

[57] CLAIM

The ornamental design for a semi-recessed luminaire, as shown and described.

[21] Appl. No.: **21,918**

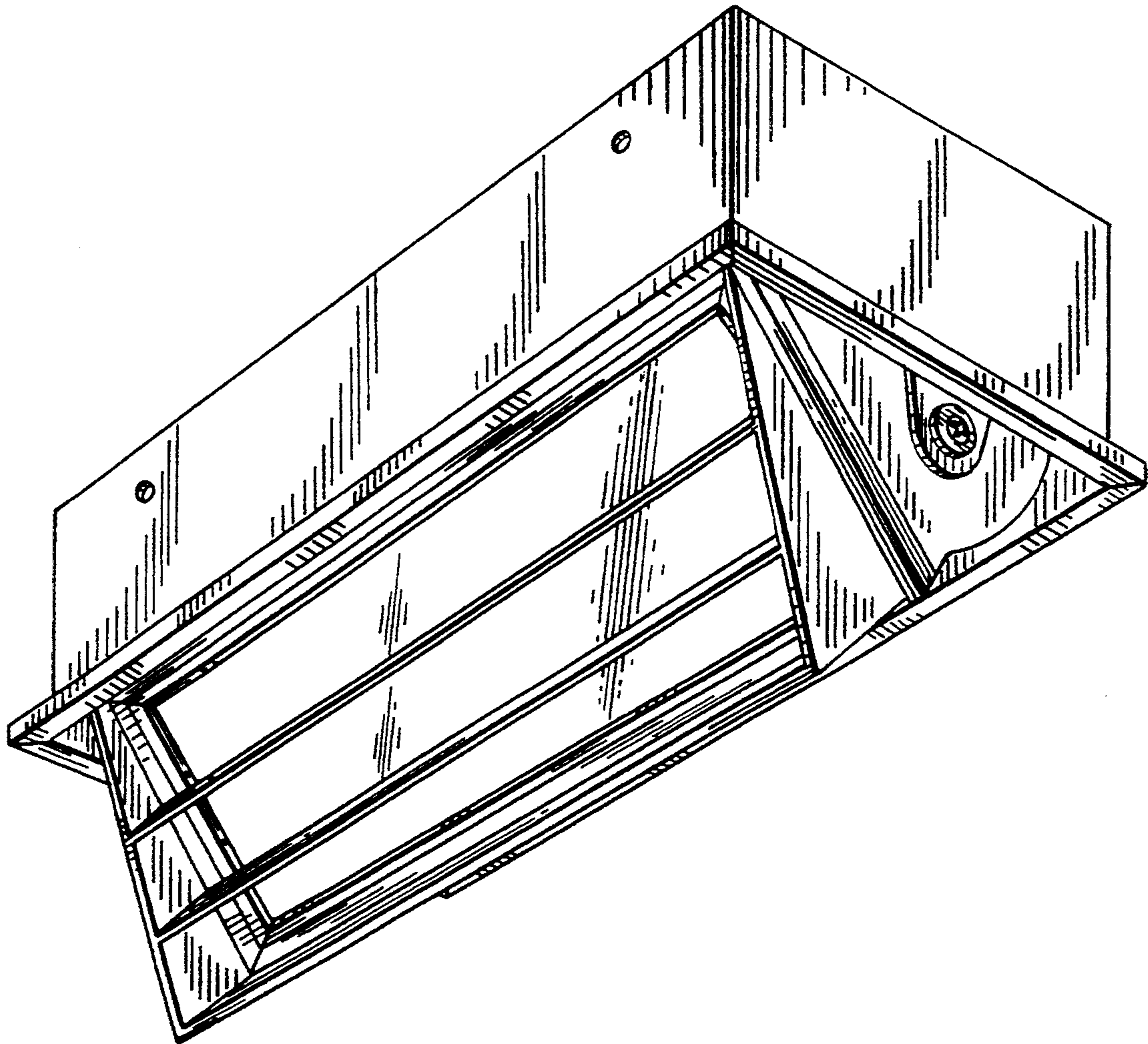
DESCRIPTION

[22] Filed: **Apr. 26, 1994**

FIG. 1 is a front, right, bottom perspective view of a semi-recessed luminaire, showing my new design; FIG. 2 is a left side elevational view thereof, the right side elevational view being a mirror image; FIG. 3 is a top plan view thereof; FIG. 4 is a front elevational view thereof; FIG. 5 is a rear elevational view thereof; and, FIG. 6 is a bottom plan view thereof.

[52] U.S. Cl. **D26/74; D26/63; D26/88**

[58] Field of Search **D26/74, 72, 80-92, D26/61, 63, 65; 362/147, 432, 404-408, 269, 275, 285, 418, 419, 427**



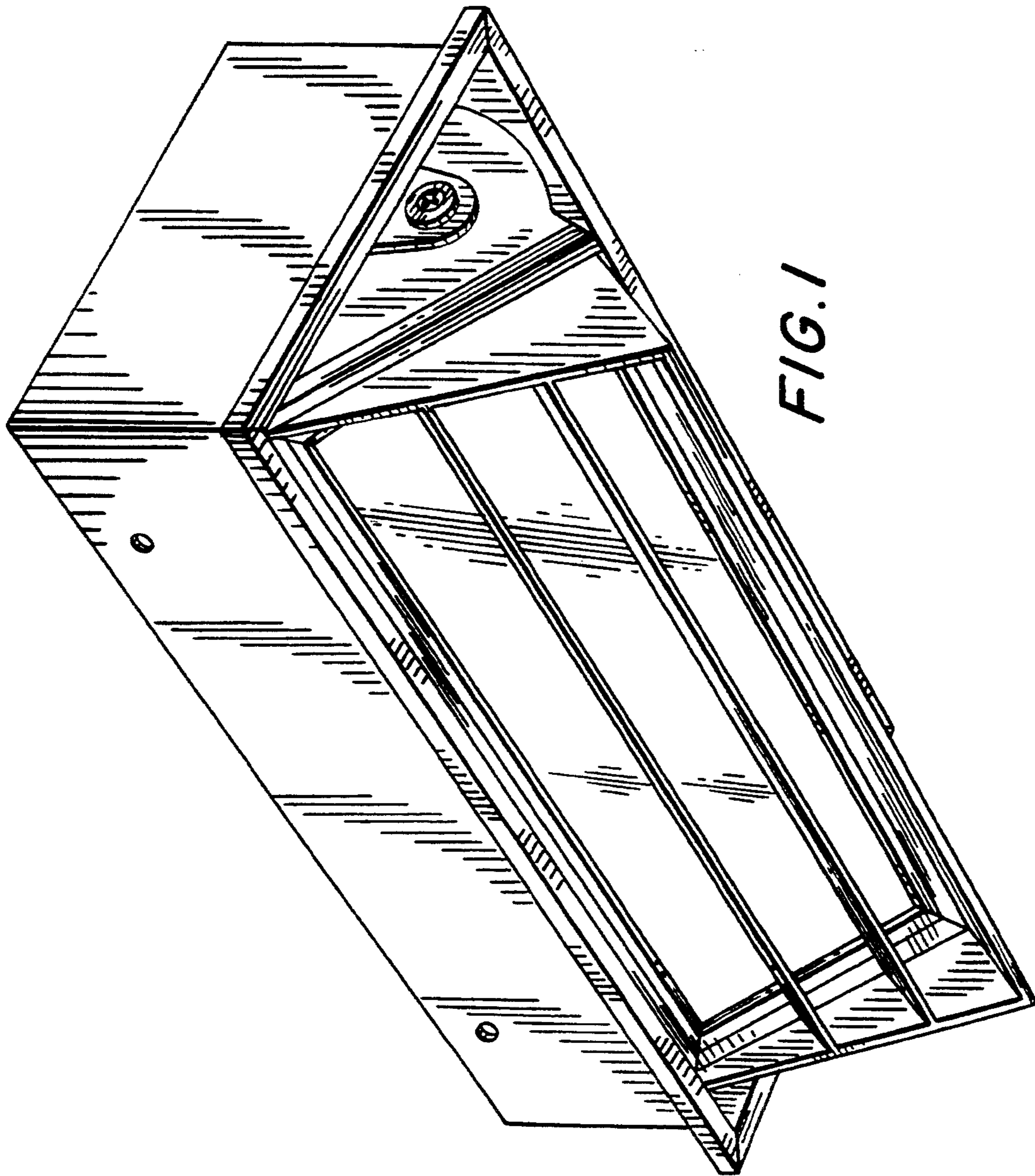


FIG. 1

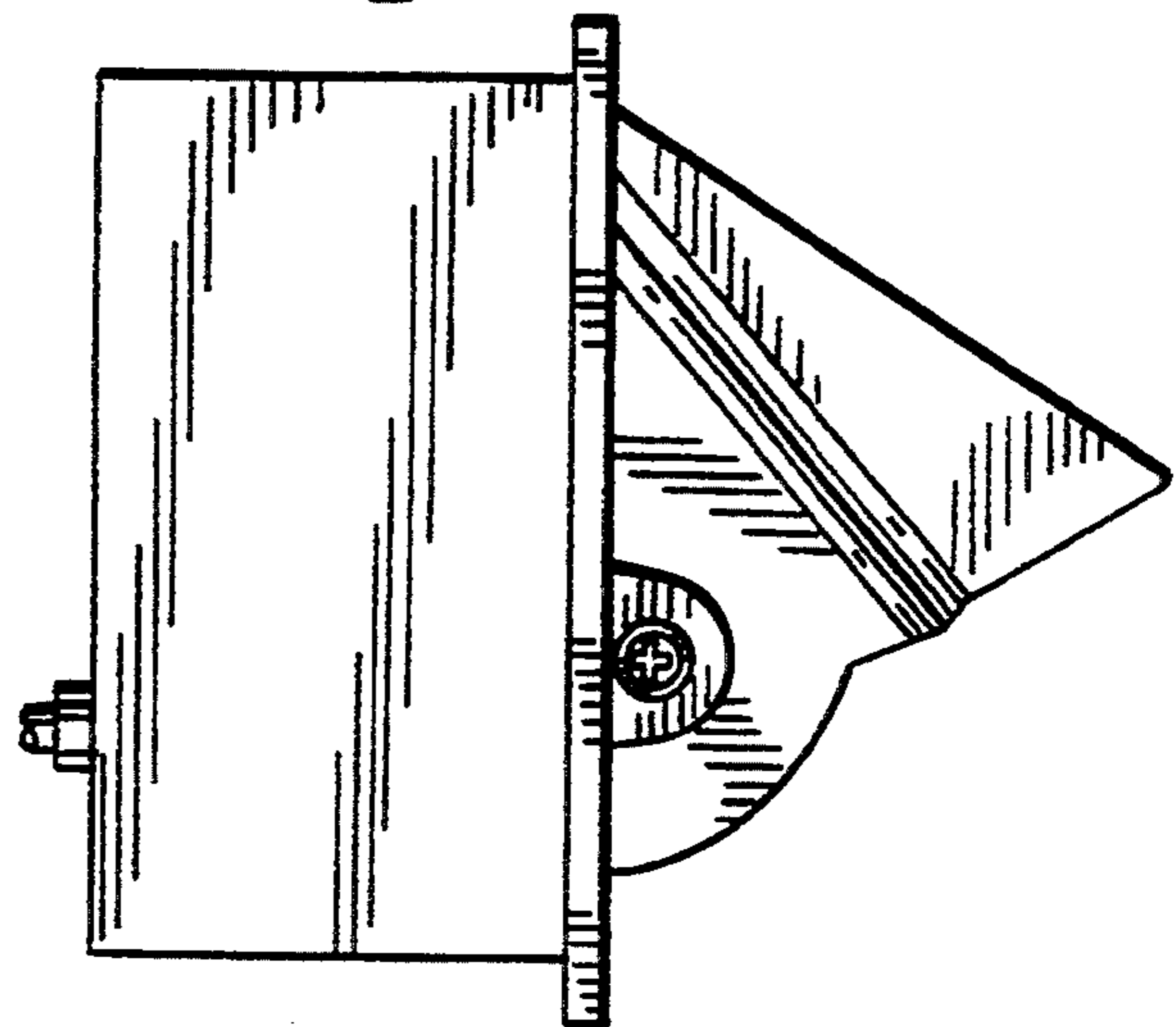


FIG. 2

FIG. 3

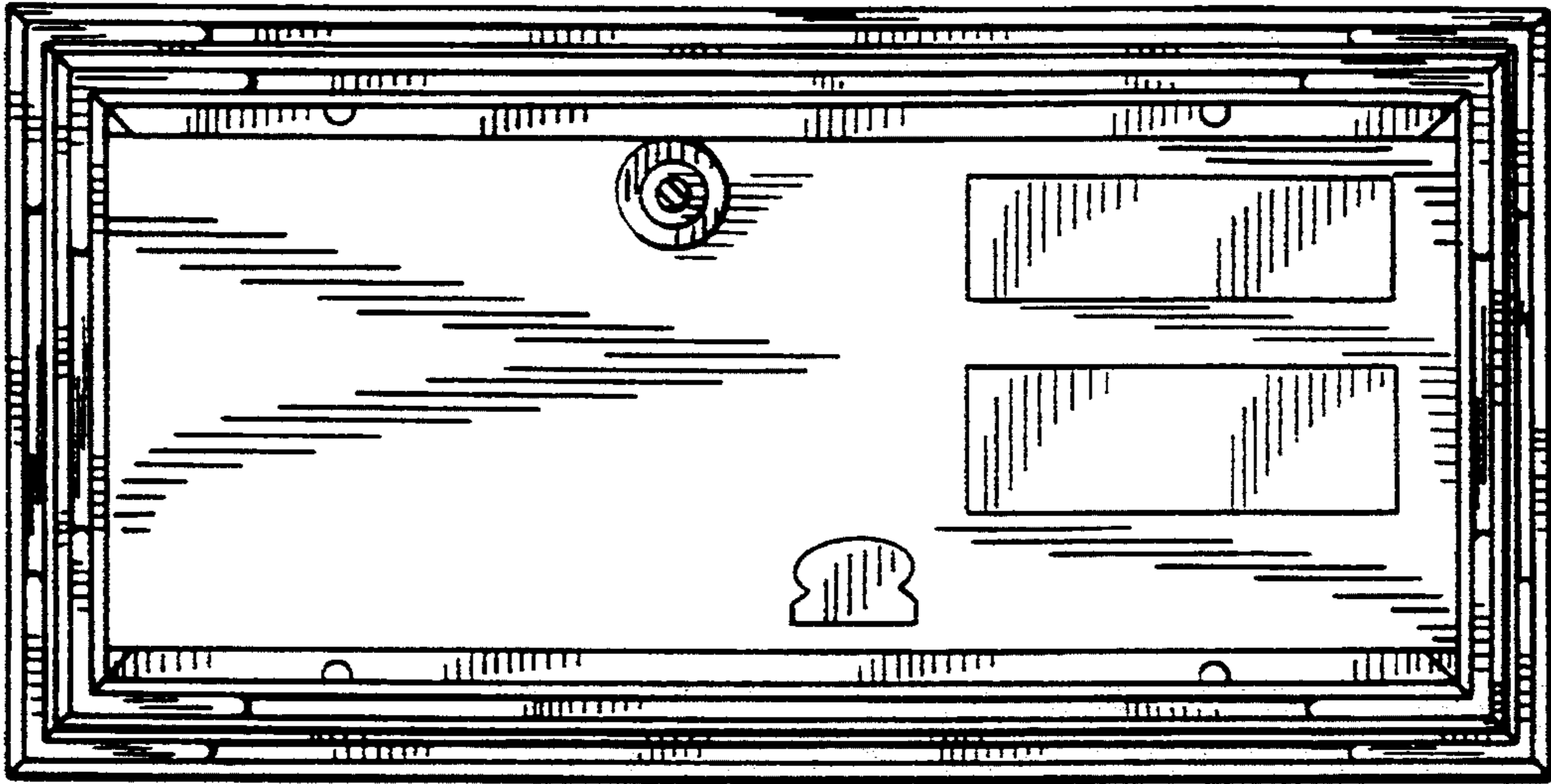


FIG. 4

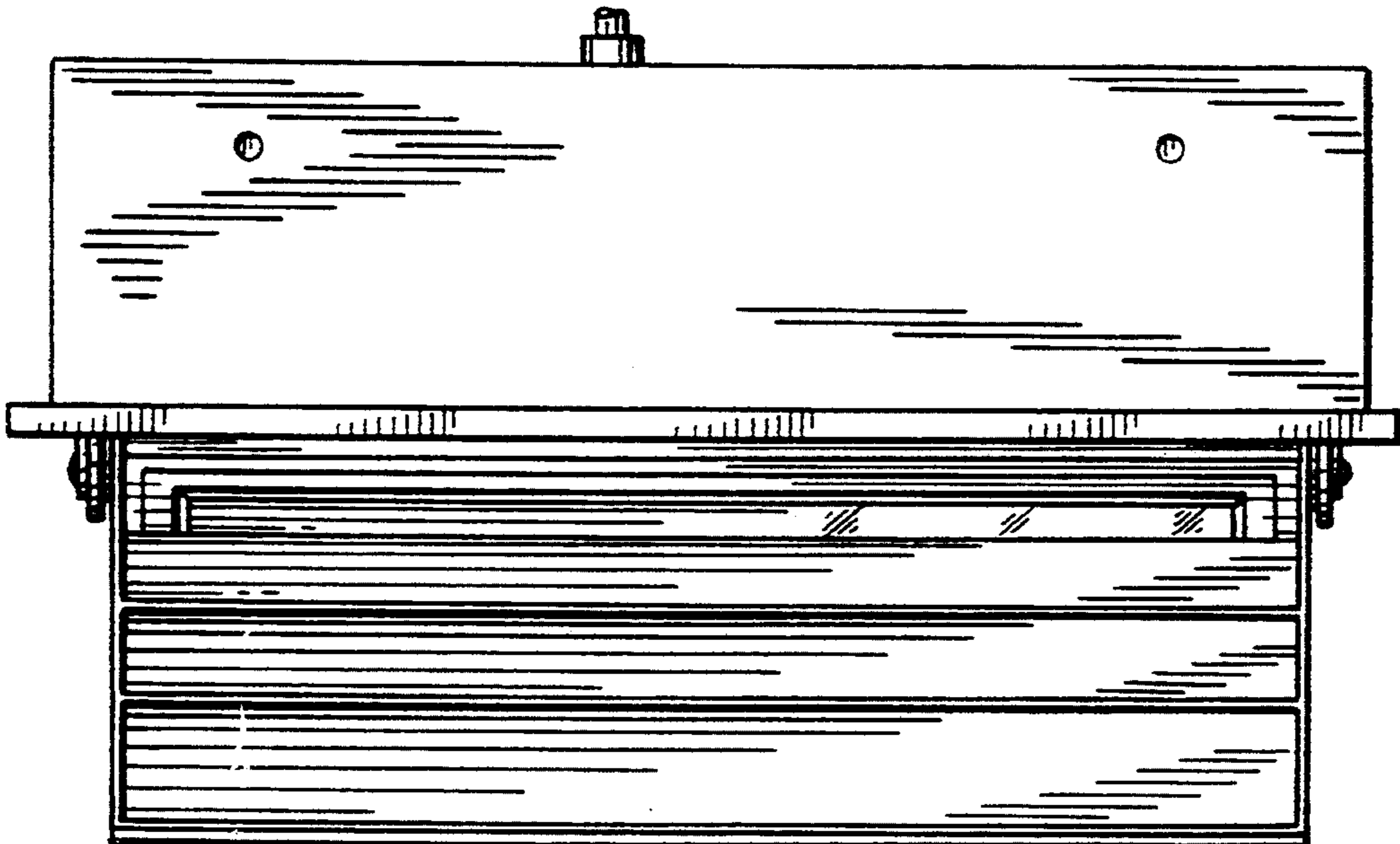


FIG. 5

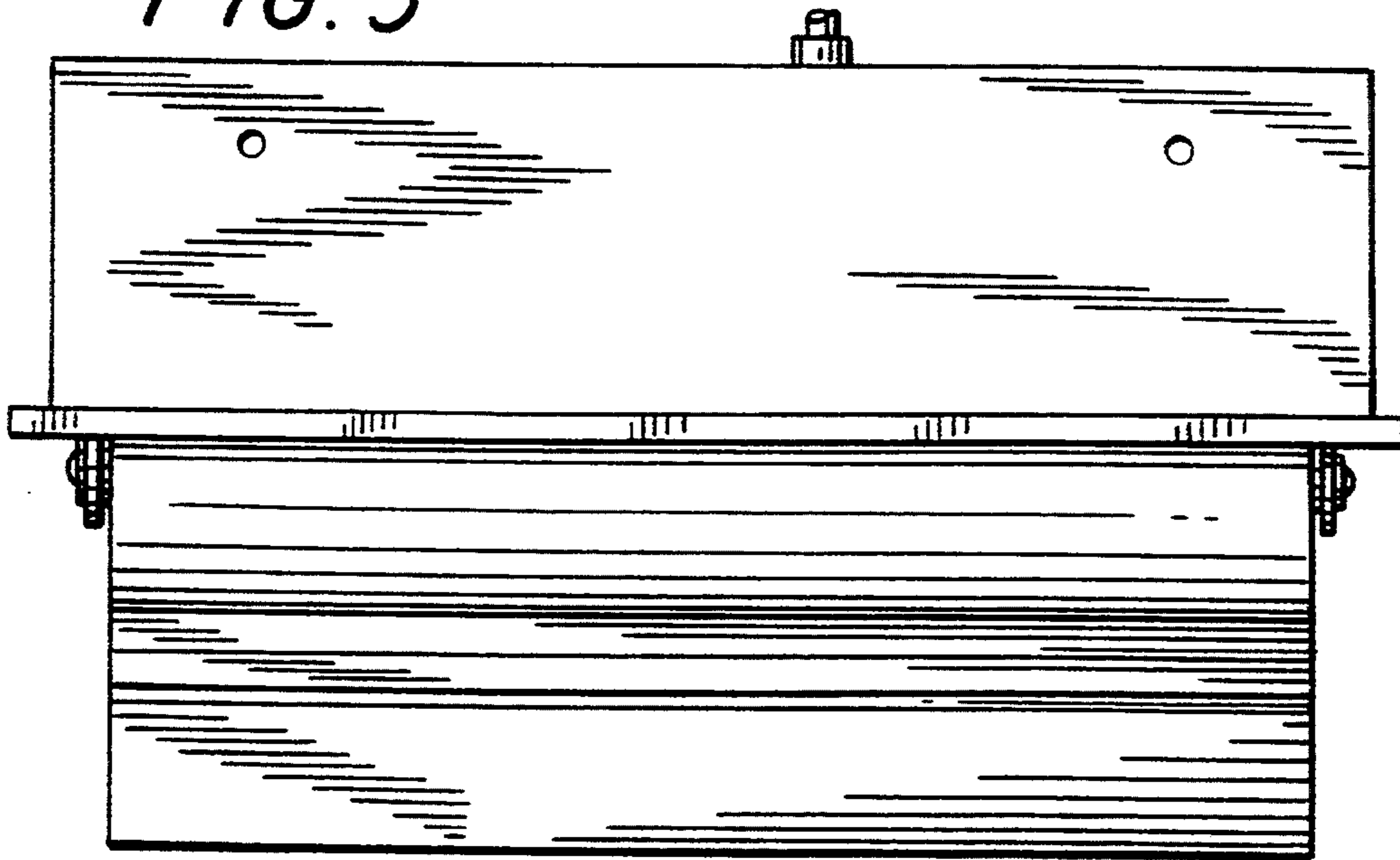


FIG. 6

