



US00D360268S

United States Patent [19]

[11] Patent Number: **Des. 360,268**

Dalton et al.

[45] Date of Patent: **** Jul. 11, 1995**

[54] FLASHLIGHT

3,252,733 5/1966 Moore et al. D26/48 X

[75] Inventors: **David Dalton, Turramurra; John Brown, Northbridge, both of Australia**

3,535,506 10/1970 Moore et al. 362/184

3,794,825 2/1974 Krupansky 362/158

[73] Assignee: **Eveready Australia Pty. Limited, Australia**

Primary Examiner—Susan J. Lucas
Attorney, Agent, or Firm—Breiner & Breiner

[**] Term: **14 Years**

[57] CLAIM

[21] Appl. No.: **8,993**

The ornamental design for a flashlight, as shown and described.

[22] Filed: **Jun. 2, 1993**

DESCRIPTION

[30] Foreign Application Priority Data

Dec. 3, 1992 [AU] Australia 3525/92

[52] U.S. Cl. **D26/48**

[58] Field of Search D26/37-50;
362/157, 158, 183, 184, 188-203

FIG. 1 is a perspective view of the first embodiment of a flashlight;

FIG. 2 is a right side view of FIG. 1;

FIG. 3 is a left side view of FIG. 1;

FIG. 4 is a top plan view of FIG. 1;

FIG. 5 is a bottom plan view of FIG. 1;

FIG. 6 is a perspective view of a second embodiment of our new design;

FIG. 7 is an angle side view of FIG. 6;

FIG. 8 is a side view of FIG. 6;

FIG. 9 is a top plan view of FIG. 6 and,

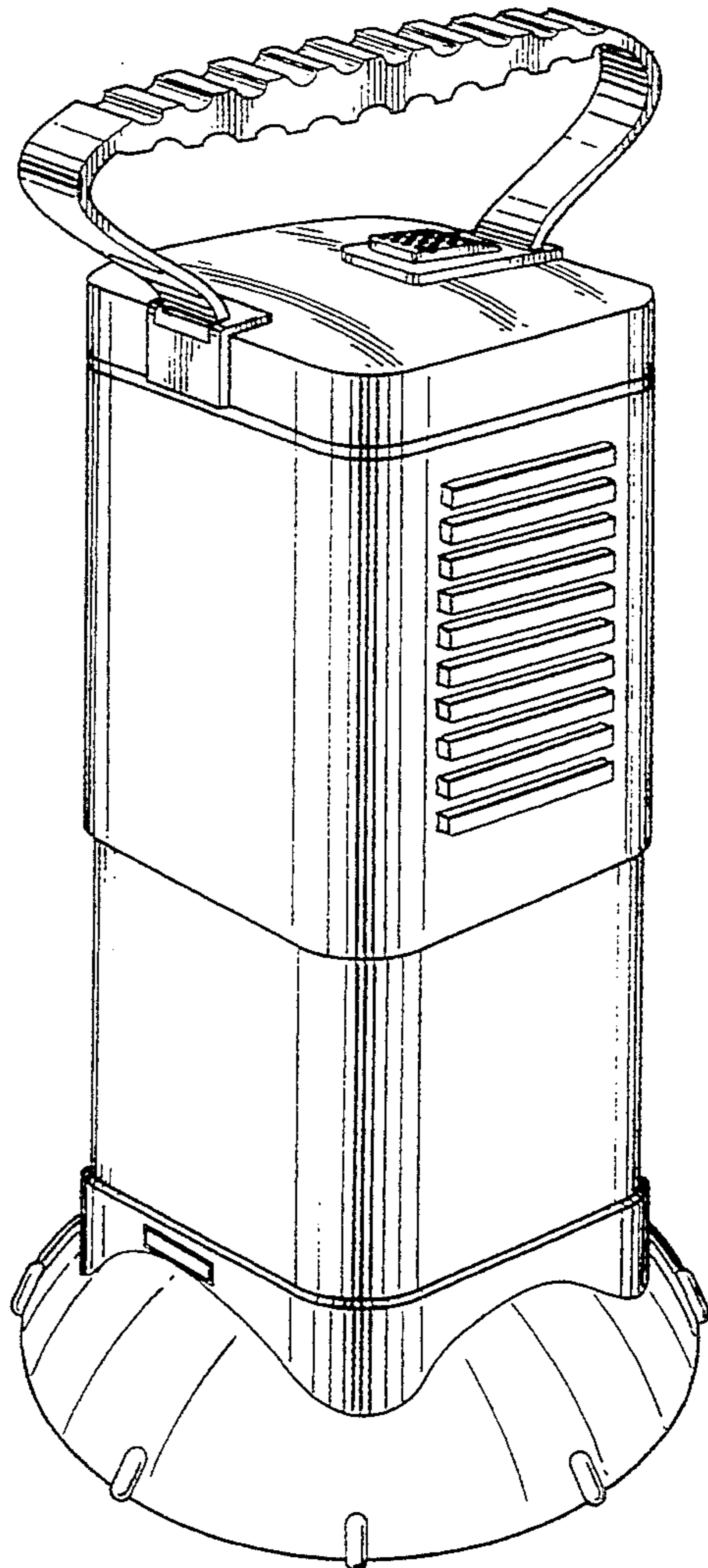
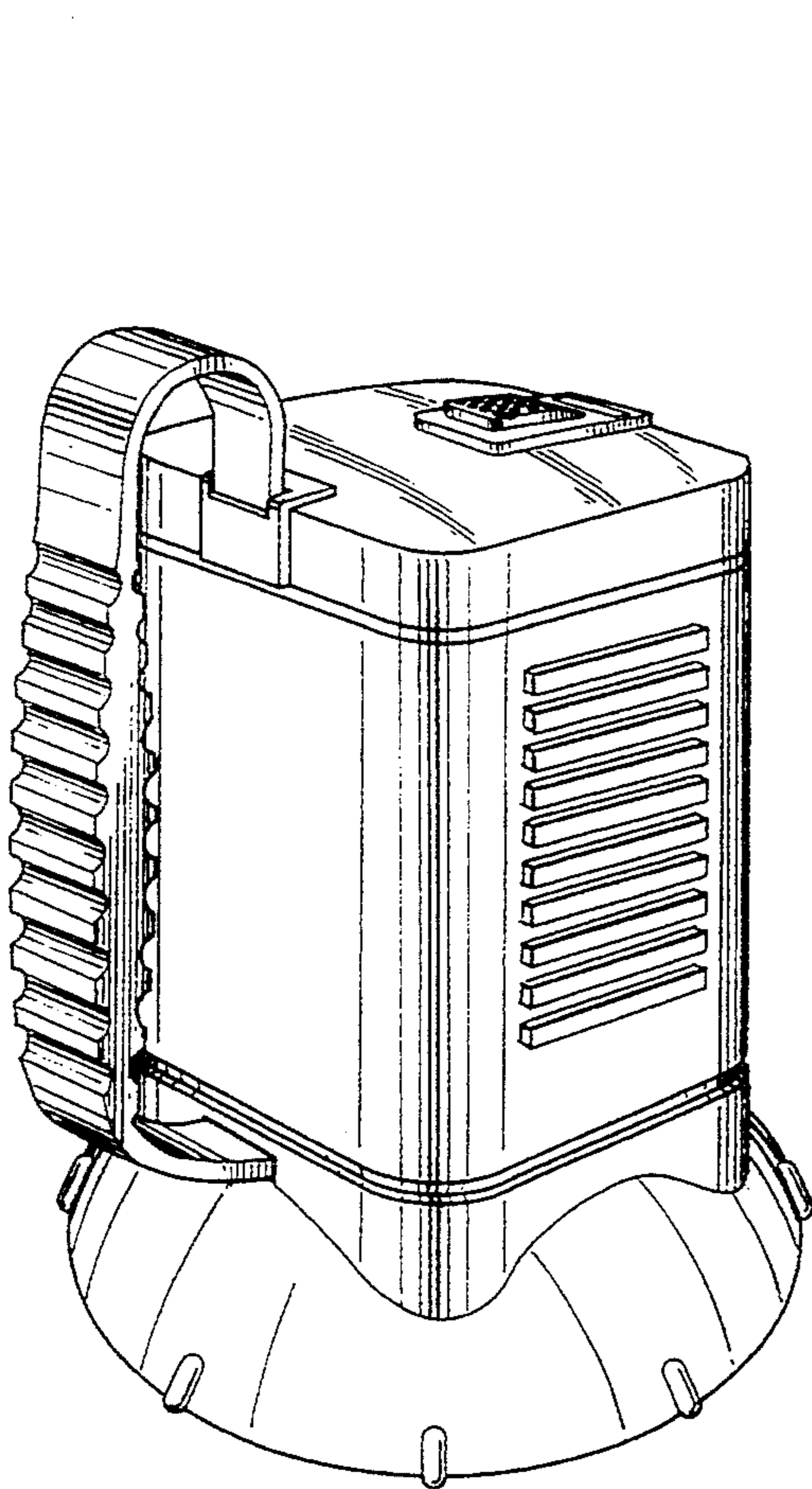
FIG. 10 is a bottom plan view of FIG. 6.

[56] References Cited

U.S. PATENT DOCUMENTS

D. 284,309 6/1986 Schosser et al. D26/48

D. 290,171 6/1987 Lam D26/48



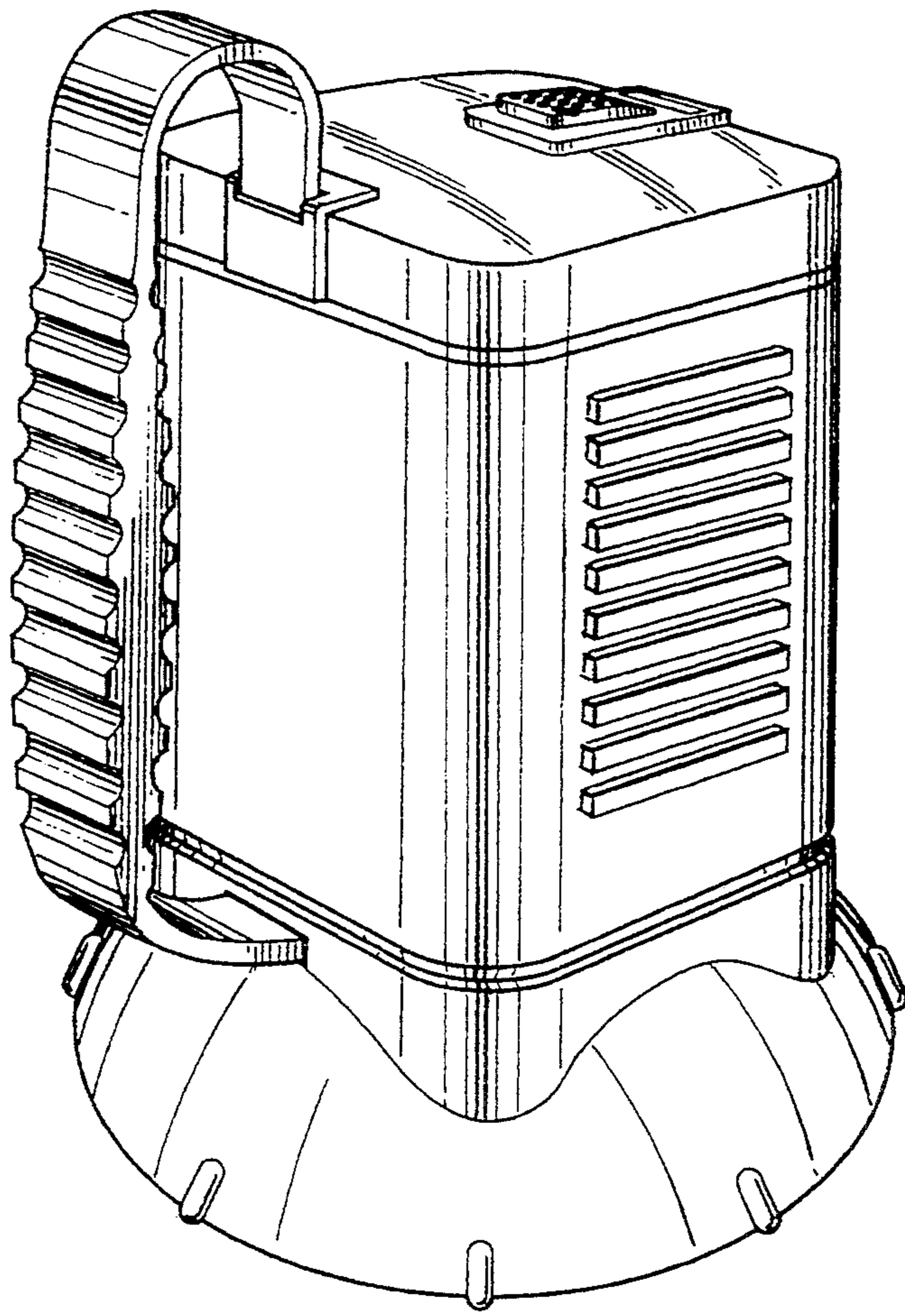


Fig. 1

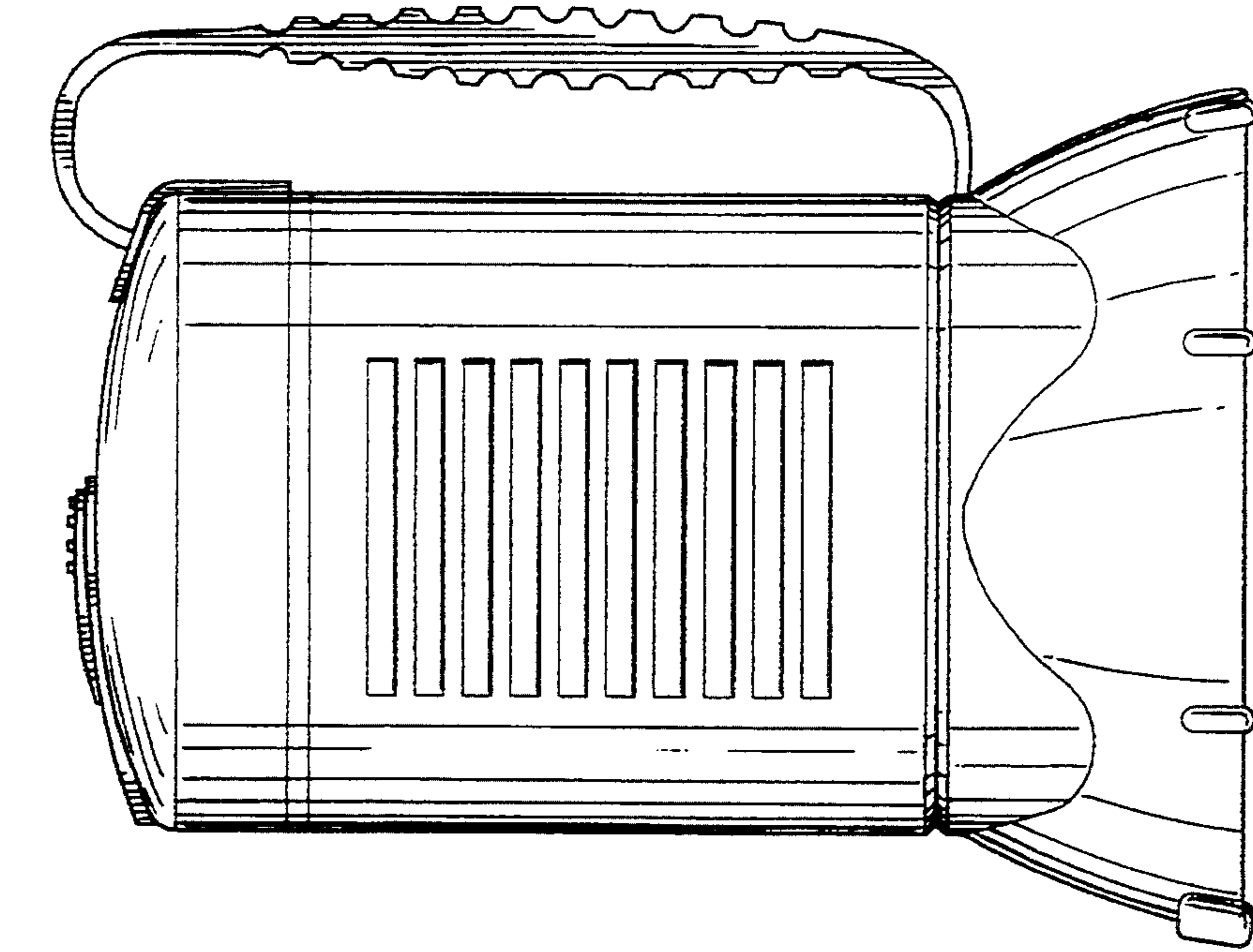


Fig. 2

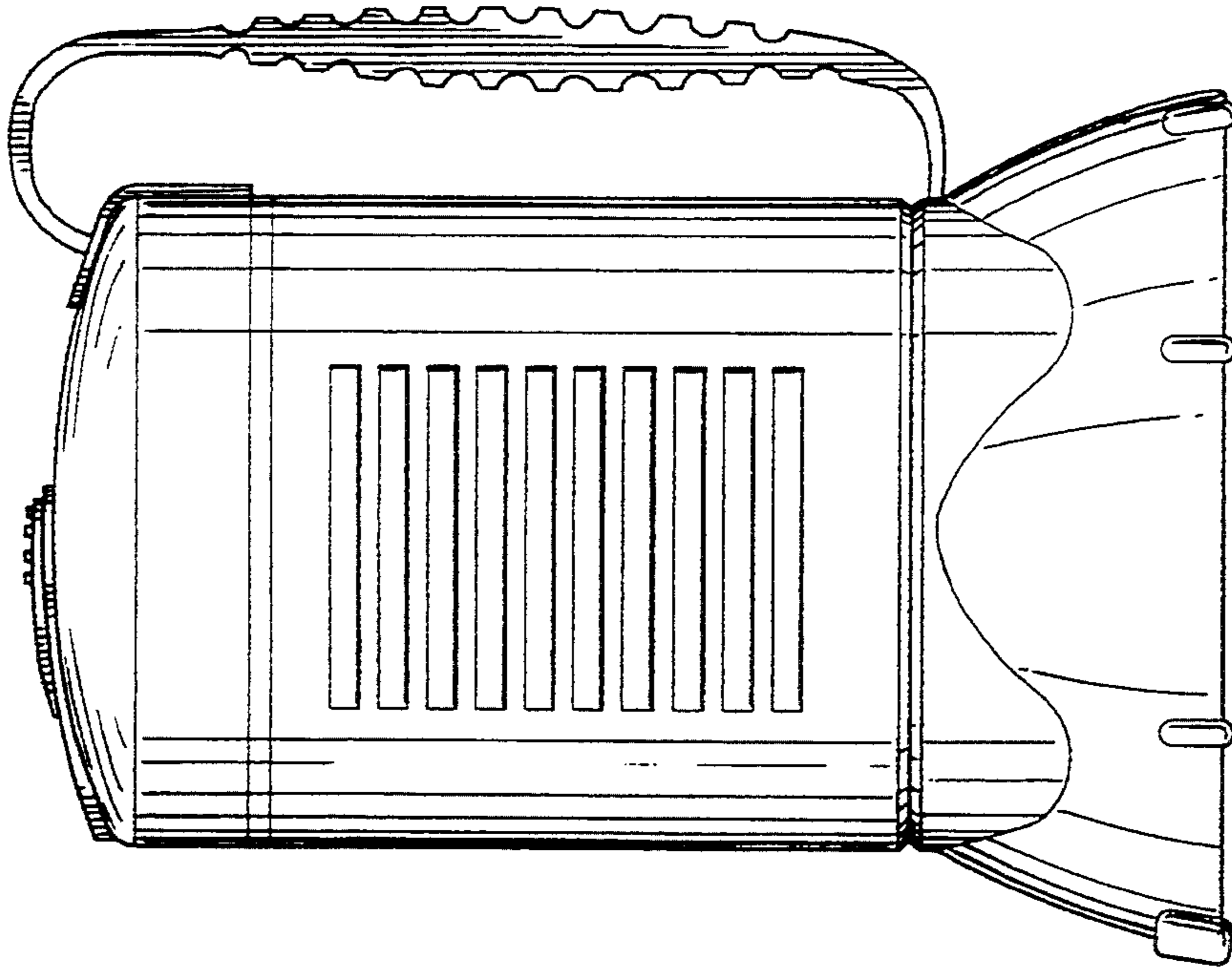


Fig. 3

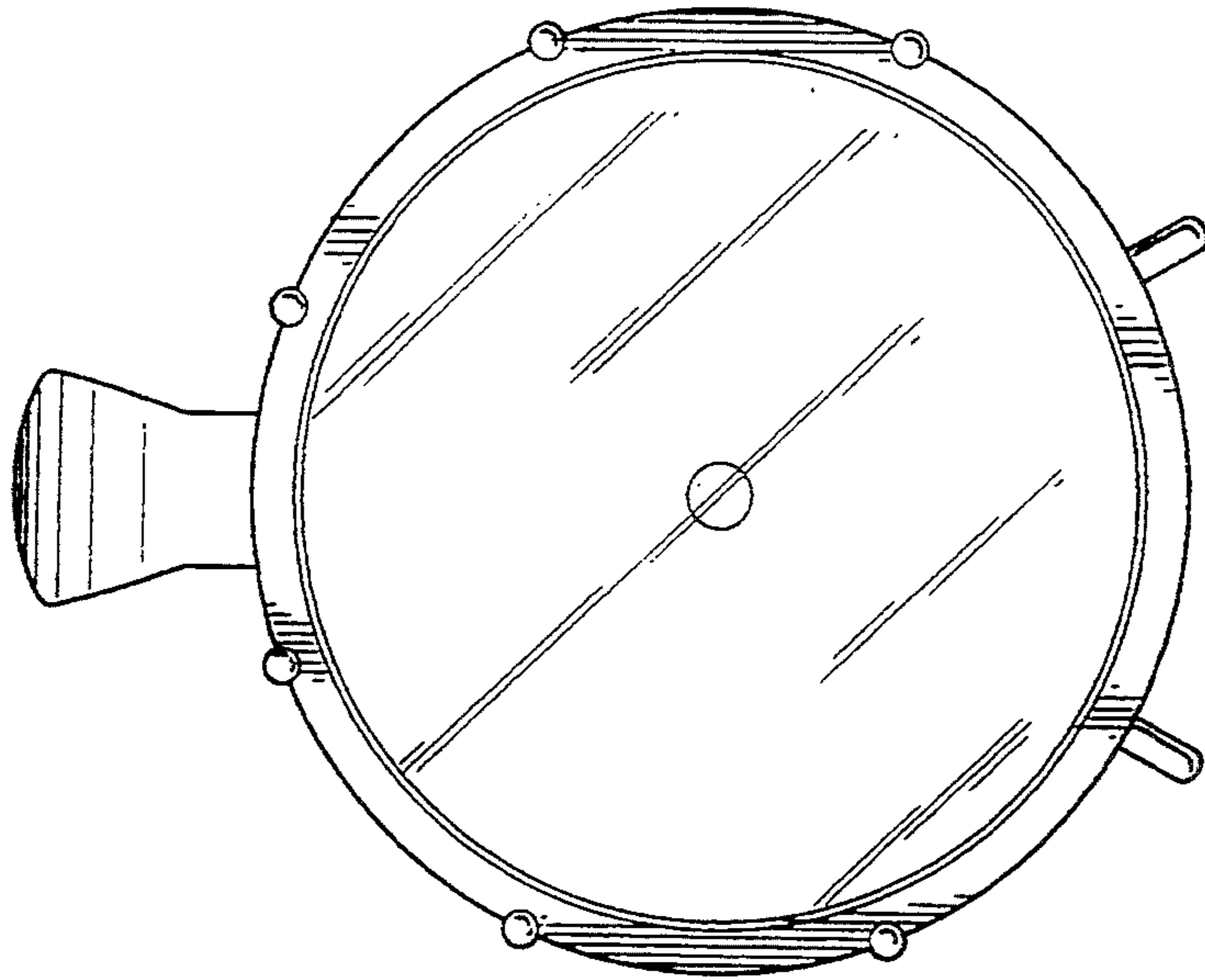


Fig. 5

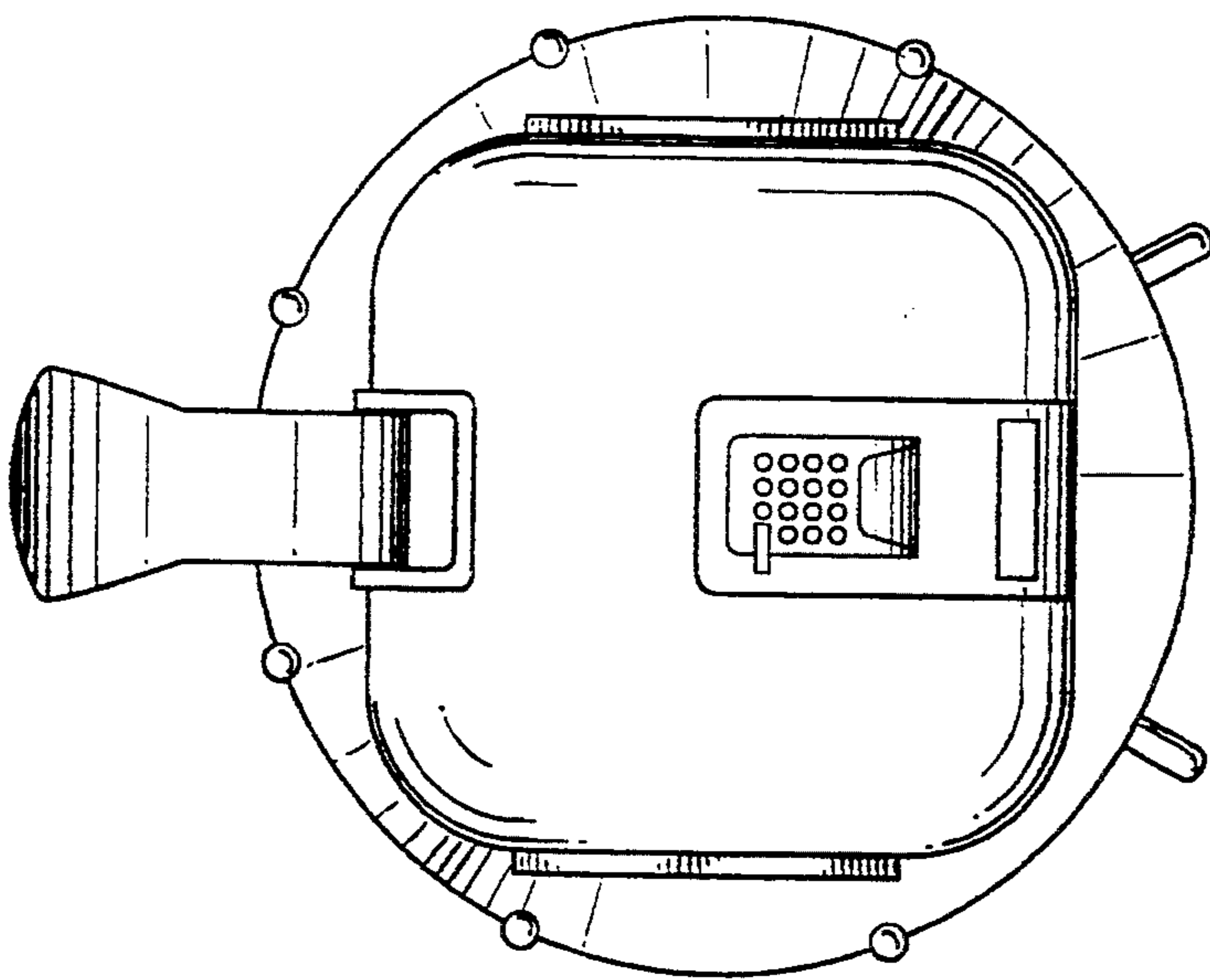


Fig. 4

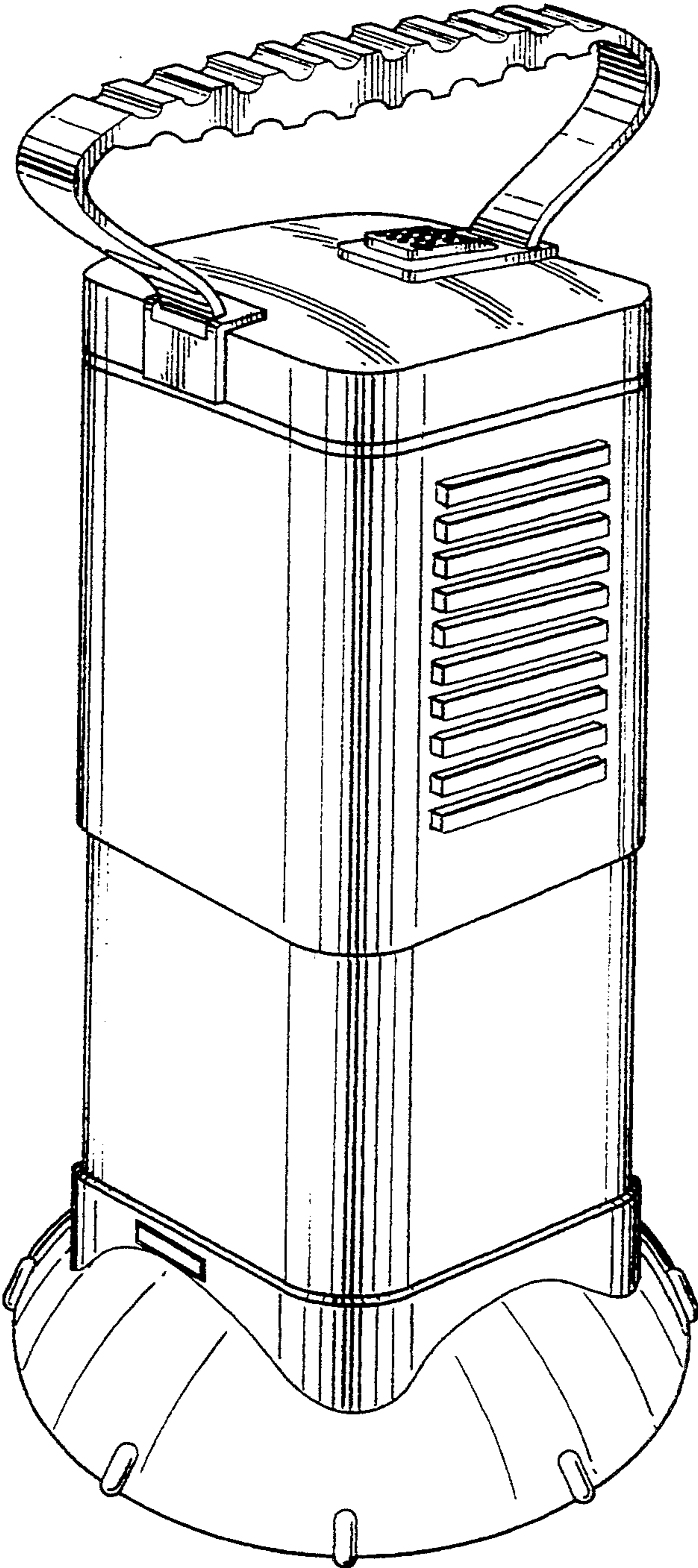


Fig. 6

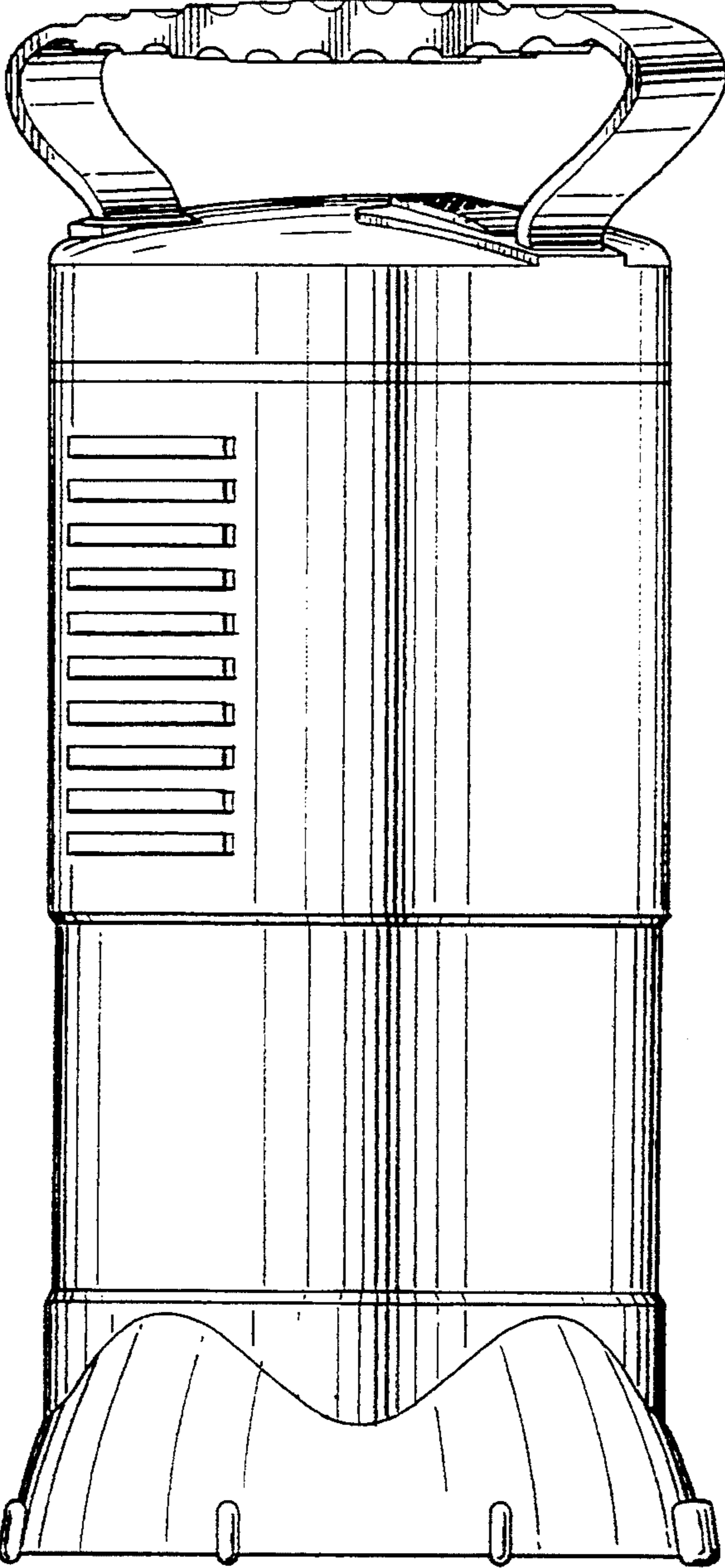


Fig. 7

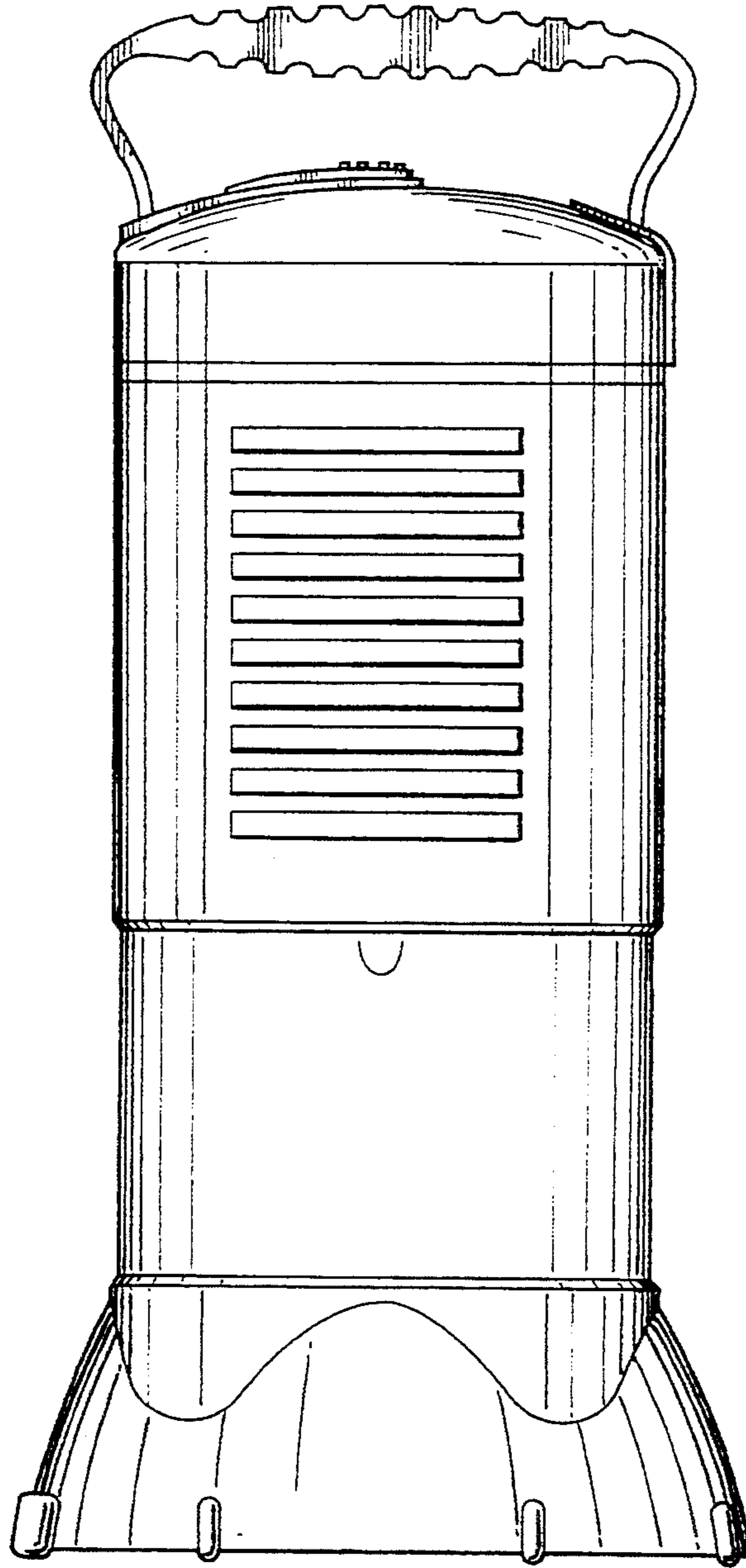


Fig. 8

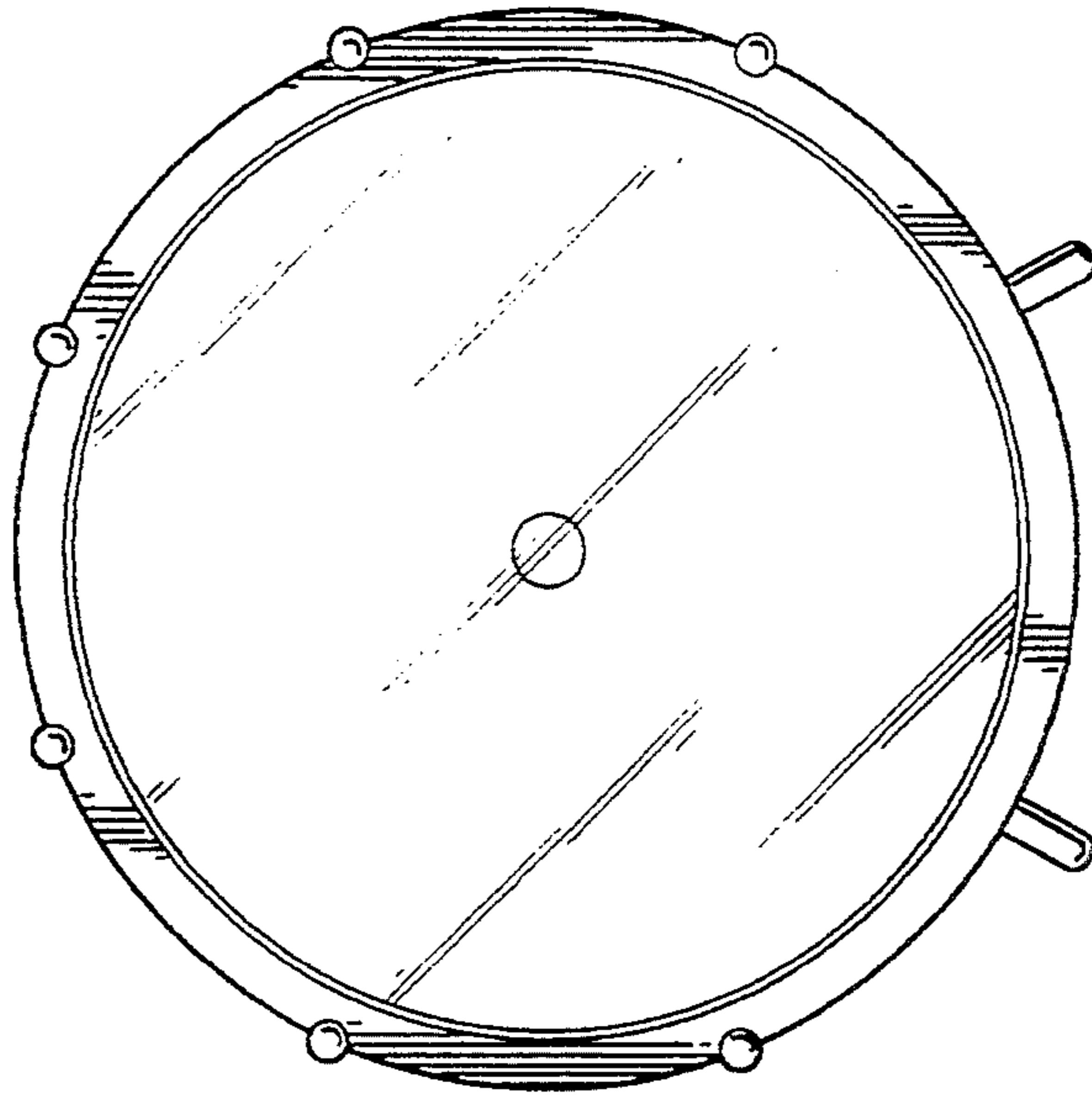


Fig. 10

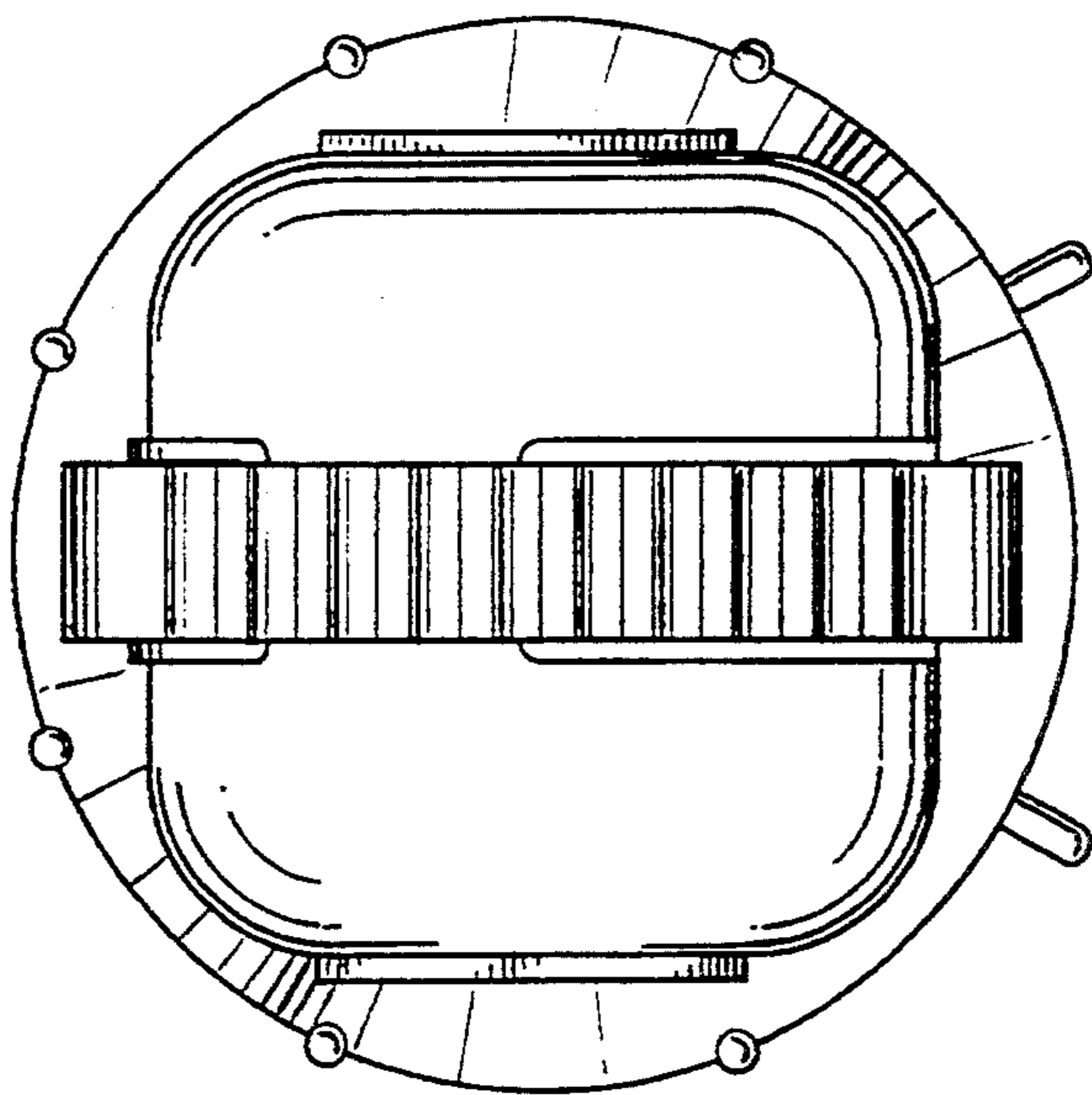


Fig. 9