



US00D360267S

United States Patent [19]
DiGiorgio

[11] **Patent Number: Des. 360,267**

[45] **Date of Patent: ** Jul. 11, 1995**

[54] **DOOR JAMB**

[75] **Inventor: Tony DiGiorgio, Woodbridge, Canada**

[73] **Assignee: Dominion Plastics Inc., Woodbridge, Canada**

[**] **Term: 14 Years**

[21] **Appl. No.: 29,169**

[22] **Filed: Sep. 29, 1994**

[52] **U.S. Cl. D25/124**

[58] **Field of Search D25/124, 125, 60; 49/DIG. 1, DIG. 2, 501, 502, 504**

[56]

References Cited

U.S. PATENT DOCUMENTS

D. 299,969 2/1989 Handy D25/124
5,115,597 5/1922 Tilly et al. 49/504

Primary Examiner—Doris Clark

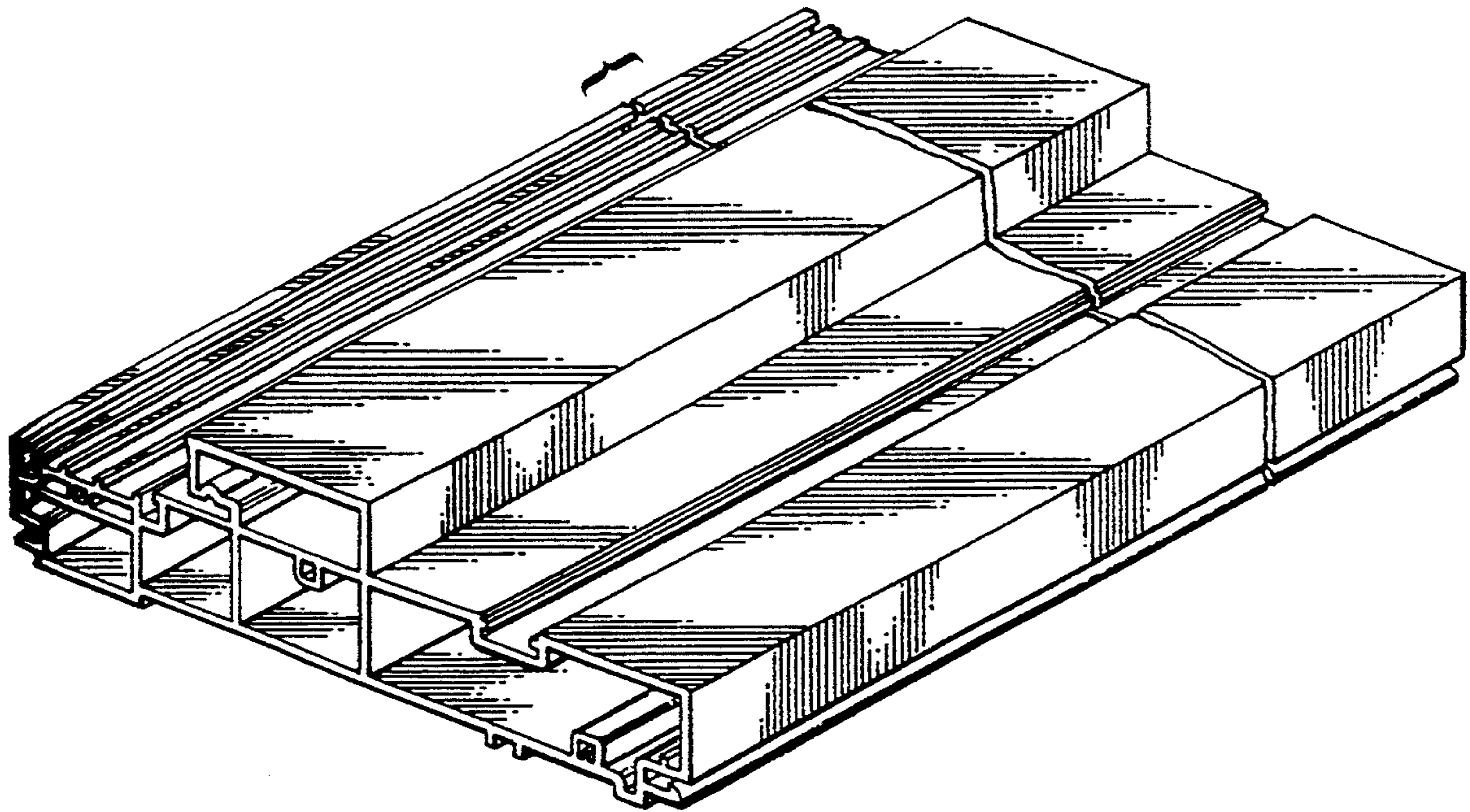
[57]

CLAIM

The ornamental design for a door jamb, as shown.

DESCRIPTION

FIG. 1 is a perspective view of the door jamb;
FIG. 2 is an end view of the door jamb;
FIG. 3 is a right side view of the door jamb;
FIG. 4 is a top view of the door jamb;
FIG. 5 is a left side view of the door jamb; and,
FIG. 6 is a bottom view of the door jamb.



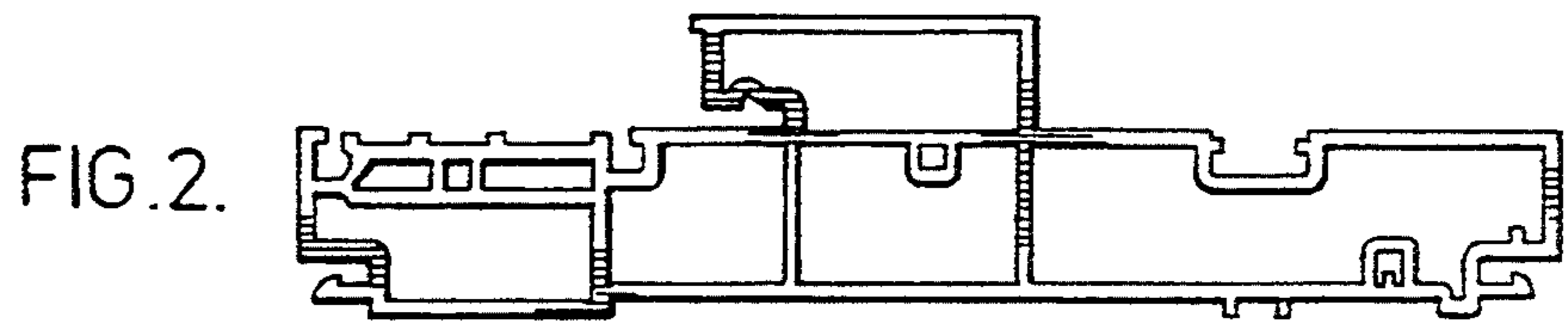
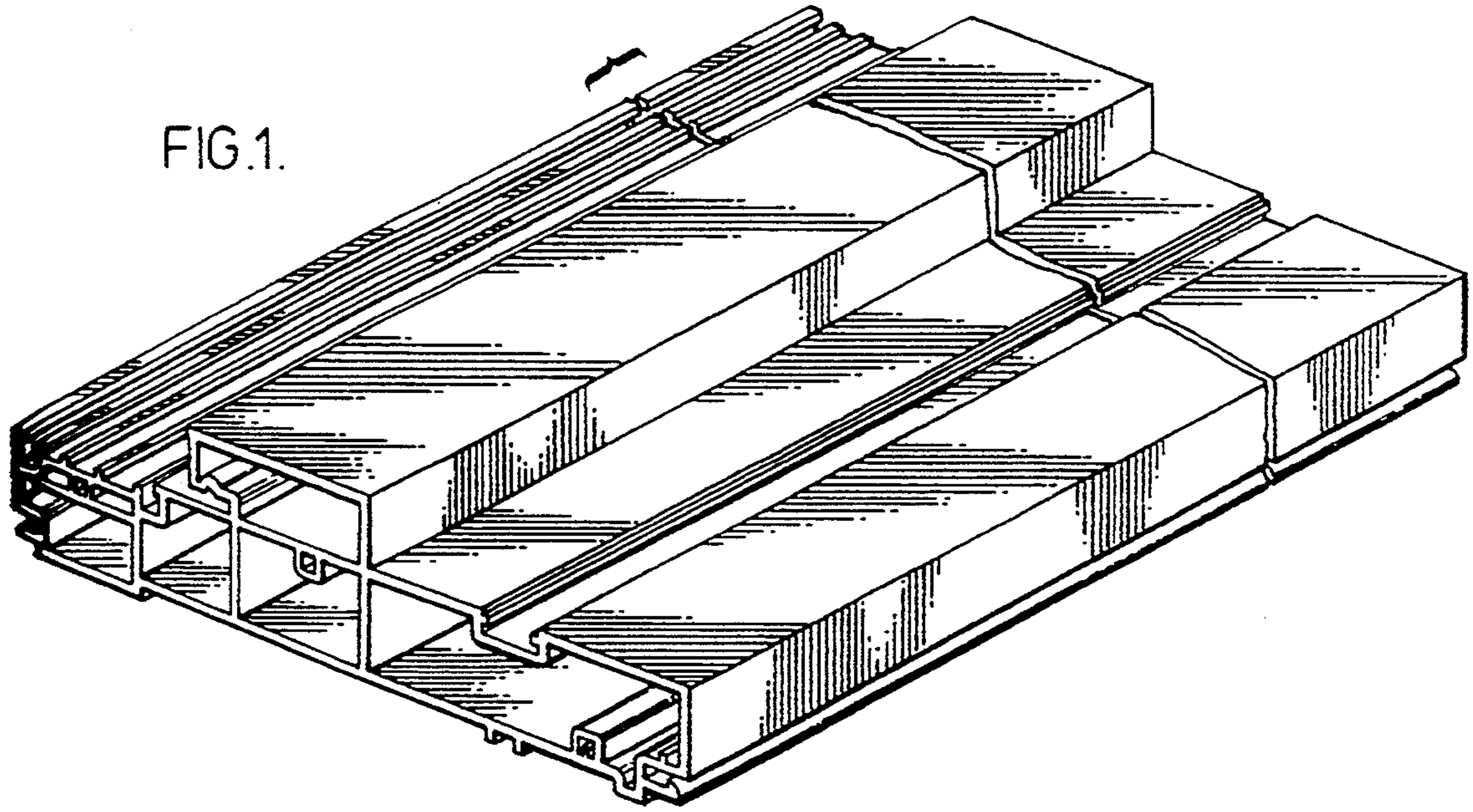


FIG. 3.

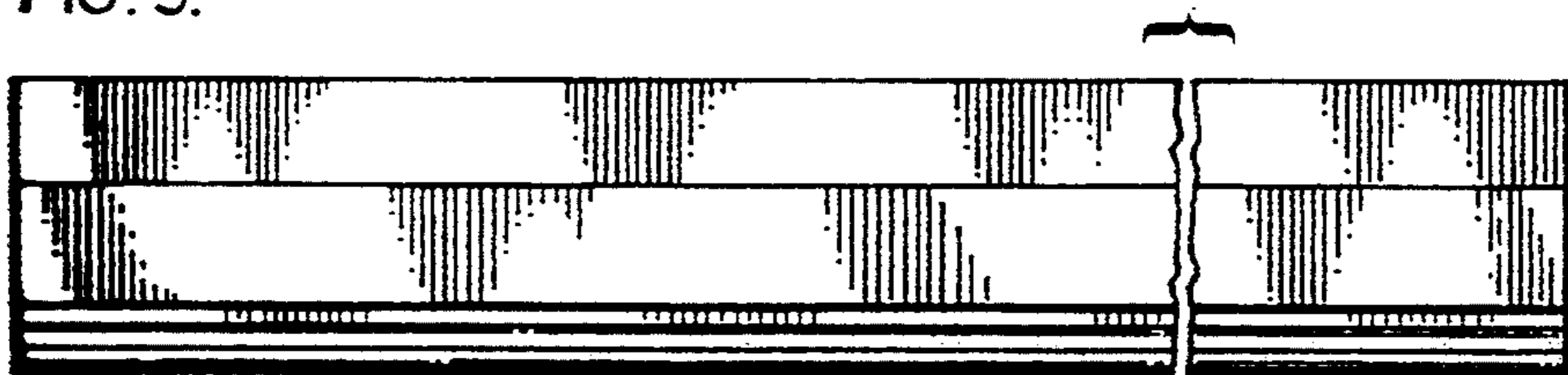


FIG. 4.

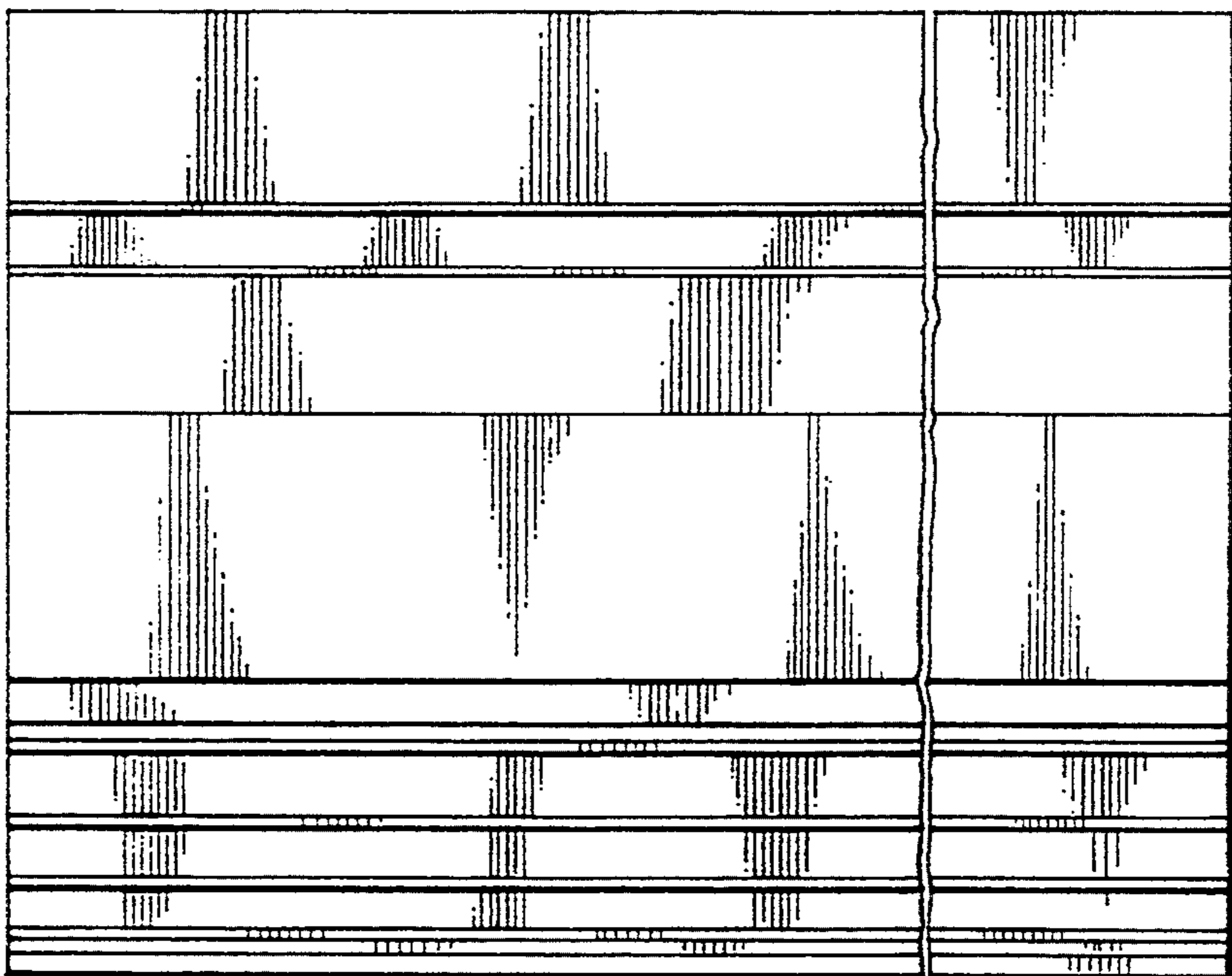


FIG. 5.

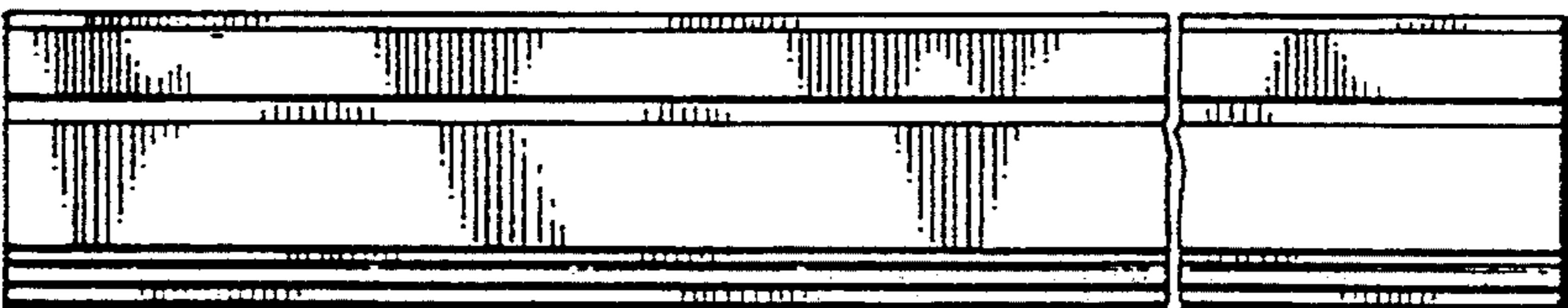


FIG. 6.

