



US00D360266S

**United States Patent** [19]  
**DiGiorgio**

[11] **Patent Number: Des. 360,266**  
[45] **Date of Patent: \*\* Jul. 11, 1995**

[54] **DOOR FRAME**

[75] **Inventor: Tony DiGiorgio, Woodbridge, Canada**

[73] **Assignee: Dominion Plastics Inc., Woodbridge, Canada**

[\*\*] **Term: 14 Years**

[21] **Appl. No.: 29,168**

[22] **Filed: Sep. 29, 1994**

[52] **U.S. Cl. .... D25/124**

[58] **Field of Search .... D25/124, 125, 60; 49/DIG. 1, DIG. 2, 501, 502, 504**

[56]

**References Cited**

**U.S. PATENT DOCUMENTS**

D. 325,992 5/1992 Valentin ..... D25/124  
4,005,558 2/1977 Barrison ..... D25/60  
4,974,366 12/1990 Tizzoni ..... 49/DIG. 1  
5,063,711 11/1991 Huelin ..... 49/504

*Primary Examiner—Doris Clark*

[57]

**CLAIM**

An ornamental design for a door frame, as shown.

**DESCRIPTION**

FIG. 1 is a perspective view of the door frame;  
FIG. 2 is an end view of the door frame;  
FIG. 3 is a right side view of the door frame;  
FIG. 4 is a top view of the door frame;  
FIG. 5 is a left side view of the door frame; and,  
FIG. 6 is a bottom view of the door frame.

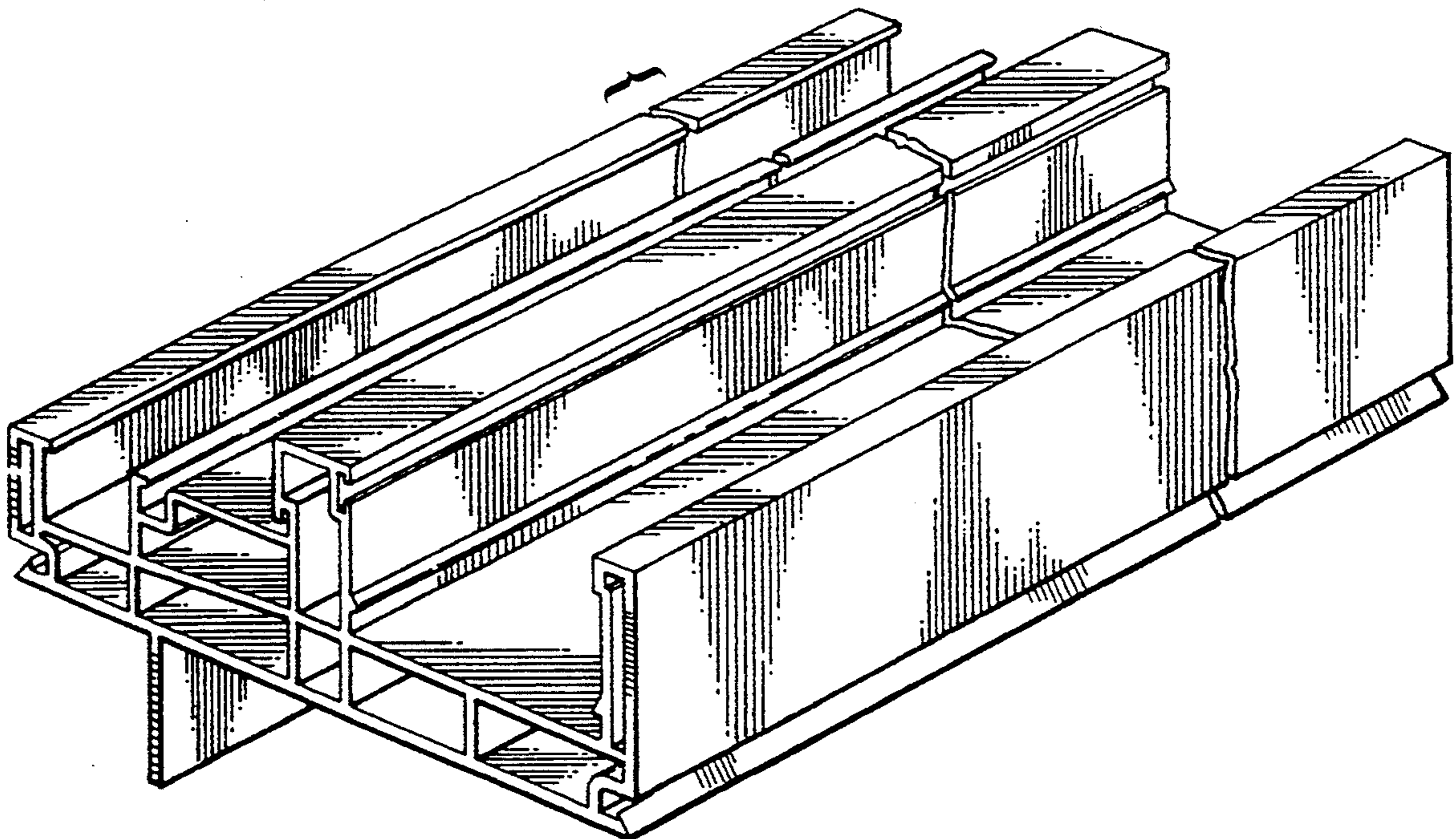


FIG. 1.

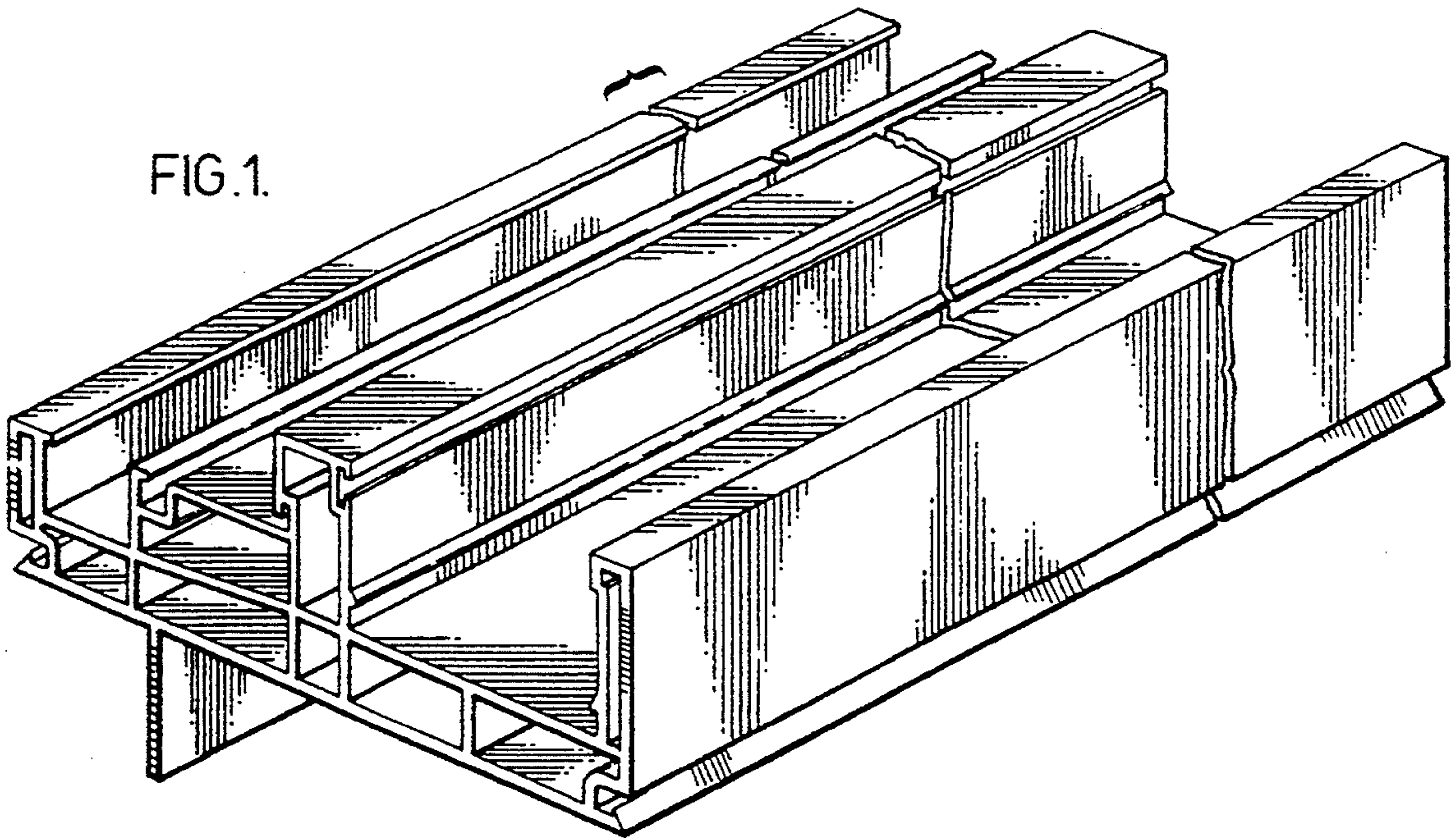


FIG. 2.

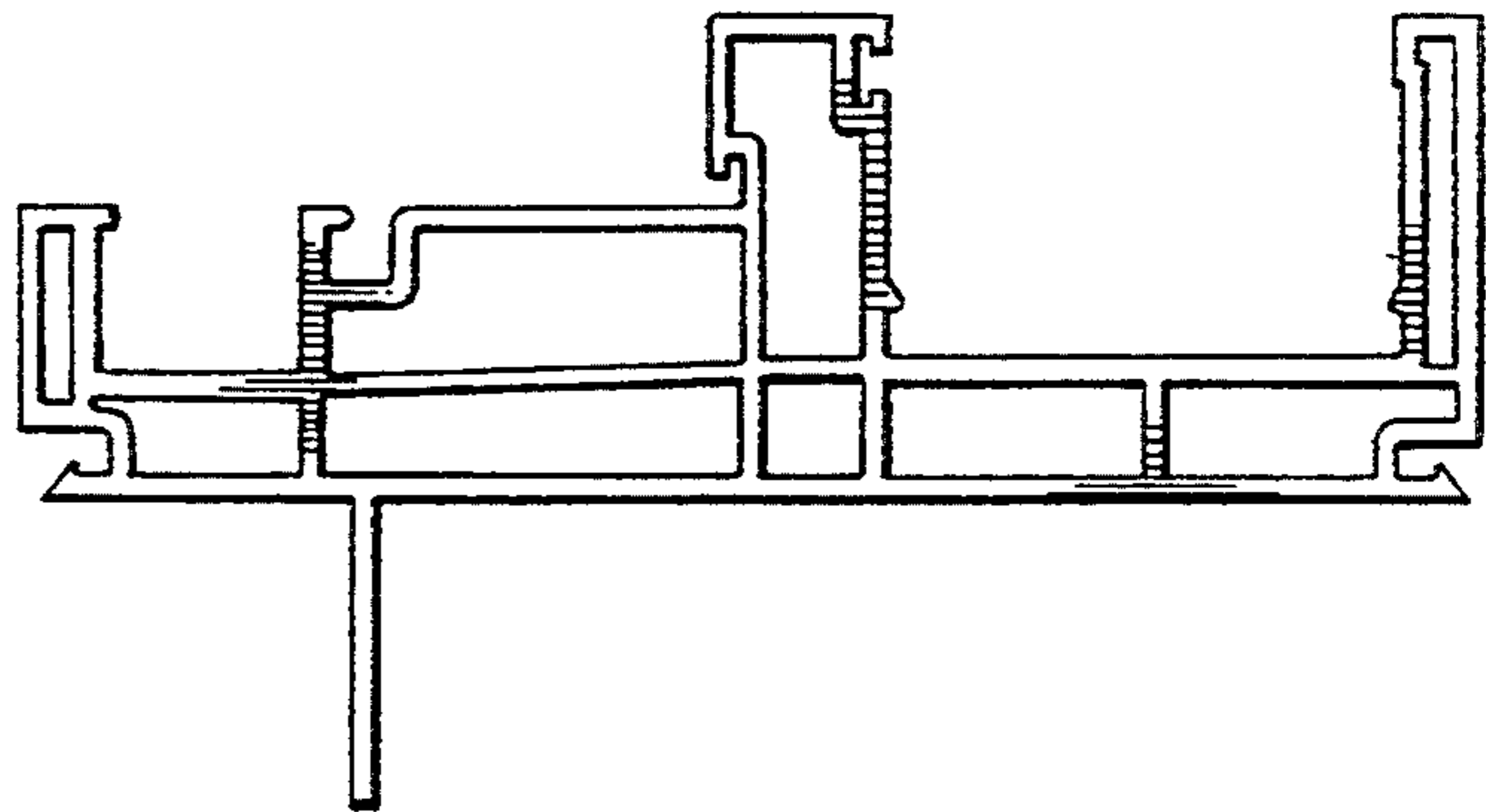


FIG. 3.

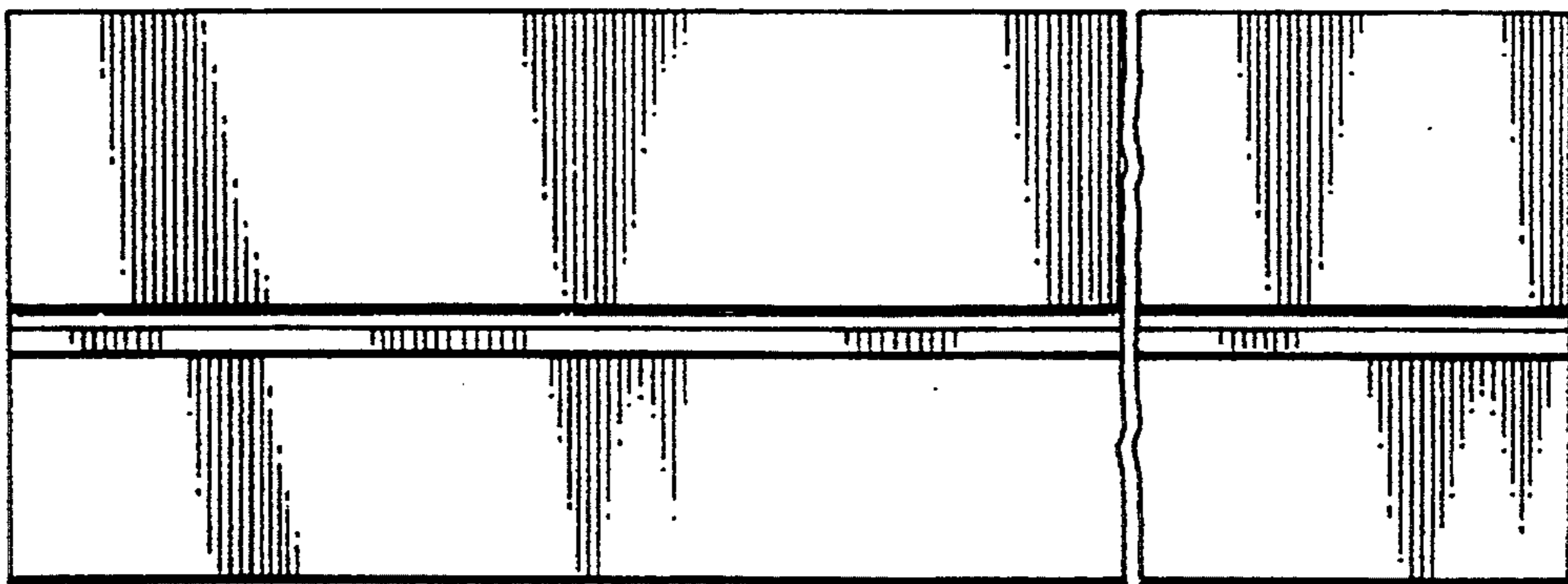


FIG. 4.

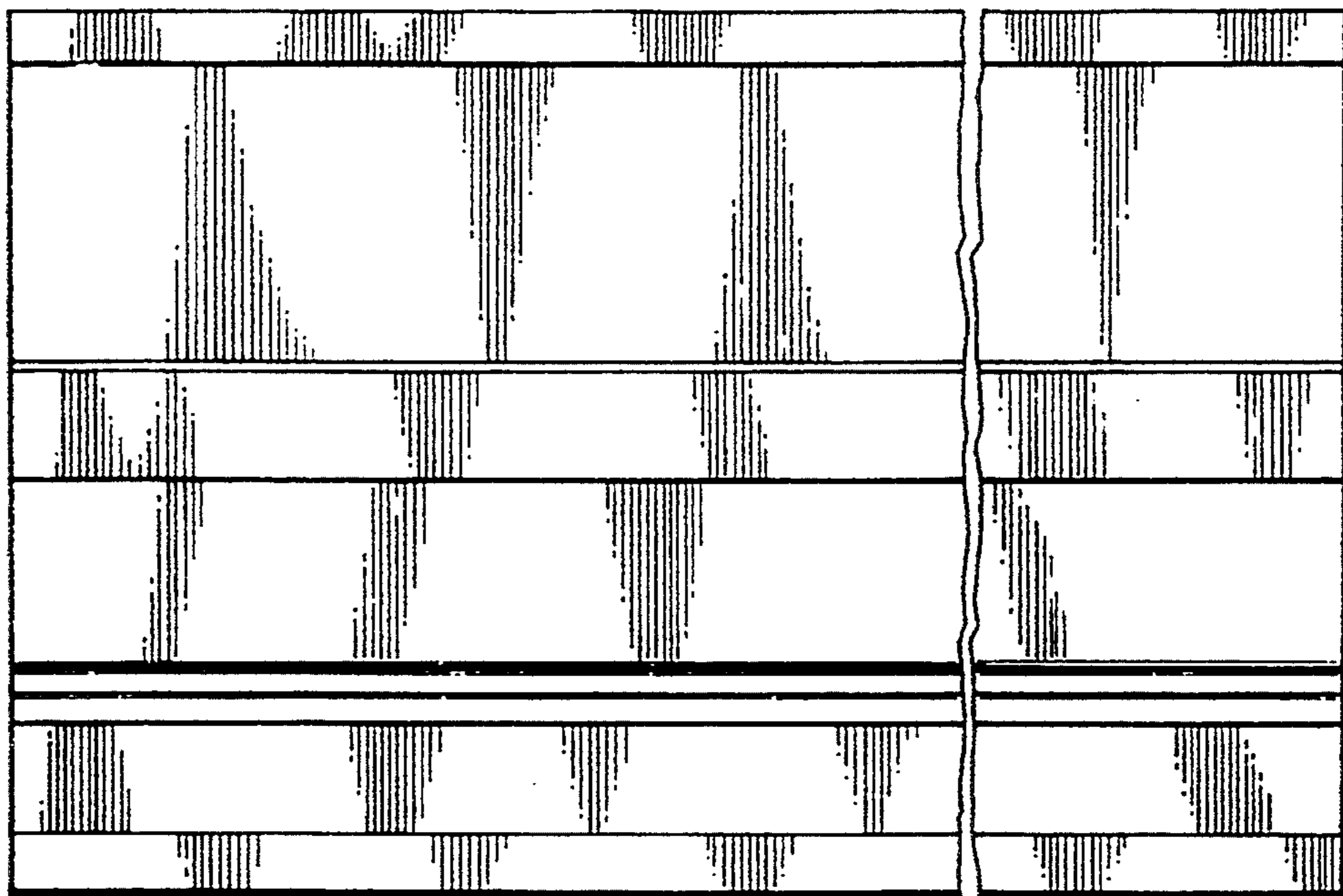


FIG. 5.

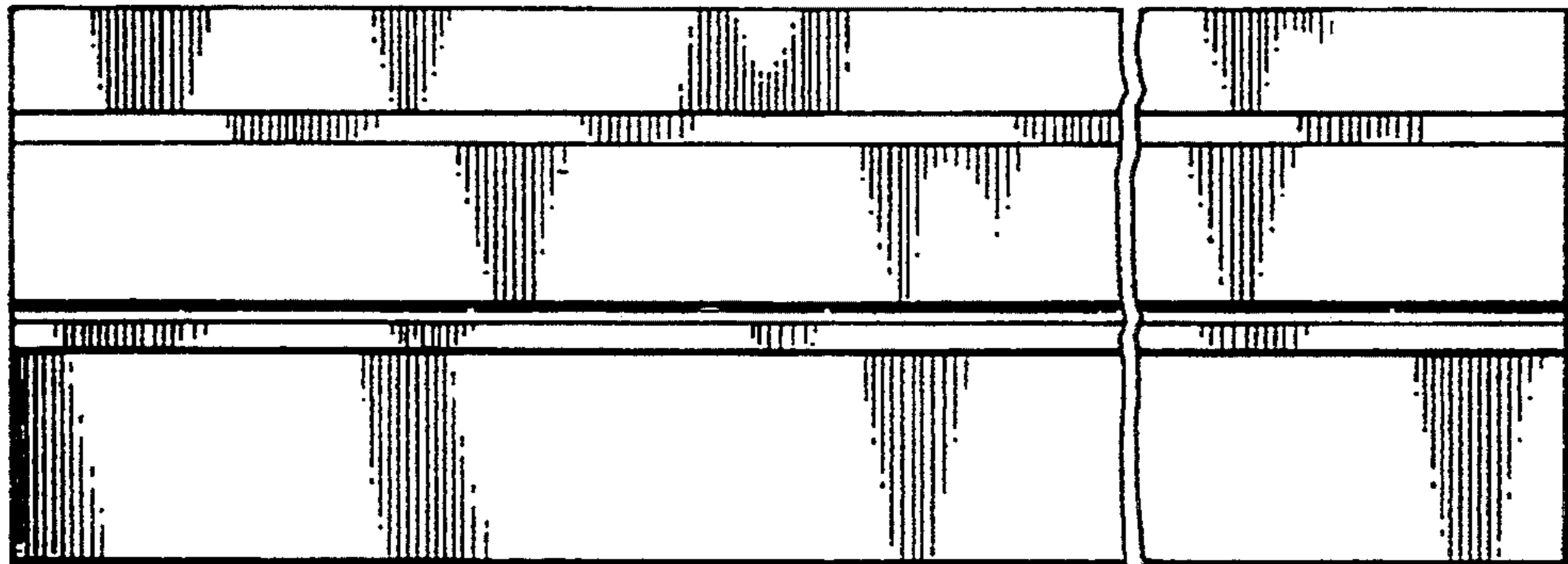


FIG. 6.

