



US00D360264S

United States Patent [19]
Wolff

[11] **Patent Number: Des. 360,264**

[45] **Date of Patent: ** Jul. 11, 1995**

[54] **TRAY FOR BIOLOGICAL SAMPLES**

[76] **Inventor: Stephen H. Wolff, 35 W. 35th St.,
New York, N.Y. 10001**

[**] **Term: 14 Years**

[21] **Appl. No.: 7,945**

[22] **Filed: May 5, 1993**

[52] **U.S. Cl. D24/227; D24/224;
D24/229**

[58] **Field of Search D24/224, 227, 229;
430/809; 422/58, 61, 102, 297; 206/560, 557,
558; D3/260**

[56] **References Cited**

U.S. PATENT DOCUMENTS

D. 208,153	7/1967	Fish	D24/229
D. 224,671	8/1972	Eddy	D24/229
D. 338,965	8/1993	Glanz et al.	D24/227
3,632,478	1/1972	Fink	435/294 X
4,593,819	6/1986	Will	D24/229 X

OTHER PUBLICATIONS

Lite Tuff Catalog "Plastic Fly and Lure Boxes" pp. 3
and 7 ©Aug. 1, 1983.

Vlchek Plastics Company "Craft boxes" Item KM806
KA806 ©Dec. 9, 1978.

Cole-Parmer "Plastic Work Catalog" p. 60 Item
©1984 Ex Room.

Primary Examiner—Louis S. Zarfes

Assistant Examiner—I. Simmons

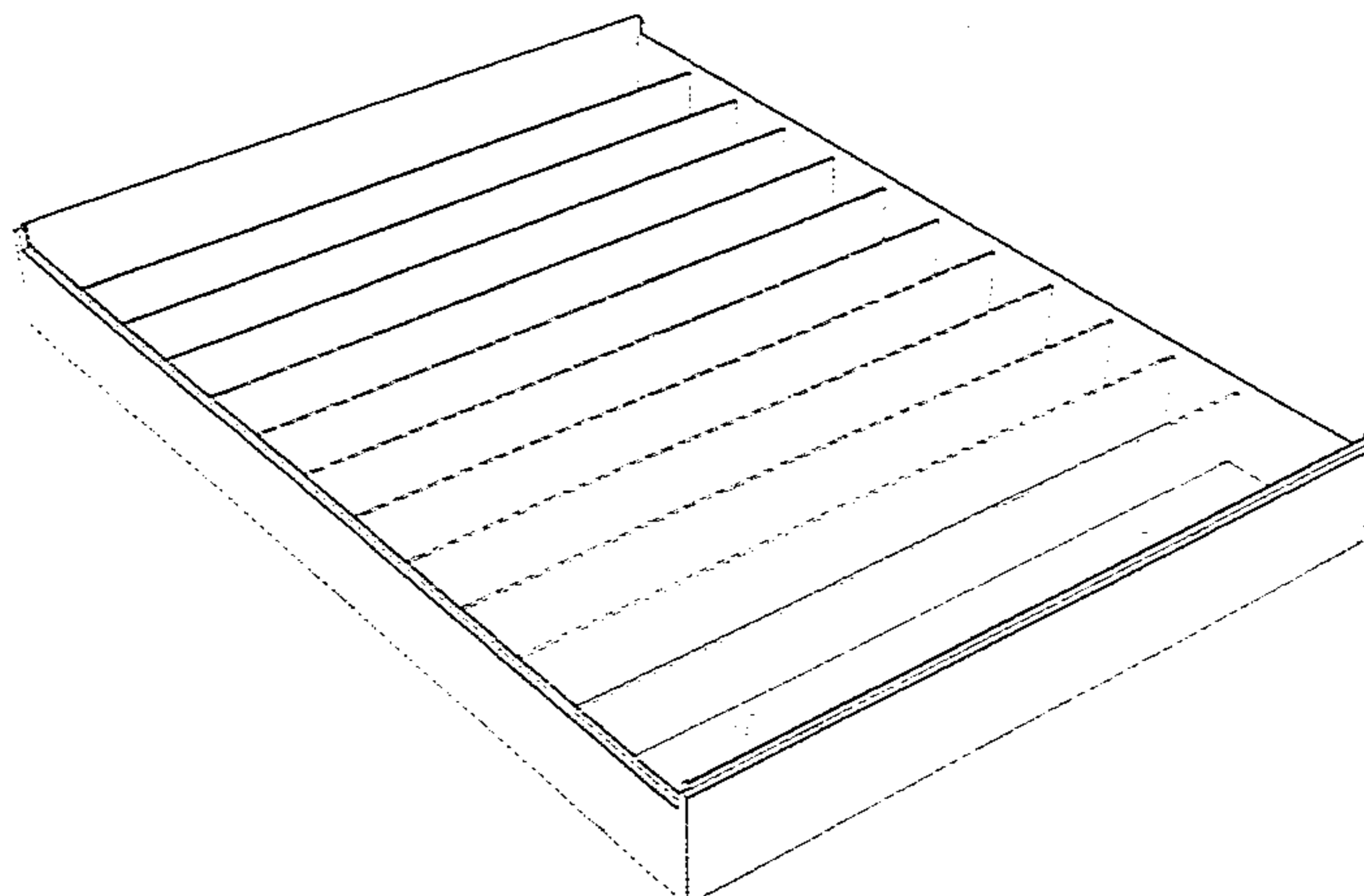
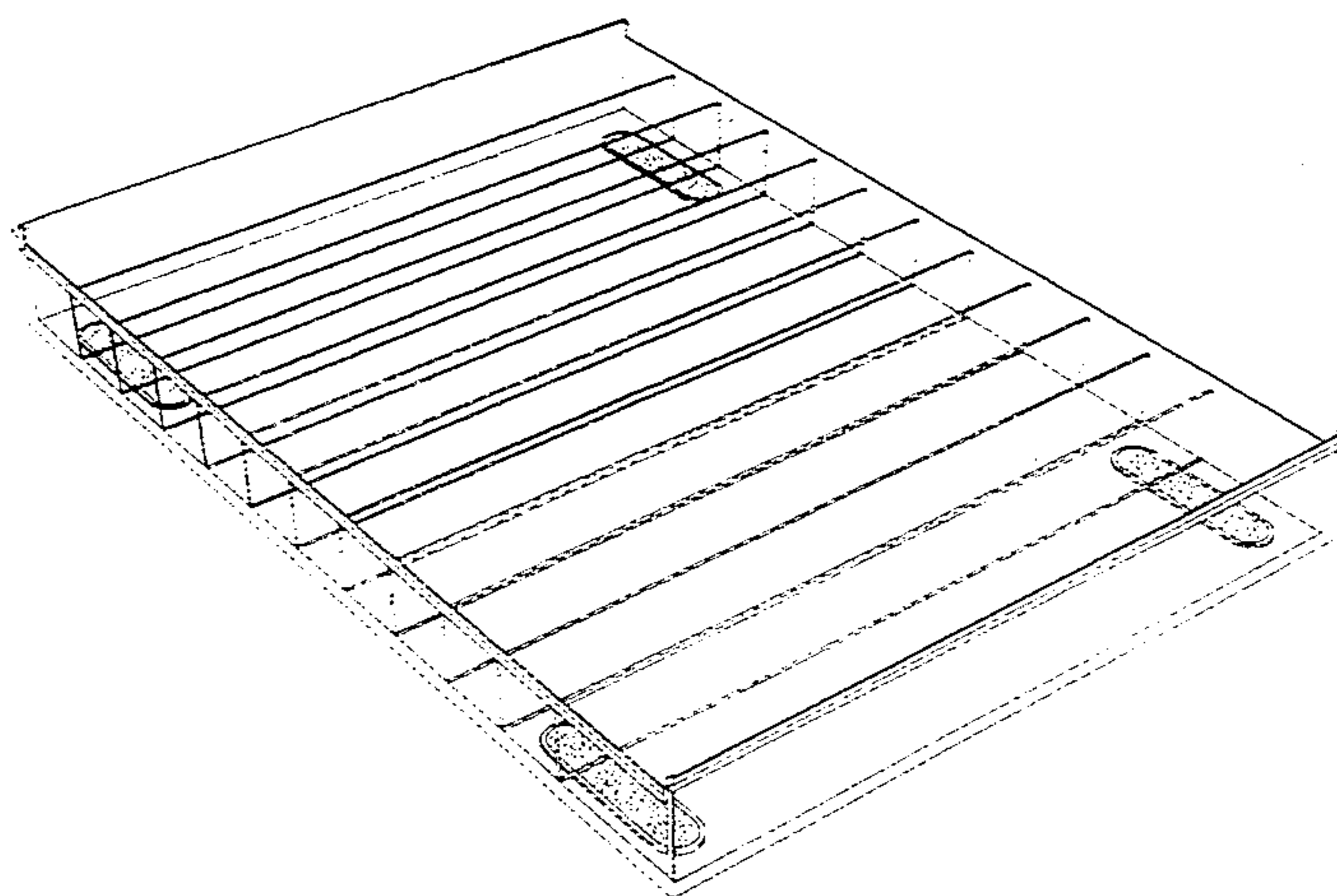
Attorney, Agent, or Firm—Lerner, David, Littenberg,
Krumholz & Mentlik

[57] **CLAIM**

The ornamental design for a tray for biological samples,
as shown and described.

DESCRIPTION

FIG. 1 is a perspective view of a tray for biological
samples showing my new design;
FIG. 2 is a top plan view thereof;
FIG. 3 is a bottom plan view thereof;
FIG. 4 is a right side elevational view thereof, the left
side elevational view being identical;
FIG. 5 is a front elevational view thereof, the rear ele-
vational view being identical;
FIG. 6 is a perspective view of a second embodiment of
a tray for biological samples showing my new design;
FIG. 7 is a top plan view thereof;
FIG. 8 is a bottom plan view thereof;
FIG. 9 is a right side elevational view thereof, the left
side elevational view being identical; and,
FIG. 10 is a front elevational view thereof, the rear
elevational view being identical.



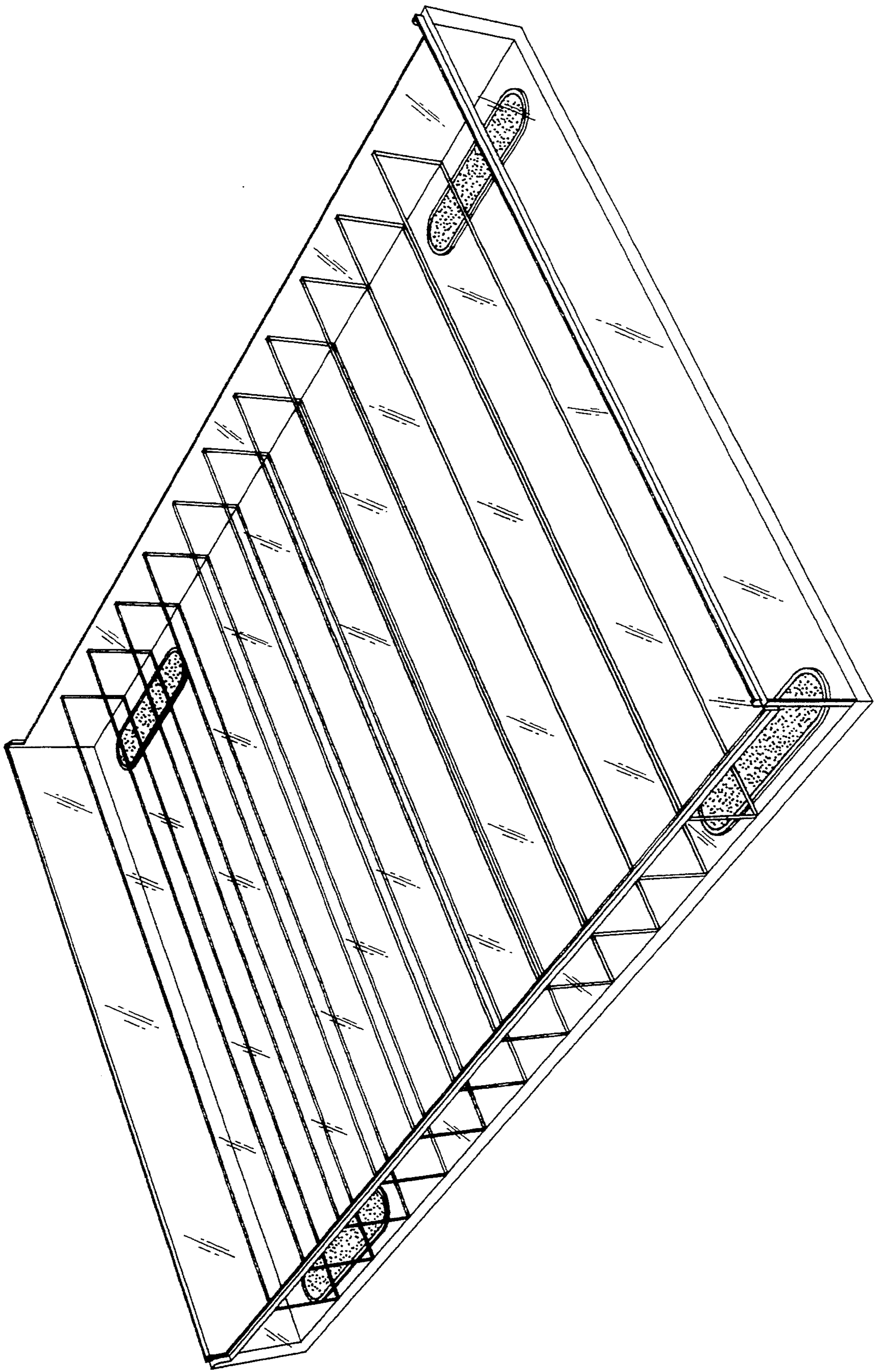


FIG. 1

FIG. 2

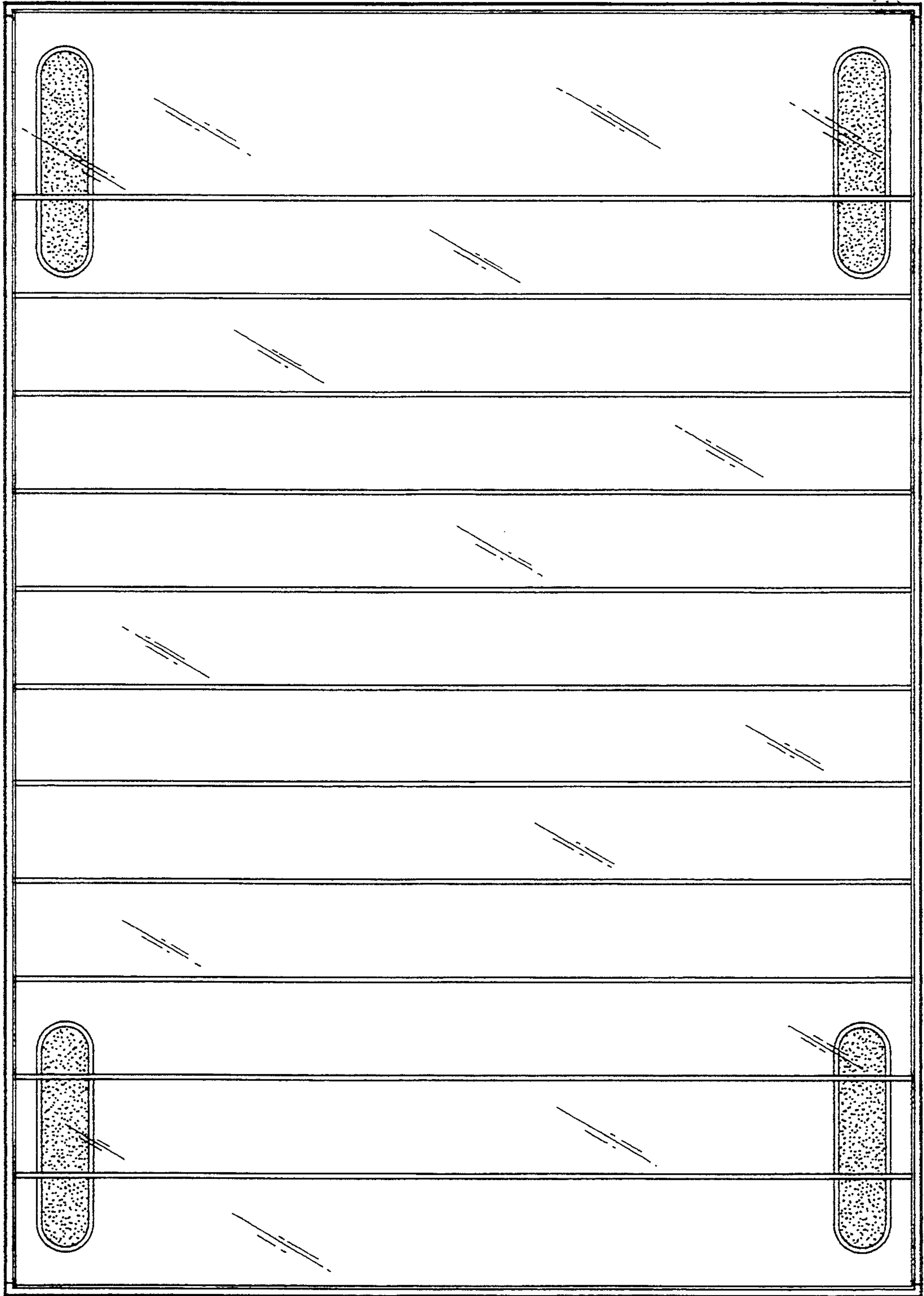


FIG. 3

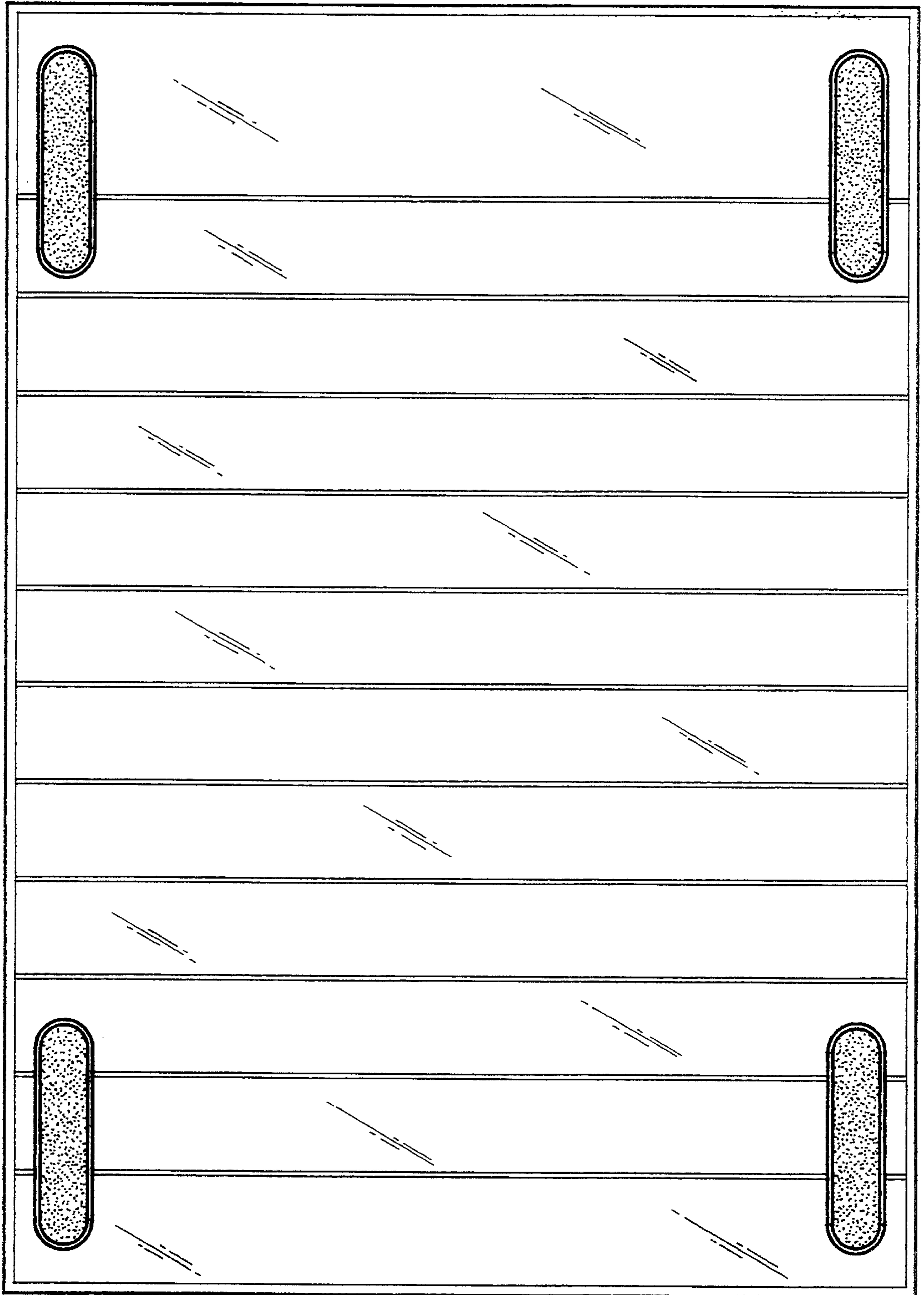


FIG. 4

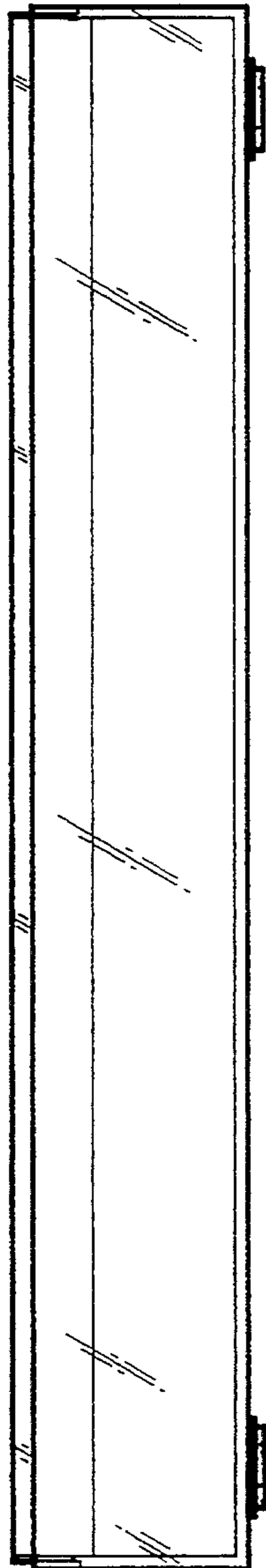
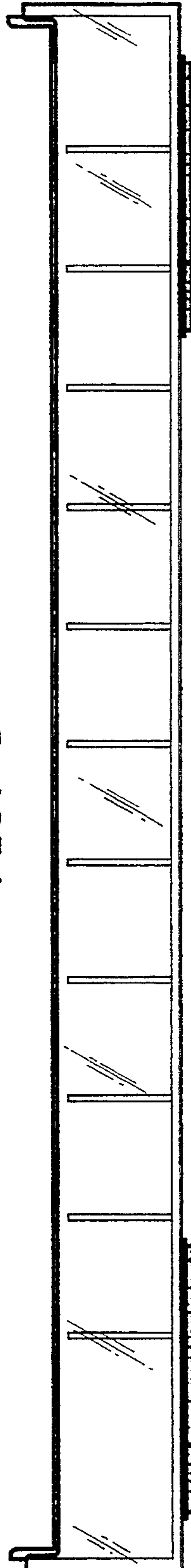


FIG. 5



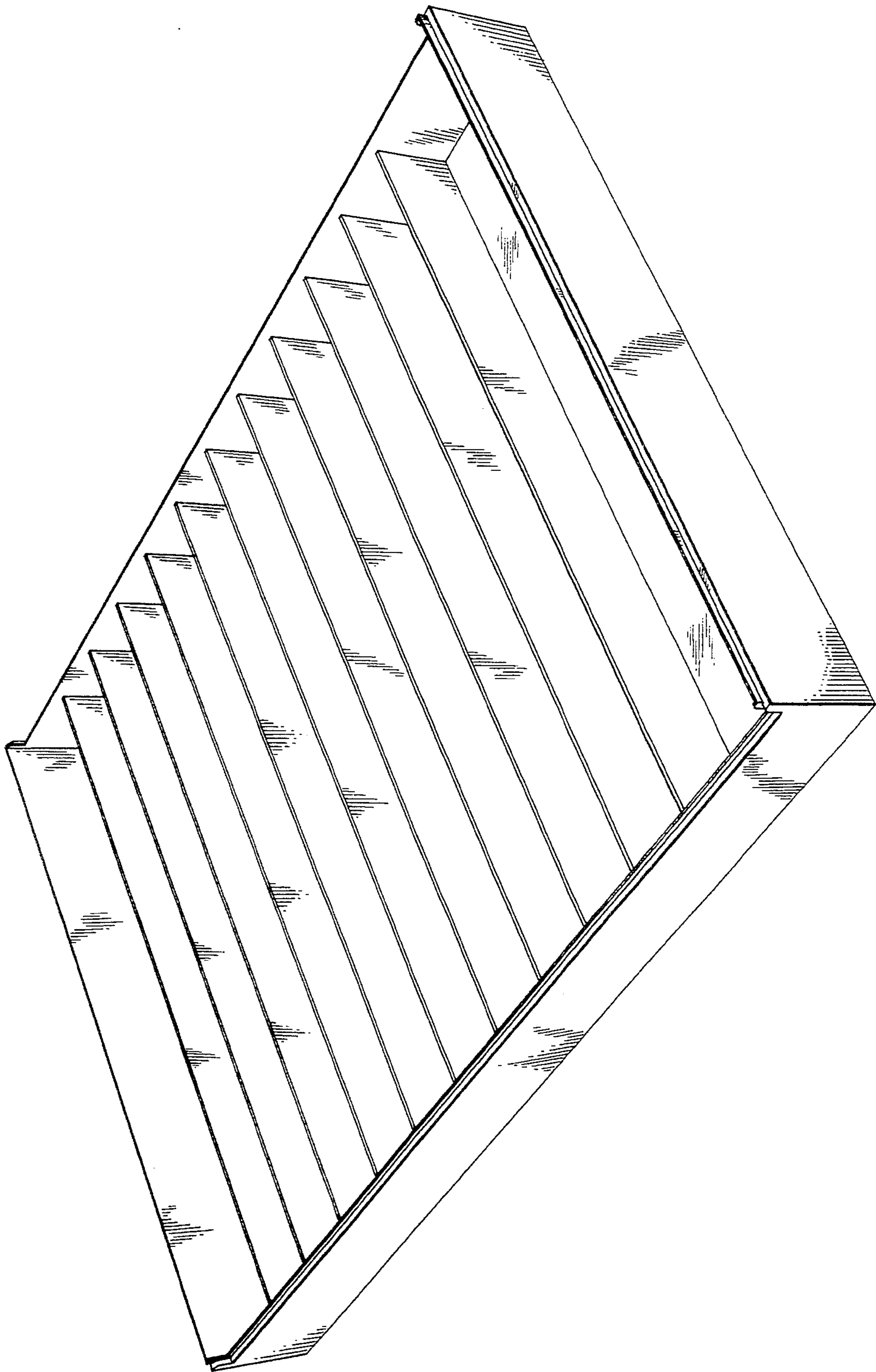


FIG. 6

FIG. 7

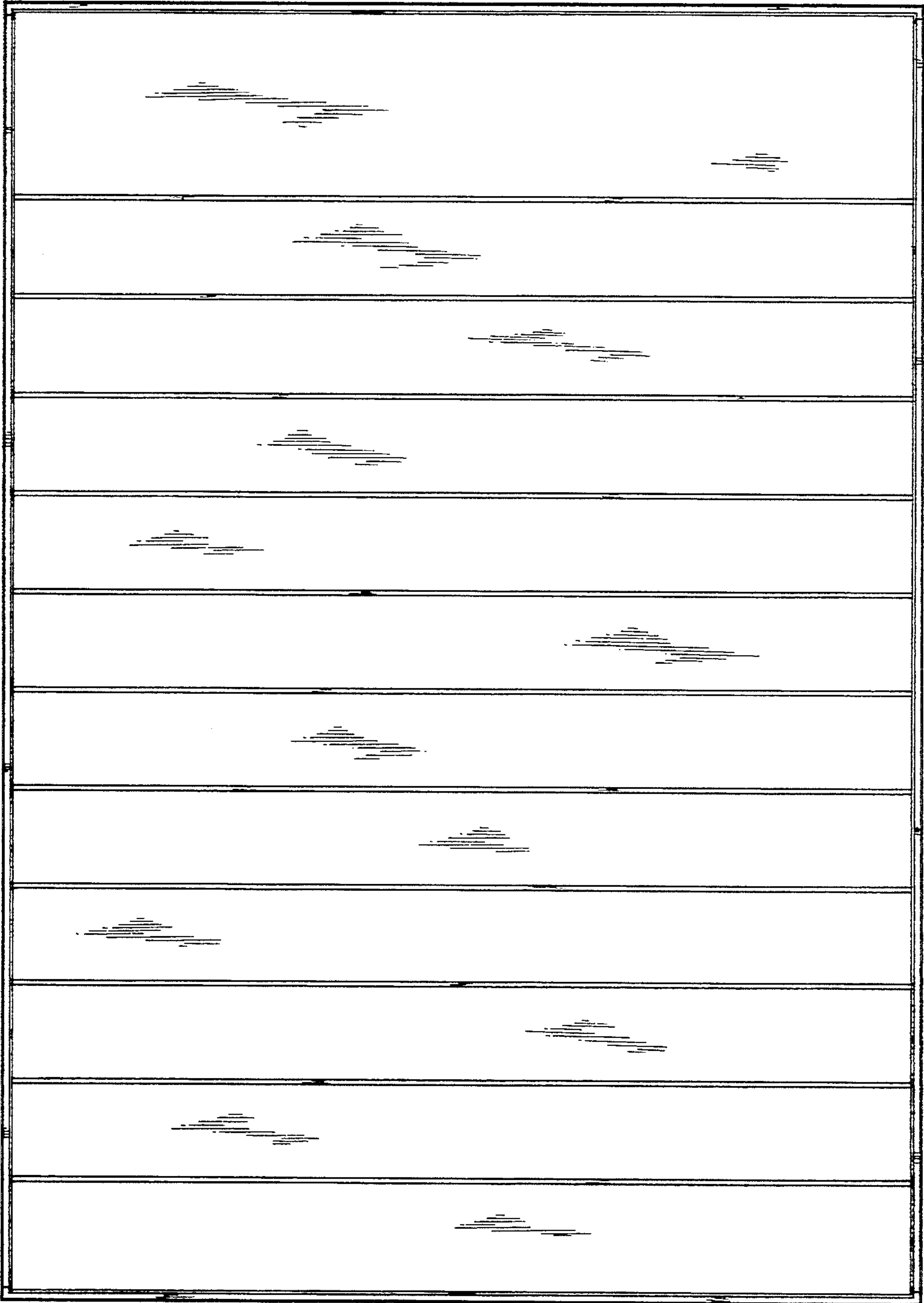


FIG. 8

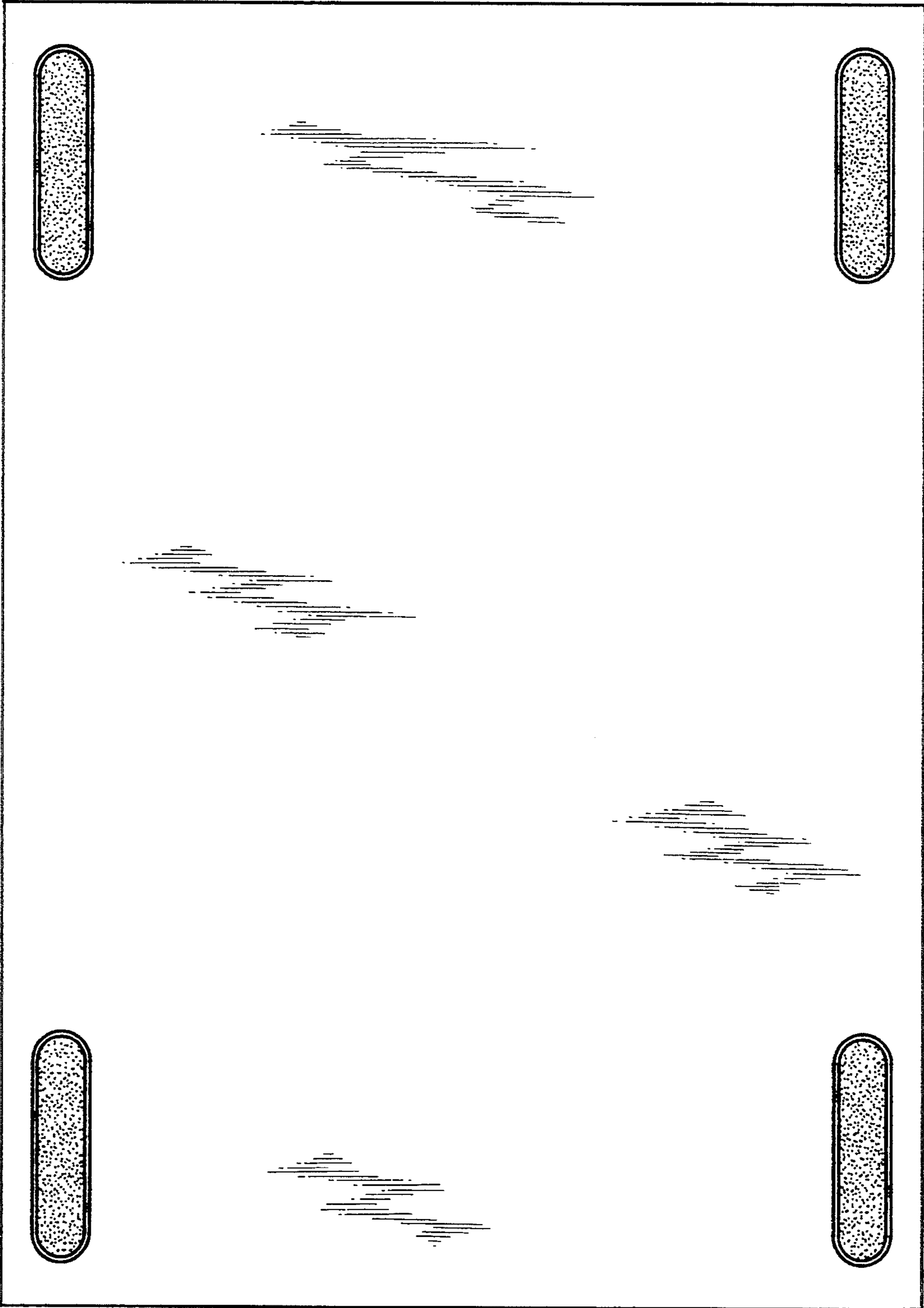


FIG. 9

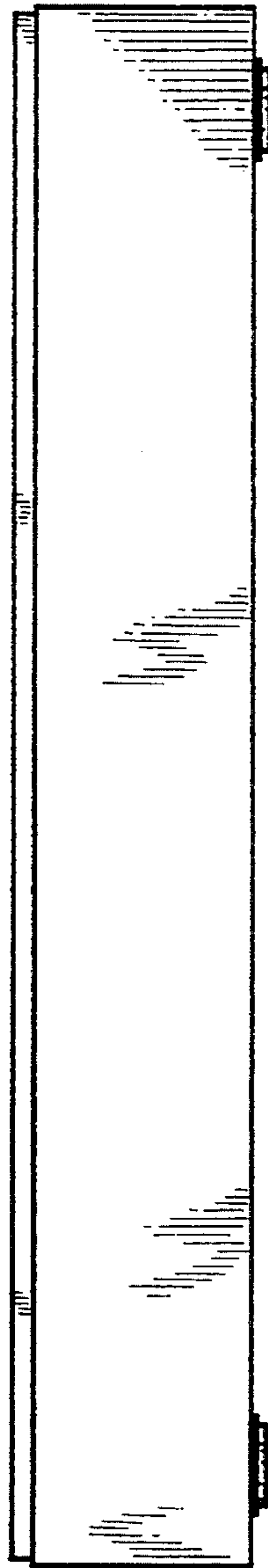


FIG. 10

