



US00D360261S

United States Patent [19]

Swanson et al.

[11] Patent Number: **Des. 360,261**

[45] Date of Patent: **** Jul. 11, 1995**

[54] **MEDICAL SPECULUM**

[76] Inventors: **Larry S. Swanson**, 4924 Stauffer Ave., SE., Grand Rapids, Mich. 49508-5147; **Lawrence J. Burns**, 1556 Pontiac Rd., SE., Grand Rapids, Mich. 49506

[**] Term: **14 Years**

[21] Appl. No.: **9,703**

[22] Filed: **Jun. 18, 1993**

[52] U.S. Cl. **D24/135**

[58] Field of Search D24/135, 137; 128/3, 128/4, 7

4,662,360 5/1987 O'Hara et al. D24/135 X
4,875,468 10/1989 Krauter et al. 128/3
5,135,526 8/1992 Zinnanti et al. 128/3 X

OTHER PUBLICATIONS

Graham-Field Catalog, p. 200, Item #90-3546A ©1993.

Primary Examiner—Louis S. Zarfes
Assistant Examiner—I. Simmons
Attorney, Agent, or Firm—Brooks & Kushman

[57] CLAIM

The ornamental design for a medical speculum, as shown and described.

DESCRIPTION

FIG. 1 is a side elevational view of a medical speculum showing our new design the opposite side elevational view being a mirror image thereto; FIG. 2 is a top plan view thereof; FIG. 3 is a bottom plan view thereof; FIG. 4 is a front elevational view thereof; and, FIG. 5 is a back elevational view thereof.

[56] References Cited

U.S. PATENT DOCUMENTS

D. 208,838	10/1967	St. Amand	D24/112
D. 303,008	8/1989	O'Hara et al.	D24/135
D. 333,702	3/1993	Hufman	D24/135
3,132,645	5/1964	Gasper	128/3
4,206,750	6/1980	Kaivola	.	

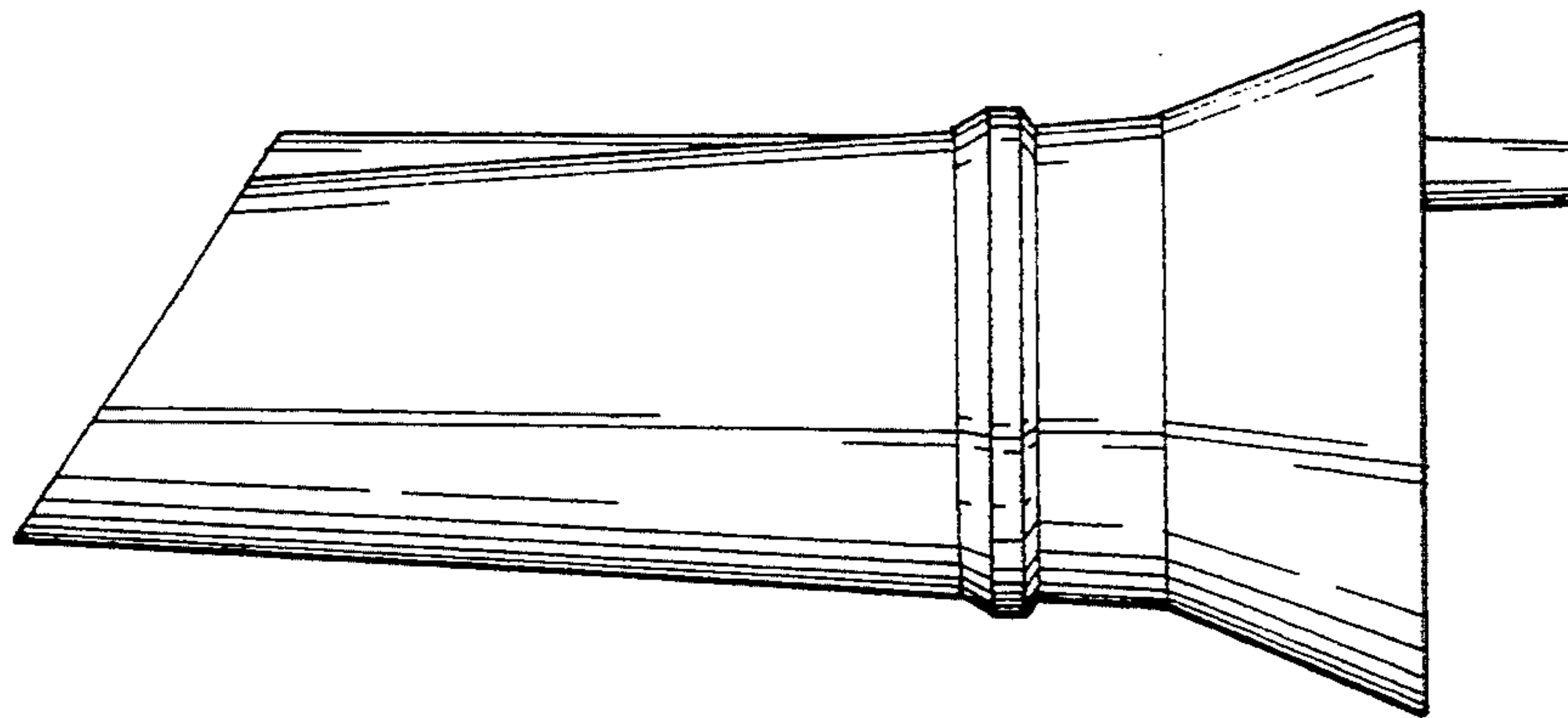


Fig. 1

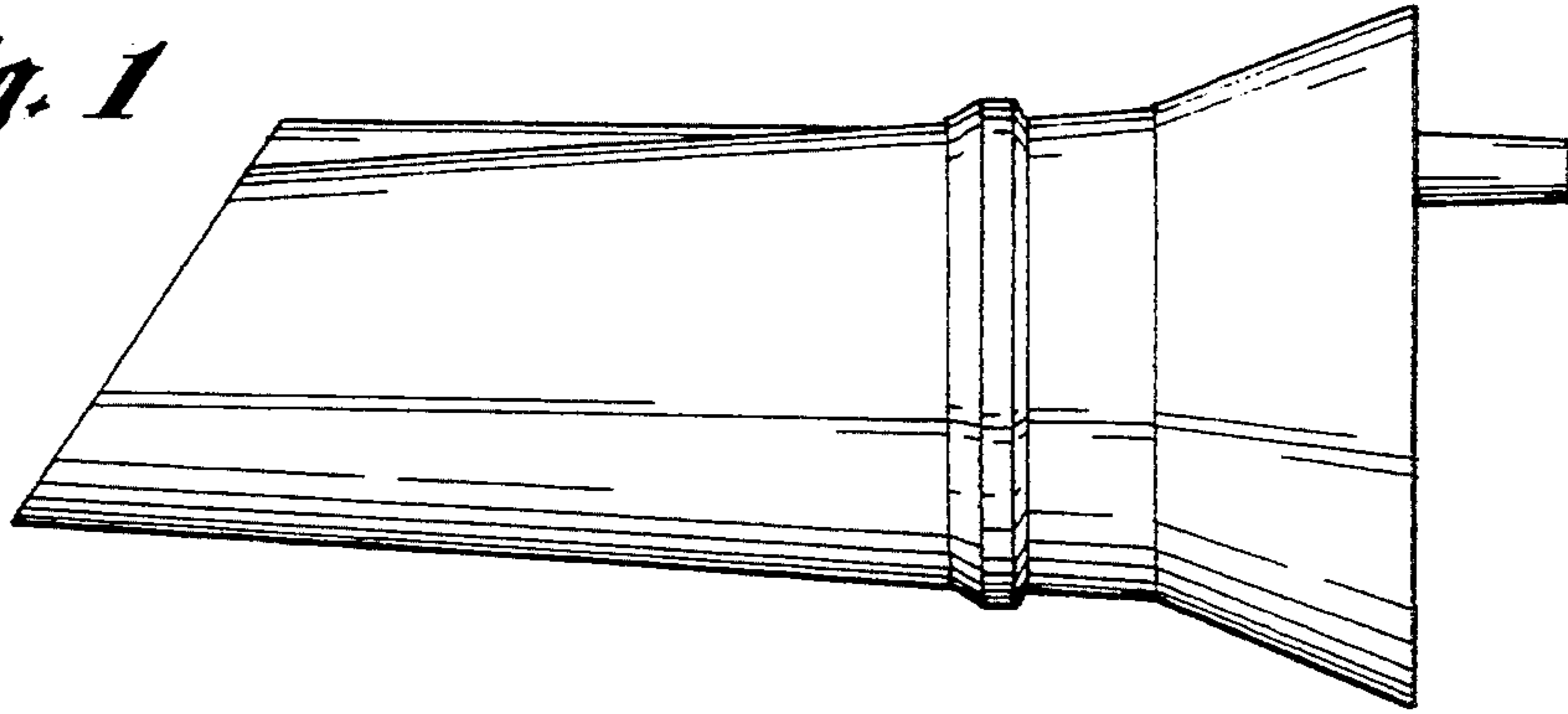


Fig. 2

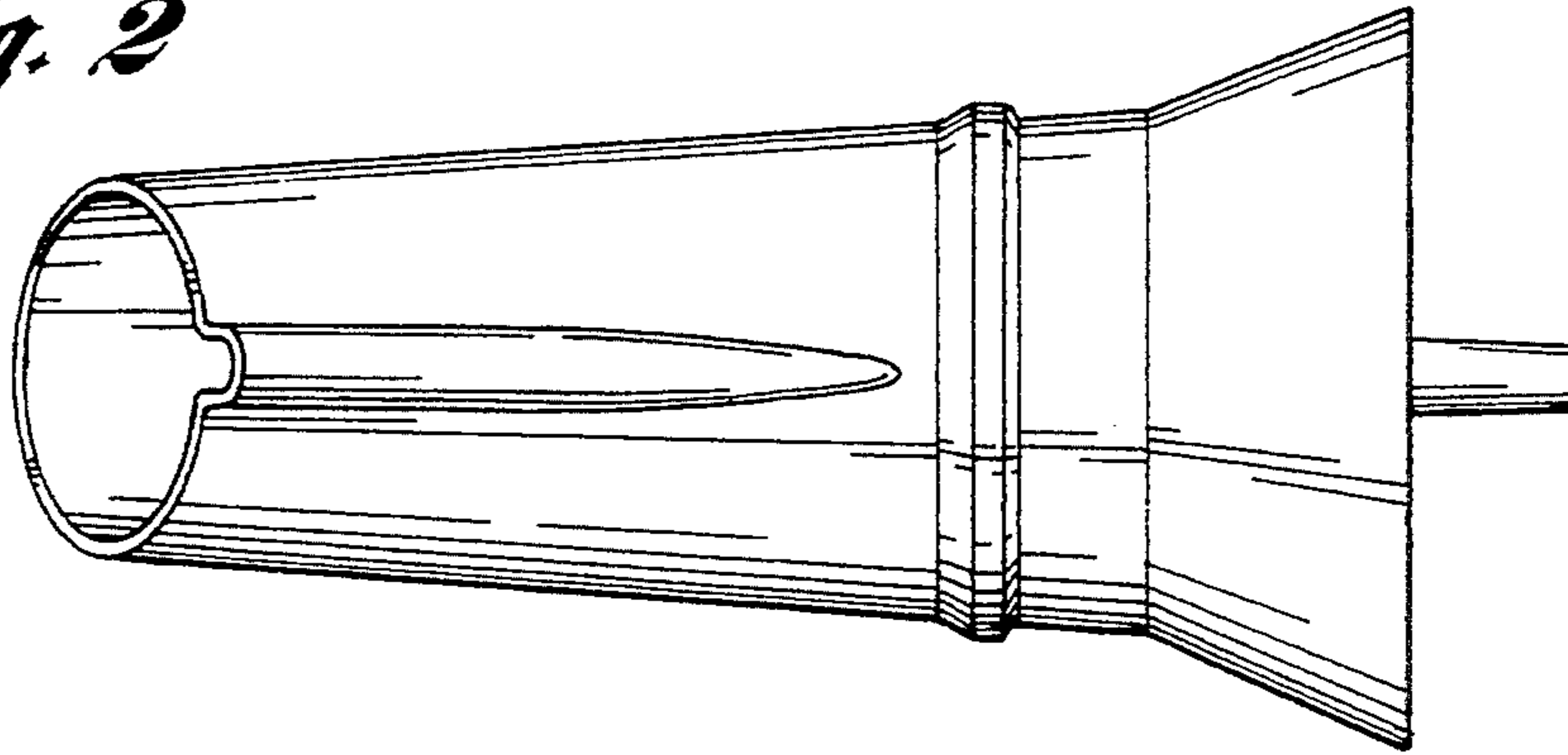


Fig. 3

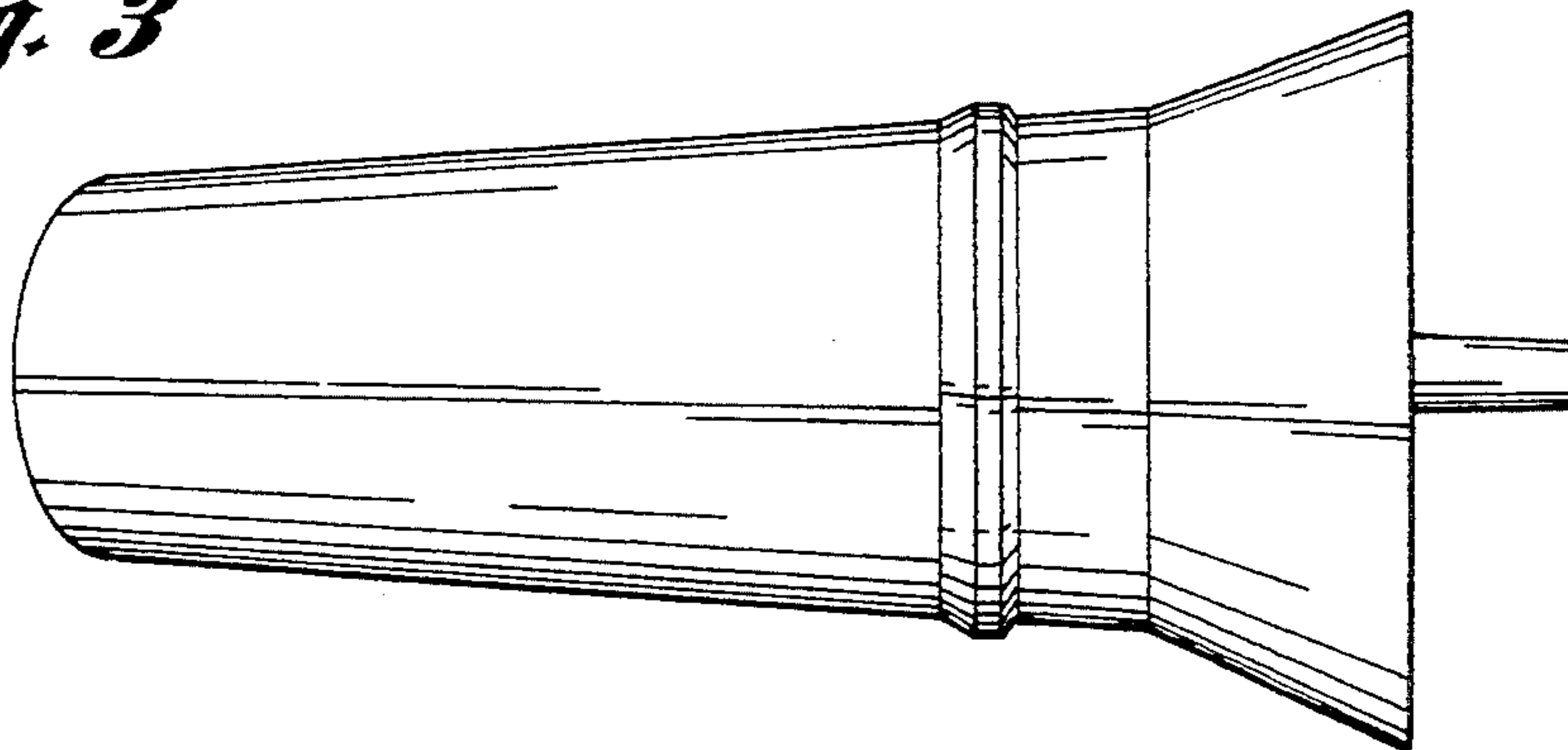


Fig. 4

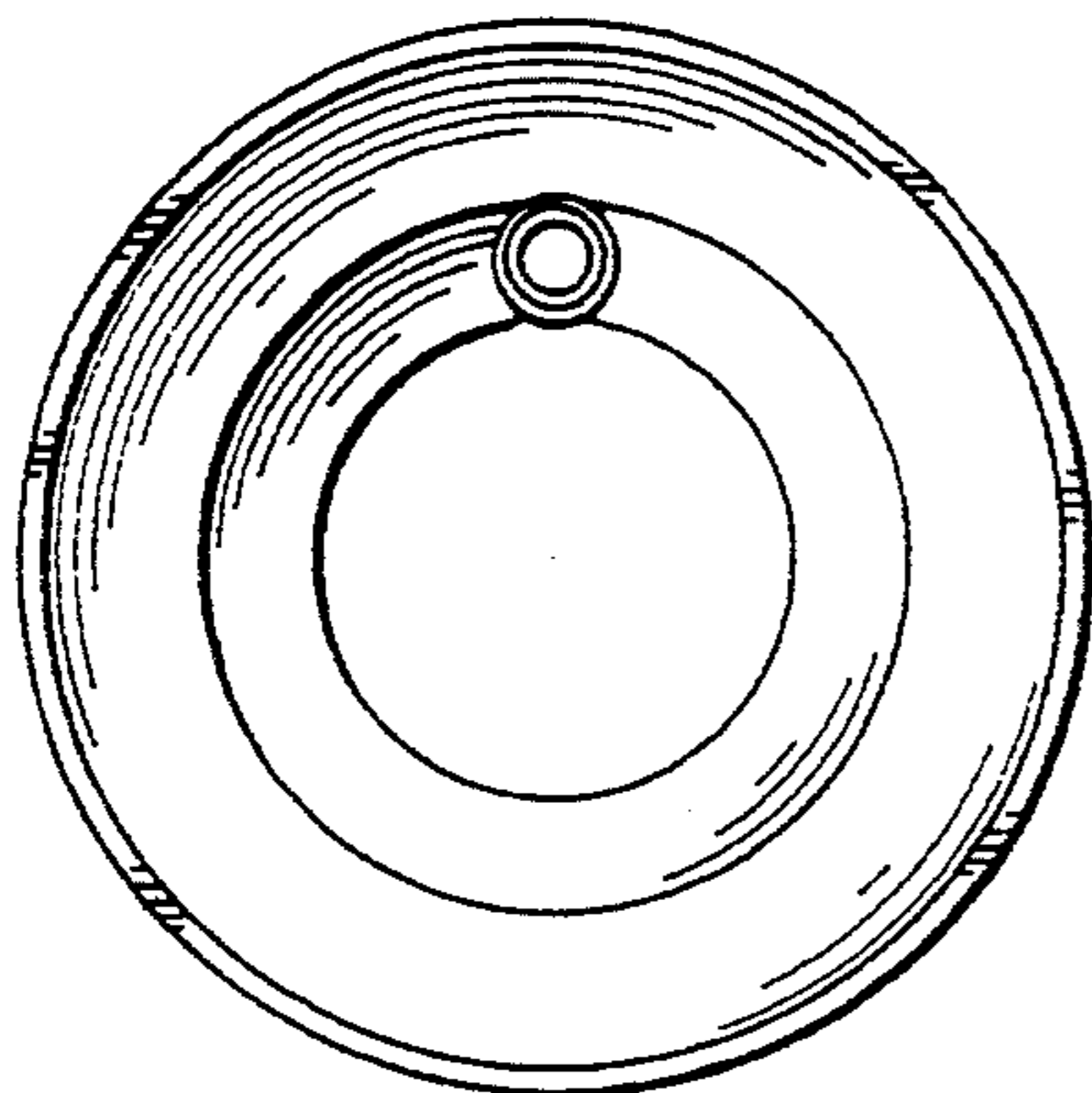


Fig. 5

