



US00D360259S

United States Patent [19]

[11] Patent Number: **Des. 360,259**

Ijiri et al.

[45] Date of Patent: **** Jul. 11, 1995**

[54] **CHEMICAL FEEDING SYRINGE PUMP**

5,034,004	7/1991	Crankshaw	D24/111 X
5,256,157	10/1993	Samiotes et al.	604/151 X
5,295,967	3/1994	Rondel et al.	604/67 X

[75] Inventors: **Tomonori Ijiri, Tokyo; Masahiko Iizuka, Fujinomiya, both of Japan**

FOREIGN PATENT DOCUMENTS

[73] Assignee: **Terumo Kabushiki Kaisha, Tokyo, Japan**

662733	10/1985	Japan .
839825	6/1992	Japan .
839826	6/1992	Japan .
851862	11/1992	Japan .

[**] Term: **14 Years**

[21] Appl. No.: **18,909**

Primary Examiner—A. Hugo Word

Assistant Examiner—I. Simmons

[22] Filed: **Feb. 17, 1994**

Attorney, Agent, or Firm—Frishauf, Holtz, Goodman & Woodward

[30] Foreign Application Priority Data

Aug. 18, 1993 [JP] Japan 5-24962

[52] U.S. Cl. **D24/111**

[58] Field of Search D24/111; 604/154, 155, 604/151, 67, 250, 253; 128/DIG. 12

[57] CLAIM

The ornamental design for a chemical feeding syringe pump, as shown and described.

[56] References Cited

U.S. PATENT DOCUMENTS

D. 265,243	6/1982	Manso et al. .
D. 325,255	4/1992	Beache et al. .
D. 326,152	5/1992	Ratter .
D. 326,320	5/1992	Ratter .
D. 327,123	6/1992	Stracener et al. .
4,767,406	8/1988	Wadham et al. 604/155
4,978,335	12/1990	Arthur, III 604/155 X

DESCRIPTION

FIG. 1 is a front, top, right side perspective view of a chemical feeding syringe pump showing our new design;

FIG. 2 is a front elevational view thereof;

FIG. 3 is a rear elevational view thereof;

FIG. 4 is a top plan view thereof;

FIG. 5 is a bottom plan view thereof;

FIG. 6 is a left side elevational view thereof; and,

FIG. 7 is a right side elevational view thereof.

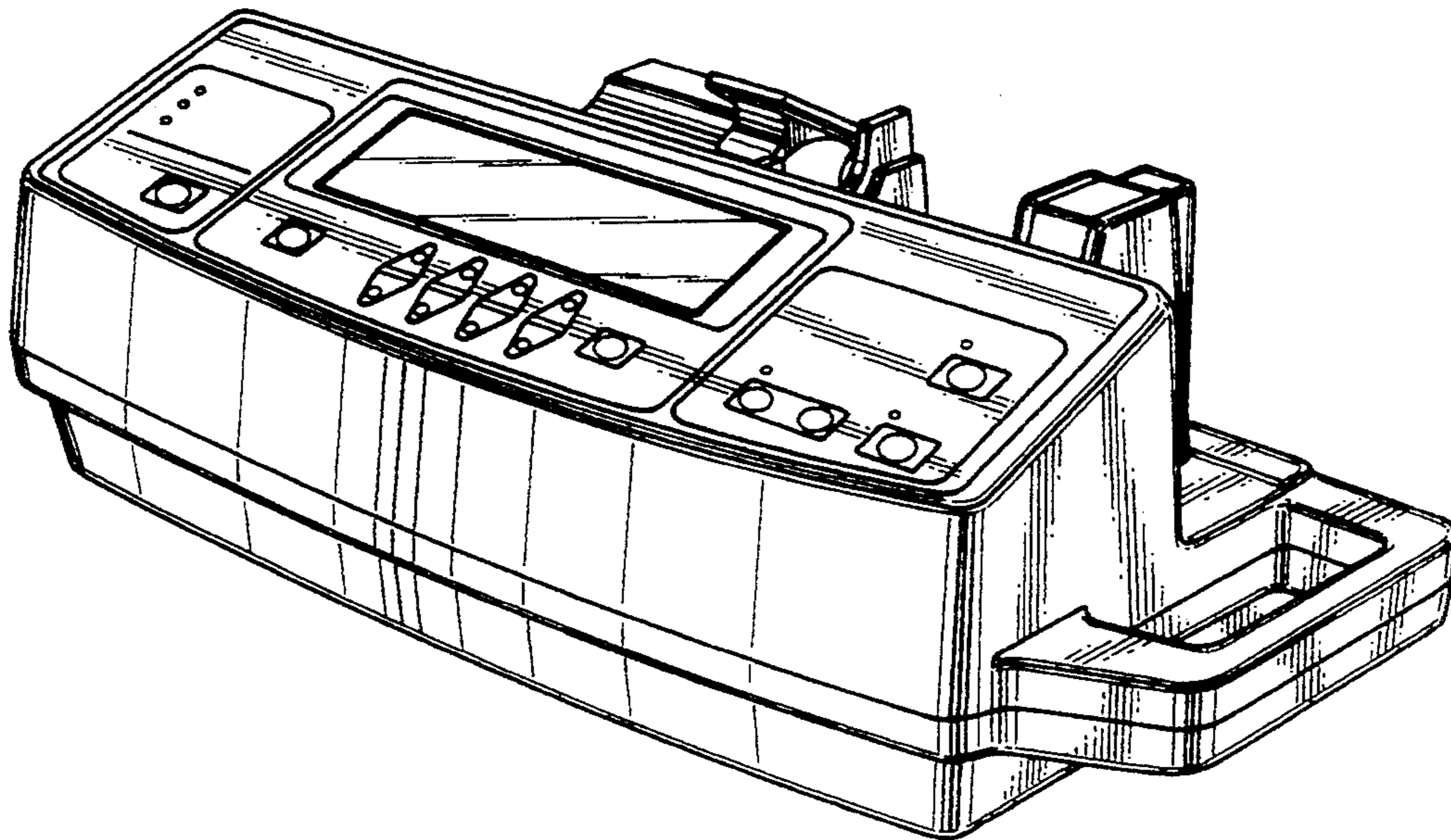


FIG. 1

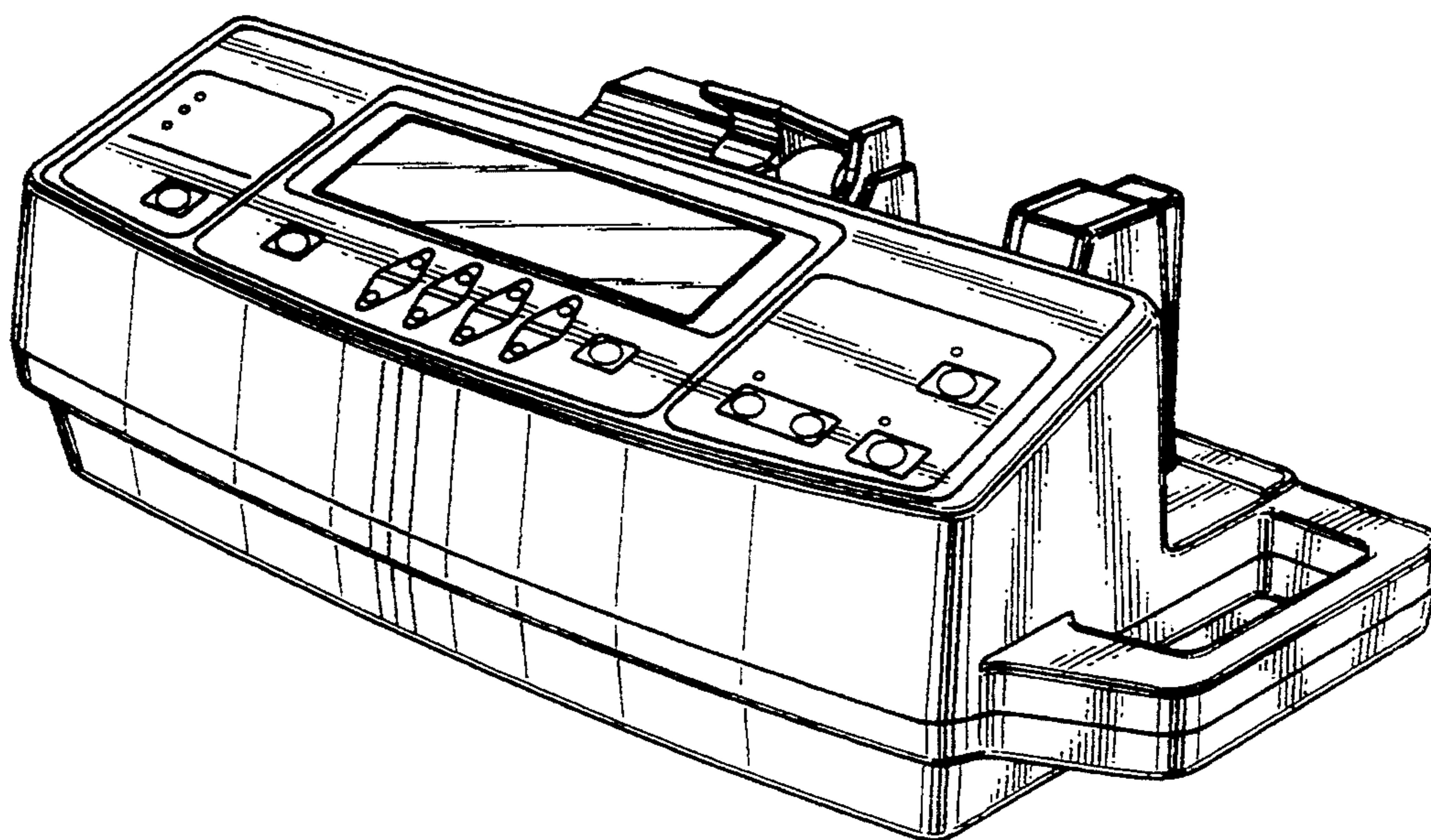


FIG. 2

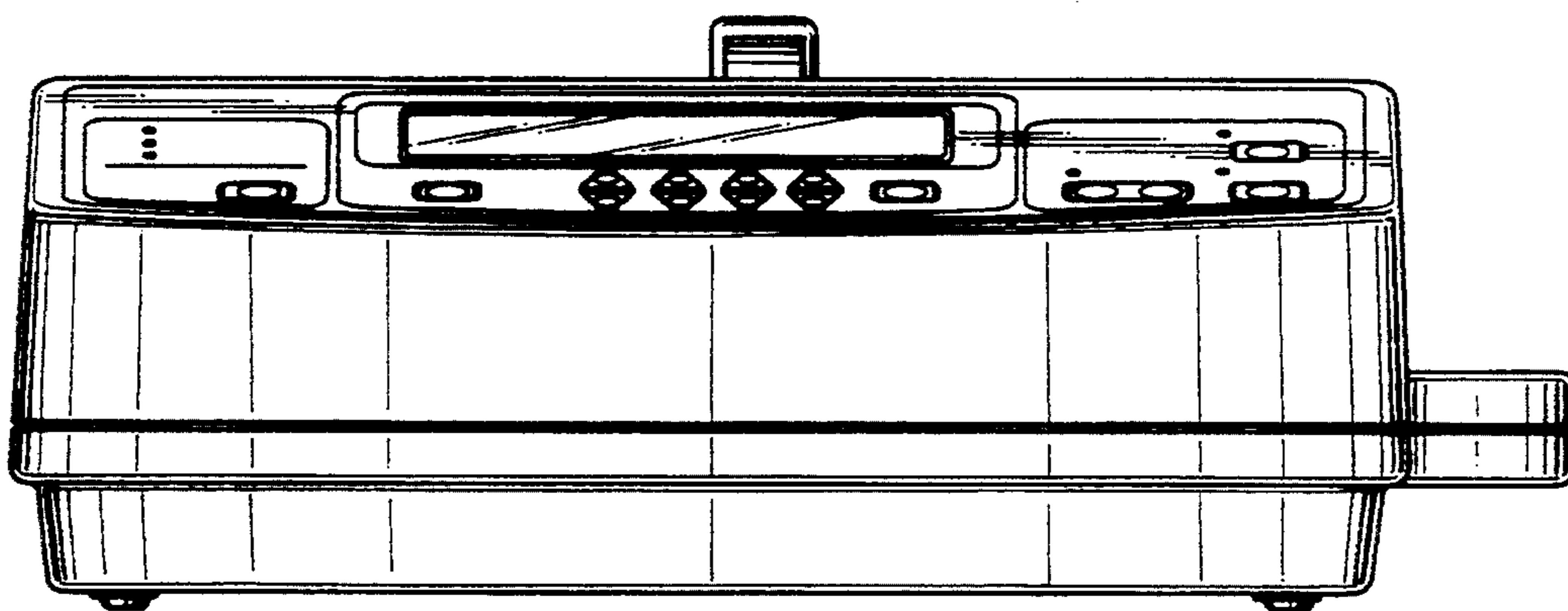


FIG.3

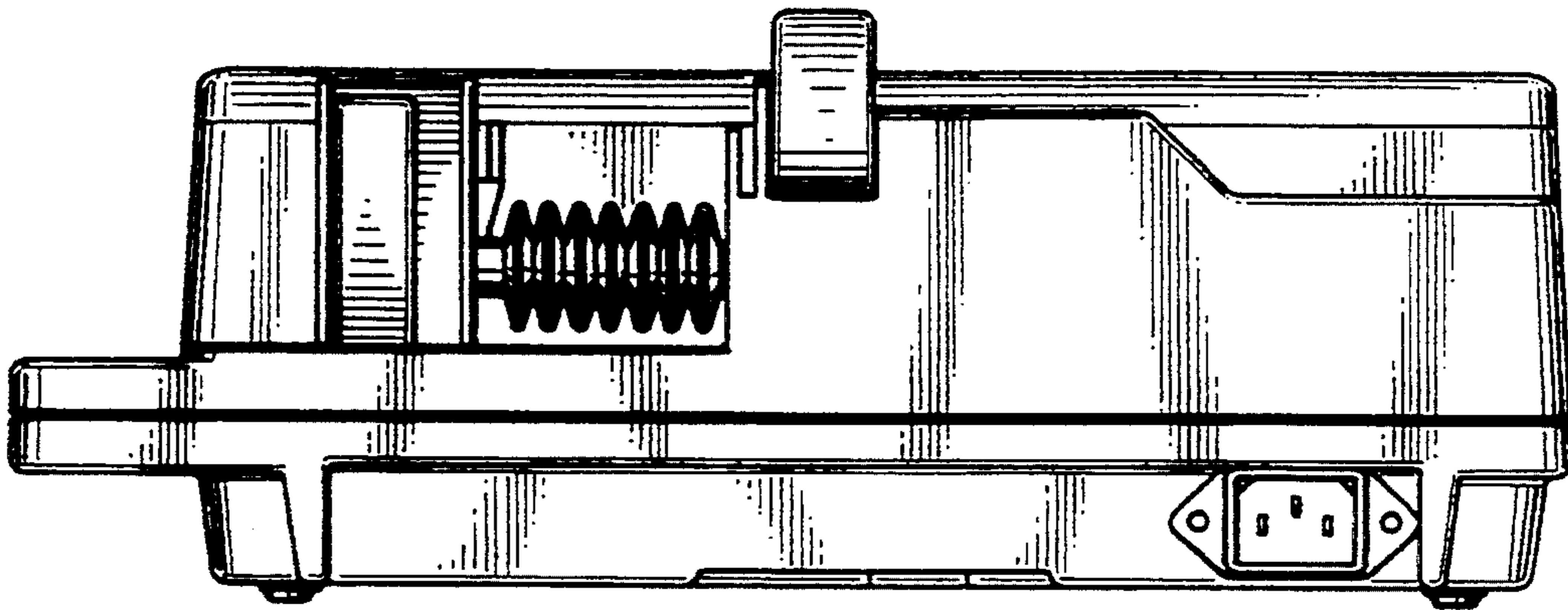


FIG.4

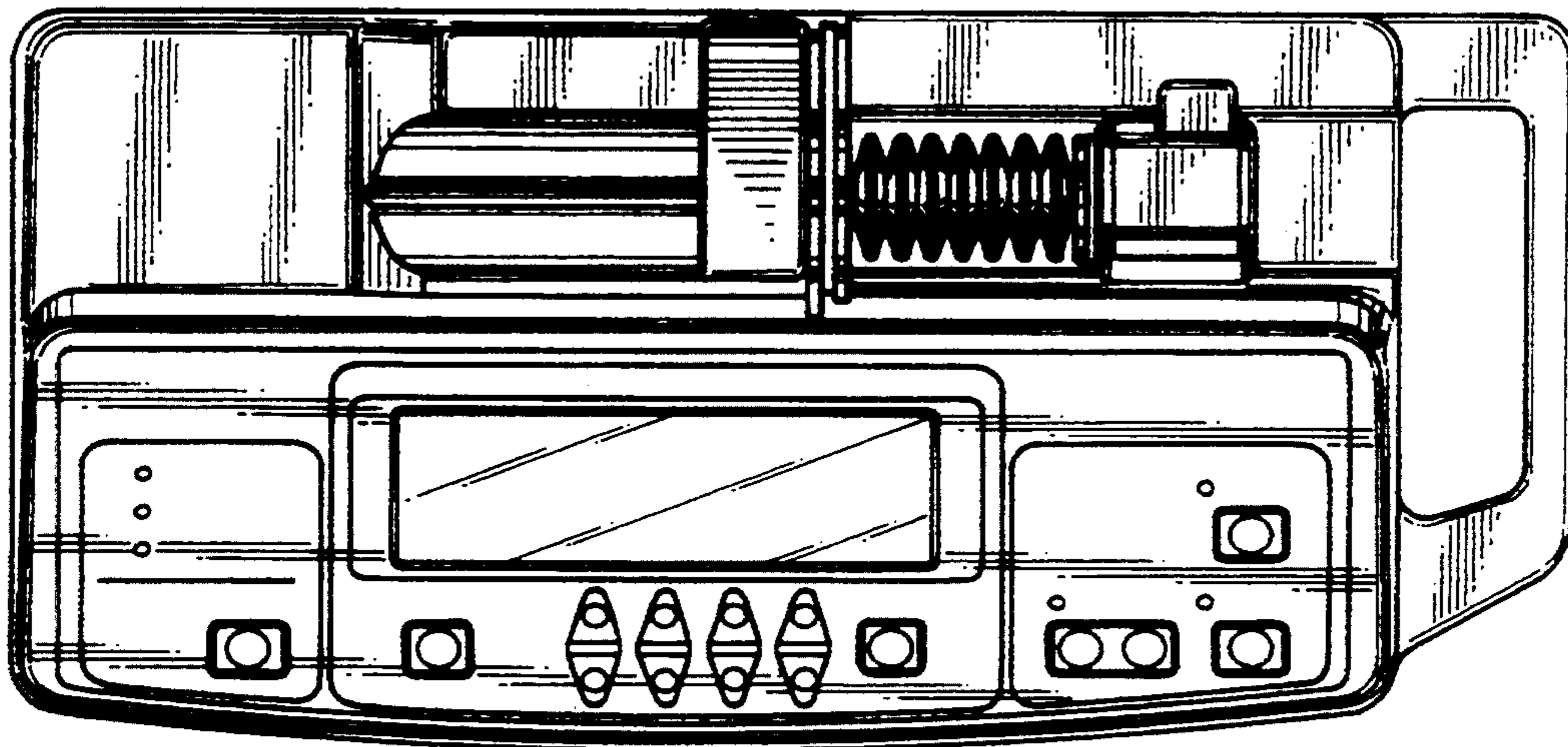


FIG.5

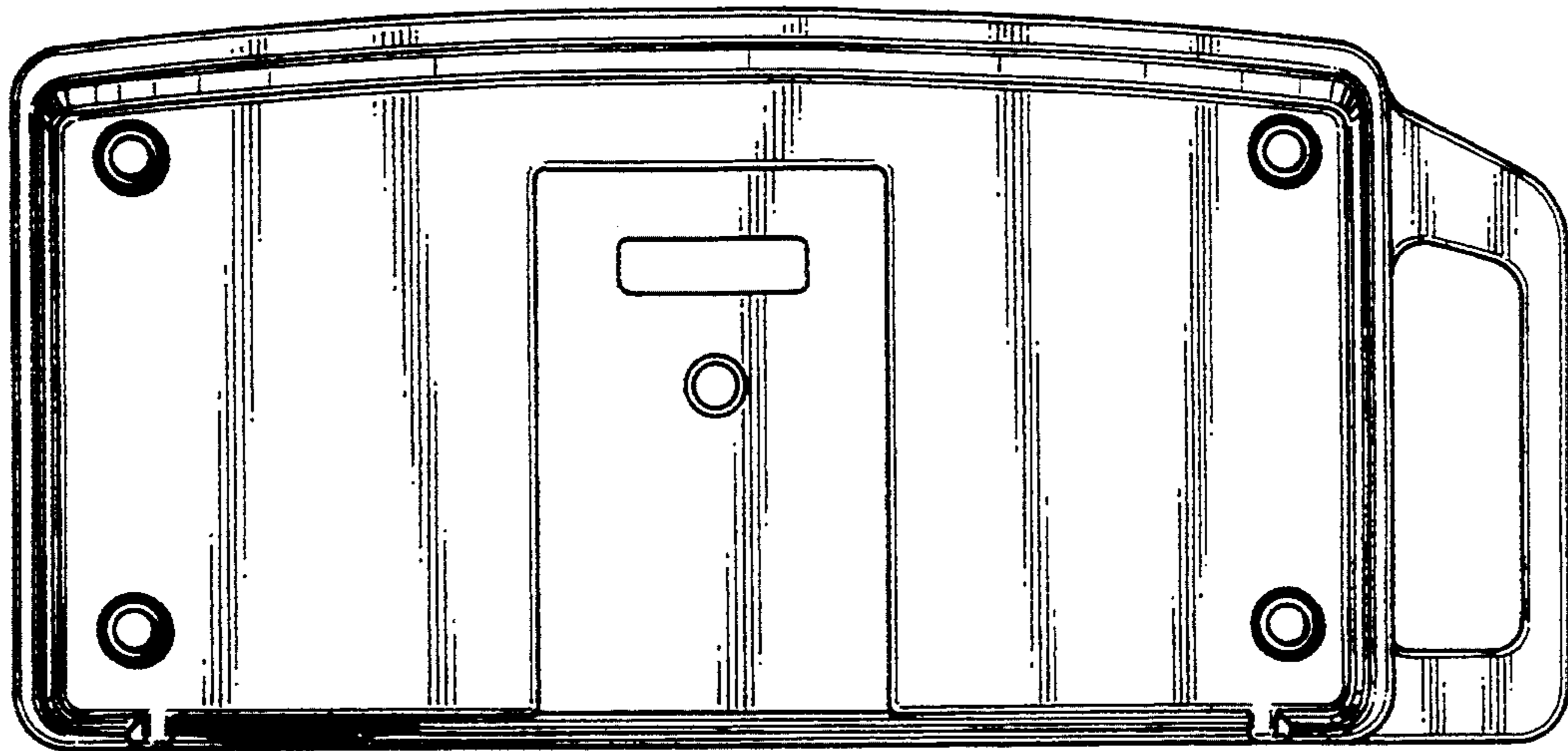


FIG.6

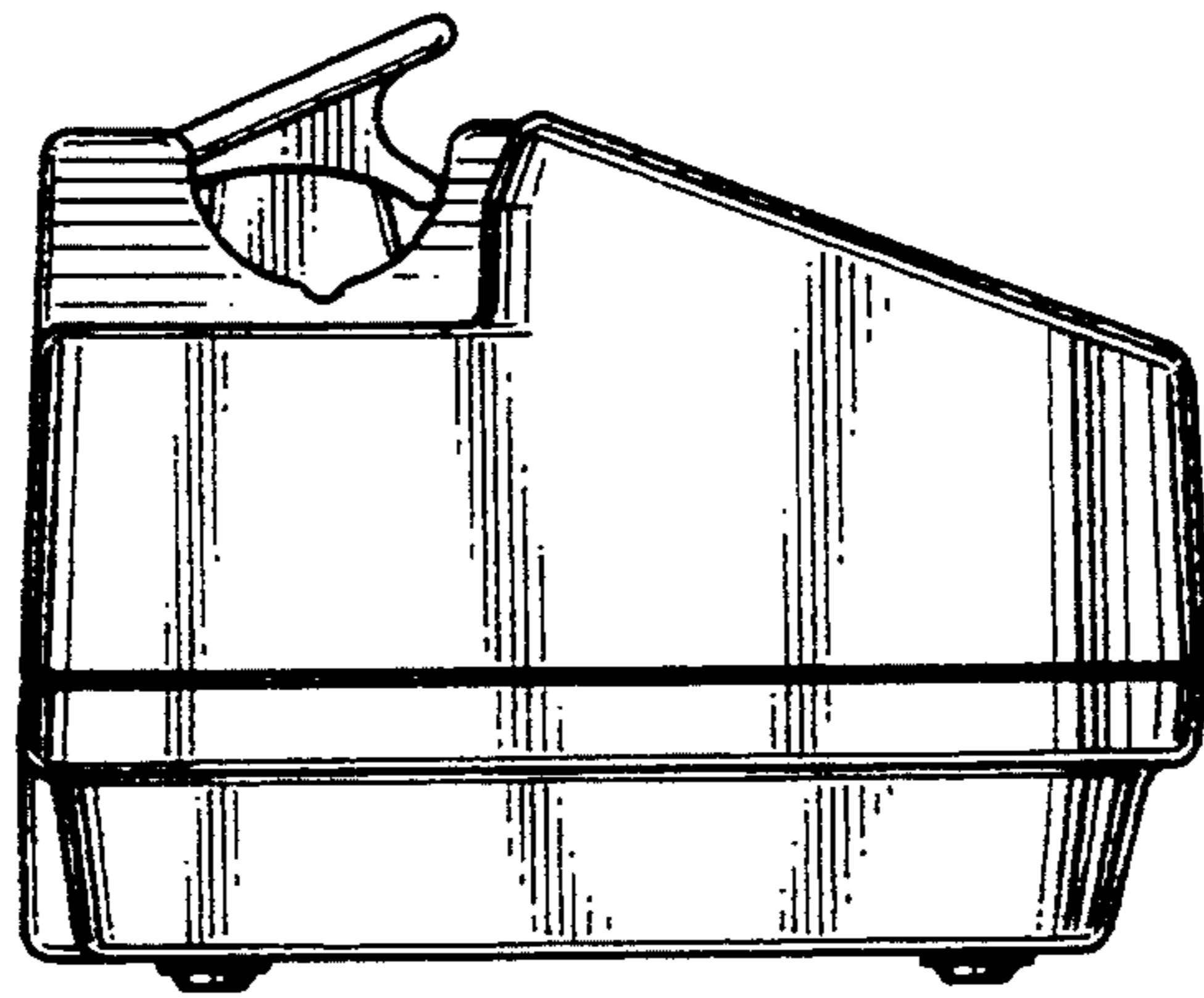


FIG.7

