



US00D360258S

United States Patent [19]

Shellenberger

[11] Patent Number: **Des. 360,258**

[45] Date of Patent: **** Jul. 11, 1995**

[54] **HEAT EXCHANGER FOR FUEL FIRED FURNACES**

5,042,453 8/1991 Shellenberger 126/116 R
5,178,124 1/1993 Lu et al. 126/110 R

[75] Inventor: **Timothy J. Shellenberger**, Fort Smith, Ark.

Primary Examiner—Lisa P. Lichtenstein
Attorney, Agent, or Firm—Konneker Bush Hitt & Chwang

[73] Assignee: **Rheem Manufacturing Company**, New York, N.Y.

[57] CLAIM

[**] Term: **14 Years**

The ornamental design for a heat exchanger for fuel fired furnaces, as shown and described.

[21] Appl. No.: **16,201**

DESCRIPTION

[22] Filed: **Dec. 10, 1993**

[52] U.S. Cl. **D23/386; D23/329**

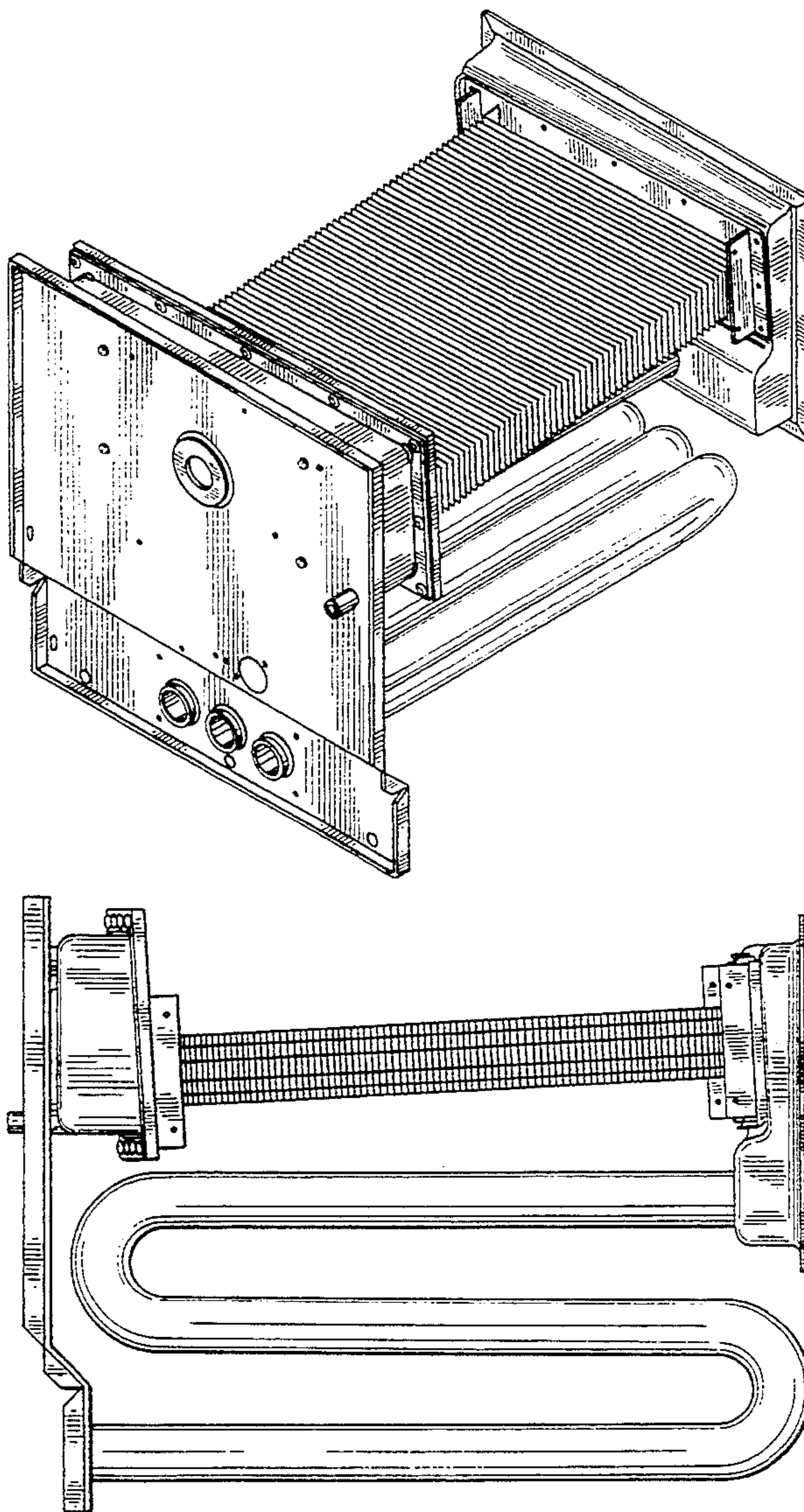
[58] Field of Search **D23/386; 126/110 R, 126/116 R, 99 R**

FIG. 1 is a front perspective view of the heat exchanger;
FIG. 2 is a right side elevational view thereof, the left side being a mirror image of that shown;
FIG. 3 is a rear end elevational view thereof;
FIG. 4 is a front end elevational view thereof;
FIG. 5 is a top plan view thereof; and,
FIG. 6 is a bottom plan view thereof.

[56] References Cited

U.S. PATENT DOCUMENTS

4,164,210 8/1979 Hollowell 126/110 R



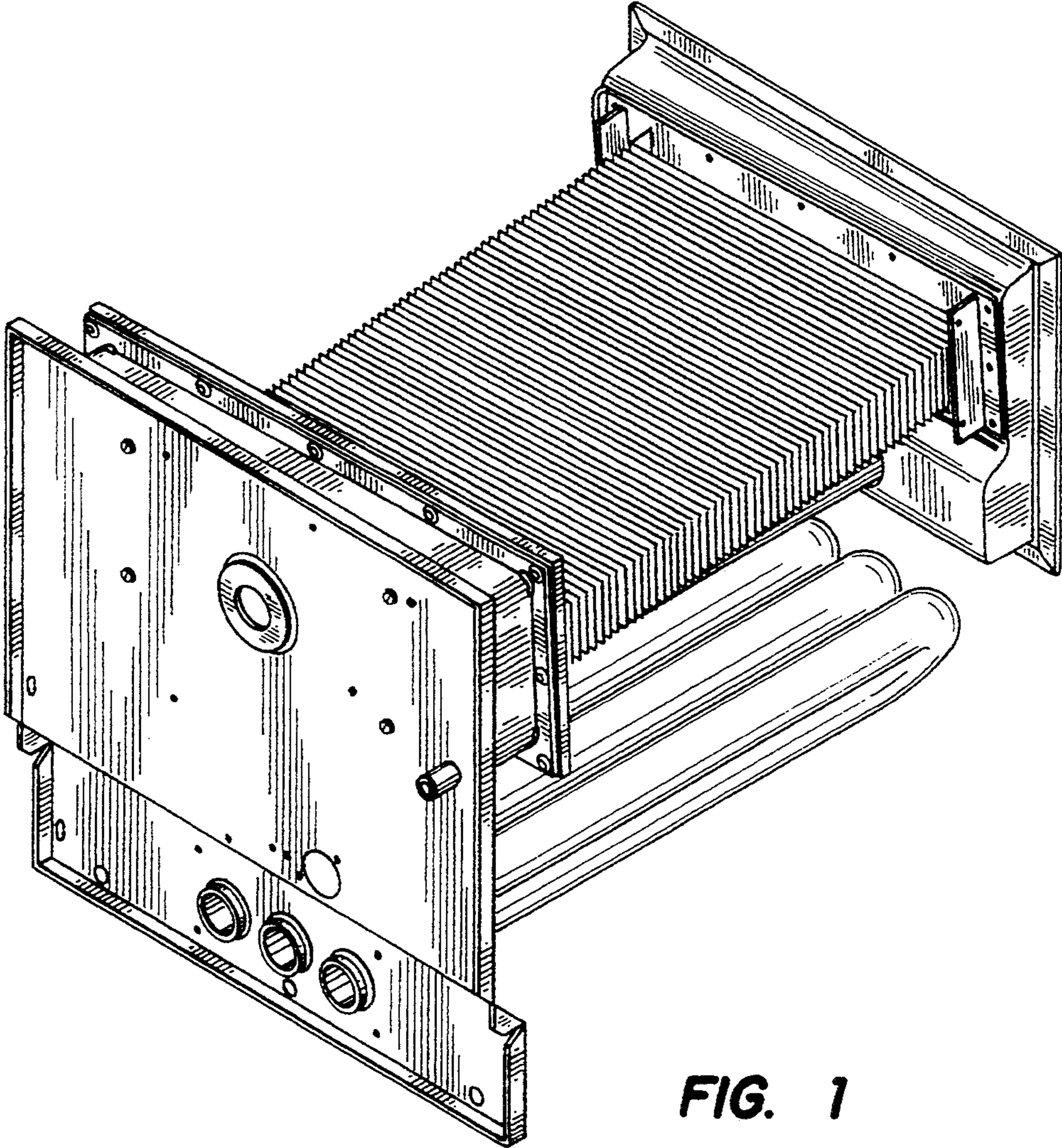


FIG. 1

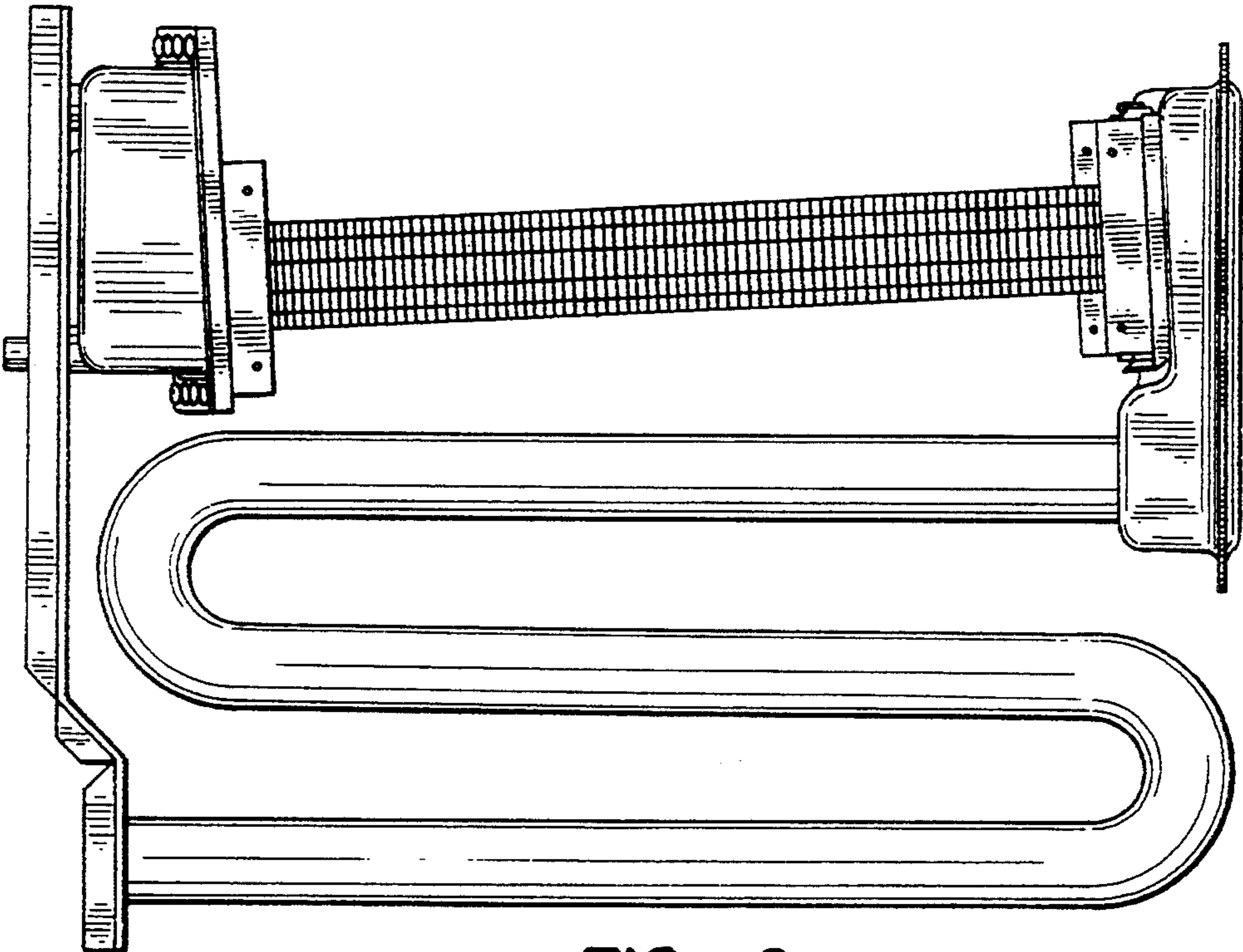


FIG. 2

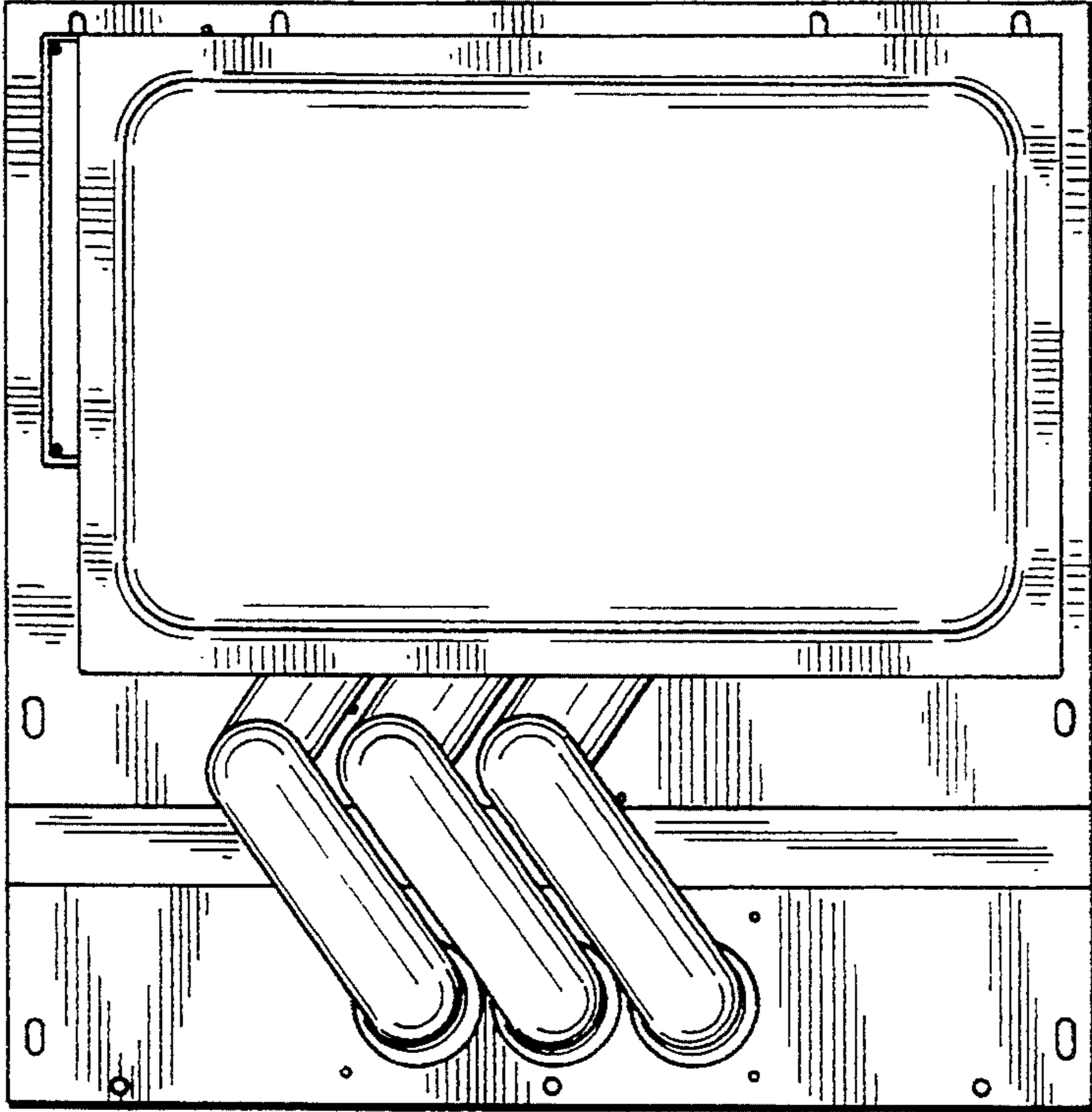


FIG. 3

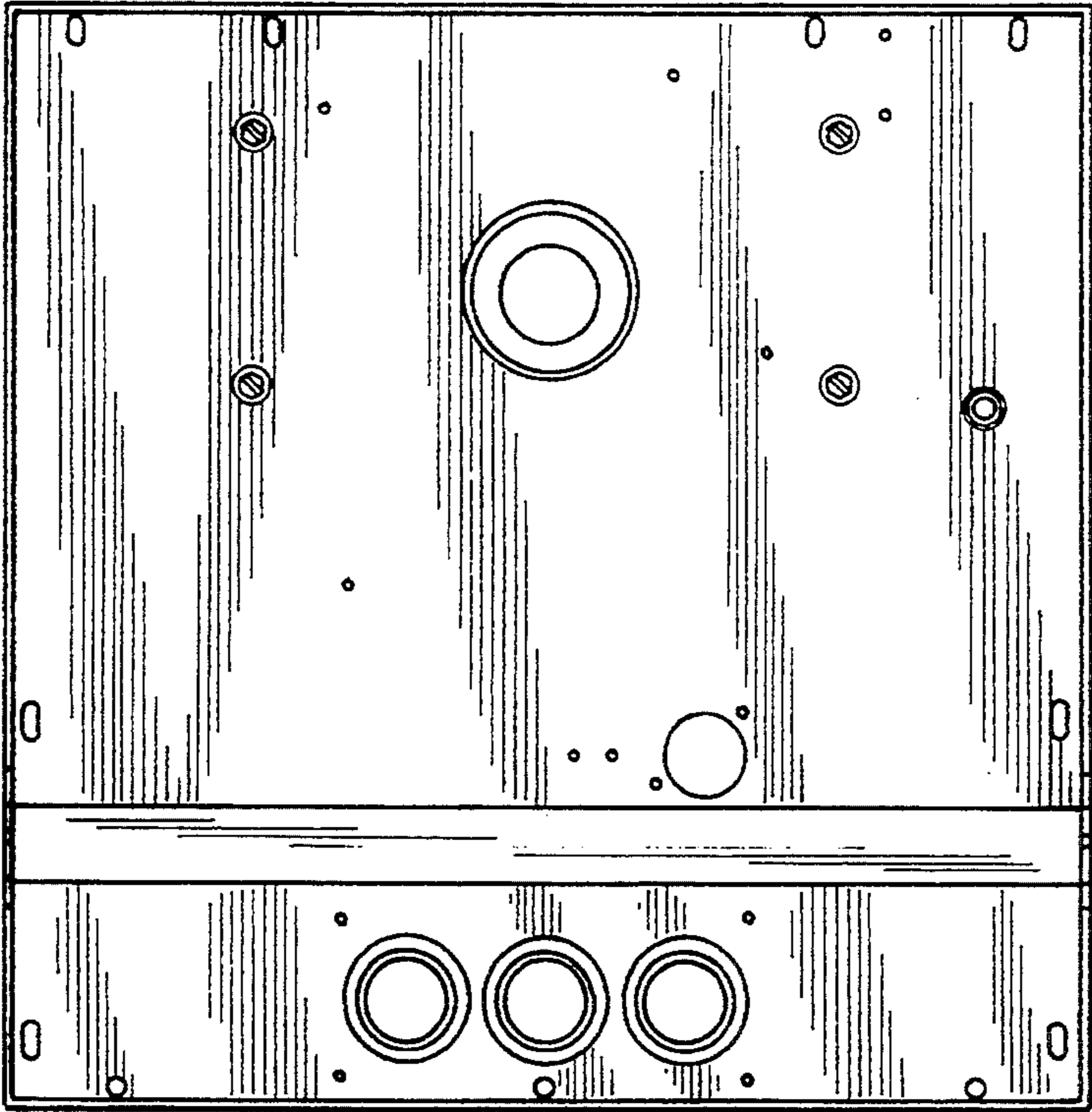


FIG. 4

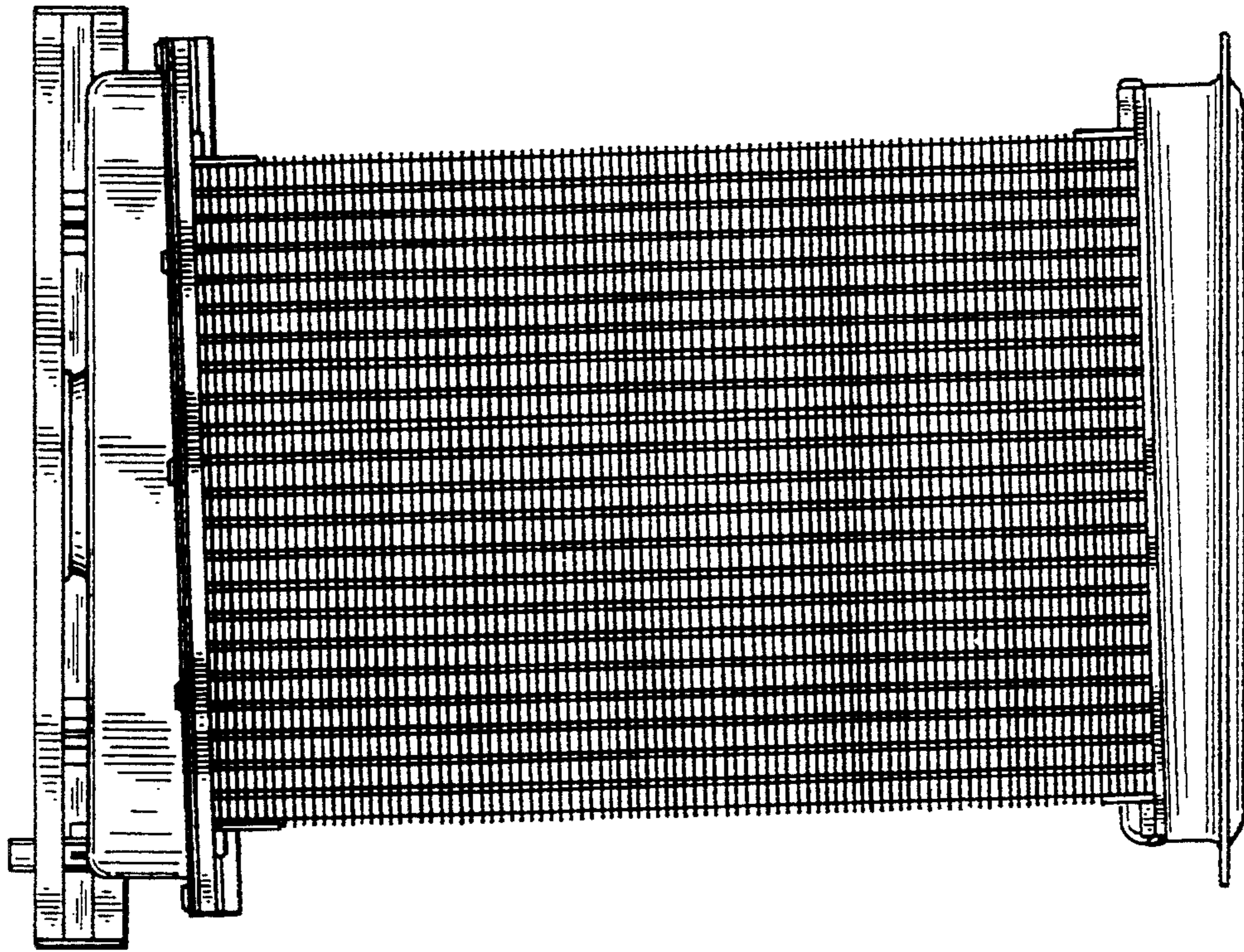


FIG. 5

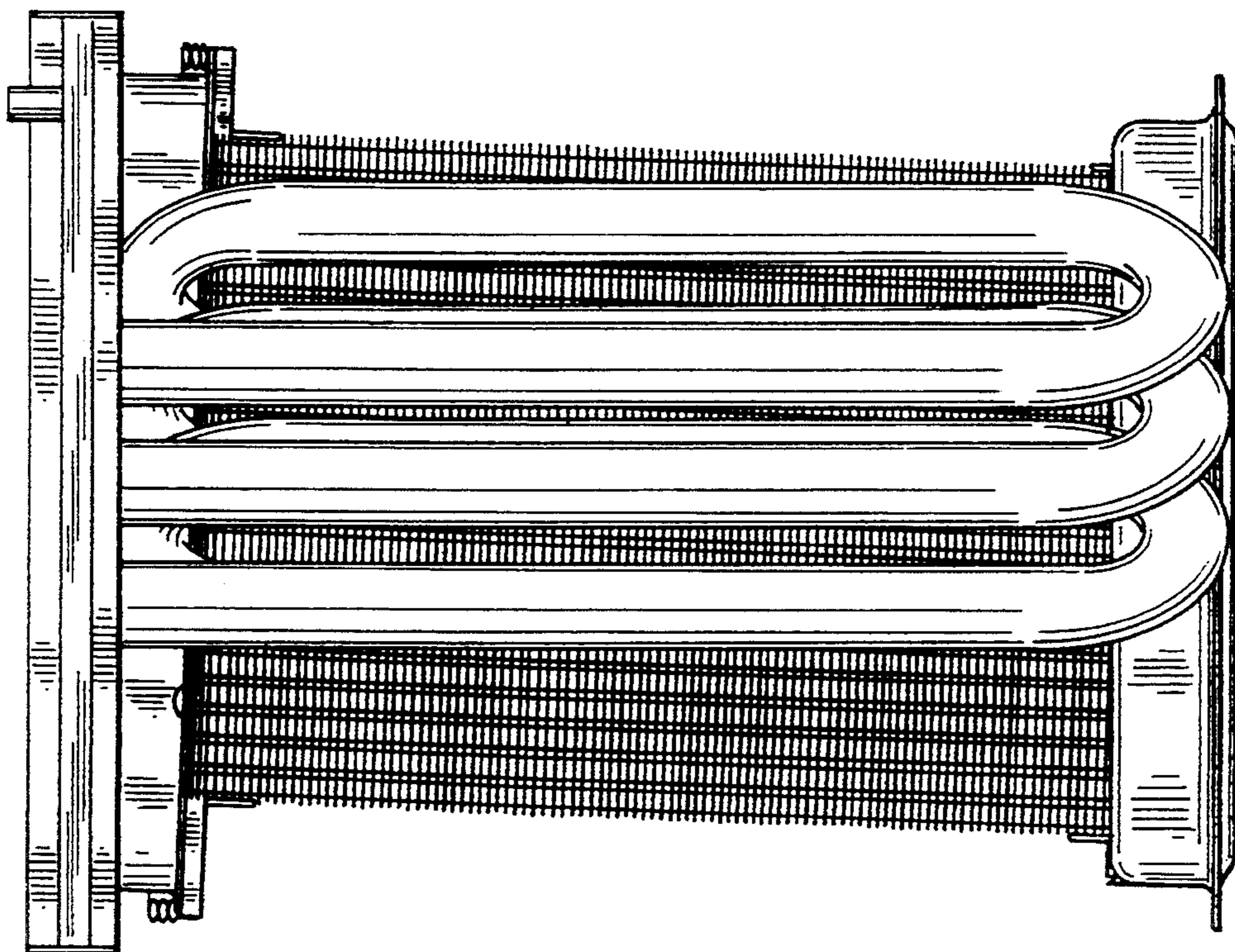


FIG. 6