



US00D360257S

# United States Patent [19]

[11] Patent Number: **Des. 360,257**

Hirschfield

[45] Date of Patent: **\*\* Jul. 11, 1995**

[54] **COMBINED TOILET SEAT AND COVER**

2,659,091 11/1953 Boone ..... 4/242.1  
3,601,822 7/1969 Weiss ..... 4/234  
4,407,024 10/1983 Schneider .

[76] Inventor: **Bruce M. Hirschfield**, 4011  
Windward Dr., Tega Cay, S.C.  
29715

*Primary Examiner*—A. Hugo Word  
*Assistant Examiner*—Eric Watterson  
*Attorney, Agent, or Firm*—Bell, Seltzer, Park & Gibson

[\*\*] Term: **14 Years**

[57] **CLAIM**

[21] Appl. No.: **14,345**

The ornamental design for a combined toilet seat cover, as shown and described.

[22] Filed: **Oct. 19, 1993**

[52] U.S. Cl. .... **D23/311**

[58] Field of Search ..... D23/311, 312; 4/234,  
4/236, 242.1, 252.1, 253, 217

**DESCRIPTION**

[56] **References Cited**

**U.S. PATENT DOCUMENTS**

- D. 154,904 8/1949 Chalfin et al. .... D23/311
- D. 231,664 5/1974 Day .
- D. 252,946 9/1979 Johnson .
- D. 292,019 9/1987 Hall .
- D. 322,847 12/1991 Haletsky et al. .... D23/311
- D. 333,345 2/1993 Strahan .
- 2,358,265 9/1944 Thomas .

FIG. 1 is a side perspective view of a combined toilet seat and cover incorporating this new design;

FIG. 2 is a front elevation view;

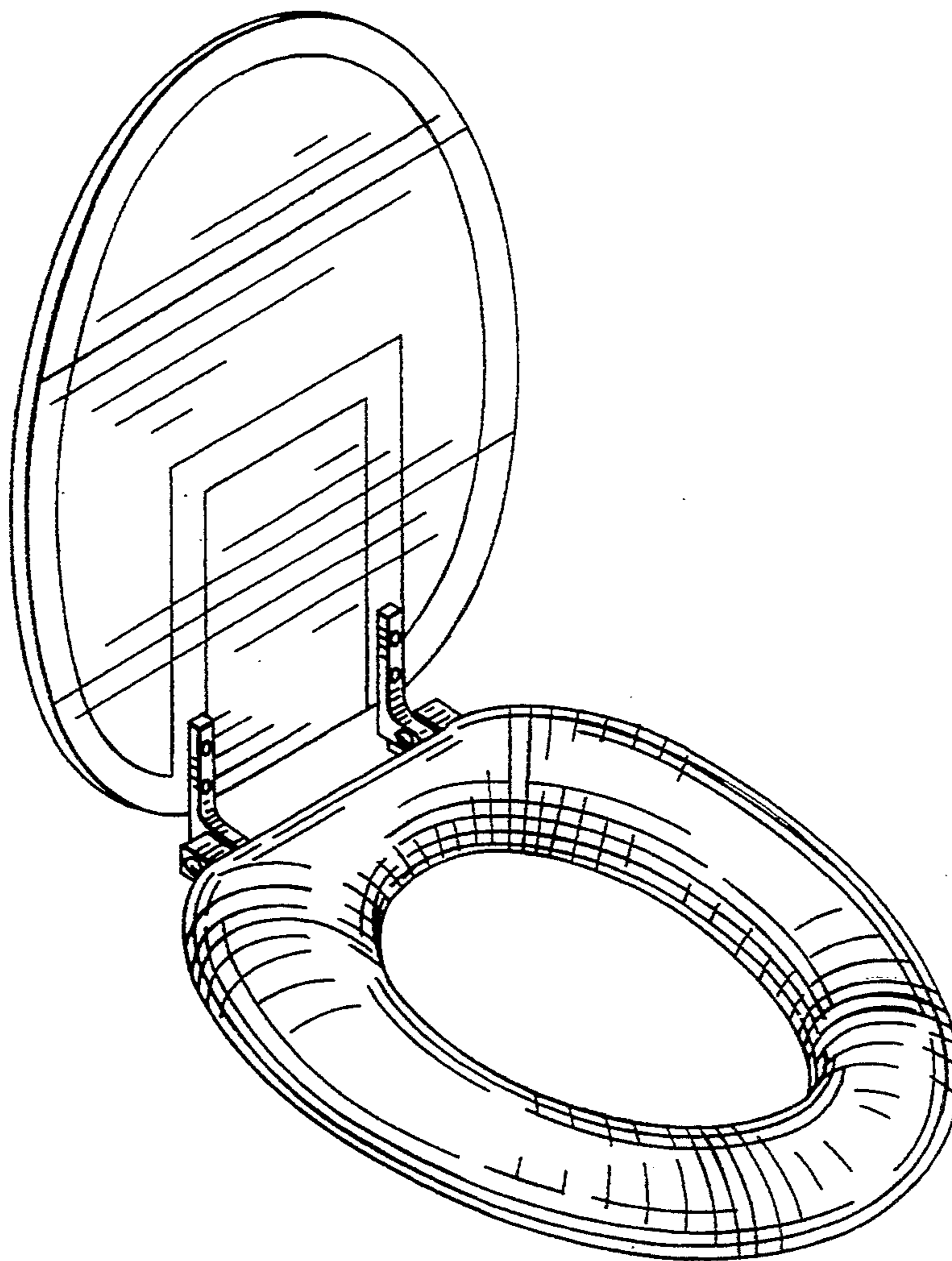
FIG. 3 is a rear elevation view;

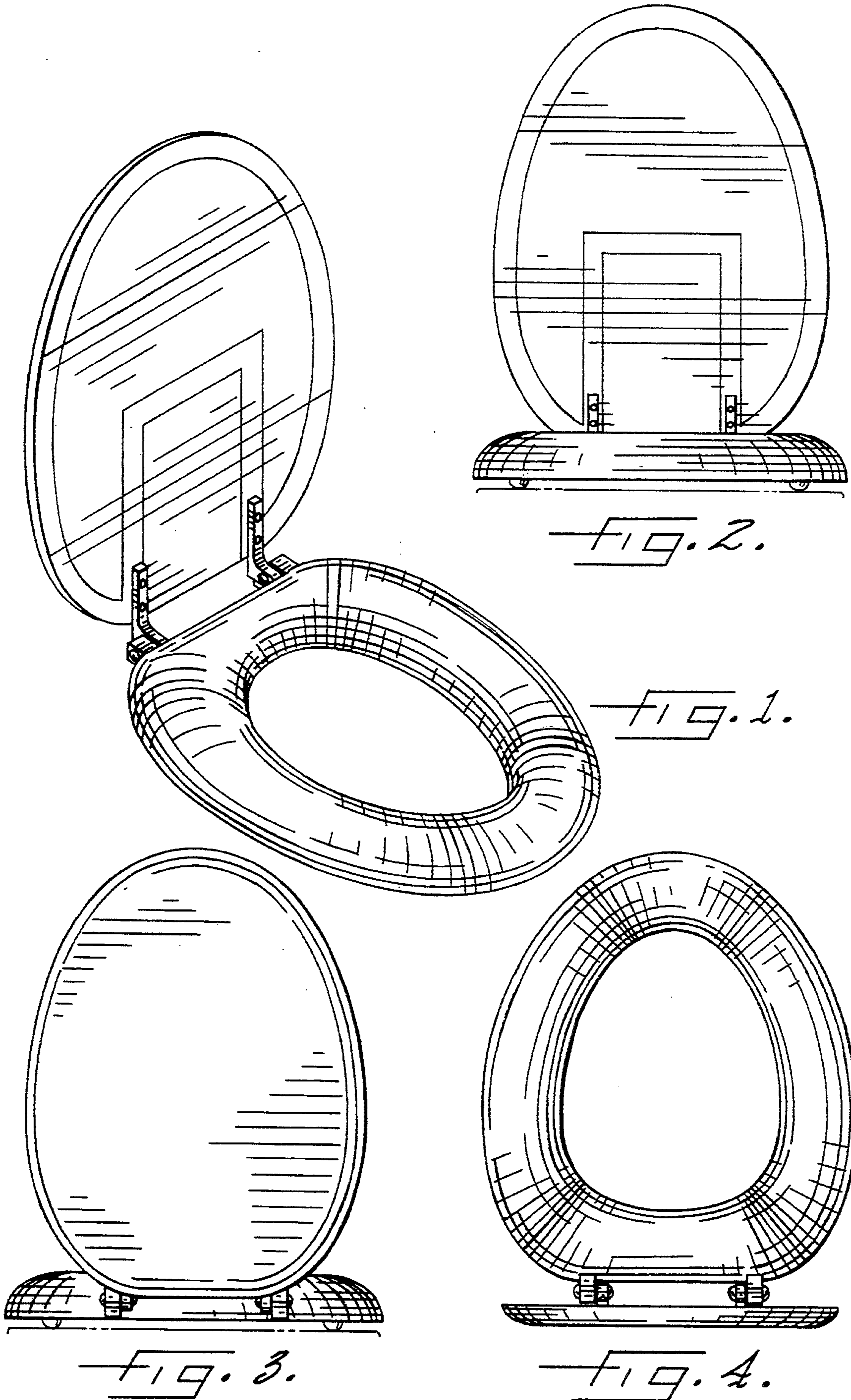
FIG. 4 is a top elevation view;

FIG. 5 is a bottom elevation view; and,

FIG. 6 is a side elevation view the opposite side being a mirror image thereof.

The broken lines shown in FIGS. 2, 3 and 6 are for illustrative purposes only and form no part of the claimed design.





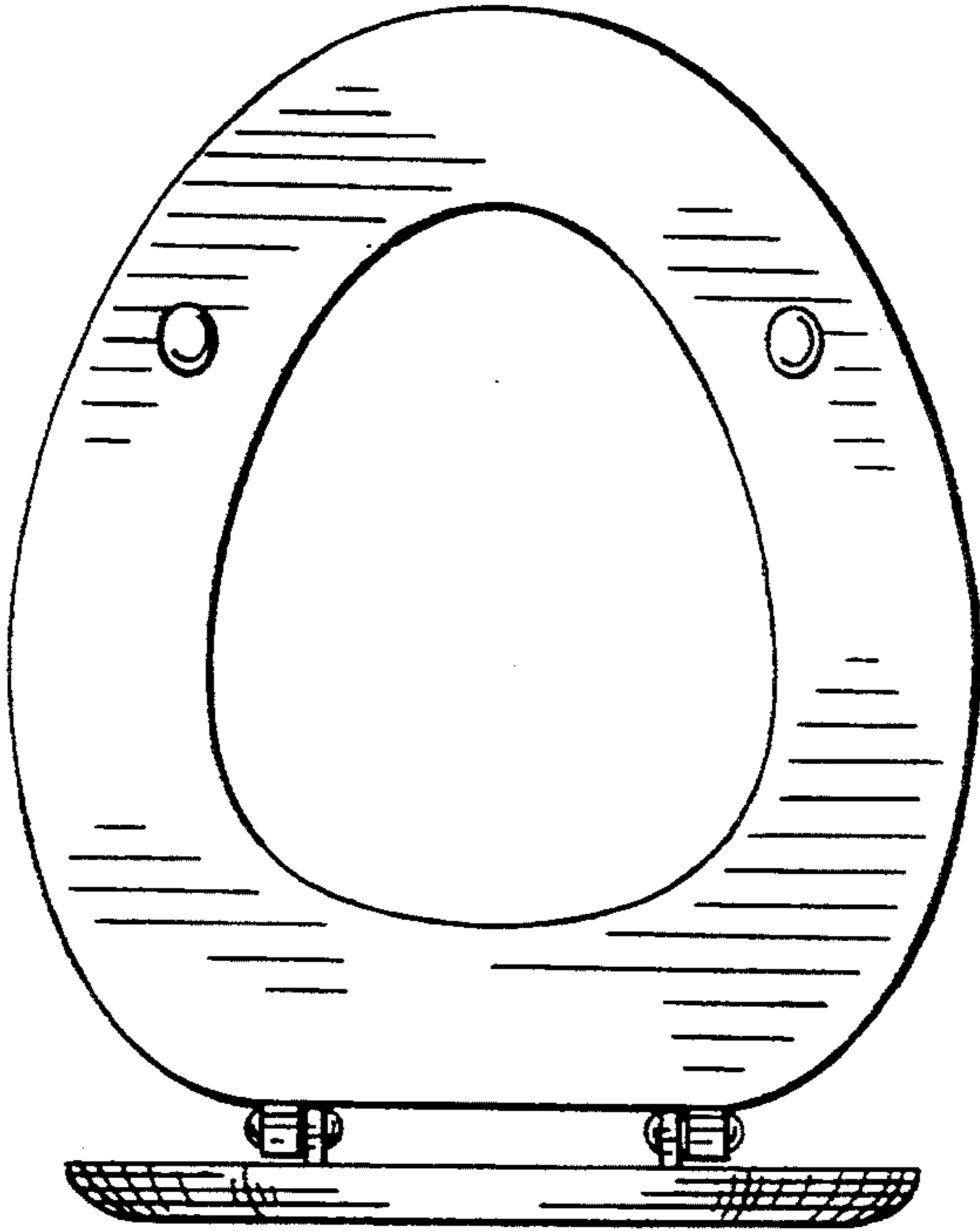


FIG. 5.

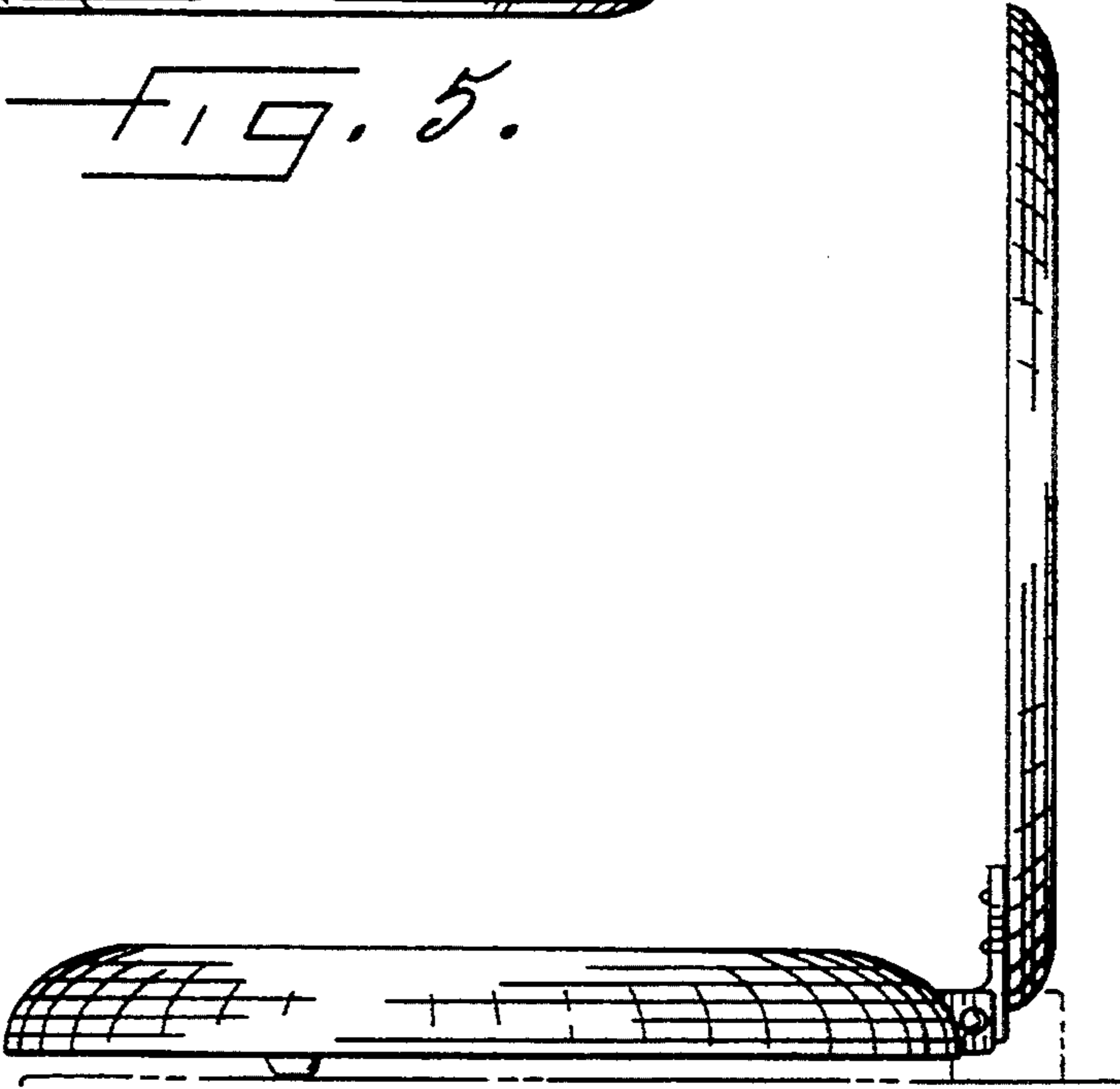


FIG. 6.