



US00D360253S

# United States Patent [19]

[11] Patent Number: **Des. 360,253**

Mursch

[45] Date of Patent: **\*\* Jul. 11, 1995**

[54] **LAWN AND GARDEN SUBSTANCE DISPENSER FOR ATTACHMENT TO A HOSE**

3,060,956 10/1962 Menzie ..... 239/310  
3,194,444 7/1965 Hubert ..... 239/317  
3,797,708 3/1974 Sypal ..... 239/310

[76] Inventor: **Timothy W. Mursch**, 303 Woodrow St., Fort Walton Beach, Fla. 32547

*Primary Examiner*—Brian N. Vinson  
*Assistant Examiner*—Robin V. Taylor  
*Attorney, Agent, or Firm*—H. Jay Spiegel

[\*\*] Term: **14 Years**

[57] **CLAIM**

[21] Appl. No.: **22,147**

The ornamental design for a lawn and garden substance dispenser for attachment to a hose, as shown and described.

[22] Filed: **May 2, 1994**

[52] U.S. Cl. .... **D23/225**

[58] Field of Search ..... D23/213, 223-229;  
239/302, 310, 317, 373

**DESCRIPTION**

[56] **References Cited**

**U.S. PATENT DOCUMENTS**

D. 296,813	7/1988	Ellison	.....	D23/225
D. 322,838	12/1991	Hagedorn	.....	D23/225
2,606,068	8/1952	Bonacor	.....	239/310
2,789,010	4/1957	Dean	.....	239/310
2,887,272	5/1959	Rosenthal	.....	239/310

FIG. 1 is a side view of a lawn and substance dispenser for attachment to a hose showing my new design; FIG. 2 is a front view thereof; FIG. 3 is a rear view thereof; FIG. 4 is a top plan view thereof; and, FIG. 5 shows a perspective view of the design as seen from the front, left and bottom. The oblique line shading is being used to show a translucent surface.

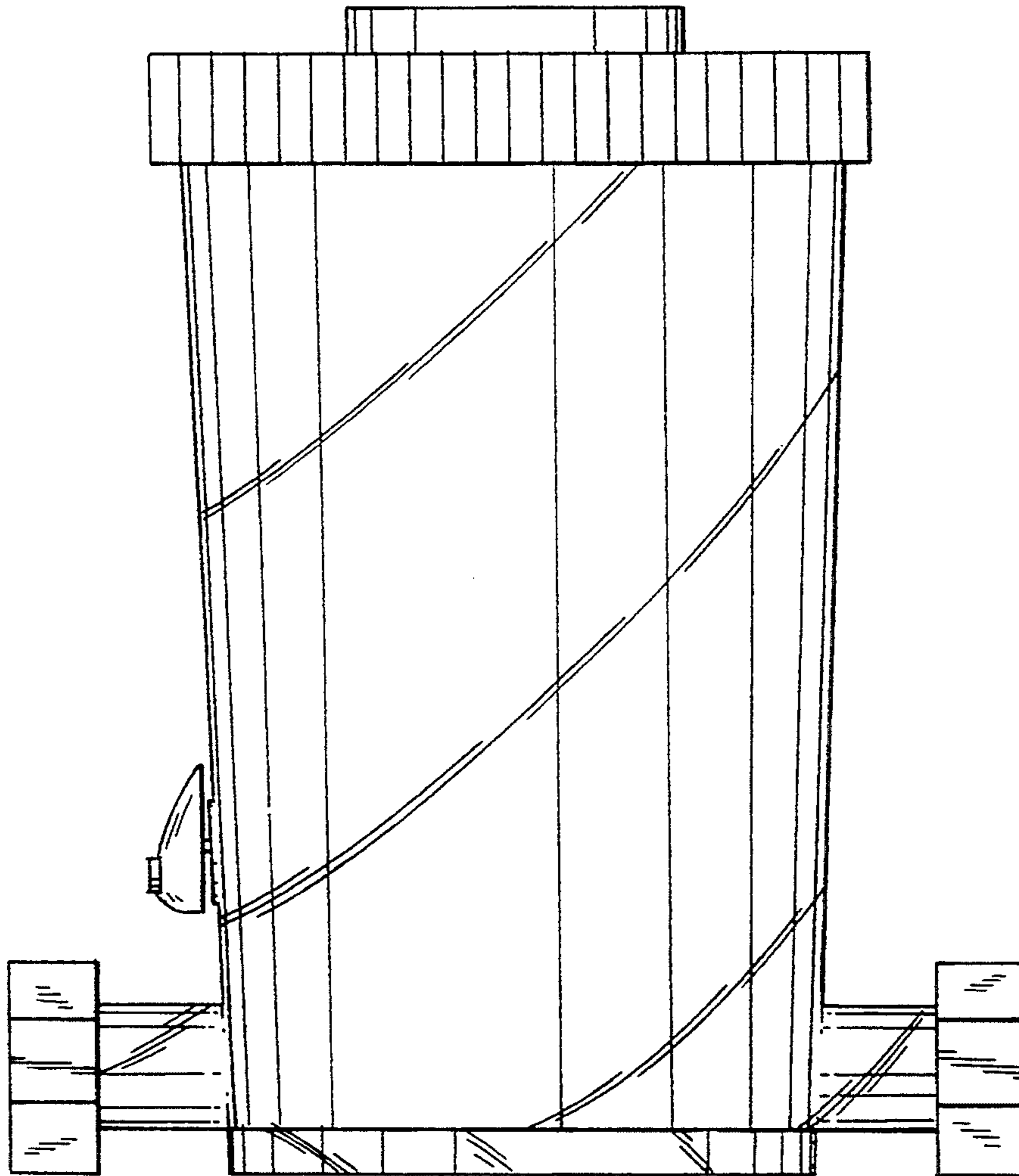


FIG. 1

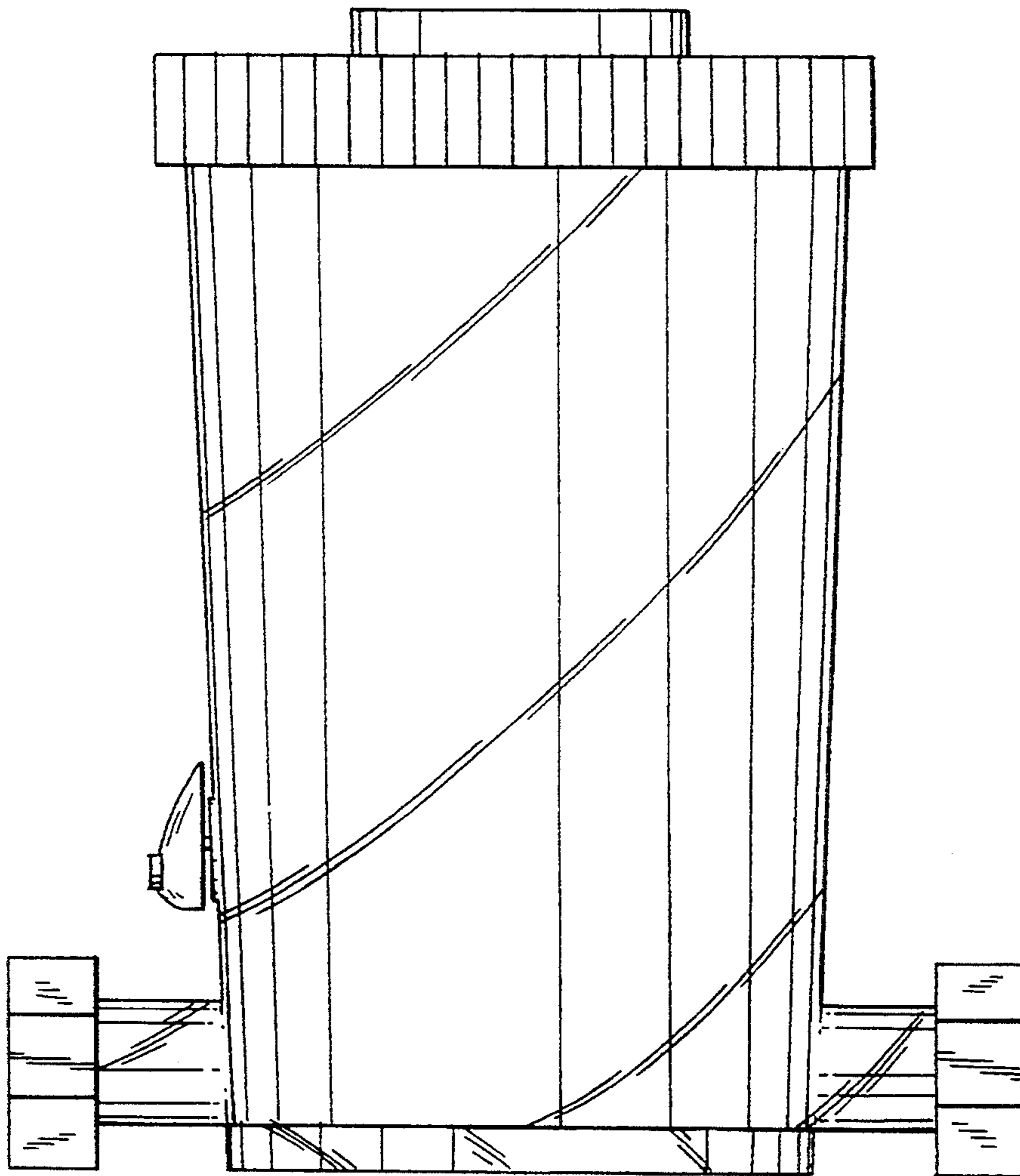


FIG. 2

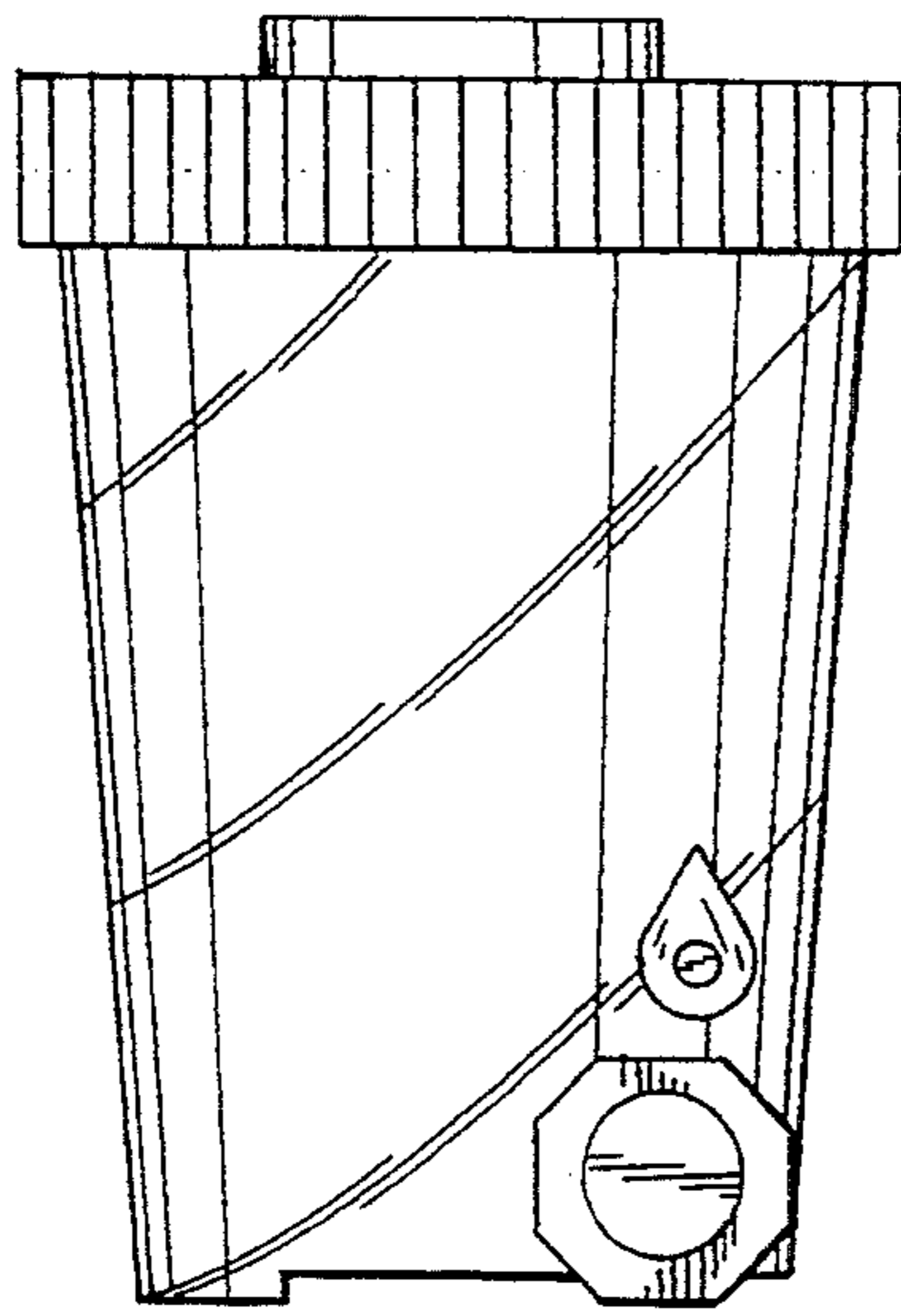


FIG. 3

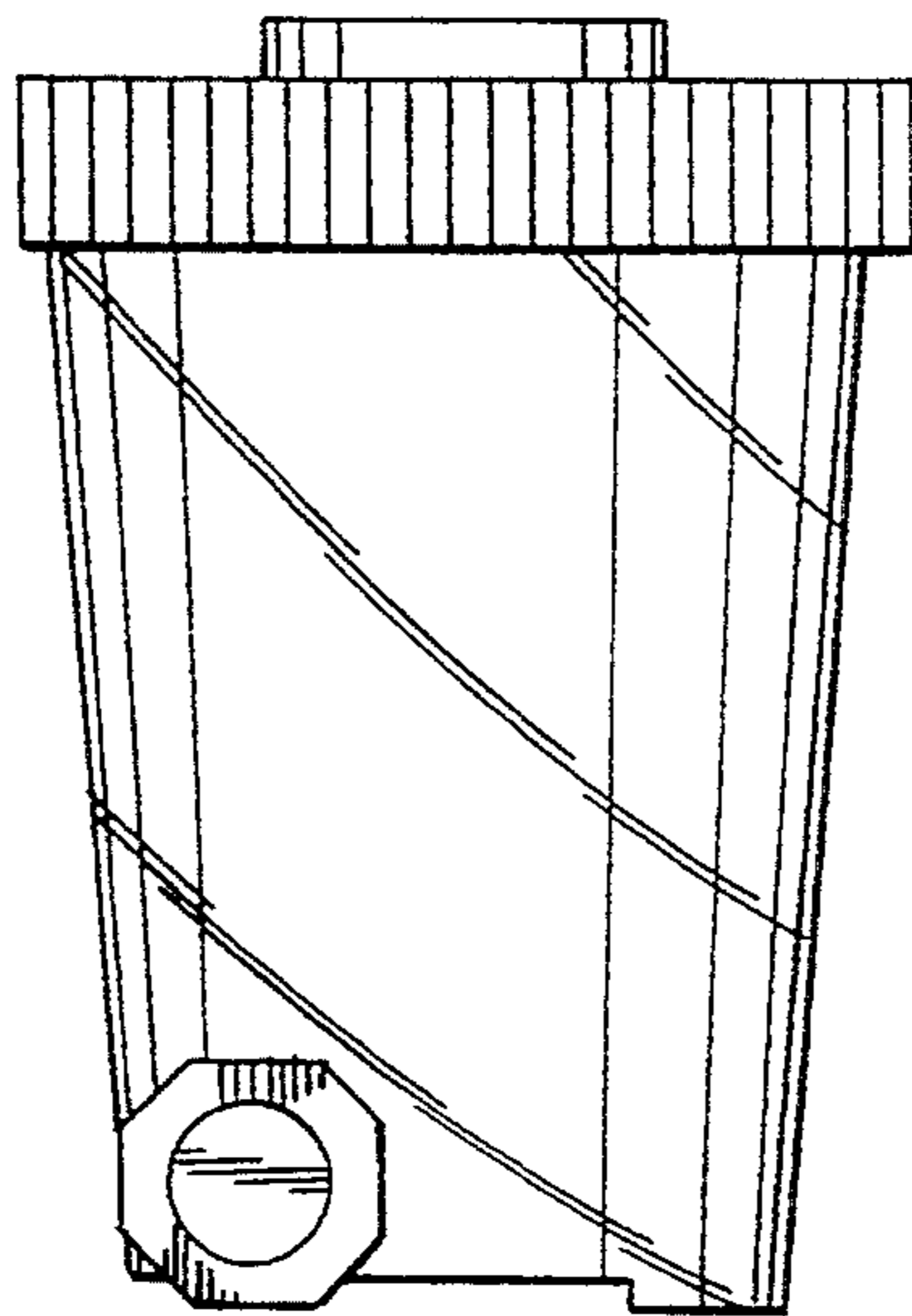


FIG. 4

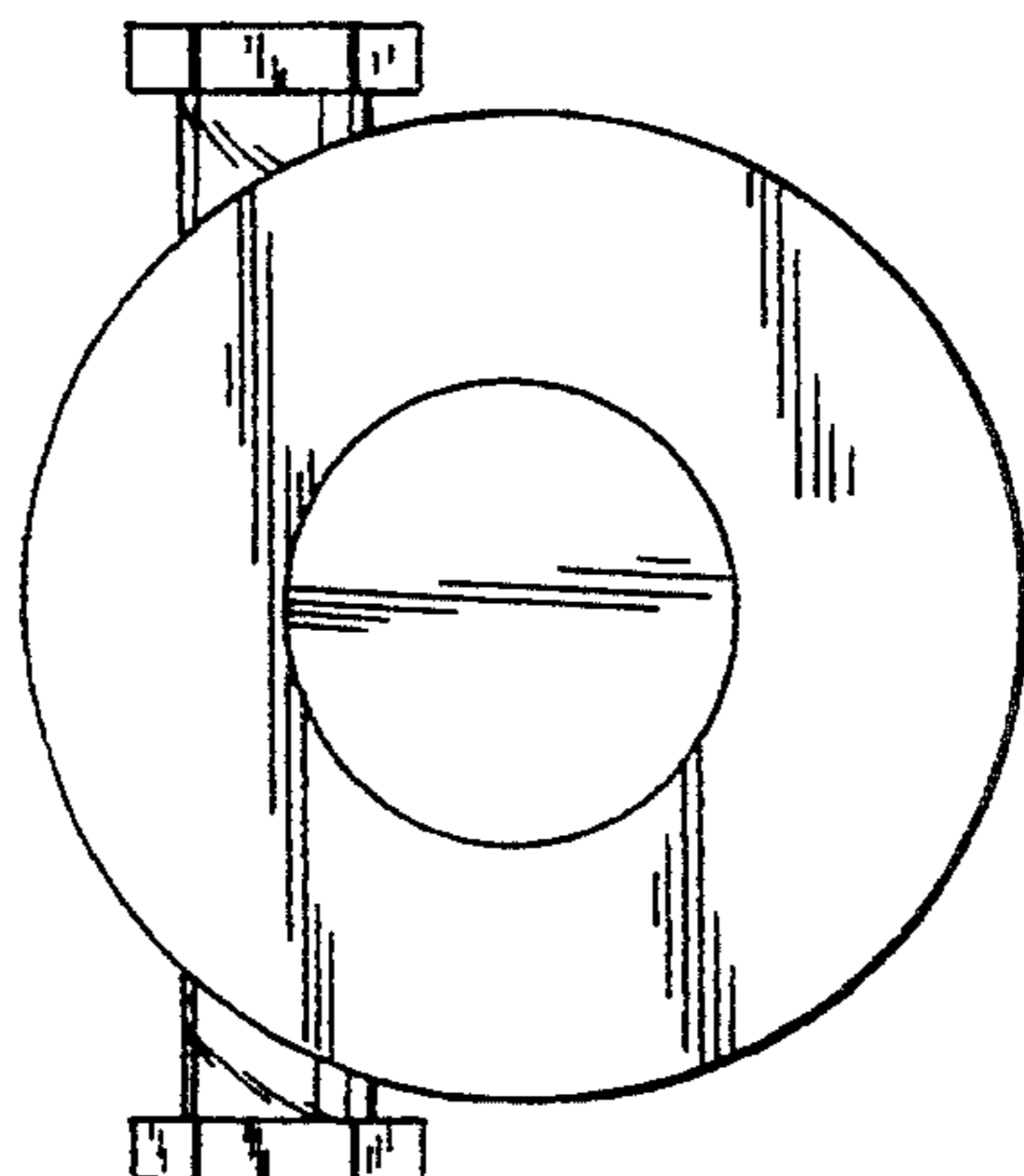


FIG. 5

