



US00D360252S

United States Patent [19]

Dennison

[11] Patent Number: **Des. 360,252**

[45] Date of Patent: **** Jul. 11, 1995**

[54] SUB-SURFACE INJECTION IRRIGATOR

[76] Inventor: **Lawrence B. Dennison**, 421 W. Shannon, Spokane, Wash. 99205

[**] Term: **14 Years**

[21] Appl. No.: **24,388**

[22] Filed: **Jun. 13, 1994**

[52] U.S. Cl. **D23/217; D23/213**

[58] Field of Search **D23/213-217; 239/270, 276, 310, 532; 47/57.5; 111/7.1, 7.4**

[56] **References Cited**

U.S. PATENT DOCUMENTS

1,755,445	4/1930	Irish	111/7.1
2,027,005	1/1936	Tatroe	111/7.1
2,242,789	5/1941	McFee	111/7.1
2,302,799	11/1942	Peterson	111/7.1
2,306,165	12/1942	Irish	111/7.1

2,357,766	9/1944	Rushmer	111/7.1
2,800,865	7/1957	Gathercoal	111/7.1
4,705,218	11/1987	Daniels	239/27

Primary Examiner—Brian N. Vinson
Assistant Examiner—Robin V. Taylor
Attorney, Agent, or Firm—David L. Baker; Rhodes & Ascolillo

[57] **CLAIM**

The ornamental design for a sub-surface injection irrigator, as shown and described.

DESCRIPTION

FIG. 1 is a front elevational view of a sub-surface injection irrigator showing my new design; FIG. 2 is a rear elevational view; FIG. 3 is a top plan view; FIG. 4 is a bottom plan view; and, FIG. 5 is a right side elevational view, the left side elevational view being a mirror image thereof.

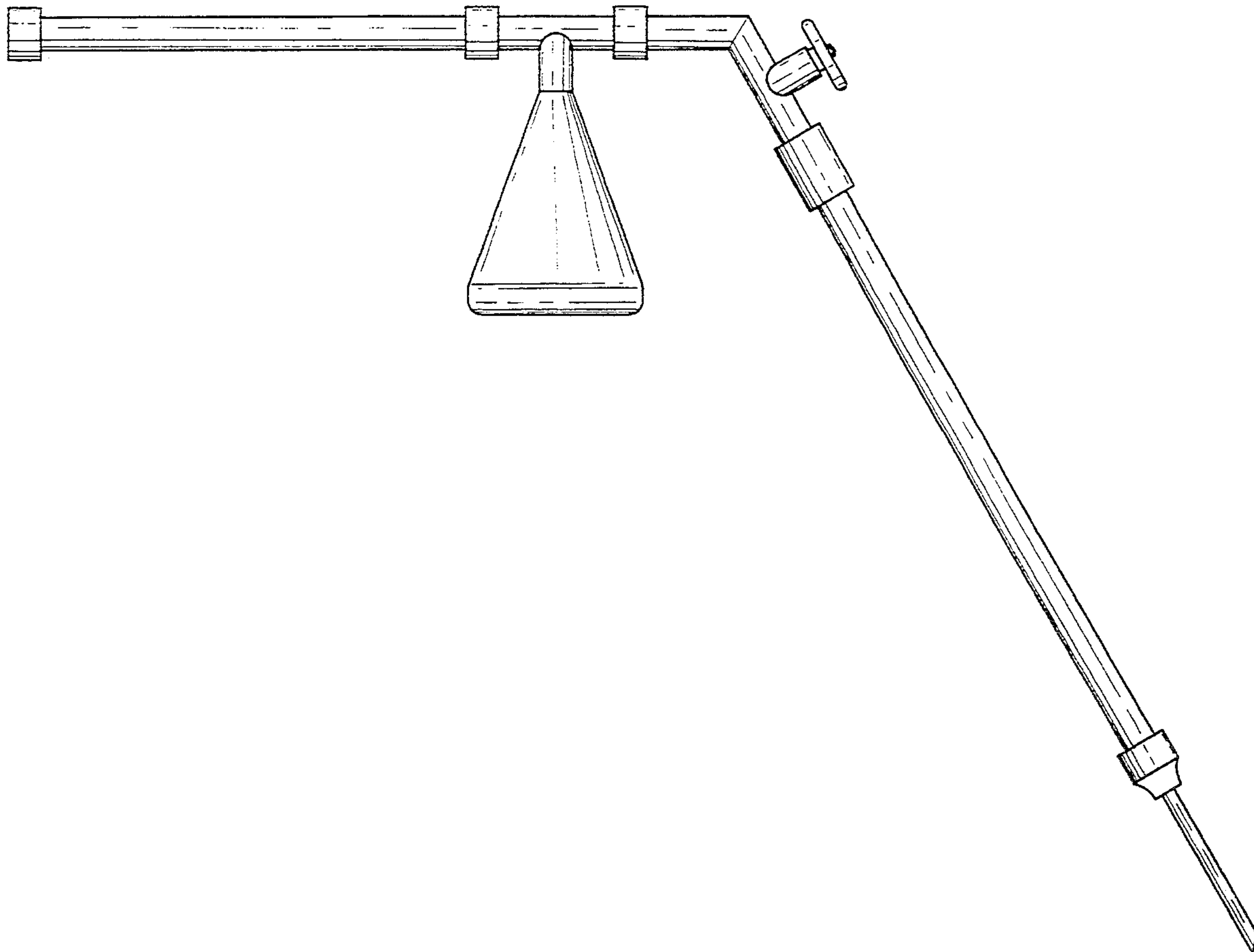


FIG. 1

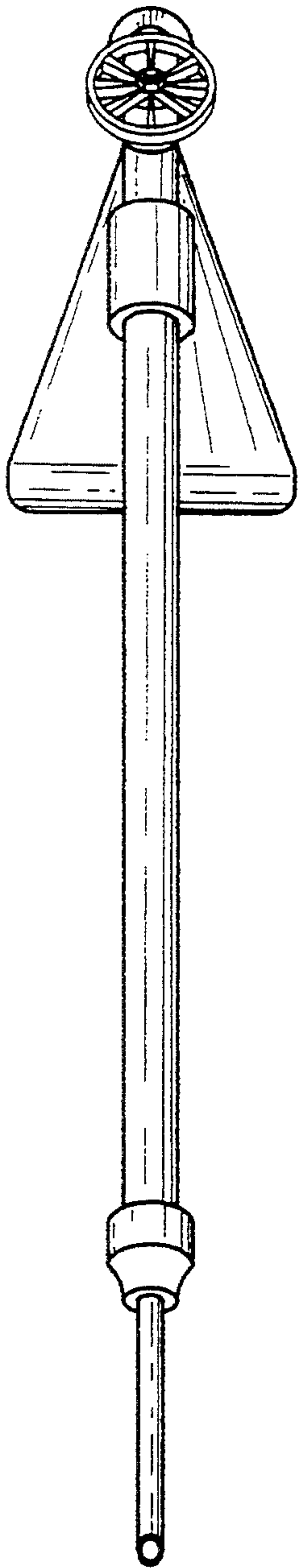


FIG. 2

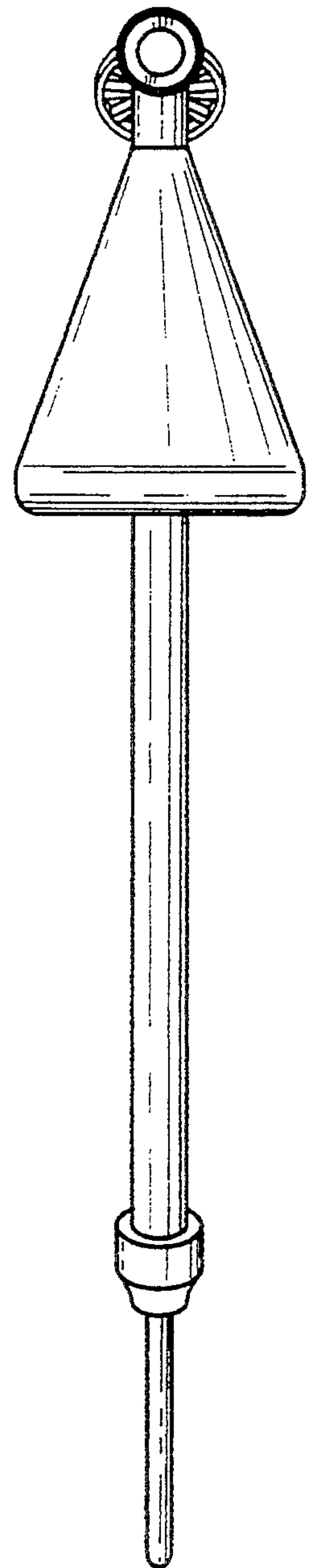


FIG. 3

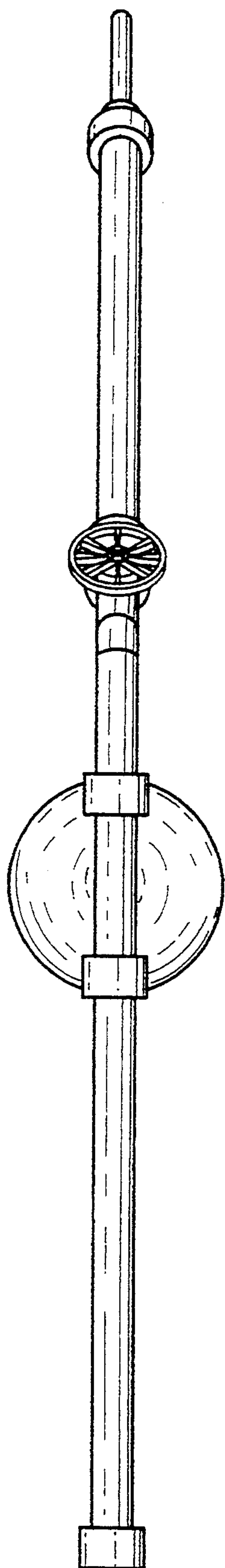
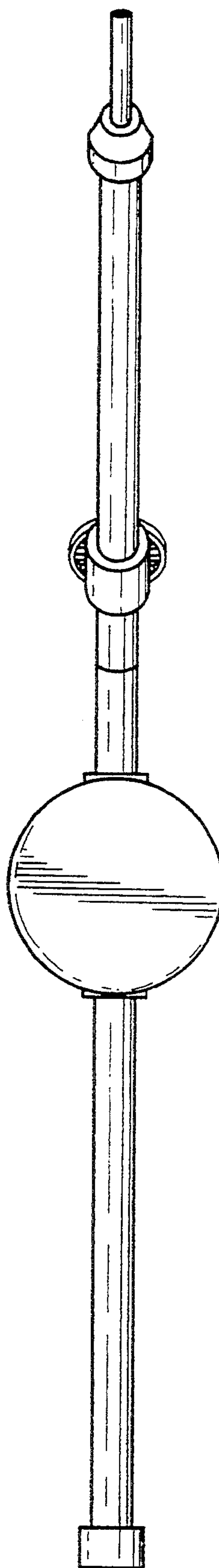


FIG. 4



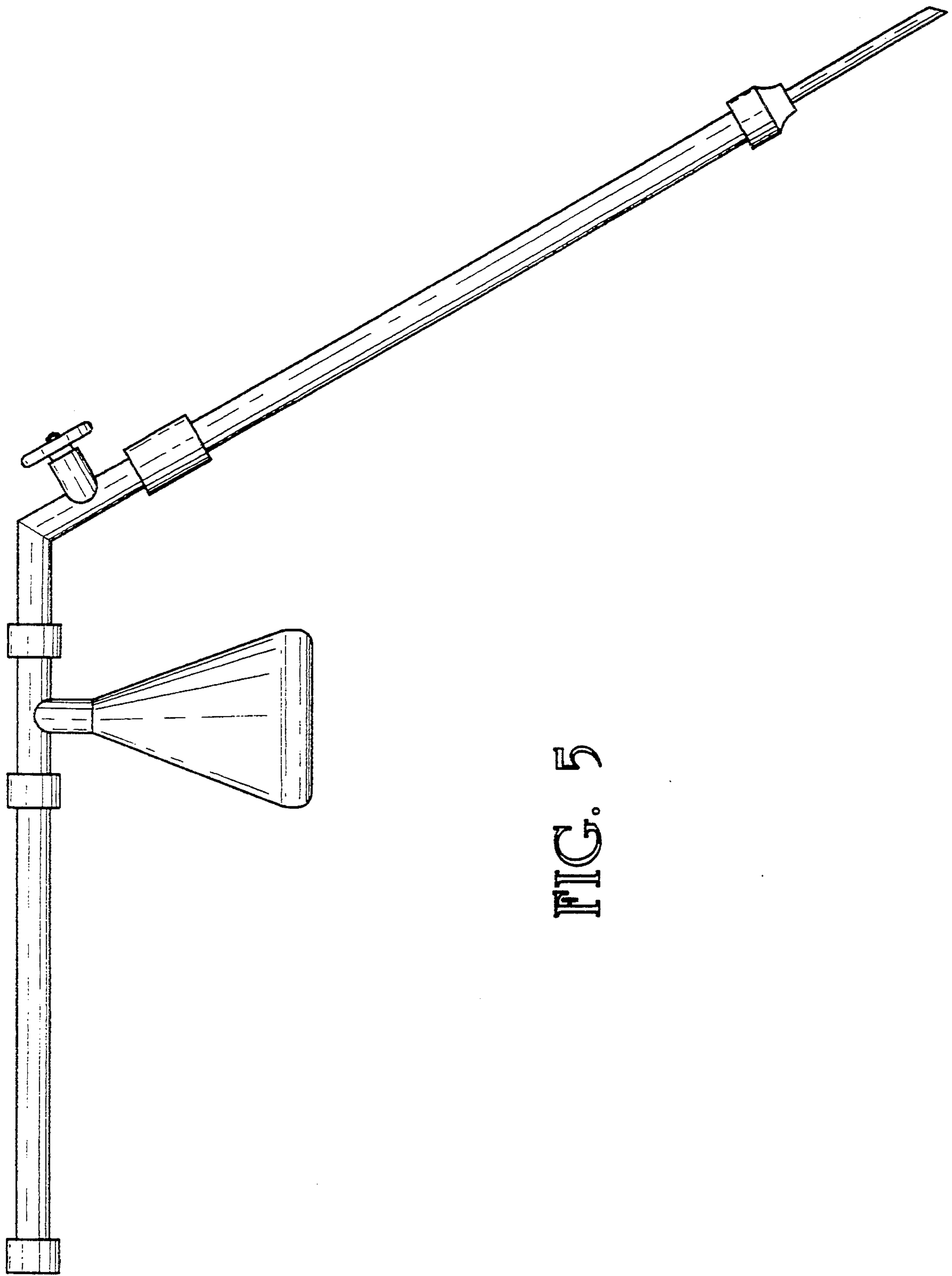


FIG. 5