



US00D360251S

United States Patent [19]

[11] Patent Number: **Des. 360,251**

Russell

[45] Date of Patent: **** Jul. 11, 1995**

- [54] **MOUSE TRAP RECEPTACLE**
- [76] Inventor: **Louis A. Russell**, 977 W. Central Ave., St. Paul, Minn. 55104
- [**] Term: **14 Years**
- [21] Appl. No.: **20,692**
- [22] Filed: **Mar. 31, 1994**
- [52] U.S. Cl. **D22/119**
- [58] Field of Search **D22/119-123;**
43/111, 107, 60, 61, 65, 68, 73, 74, 69, 122, 71

- 4,856,226 8/1989 Taylor 43/111
- 5,184,417 2/1993 Weldon 43/107

Primary Examiner—Doris V. Coles
Attorney, Agent, or Firm—Anthony G. Eggink

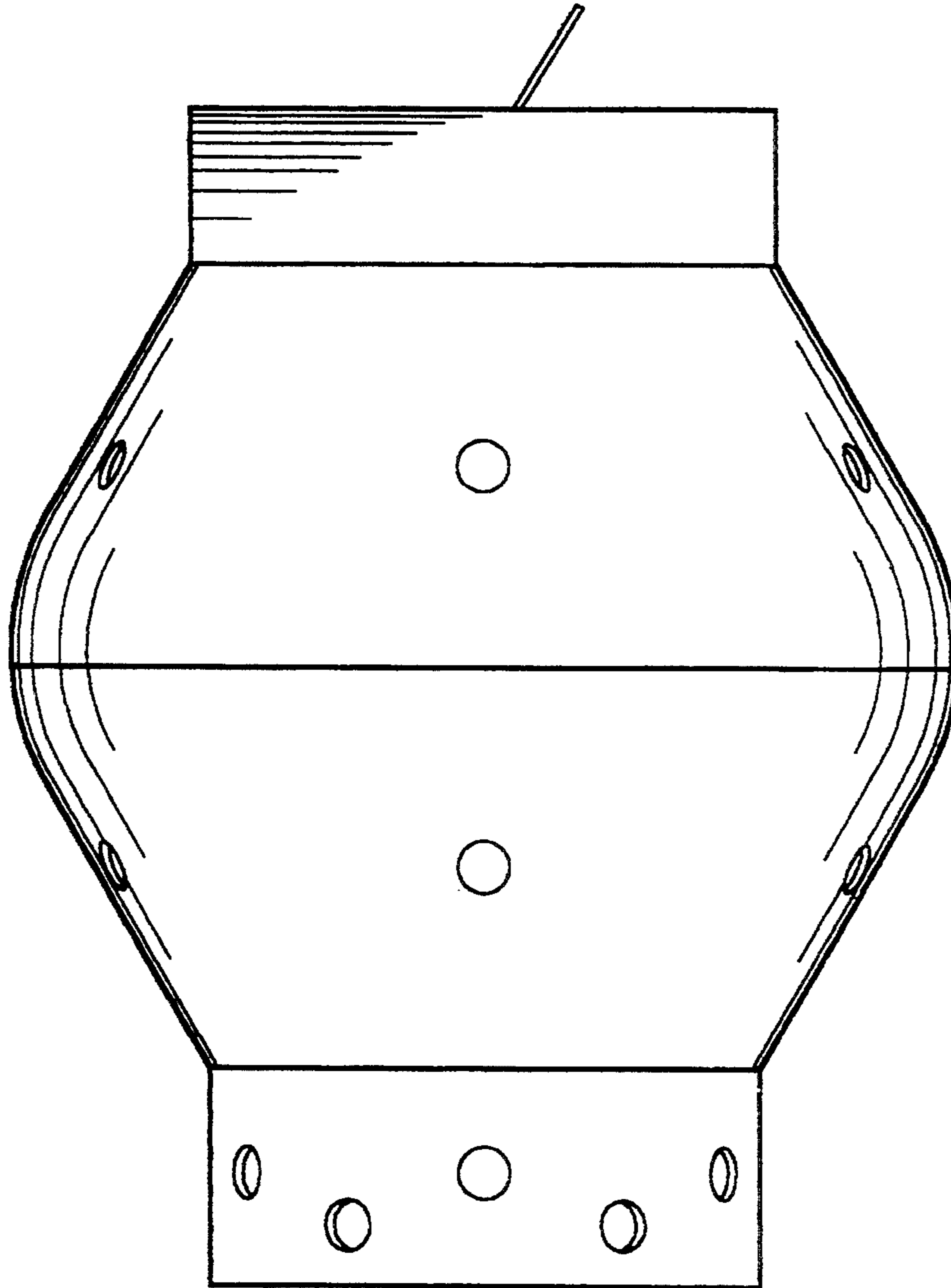
[57] CLAIM

The ornamental design for a mouse trap receptacle, as shown and described.

DESCRIPTION

FIG. 1 is a top plan view of a mouse trap receptacle, showing my new design in a closed position;
 FIG. 2 is a side elevational view thereof in an open position;
 FIG. 3 is a front elevational view thereof in an open position, the rear view being a mirror image thereof;
 FIG. 4 is a bottom plan view thereof; and,
 FIG. 5 is a side elevational view opposite that of FIG. 2.

- [56] **References Cited**
- U.S. PATENT DOCUMENTS**
- 473,967 5/1892 Shaffer 43/68
- 1,110,006 9/1914 Peterson 43/60
- 1,520,557 12/1924 Berg 43/69
- 1,682,575 8/1928 Leon et al. 43/122



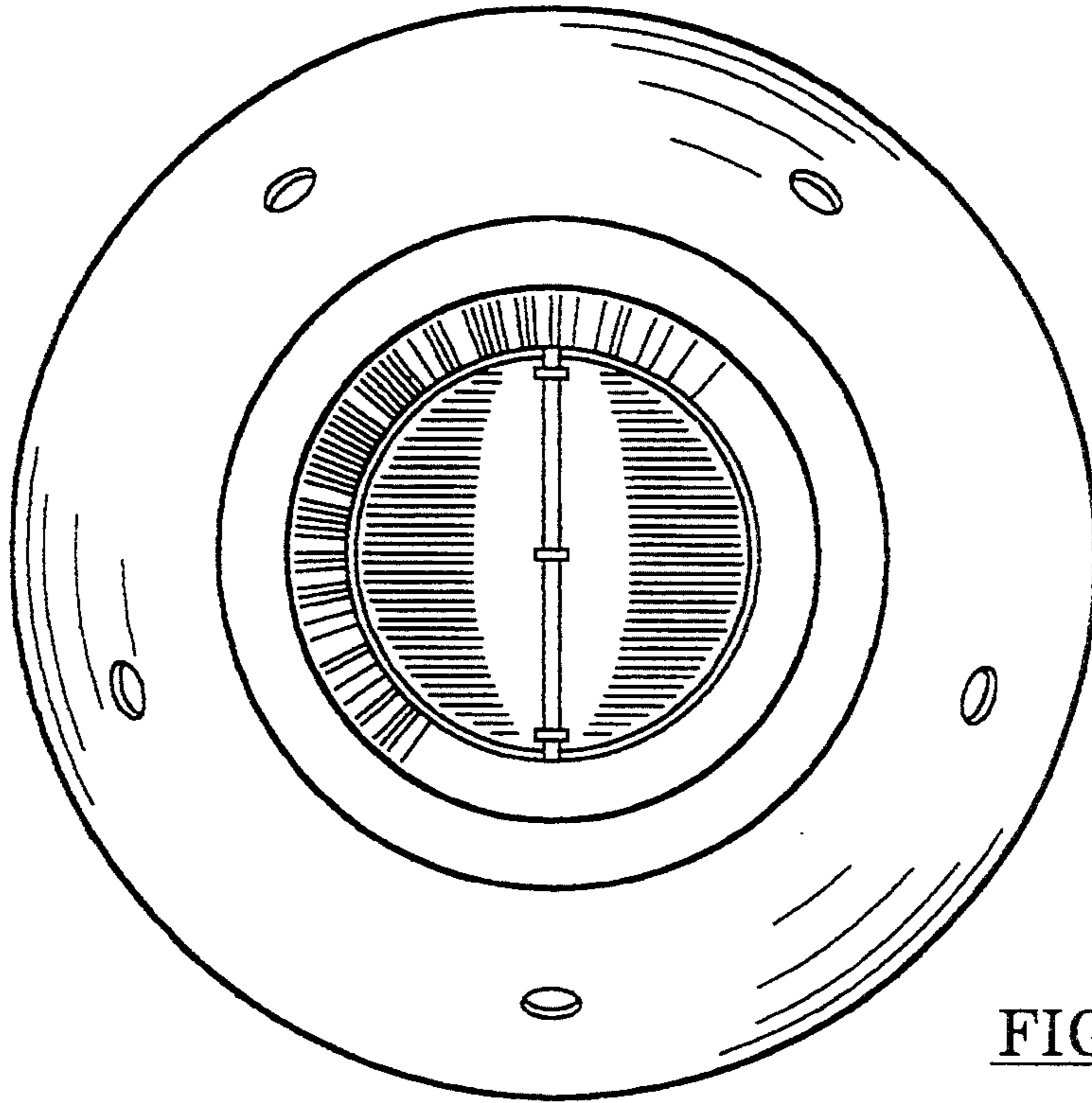


FIG. 1

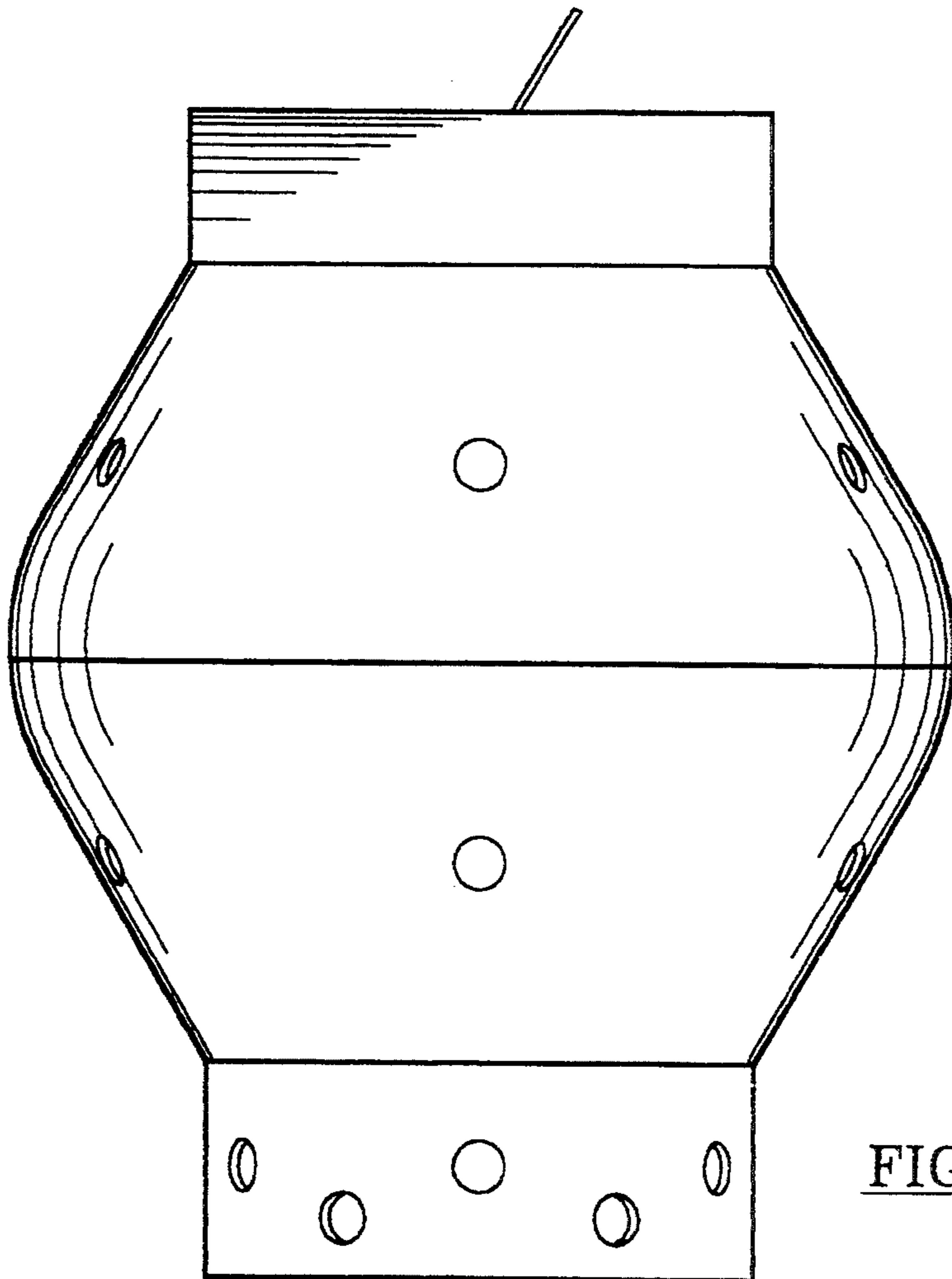


FIG. 2

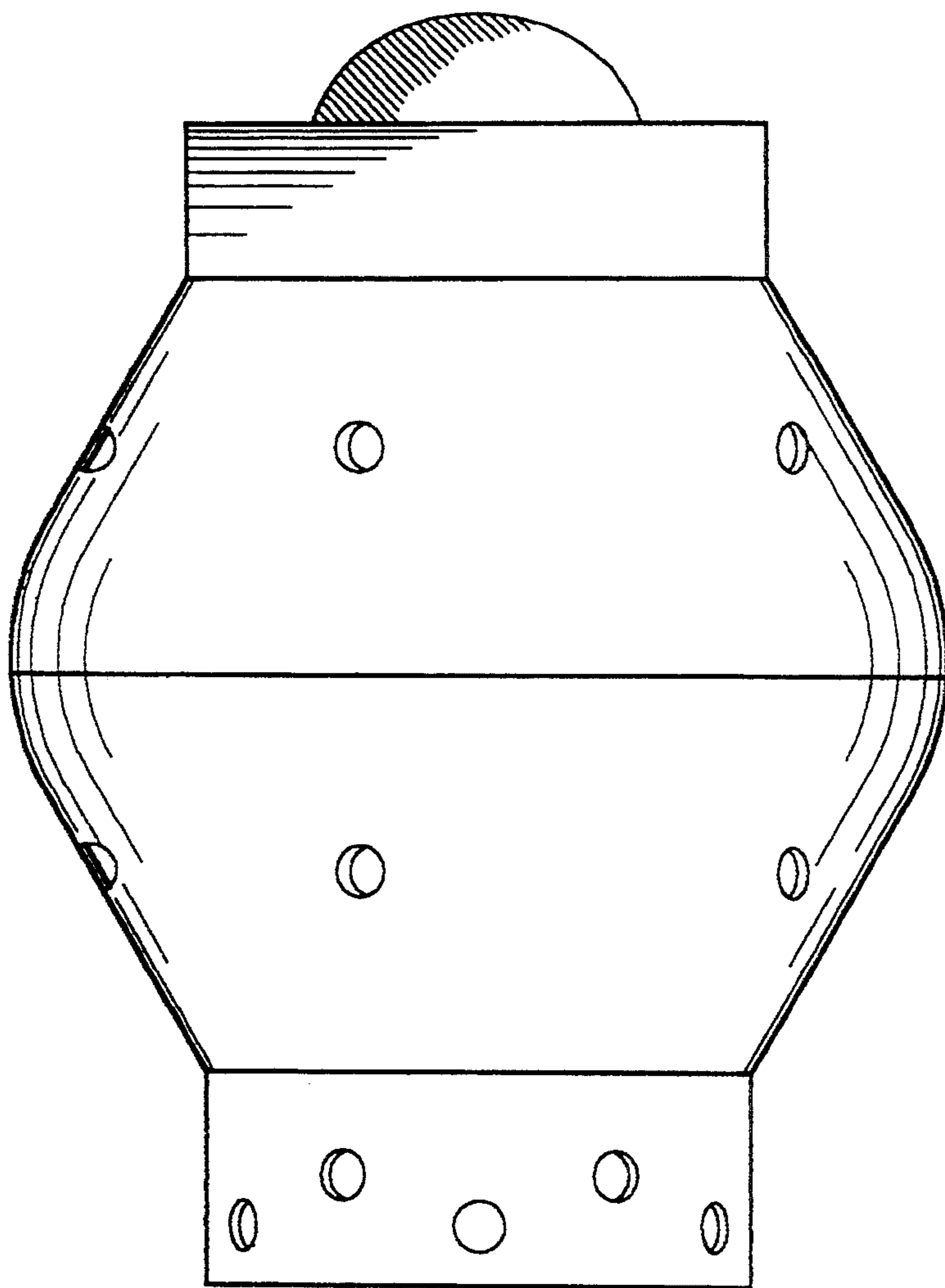


FIG. 3

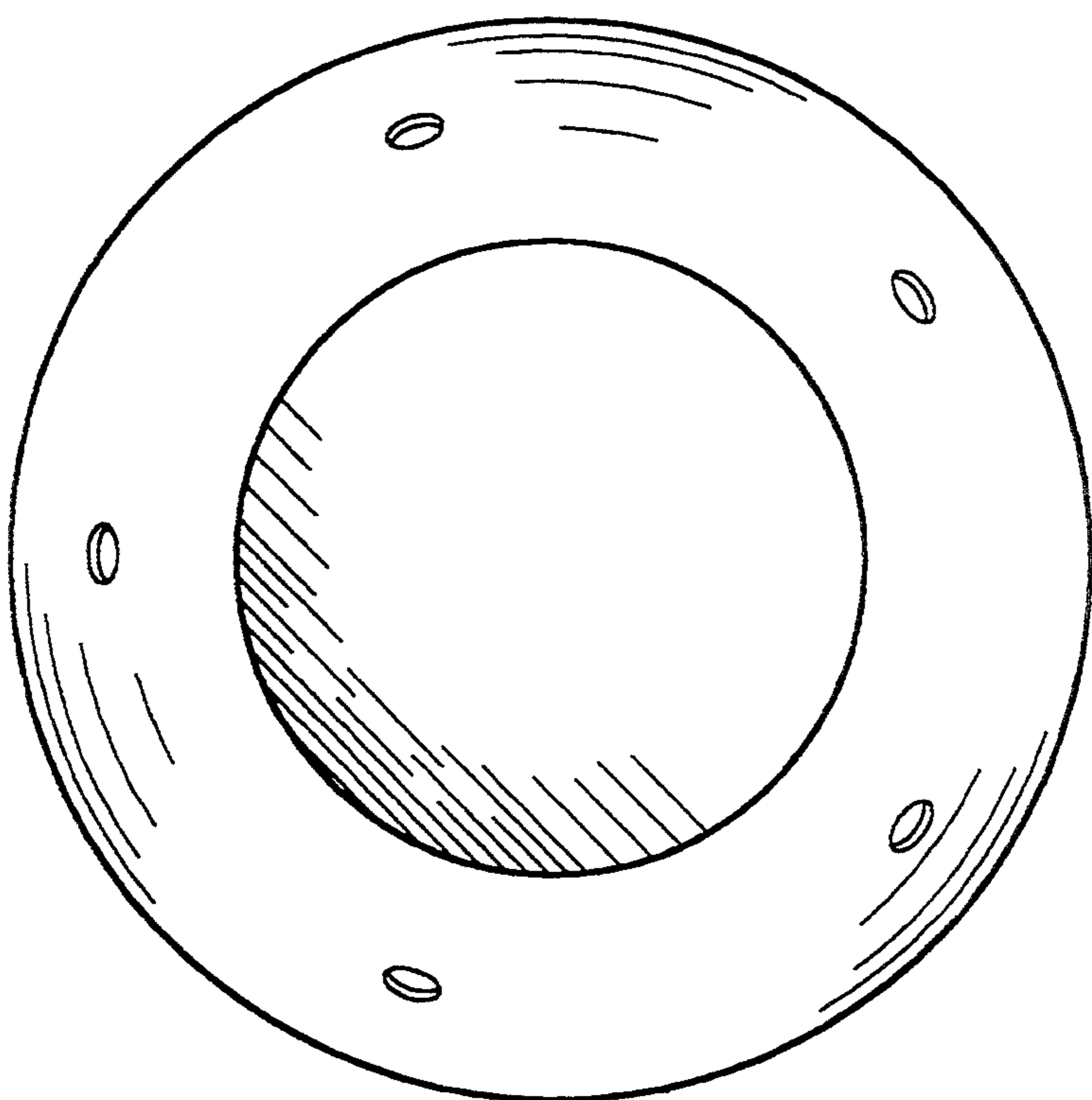


FIG. 4

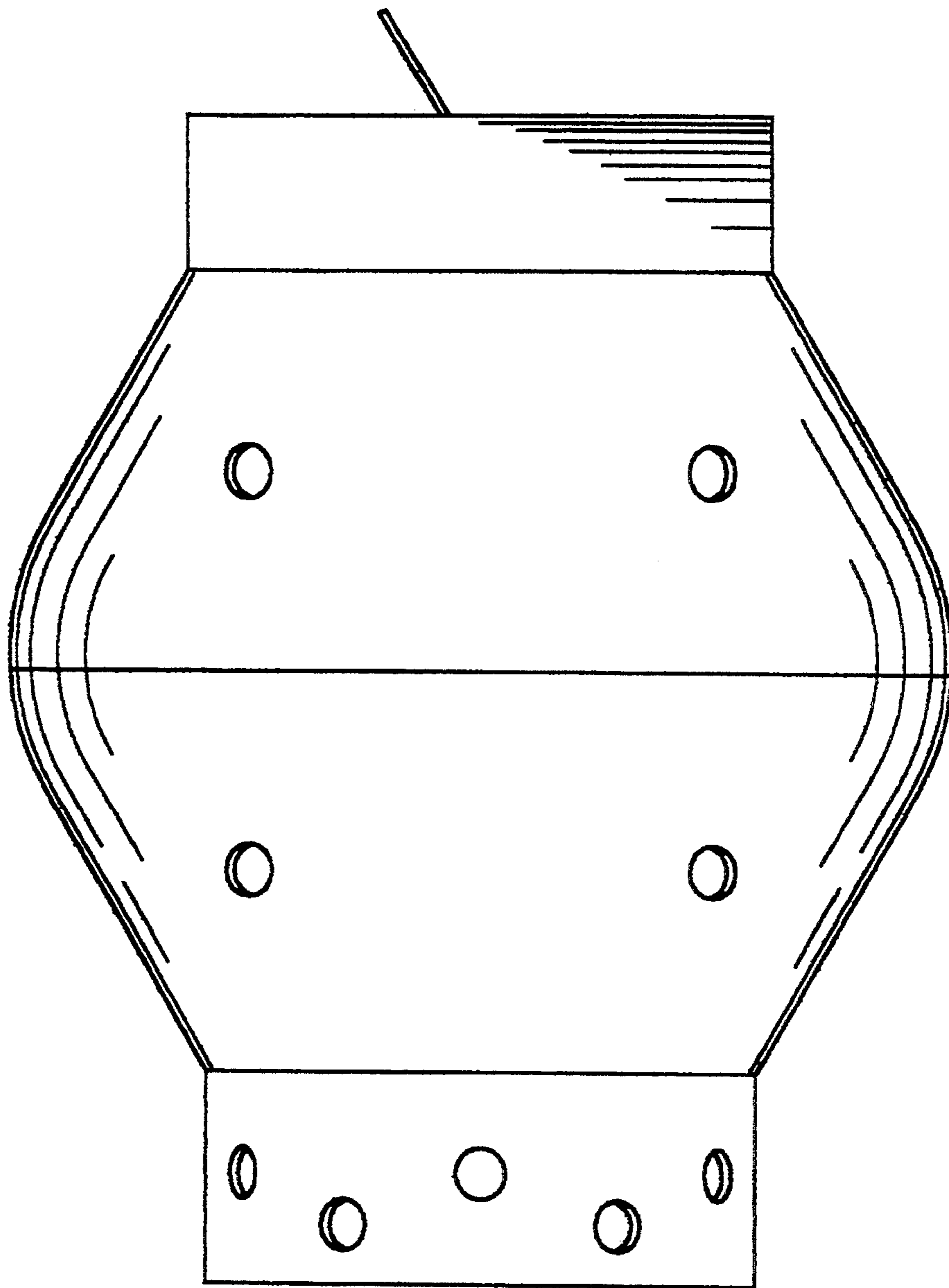


FIG. 5