



US00D360250S

United States Patent [19]
Coste

[11] **Patent Number: Des. 360,250**

[45] **Date of Patent: ** Jul. 11, 1995**

[54] **SIGHT MOUNT**

4,660,289 4/1987 Wilhide 33/265 X

[75] **Inventor: Juergen Coste, Danville, Calif.**

[73] **Assignee: Alpec Team Incorporated, Livermore, Calif.**

[**] **Term: 14 Years**

[21] **Appl. No.: 27,798**

[22] **Filed: Aug. 29, 1994**

[52] **U.S. Cl. D22/110; D22/109**

[58] **Field of Search D22/100, 101, 103, 108, D22/109, 110; 42/2, 7, 50, 69.01, 69.02, 69.03, 70.06, 70.07, 70.11, 71.02, 98, 100, 101; 33/241, 245, 247, 252, 265**

[56] **References Cited**

U.S. PATENT DOCUMENTS

2,018,960	10/1935	Kuhn	42/100 X
2,377,704	6/1945	Loomis	33/252
2,423,141	7/1947	Ferrel	33/241 X
3,834,035	9/1974	Merrill	33/241 X

OTHER PUBLICATIONS

Alpec Team, Incorporated Brochure. Power Shot™. Published about Apr., 1994. 8 pgs.

Primary Examiner—Louis S. Zarfes

Assistant Examiner—Monica A. Hannon

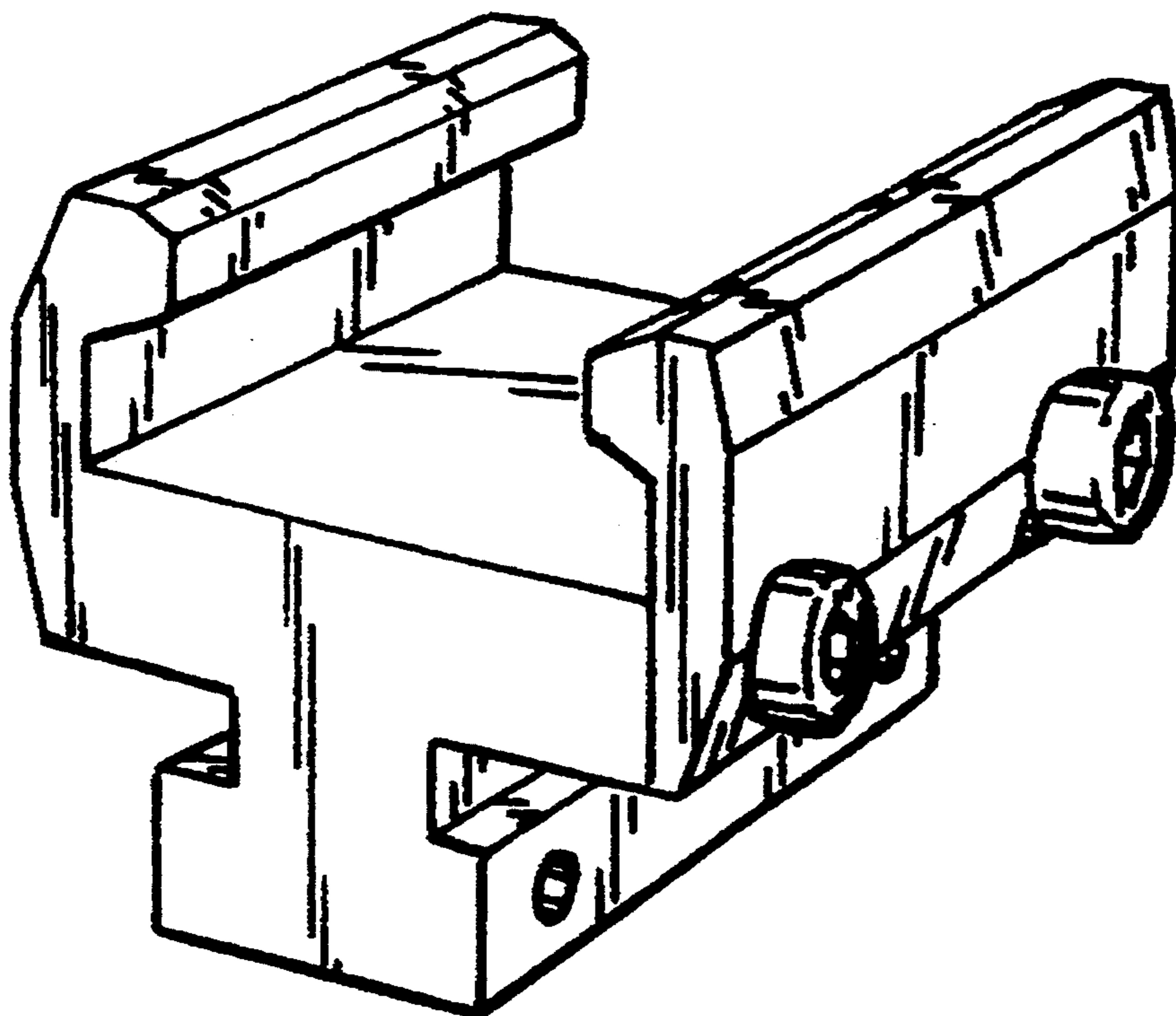
Attorney, Agent, or Firm—Townsend and Townsend Khourie and Crew

[57] **CLAIM**

The ornamental design for a sight mount, as shown and described.

DESCRIPTION

FIG. 1 is a perspective view of a sight mount showing my new design;
FIG. 2 is a top plan view thereof;
FIG. 3 is a front elevational view thereof;
FIG. 4 is a right side elevational view;
FIG. 5 is a rear elevational view thereof;
FIG. 6 is a left side elevational view thereof; and,
FIG. 7 is a top plan view thereof.



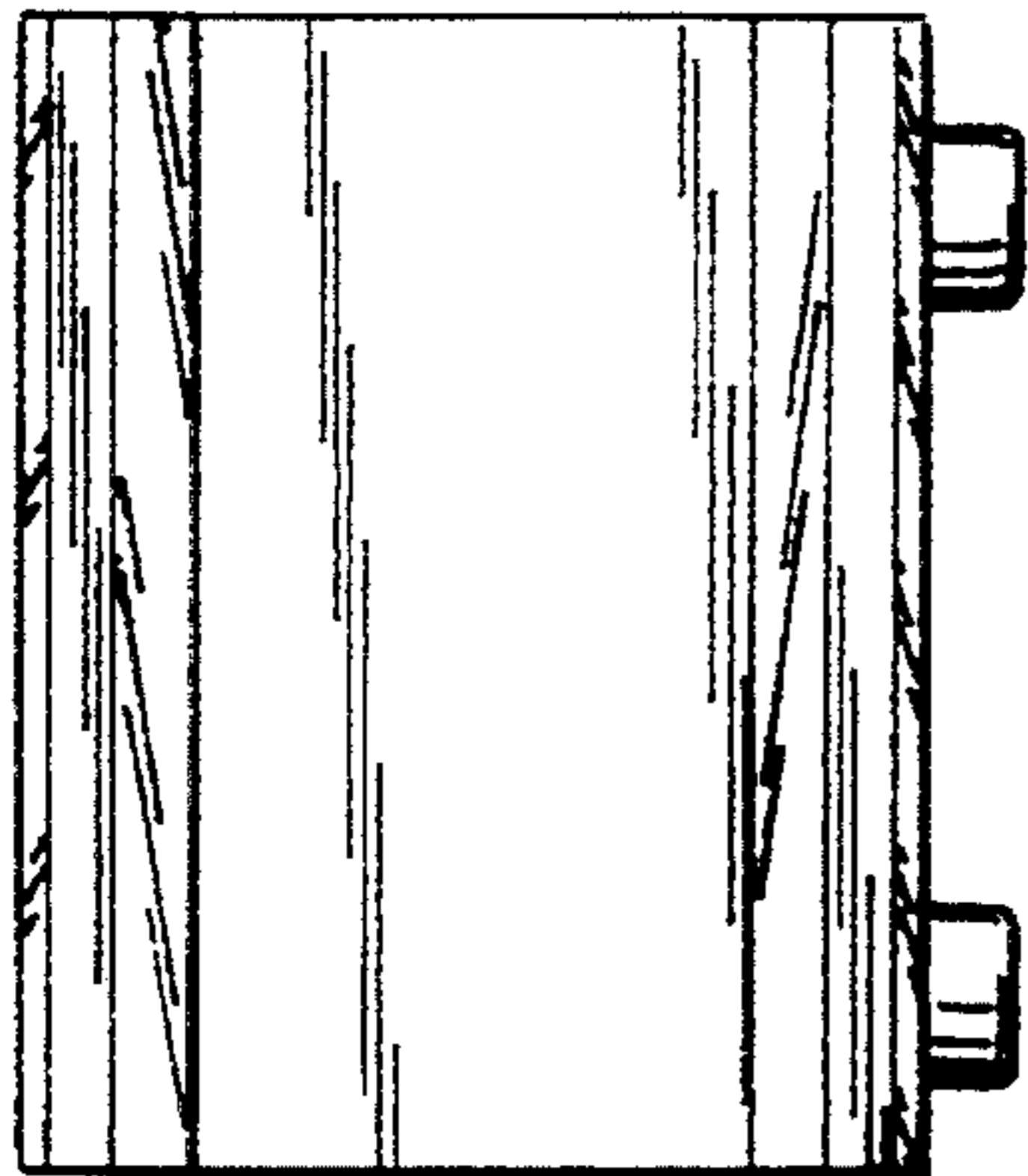


FIG. 2.

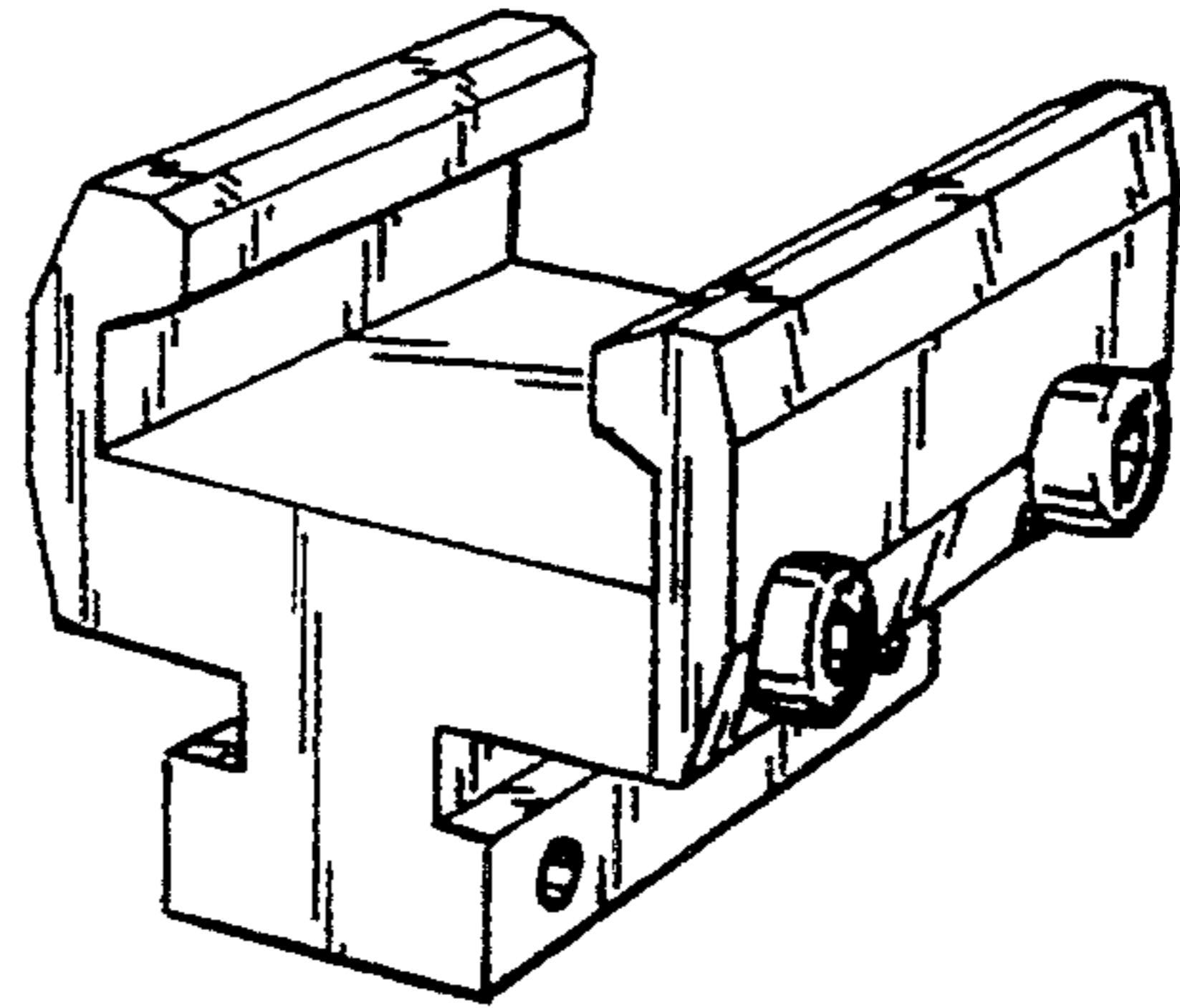


FIG. 1.

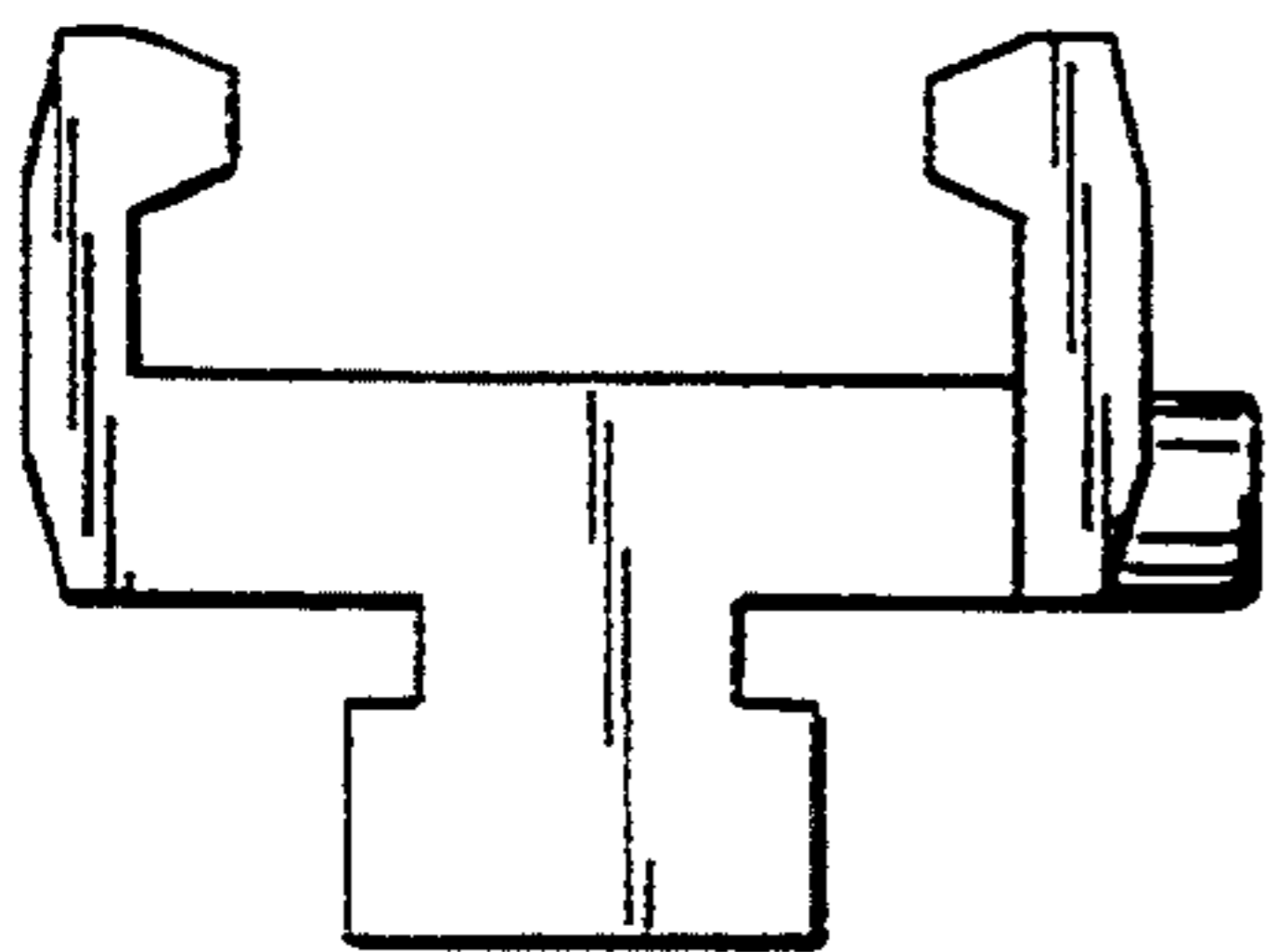


FIG. 3.

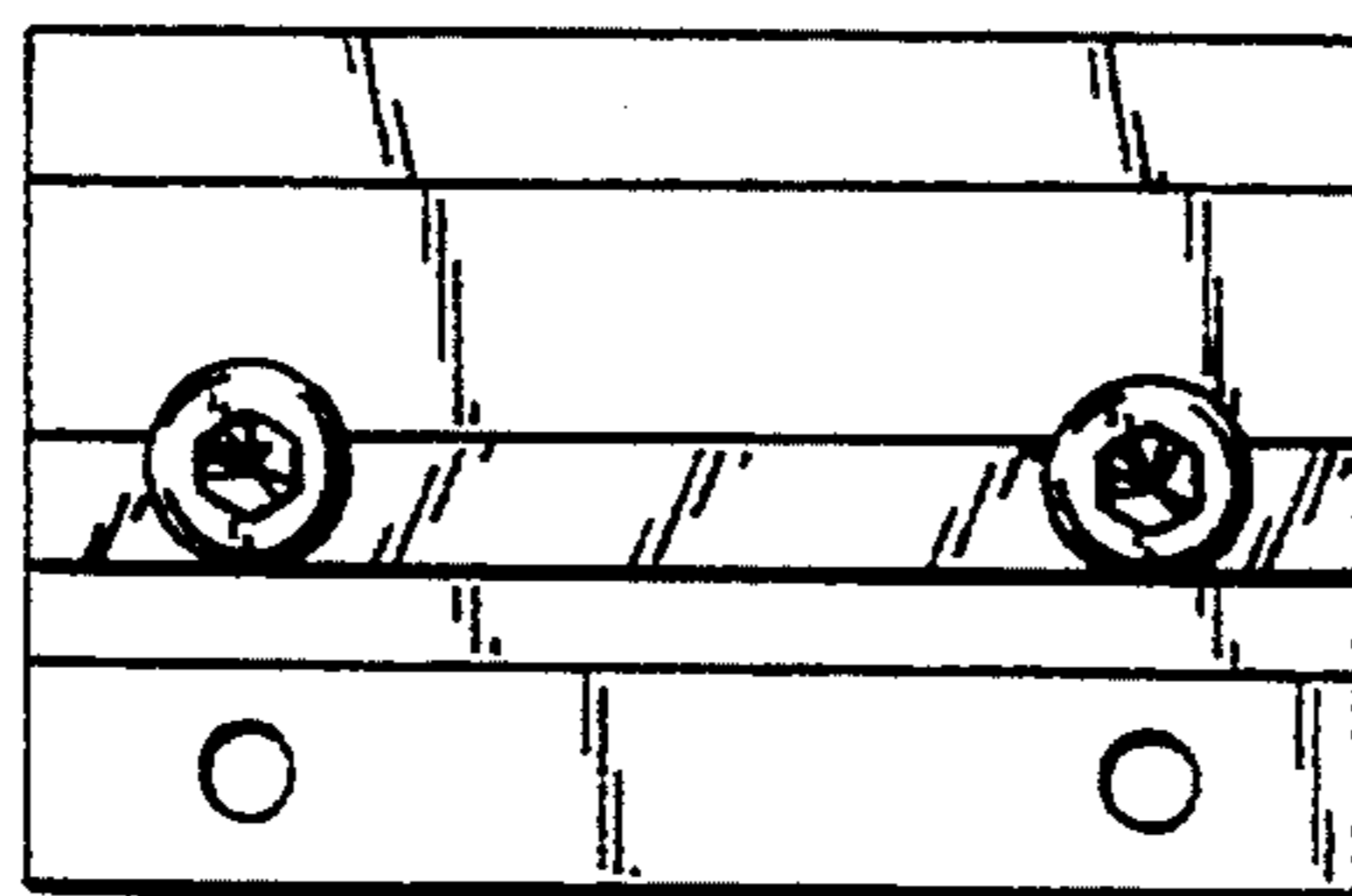


FIG. 4.

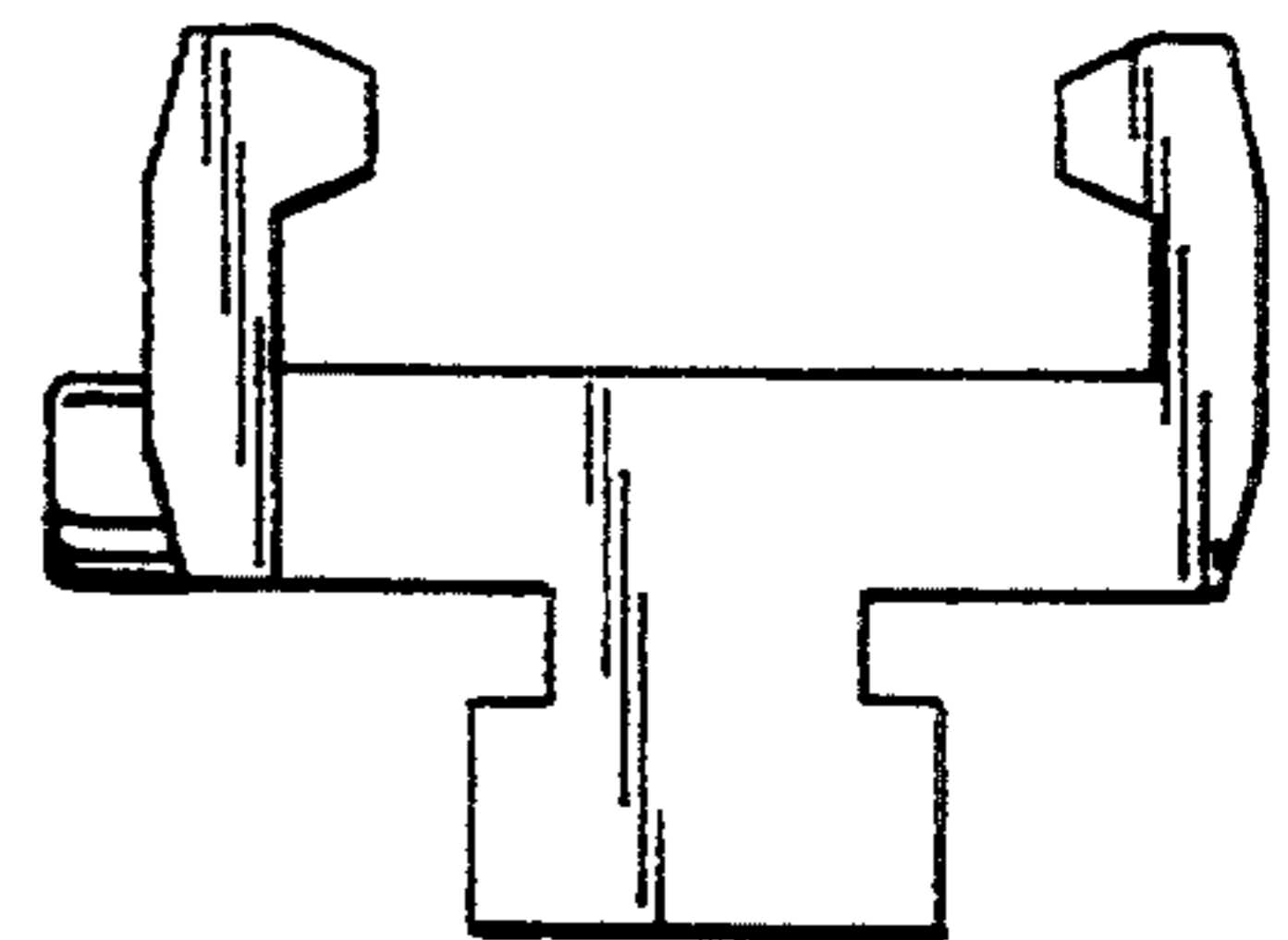


FIG. 5.

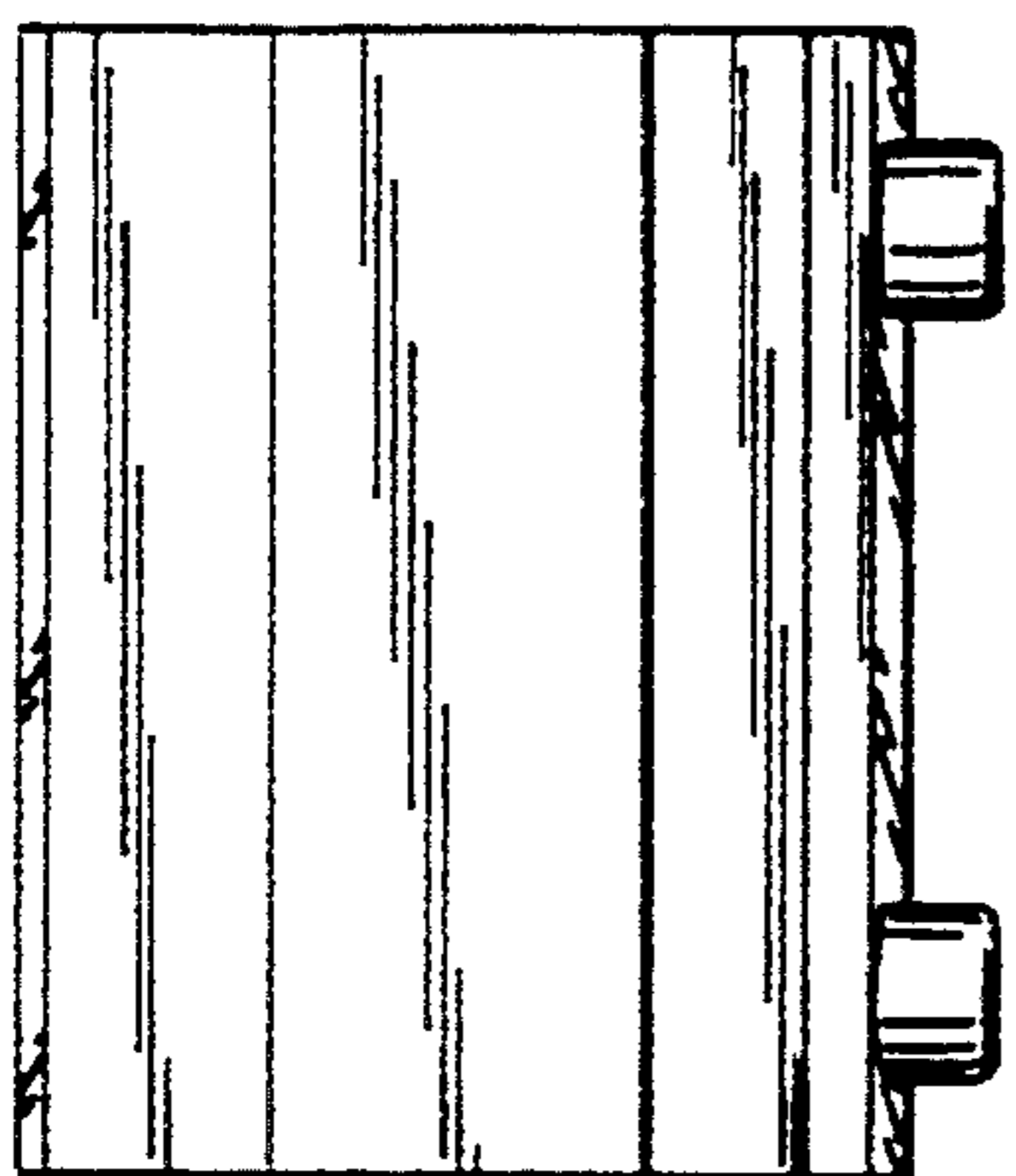


FIG. 7.

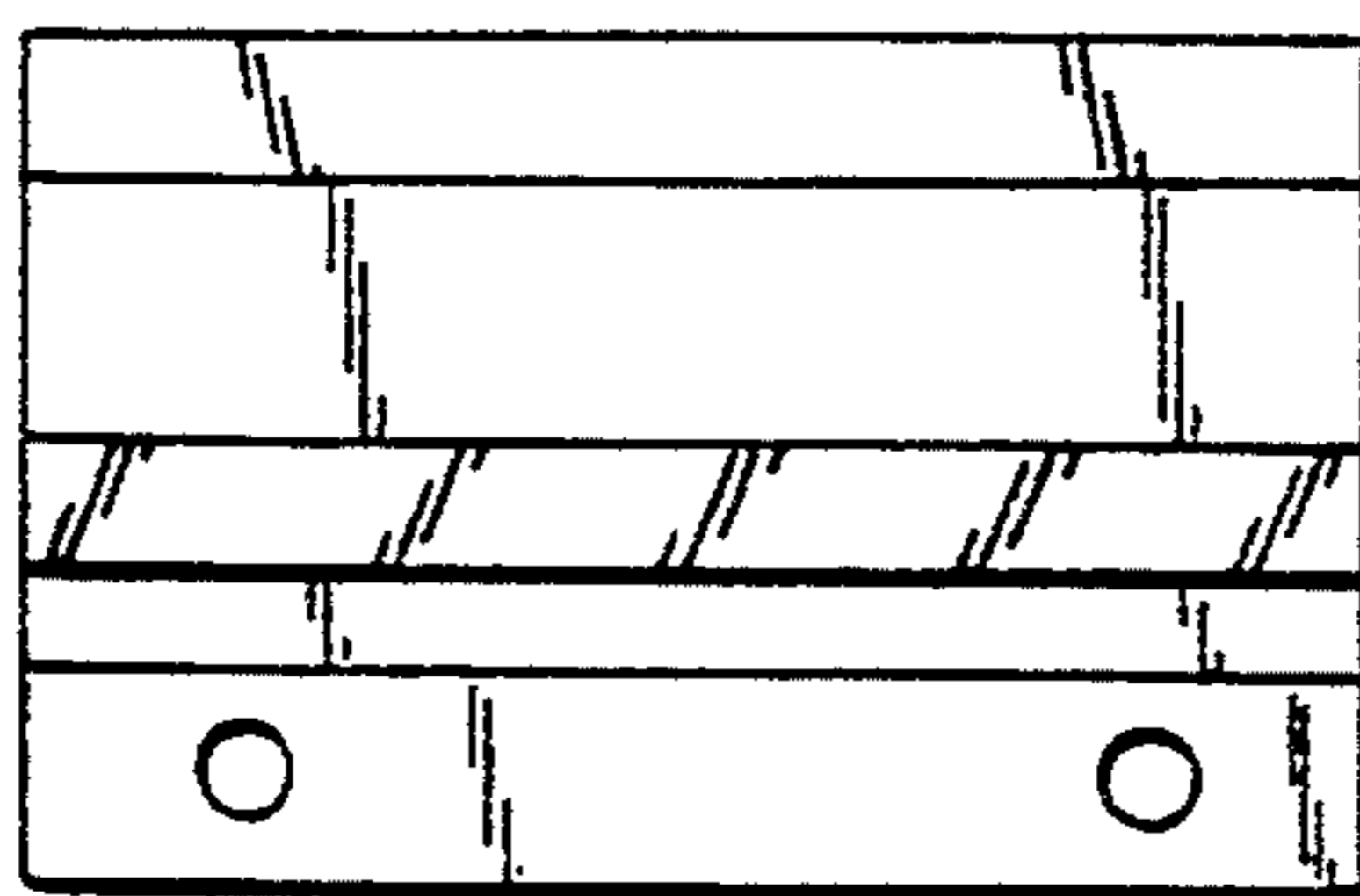


FIG. 6.