



US00D360247S

United States Patent [19]

[11] Patent Number: **Des. 360,247**

Trottier

[45] Date of Patent: **** Jul. 11, 1995**

[54] **EXERCISE MACHINE**

[76] Inventor: **Marc-André Trottier**, 521 Long,
Dorion Québec, Canada, J7V 1P2

[**] Term: **14 Years**

[21] Appl. No.: **23,064**

[22] Filed: **May 17, 1994**

[52] U.S. Cl. **D21/195**

[58] Field of Search D21/191, 195; 482/92,
482/93, 94, 95, 96, 97, 98, 123, 138

4,598,908 7/1986 Morgan 482/138
 4,804,179 2/1989 Murphy et al. 482/138
 4,815,746 3/1989 Ward, Jr. 482/94

Primary Examiner—Theodore M. Shooman
Assistant Examiner—Philip Hyder

[57] CLAIM

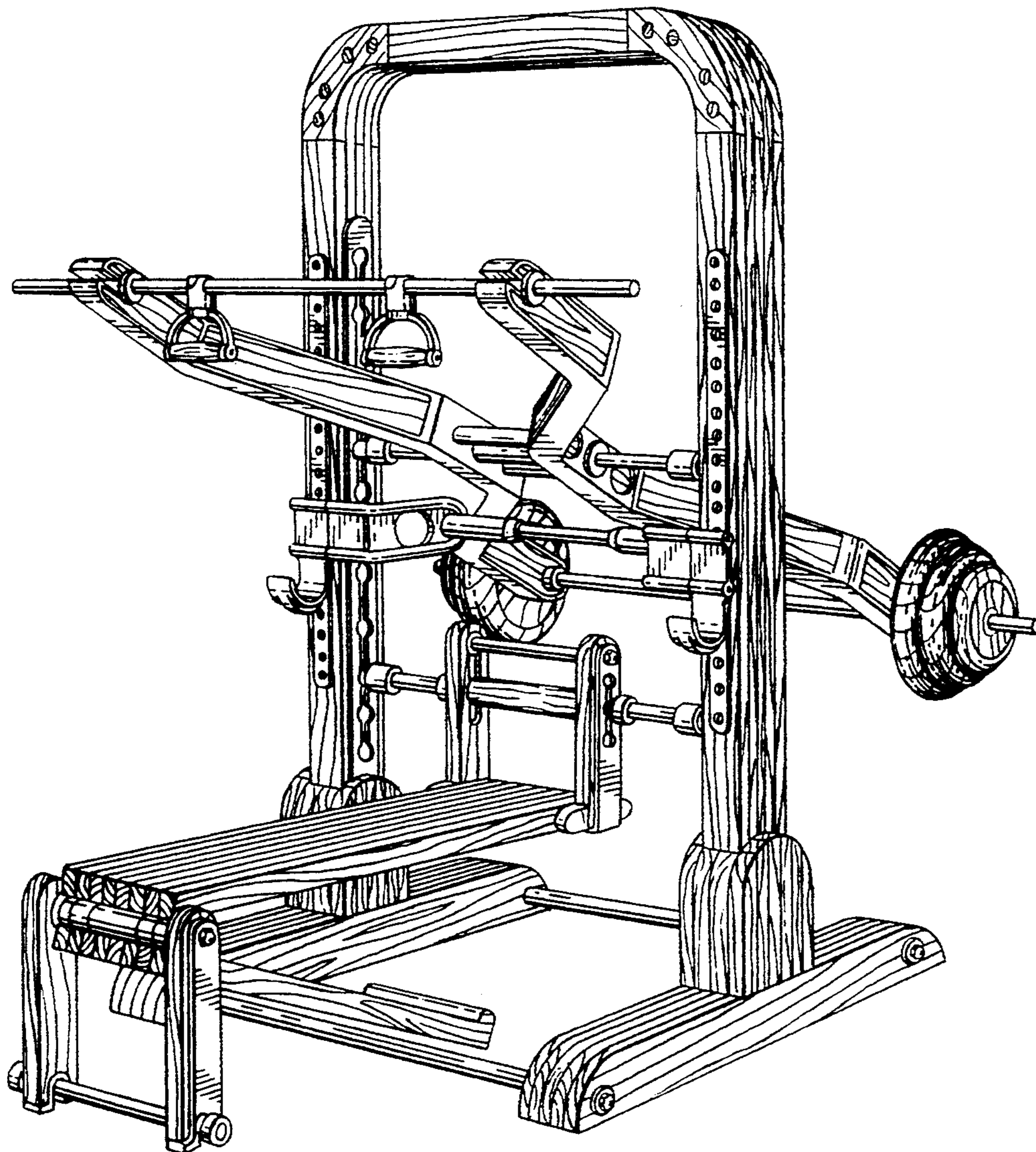
The ornamental design for an exercise machine, as shown and described.

DESCRIPTION

FIG. 1 is a perspective view of an exercise machine showing my new design;
 FIG. 2 is a front elevational view thereof;
 FIG. 3 is a rear elevational view thereof;
 FIG. 4 is a top plan view of thereof; and,
 FIG. 5 is a left side elevational view of the exercise machine; the right side elevational view being a mirror image thereof.

[56] **References Cited**
U.S. PATENT DOCUMENTS

D. 320,823	10/1991	Tanner	D21/191
321,388	6/1885	Ruebsam	D21/198
D. 352,536	11/1994	Byrd et al.	D21/195
3,524,644	8/1970	Kane	482/38
4,564,193	1/1986	Stewart	482/138



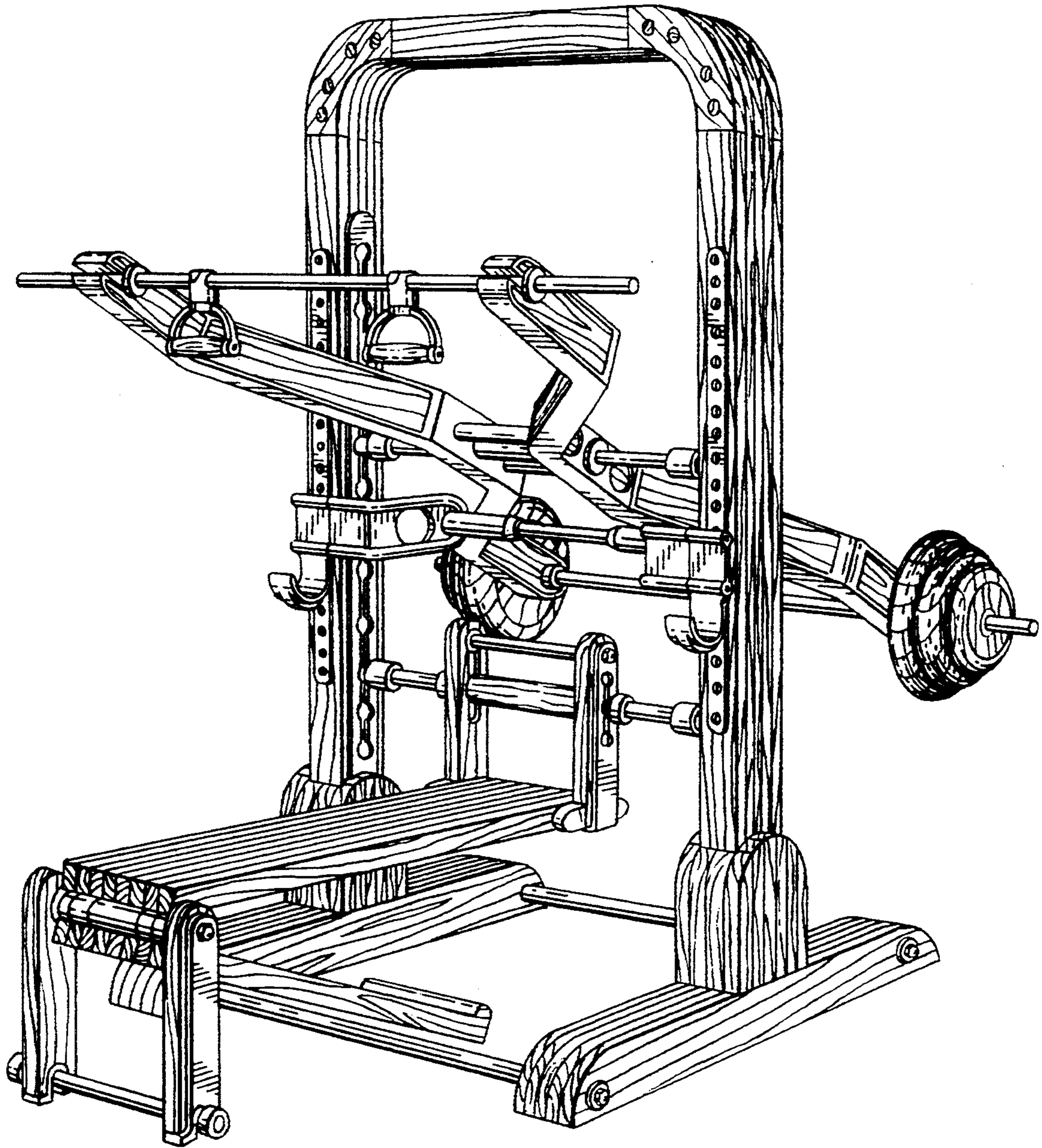


Fig. 1

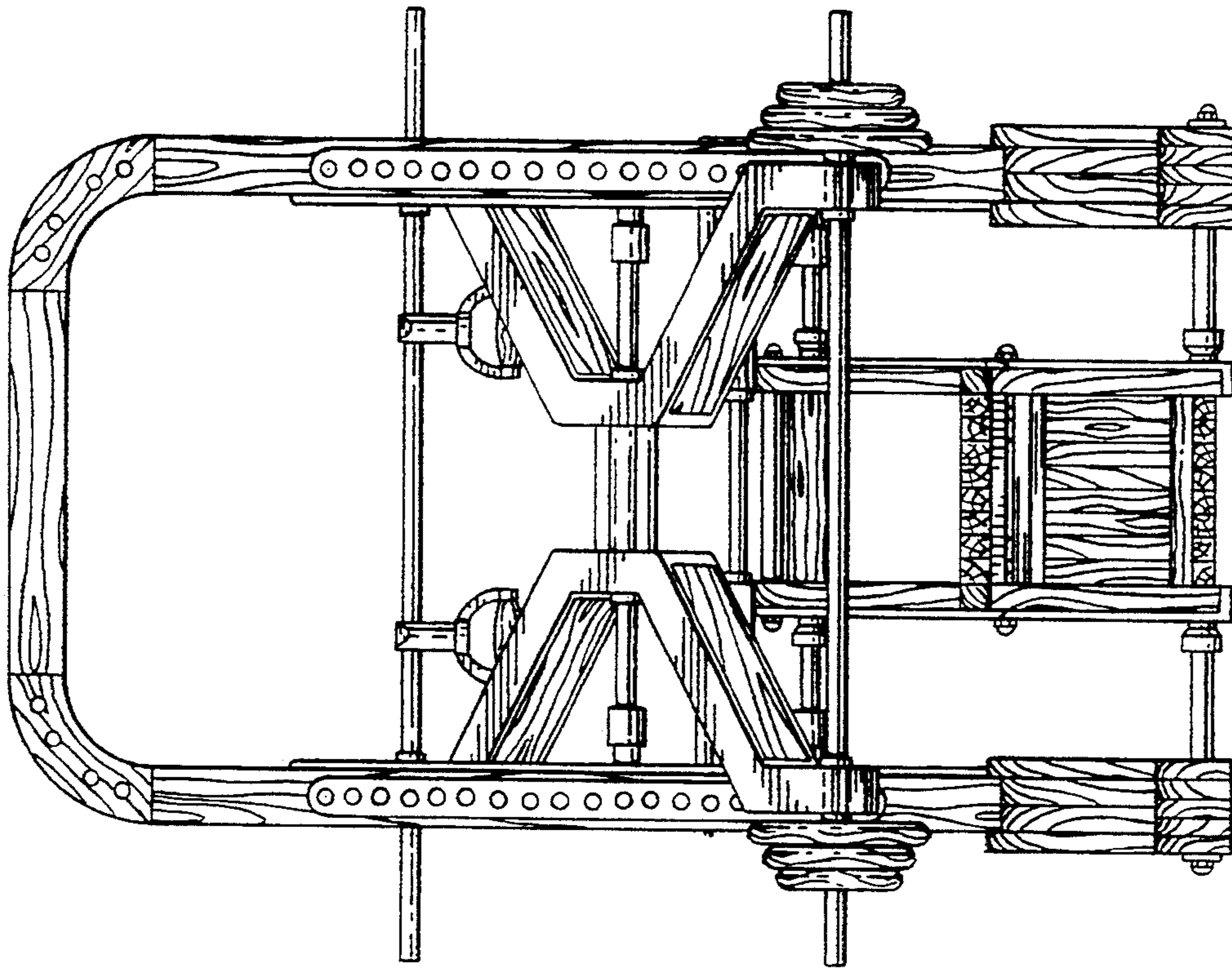


Fig. 3

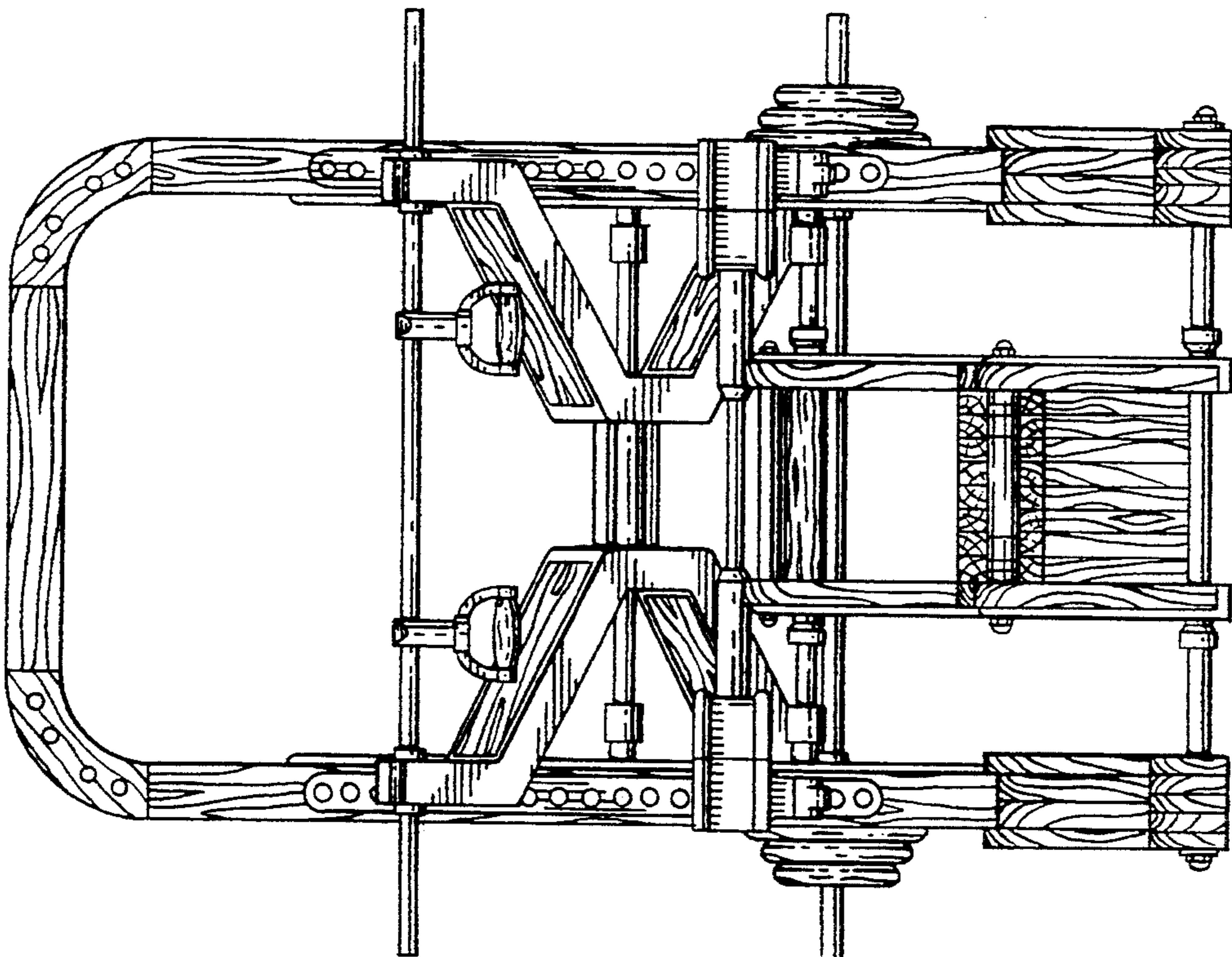


Fig. 2

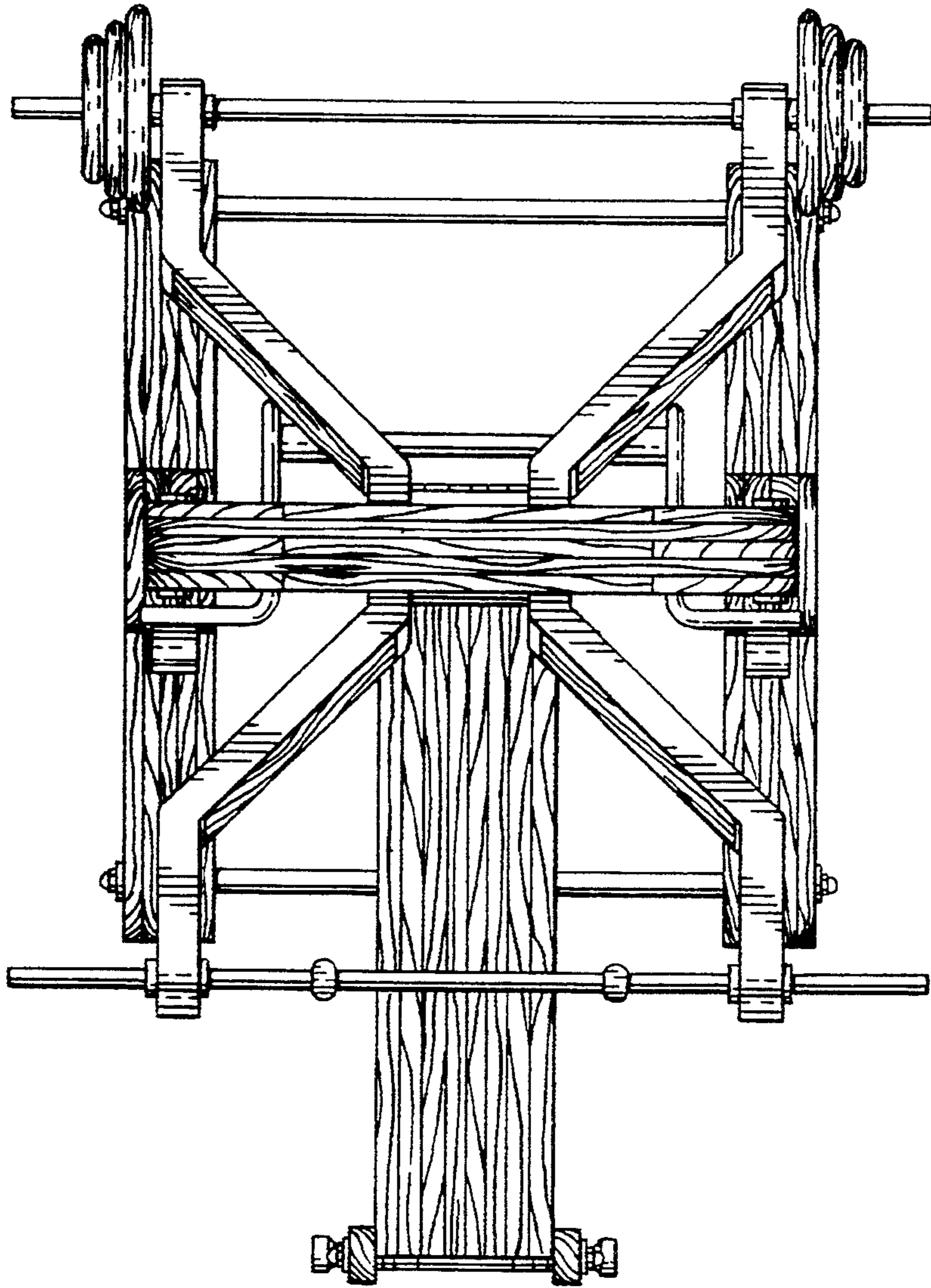


Fig. 4

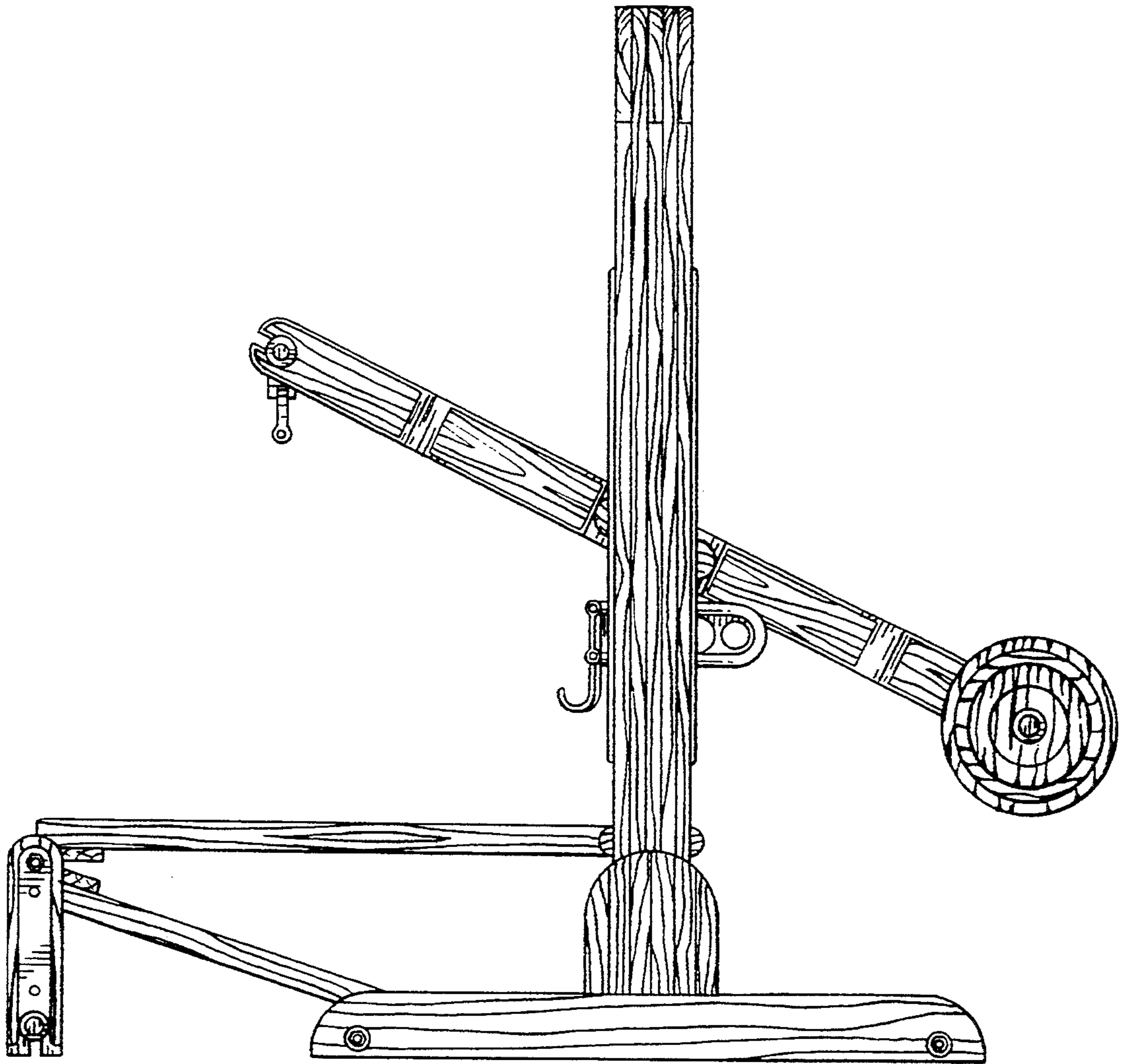


Fig. 5